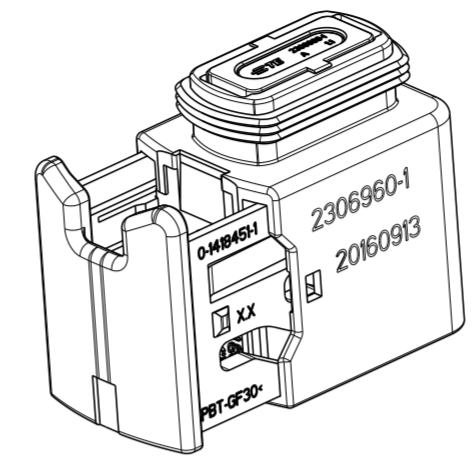
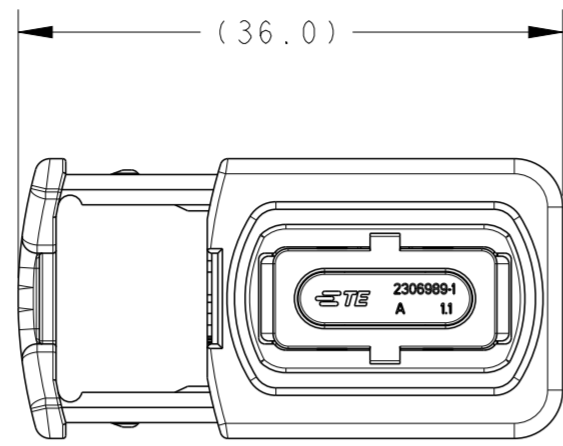


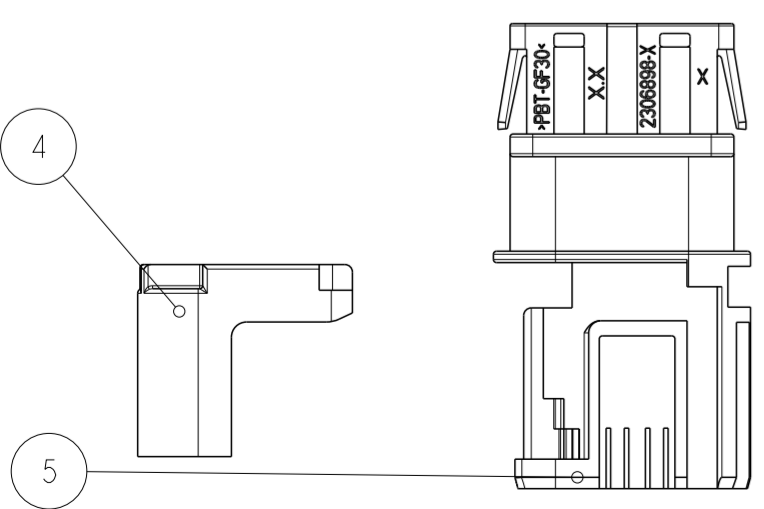
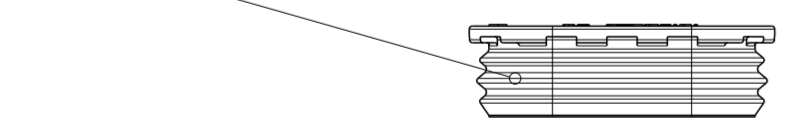
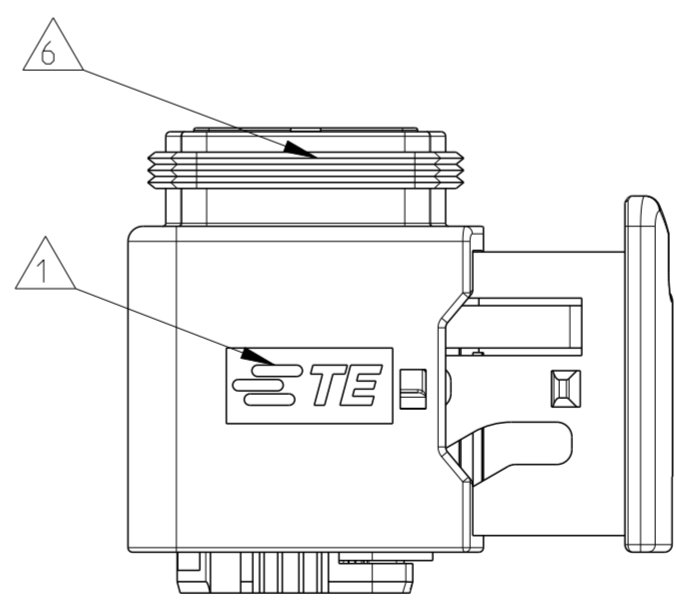
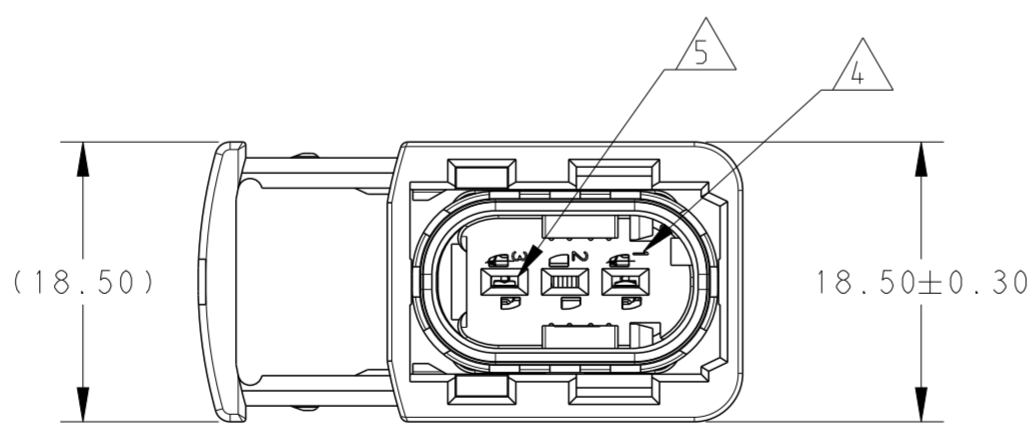
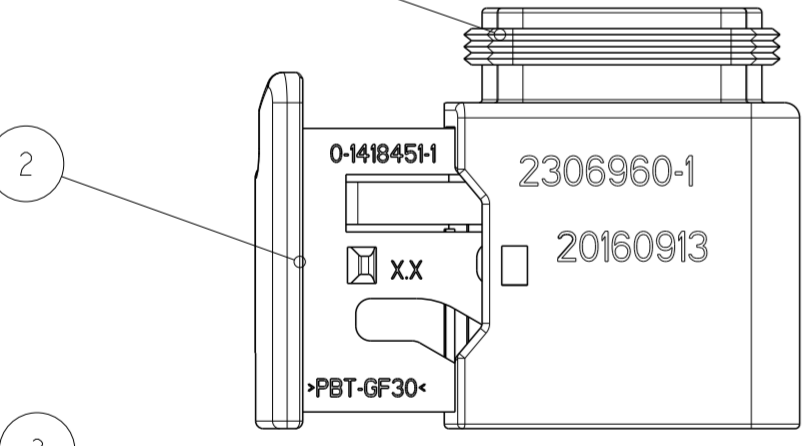
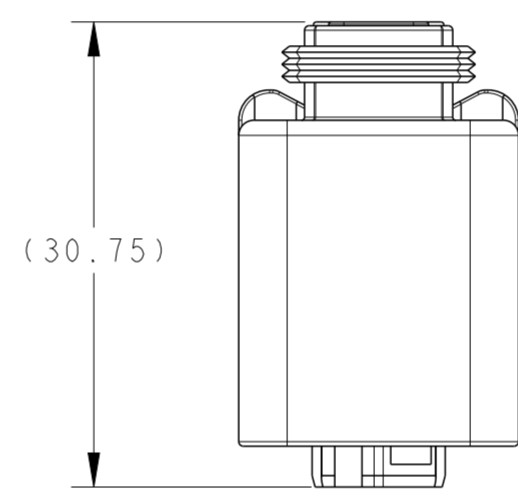
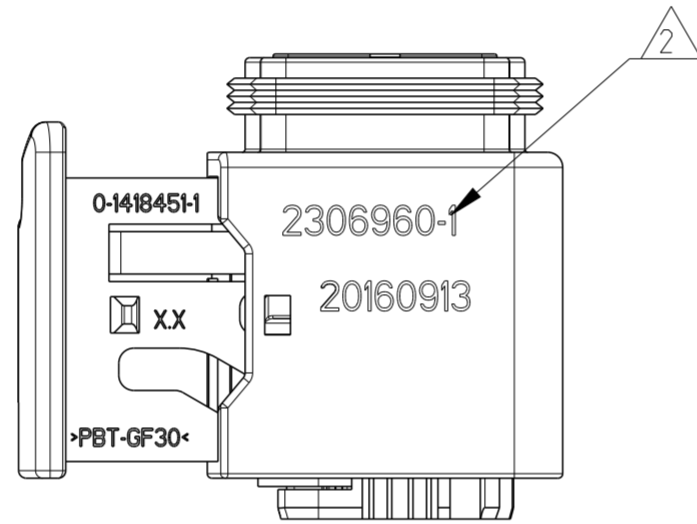
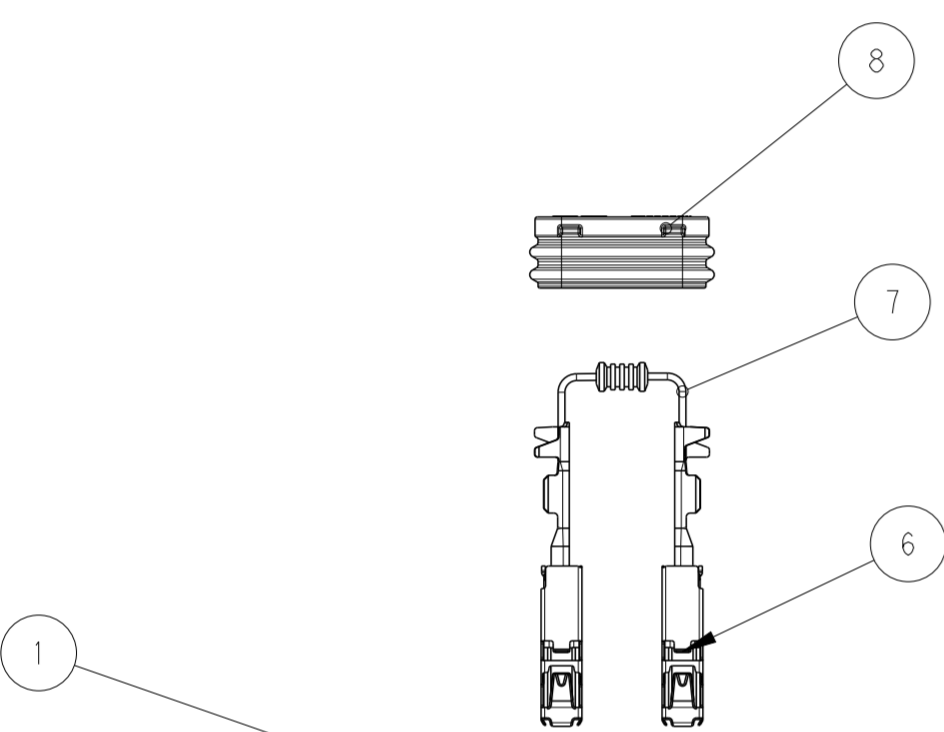
THIS DRAWING IS UNPUBLISHED. RELEASED FOR PUBLICATION 20
 © COPYRIGHT 20 BY - ALL RIGHTS RESERVED.

REVISIONS				
P	LTR	DESCRIPTION	DATE	APVD
A		INITIAL RELEASE	20JUL2017	C.W I.Y
A1		ECN-24-284298	11SEP2024	K.L Z.Z



NOTES

- 1 TE LOGO
- 2 LASER MARKING ASSY PN, PRODUCTION DATE (CALENDAR DAY/YEAR): OPTIONAL
- 3 BULK PACKAGING IN CORRUGATED BOX
- 4 CAVITY NUMBERING
- 5 CAVITIES MATED WITH AMP MCP 1.5k
SEE PRODUCT GROUP DRAWING
TE NO: 1241436
- 6 IN CASE OF IPX9K WATERPROOF GRADE APPLICATION. REFER TO DRAWING:
1670150, 1670365 FOR SUITABLE PROTECTIVE COVER.
- 7 FITS TO TE INTERFACE DRAWING 114-18743-1
- 8 SUITABLE COUNTERPART SEE DRAWING: 1670730, 1703843, 2278730
- 9 DELIVERY CONDITION: SECONDARY LOCKING IN LOCK POSITION AND SLIDE IN
PRE-LOCKED POSITION
- 10 RESISTOR CHARACTERISTICS: 120 OHMS±10%, AT 70°C, 0.4WATTS MIN.



Q'TY	COLOUR	MATERIAL	DESCRIPTION	ITEM NO
1	WHITE	SILICONE	CAVITY BLOCK CAP	8
1	-	-	120 ohm RESISTOR	7
2	-	Cu ALLOY	CONTACT	6
1	WHITE	PBT-GF30	3POS CAVITY BLOCK	5
1	YELLOW	PBT-GF30	3POS. SEC. LOCK	4
1	WHITE	SILICONE	2-3POS. SEAL	3
1	YELLOW	PBT-GF30	2-3POS. U-SLIDE	2
1	BLACK	PBT-GF30	2-3POS. REC. HSG	1
2306960-1 PART NUMBER OF ASS'Y				
A PRODUCT VERSION				
11.80 WEIGHT OF ASS'Y PART				

THIS DRAWING IS A CONTROLLED DOCUMENT.		DWN C. WAN 09OCT2017	TE Connectivity	
DIMENSIONS: mm		CHK E. JIANG 09OCT2017		
TOLERANCES UNLESS OTHERWISE SPECIFIED:		APVD I. YIN 09OCT2017	NAME HDSCS WITH 120ohms RESISTOR	
0 PLC ±		PRODUCT SPEC	SIZE	
1 PLC ±0.5		APPLICATION SPEC	CAGE CODE	
2 PLC ±0.25			DRAWING NO	
3 PLC ±			RESTRICTED TO	
4 PLC ±			A200779C-2306960	
ANGLES ±		WEIGHT	SCALE	
FINISH		11.8g	2:1	
		CUSTOMER DRAWING	SHEET 1 OF 1	
			REV A1	