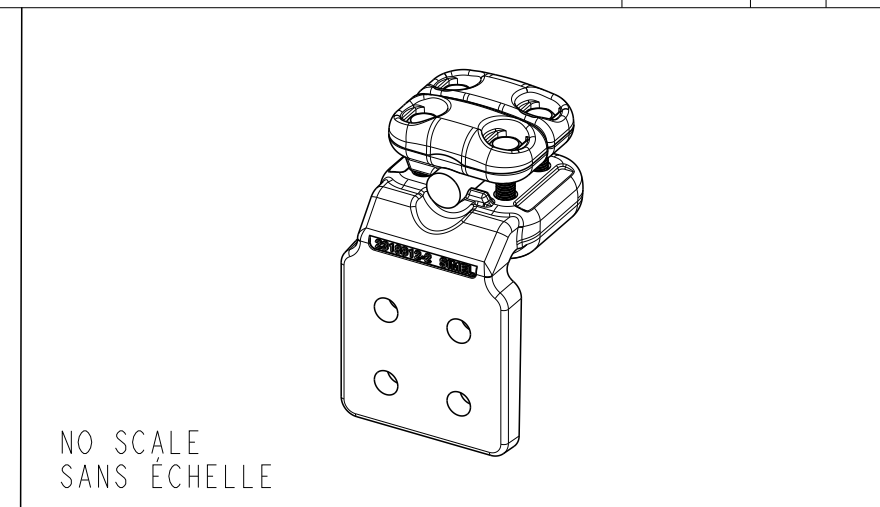
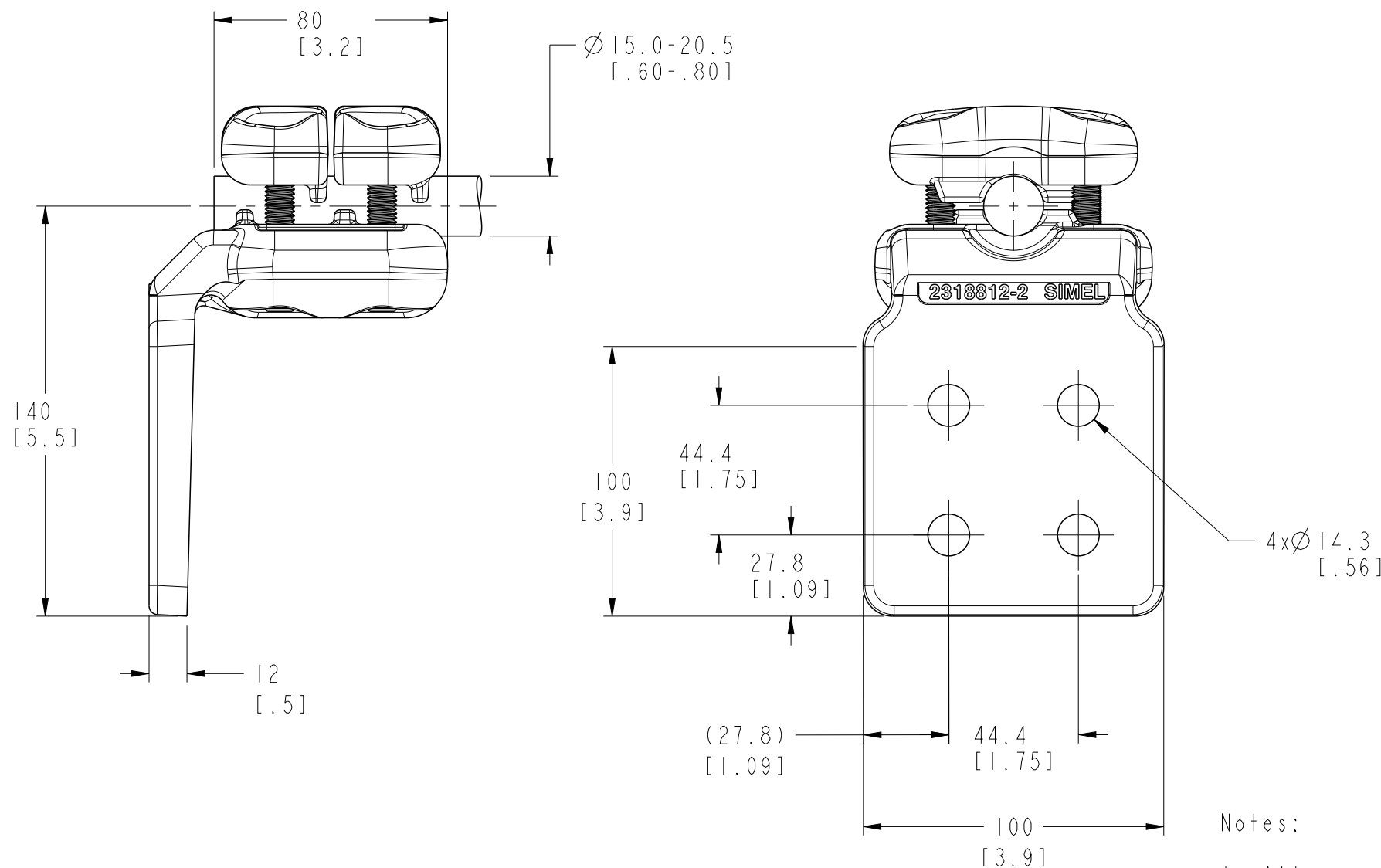


P	LTR	DESCRIPTION	DATE	DWN	APVD
A		INITIAL REL. PER LC20-0109-20	08DEC2020	BM	MP
B		PAD THICKNESS CORRECTED	16NOV2021	RS	MP



Notes:

- All connector bolts are M10 A2 stainless steel.  
M10 bolts to be tightened to 37Nm / 27.3ft-lb torque.

Tous les boulons de connecteur sont en acier inoxydable A2 M10.  
Boulons M10 à serrer au couple de 37Nm / 27.3ft-lb.

2306935-1  
PART NO.

THIS DRAWING IS A CONTROLLED DOCUMENT.		DWN BHARATH B M 08DEC2020	TE Connectivity														
DIMENSIONS: mm[inch]		CHK J. GUPPY 08DEC2020															
TOLERANCES UNLESS OTHERWISE SPECIFIED:		APVD M. PREVOT 08DEC2020	NAME 90° CONNECTOR FOR SINGLE CONDUCTOR TO PALM RACCORD EQUERRE FAISCEAU SIMPLE SUR PLAGE														
		PRODUCT SPEC 108-69069-001	5 PE 82 S205 100 C290														
<table border="0"> <tr> <td>0 PLC</td> <td>±</td> </tr> <tr> <td>1 PLC</td> <td>±</td> </tr> <tr> <td>2 PLC</td> <td>±</td> </tr> <tr> <td>3 PLC</td> <td>±</td> </tr> <tr> <td>4 PLC</td> <td>±</td> </tr> <tr> <td>ANGLES</td> <td>±</td> </tr> </table>		0 PLC	±	1 PLC	±	2 PLC	±	3 PLC	±	4 PLC	±	ANGLES	±	APPLICATION SPEC -	SIZE A3	CAGE CODE 00779	DRAWING NO C-2306935-1
0 PLC	±																
1 PLC	±																
2 PLC	±																
3 PLC	±																
4 PLC	±																
ANGLES	±																
MATERIAL -		FINISH -	WEIGHT 1.7 kg/3.7 lbs	RESTRICTED TO -													
		CUSTOMER DRAWING	SCALE 1:2	SHEET 1 OF 1	REV B												