

THIS DRAWING IS UNPUBLISHED.

RELEASED FOR PUBLICATION

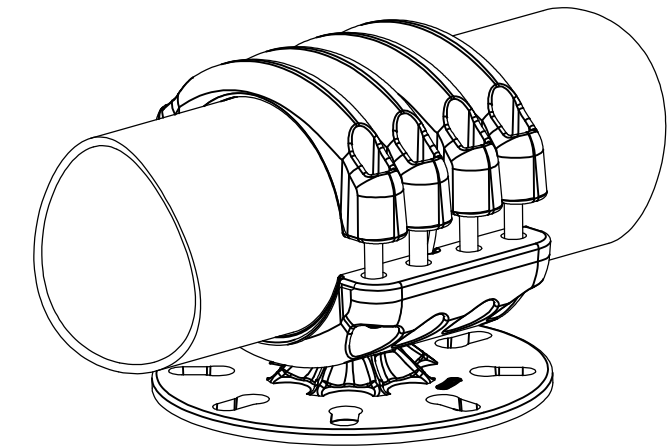
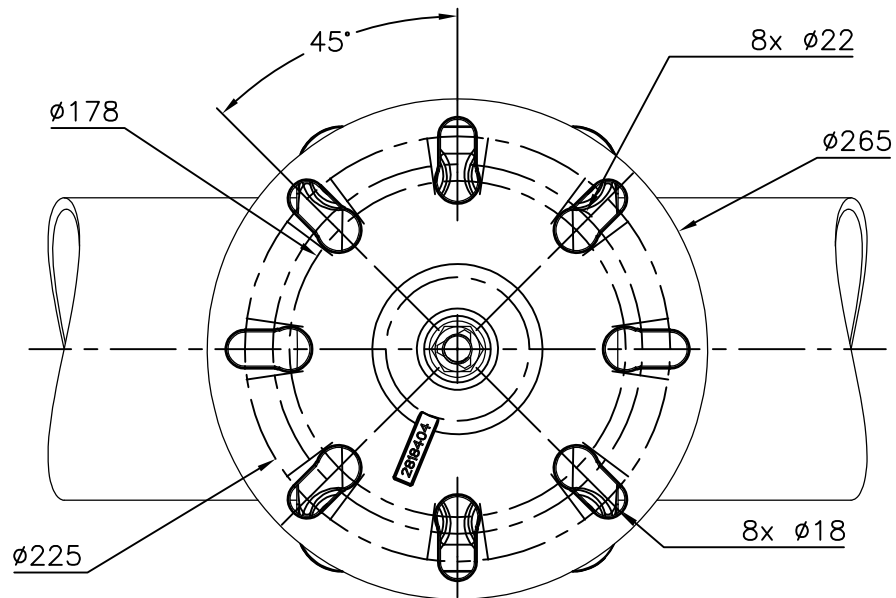
-. - .

REVISIONS

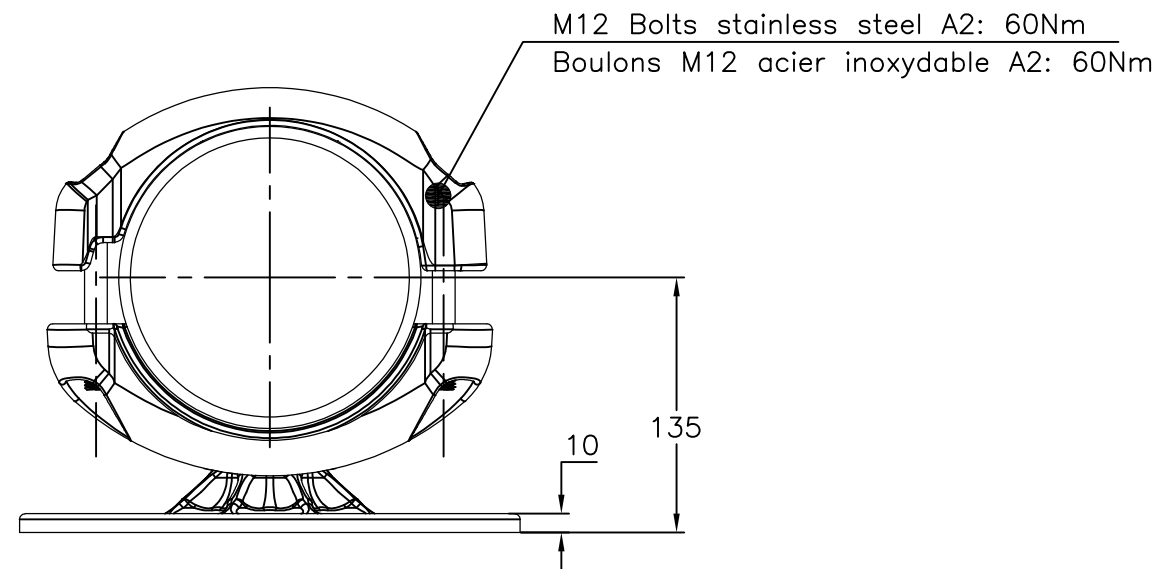
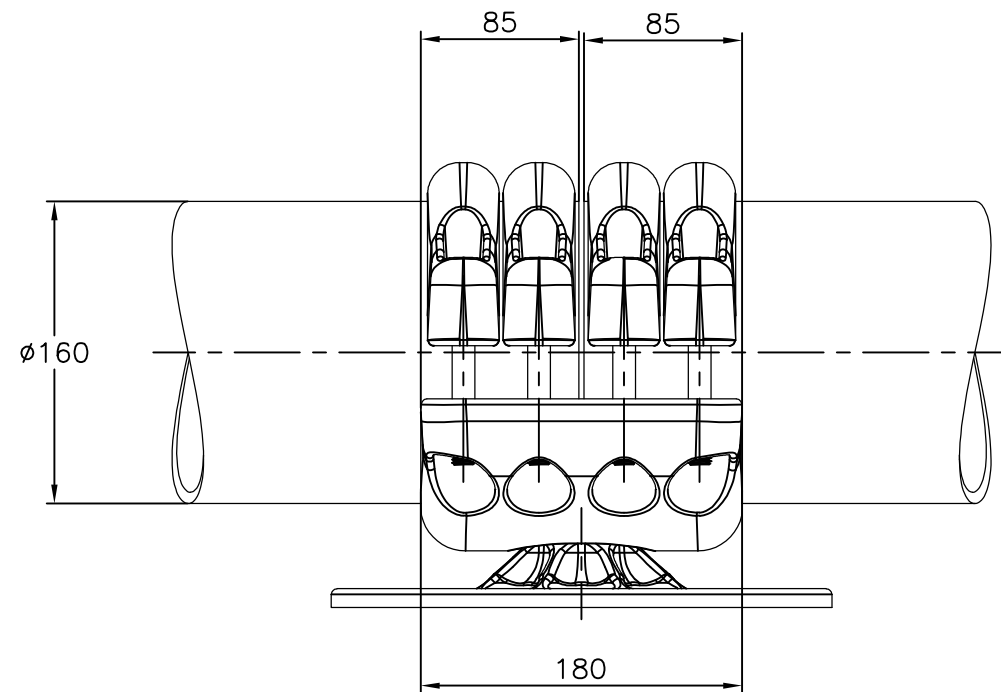
© COPYRIGHT - By -

ALL RIGHTS RESERVED.

P	LTR	DESCRIPTION	DATE	DWN	APVD
	A	CREATION	08-Jul-16	GL	-



No scale
Sans échelle



ITEM:.....

THIS DRAWING IS A CONTROLLED DOCUMENT.

DWN LAFORGE 22-Jul-16

CHK -

APVD -

PRODUCT SPEC

108-69090-001

APPLICATION SPEC

-

APPROX.WEIGHT 7.3 kg

CUSTOMER DRAWING



BUSBAR JUNCTION SUPPORT ON BPI
SUPPORT JONCTION TUBE SUR ISO
5 TJ 82 P7-P225 T160

NAME	SIZE	CAGE CODE	DRAWING NO	RESTRICTED TO
	A3	00779	C=2306535	-

DIMENSIONS:	TOLERANCES UNLESS OTHERWISE SPECIFIED:
mm	
0 PLC	± -
1 PLC	± -
2 PLC	± -
3 PLC	± -
4 PLC	± -
ANGLES	± -
FINISH	-

MATERIAL -

SCALE 1:4	SHEET 1 OF 1	REV A
-----------	--------------	-------