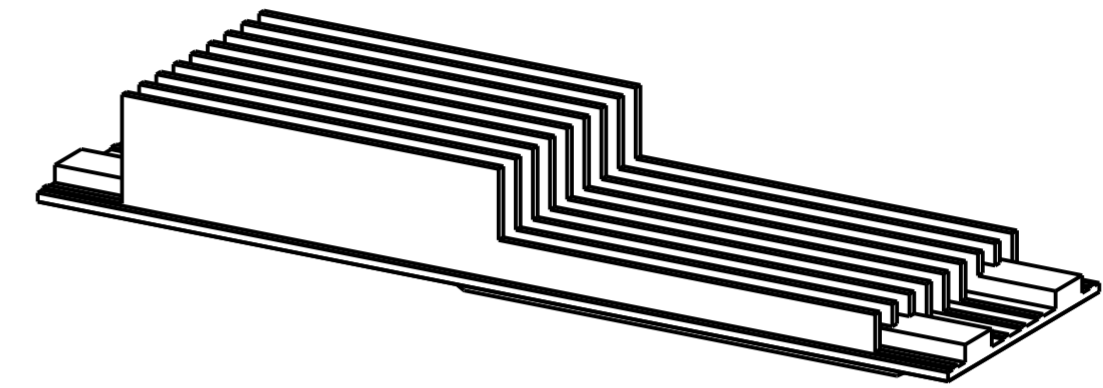
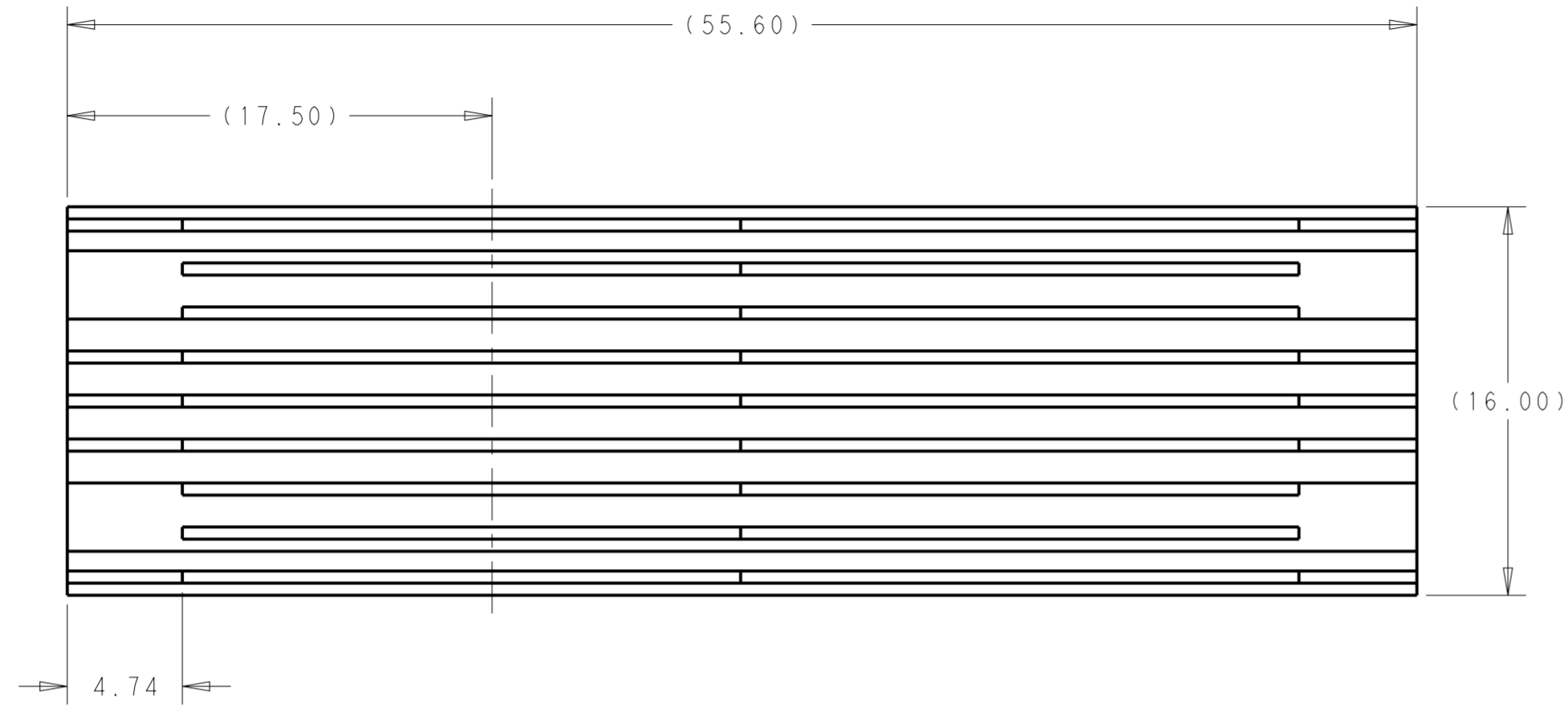
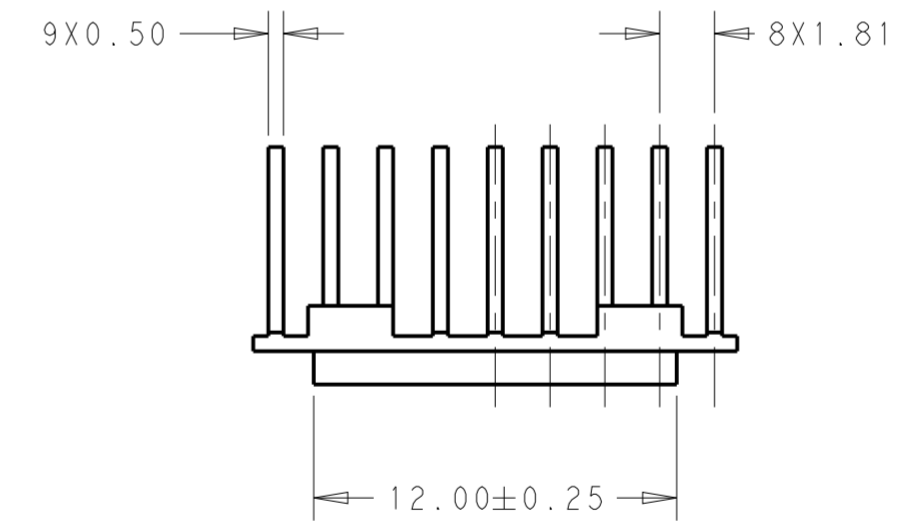
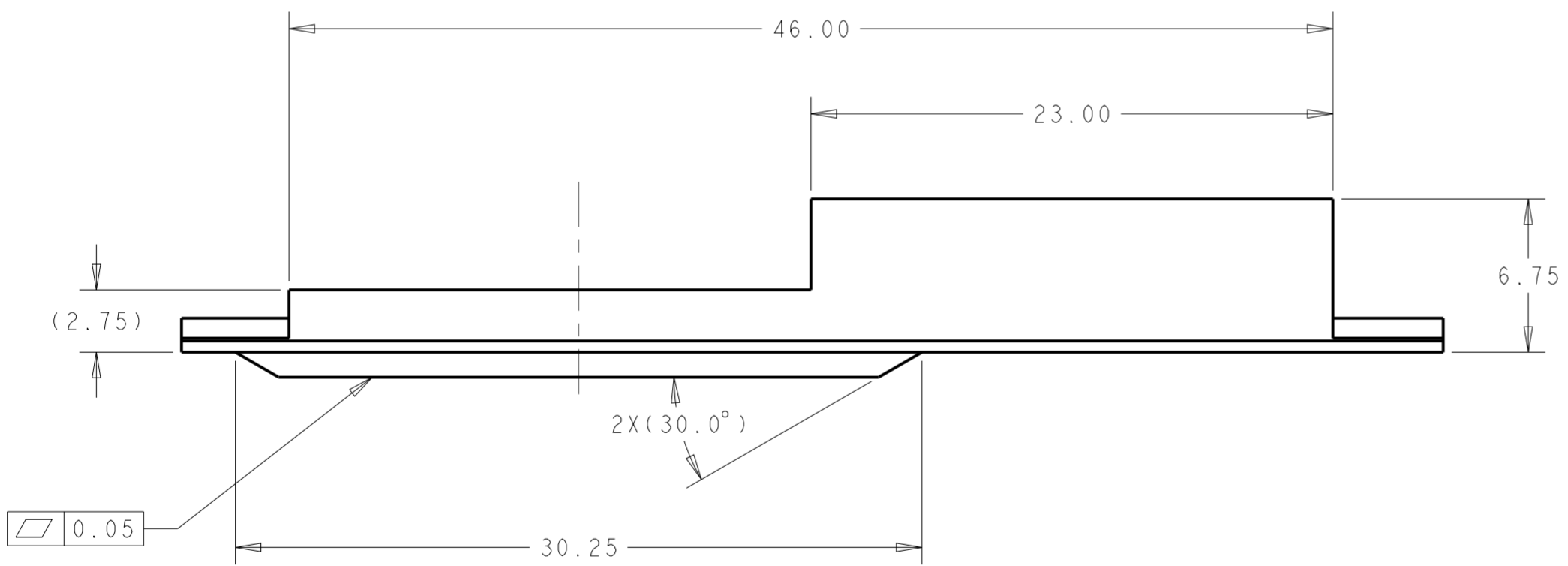


THIS DRAWING IS UNPUBLISHED. RELEASED FOR PUBLICATION 20
 © COPYRIGHT 20 BY - ALL RIGHTS RESERVED.

| REVISIONS | | | | | |
|-----------|-----|---------------------------|-----------|-----|------|
| P | LTR | DESCRIPTION | DATE | DWN | APVD |
| A | | INITIAL RELEASE | 13MAR2017 | LL | SH |
| B | | REVISED PER ECO-17-012282 | 22AUG2017 | TX | SH |
| C | | REVISED PER ECO-18-005125 | 02APR2018 | TX | SH |
| D | | REVISED PER ECO-18-020051 | 24DEC2018 | TX | SH |



1-2304280-3
SCALE 5:2



0.05

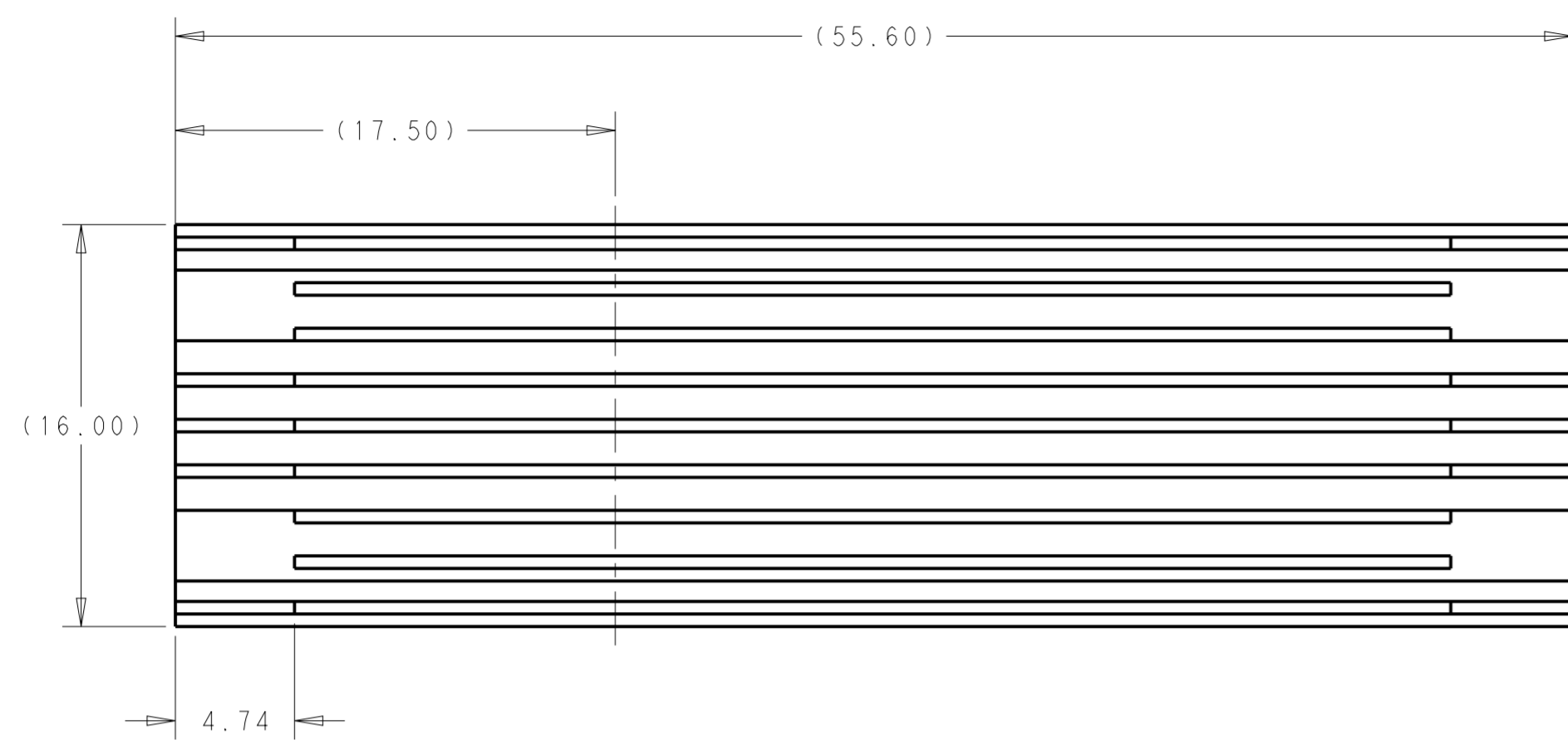
- NOTES:
1. INTERPRET DRAWING PER ASME Y14.5M-1994.
 2. FINISH: ELECTROLESS NICKEL
 3. FINISH: ANODIZED BLACK
 4. 0.2mm MAX BURR PERMISSIBLE.
 5. VARIATION IN PLATING COLOR IS NORMAL AND ALLOWED

| | |
|--------|-------------|
| 3 | 1-2304280-3 |
| FINISH | PART NUMBER |

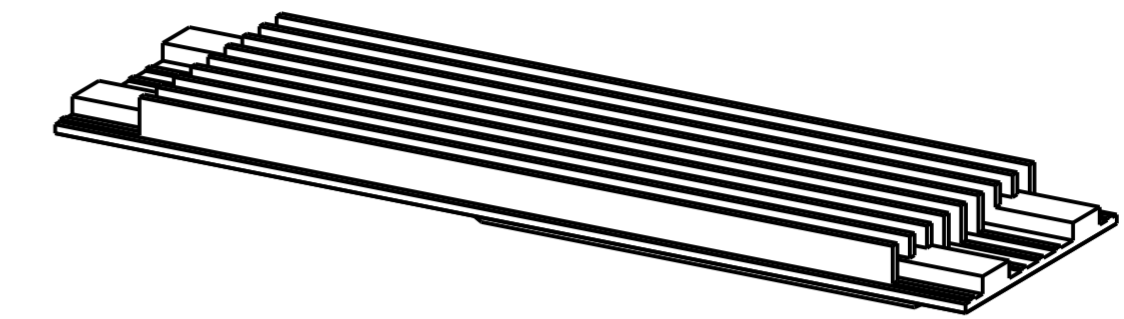
| | | | | | | |
|--|---------------|------------------|----------|-----------|------------------|---------------|
| THIS DRAWING IS A CONTROLLED DOCUMENT. | | DWN | LEO LI | 09NOV2016 | TE Connectivity | |
| DIMENSIONS: mm | | CHK | SEAN HAN | 09NOV2016 | NAME | |
| TOLERANCES UNLESS OTHERWISE SPECIFIED: | | APVD | SEAN HAN | 09NOV2016 | ZQSFP+ HEAT SINK | |
| 0 PLC ± | 1 PLC ±0.3 | PRODUCT SPEC | - | | | |
| 2 PLC ±0.25 | 3 PLC ±0.1 | APPLICATION SPEC | - | | | |
| 4 PLC ± | ANGLES ± | WEIGHT | - | | | |
| FINISH | - | SCALE | 4:1 | SHEET | 1 OF 2 | REV D |
| MATERIAL | TBD | CUSTOMER DRAWING | | SIZE | A200779 | DRAWING NO |
| material_2 | finish_spec_2 | CAGE CODE | | C-2304280 | | RESTRICTED TO |

THIS DRAWING IS UNPUBLISHED. RELEASED FOR PUBLICATION 20
 © COPYRIGHT 20 BY - ALL RIGHTS RESERVED.

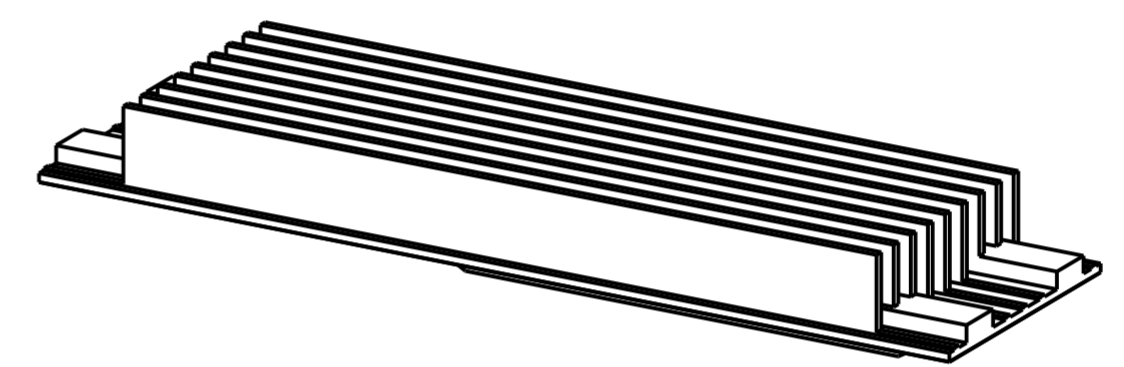
| REVISIONS | | | | | |
|-----------|-----|-------------|------|-----|------|
| P | LTR | DESCRIPTION | DATE | DWN | APVD |
| - | | SEE SHEET 1 | - | - | - |
| | | | | | |
| | | | | | |



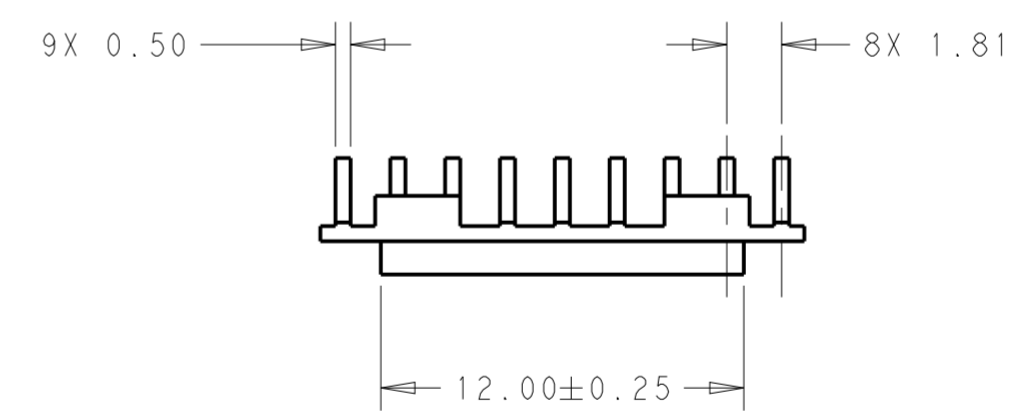
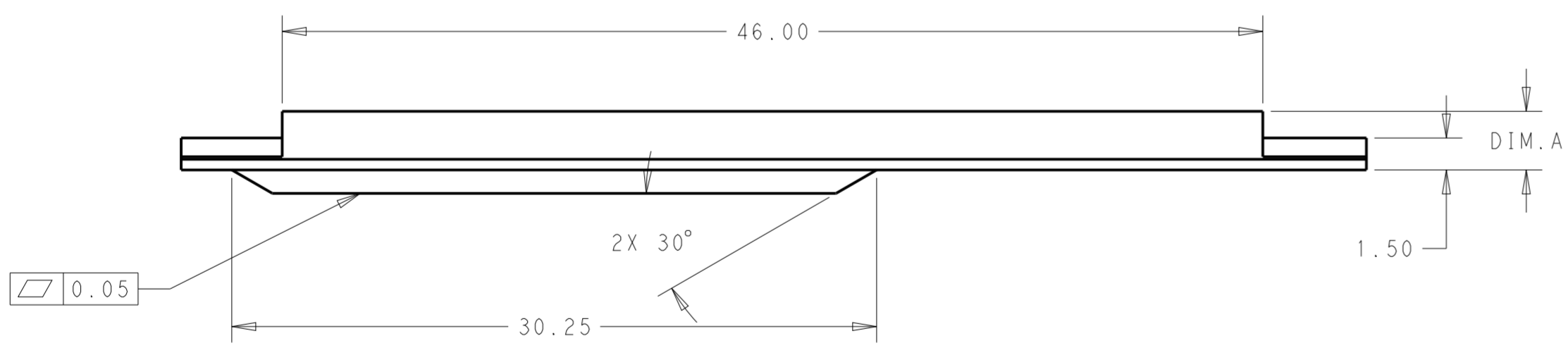
1-2304280-4
SCALE 4:1



1-2304280-4
SCALE 5:2



1-2304280-8
SCALE 5:2



| | | |
|-------|--------|-------------|
| 5.00 | 3 | 1-2304280-8 |
| 2.75 | 3 | 1-2304280-4 |
| DIM.A | FINISH | PART NUMBER |

| | | | | |
|--|---------------|-------------------------|---|--|
| THIS DRAWING IS A CONTROLLED DOCUMENT. | | DWN LEO LI 09NOV2016 | STE TE Connectivity | |
| DIMENSIONS: mm | | CHK SEAN HAN 09NOV2016 | | |
| TOLERANCES UNLESS OTHERWISE SPECIFIED: | | APVD SEAN HAN 09NOV2016 | NAME ZQSFP+ HEAT SINK | |
| 0 PLC ± | | PRODUCT SPEC | SIZE CAGE CODE DRAWING NO RESTRICTED TO | |
| 1 PLC ±0.3 | | APPLICATION SPEC | A200779 C-2304280 | |
| 2 PLC ±0.25 | | WEIGHT | SCALE 4:1 SHEET 2 OF 2 REV D | |
| 3 PLC ±0.1 | | | | |
| 4 PLC ± | | | | |
| ANGLES ± | | | | |
| FINISH | | | | |
| MATERIAL TBD | finish_spec_2 | CUSTOMER DRAWING | | |