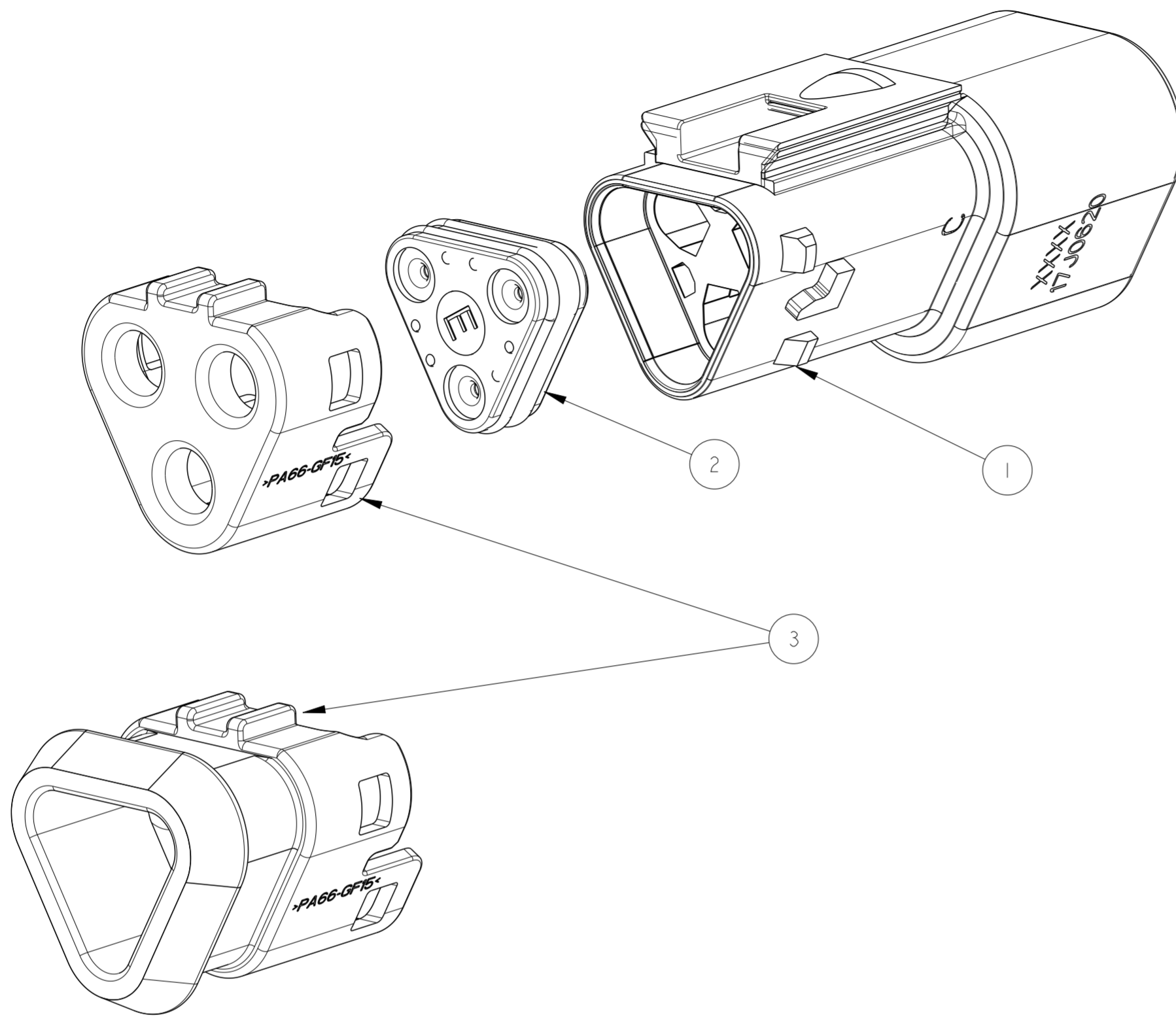


THIS DRAWING IS UNPUBLISHED. RELEASED FOR PUBLICATION  
 © COPYRIGHT copyright.d8te- ALL RIGHTS RESERVED.

REVISIONS				
P	LTR	DESCRIPTION	DATE	APVD
A		INITIAL RELEASE	08AUG2017	C.W I.Y
B		REVISED PER PCN E-19-014633	11FEB2019	AK NS



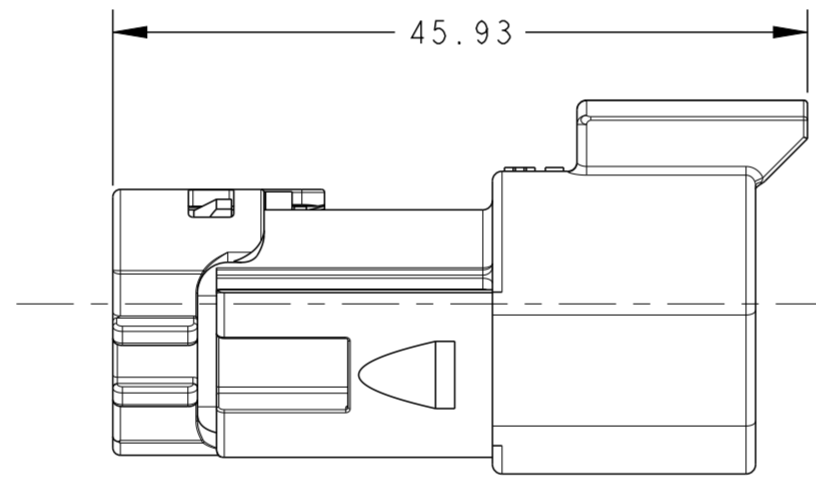
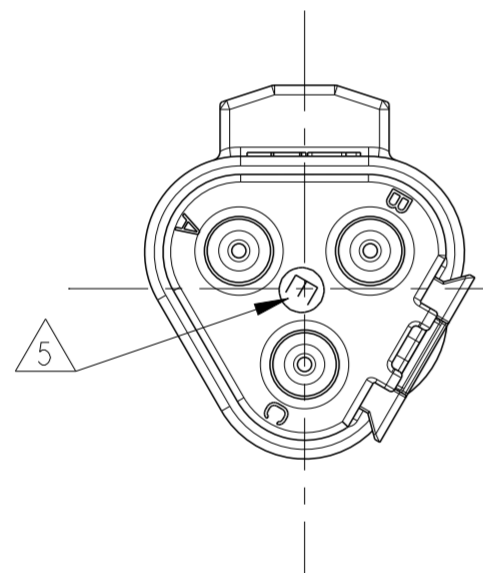
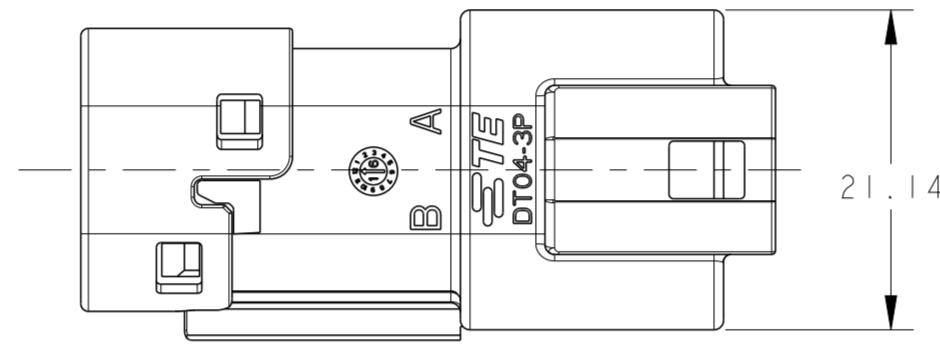
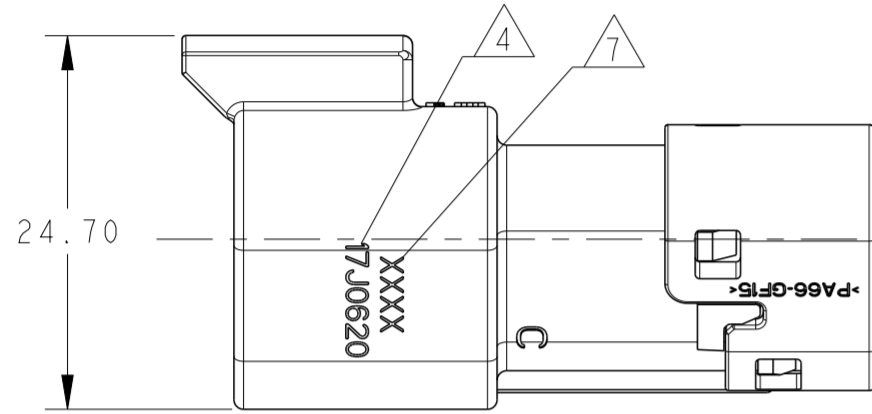
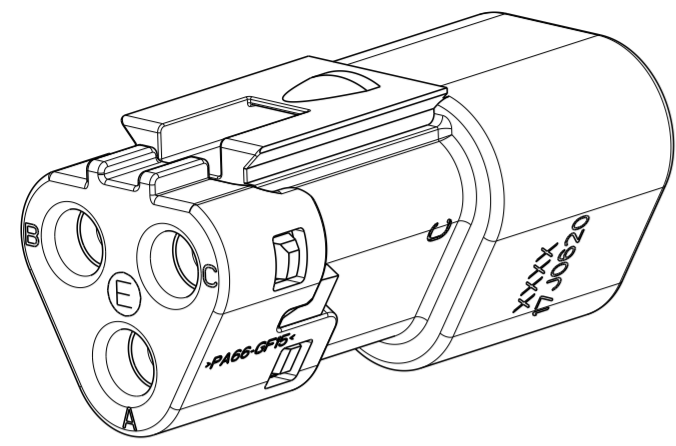
NOTES:

- SECONDARY WEDGE LOCK SOLD SEPARATELY: W3P-XXXX.  
(X = A,B,C,D KEY, XXXX = ALL MODIFICATIONS)
- THIS RECEPTACLE MATES WITH DT06-3S-XXXX PLUG.  
(XXXX = ALL MODIFICATIONS)
- MATERIAL: HOUSING: PA66 GF15, SEE TABLE FOR COLOR  
GROMMET: VMQ SEE TABLE FOR COLOR
- DATE CODE: IDENTIFIES THE YEAR, MONTH, DAY AND HOUR OF ASSEMBLY.  
YEAR: FIRST AND SECOND DIGITS. (17 = 2017)  
MONTH: THIRD DIGIT, EXCLUDING I. A = JAN, B = FEB,  
C = MARCH ... (K = OCTOBER)  
DAY: FOURTH AND FIFTH DIGITS (14 = 14th DAY)  
HOUR: SIXTH AND SEVENTH DIGITS (11 = 11AM)
- "E" IDENTIFIES E-SEAL.
- FOR CONTACTS AND WIRE PERFORMANCE AND APPLICATION CHARACTERISTICS SEE CUSTOMER DRAWING 0425-015-0000.
- XXXX IDENTIFIES THE MODIFICATION NUMBER, IF APPLICABLE. EXAMPLE: "TB31" FOR DT04-3P-TB31.

CONTACT SIZE	WIRE RANGE	SEALING RANGE	SEAL IDENTIFICATION
#16	14-20AWG (2.5-0.5mm <sup>2</sup> )	.088-.145 [2.23-3.68]	STANDARD SEAL N-SEAL
		.053-.120 [1.35-3.05]	EXTRA THIN SEAL E-SEAL

THIS DRAWING IS A CONTROLLED DOCUMENT.		DWN C. WAN 15OCT2017	TE Connectivity	
DIMENSIONS: mm		CHK E. JIANG 15OCT2017		
TOLERANCES UNLESS OTHERWISE SPECIFIED:		APVD I. YIN 15OCT2017	NAME -	
0 PLC ±		PRODUCT SPEC	DT SERIES, SNAP CAPS	
1 PLC ±0.64		108-151009	3 WAY RECEPTACLE, DT04-3P-TXXX	
2 PLC ±0.64		APPLICATION SPEC	SIZE	CAGE CODE
3 PLC ±		114-151009	A2	-
4 PLC ±		WEIGHT	DRAWING NO	
ANGLES ±		SEE TABLES	C-2303813	
FINISH		CUSTOMER DRAWING	SCALE	SHEET
3			1:1	1 OF 2
				REV B

THIS DRAWING IS UNPUBLISHED. RELEASED FOR PUBLICATION  
 © COPYRIGHT copyright.d8Te- ALL RIGHTS RESERVED.



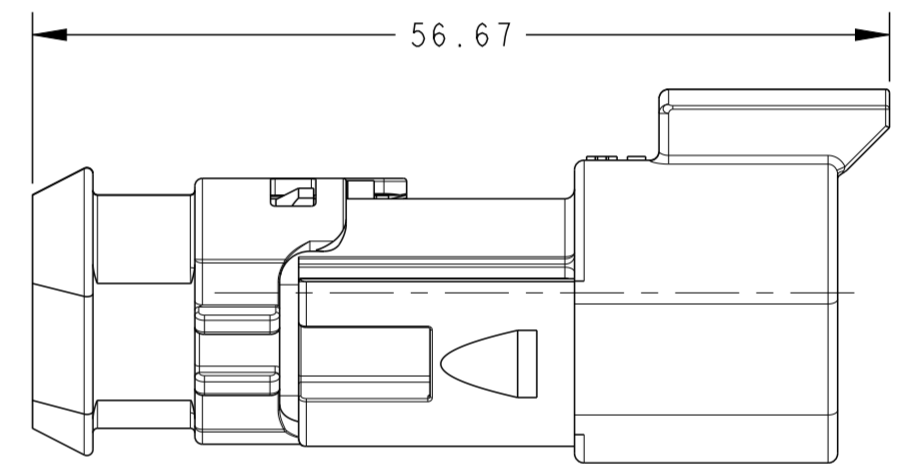
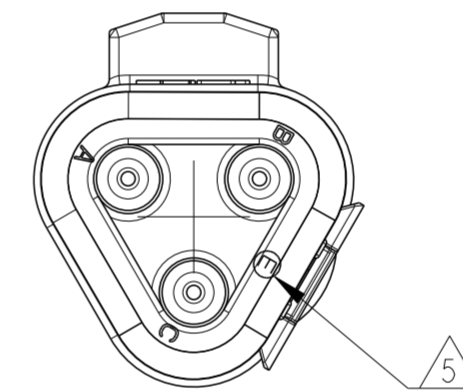
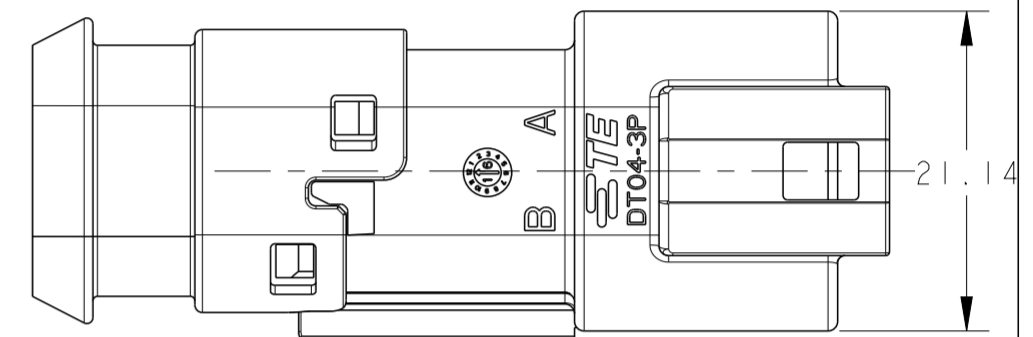
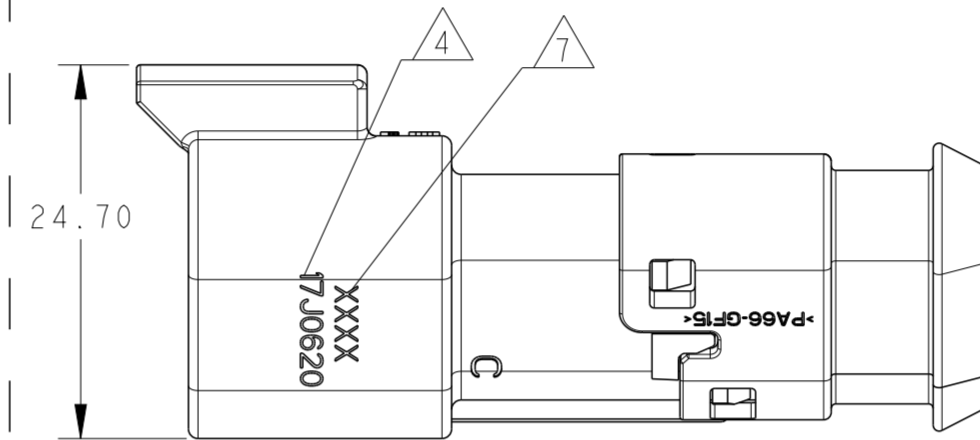
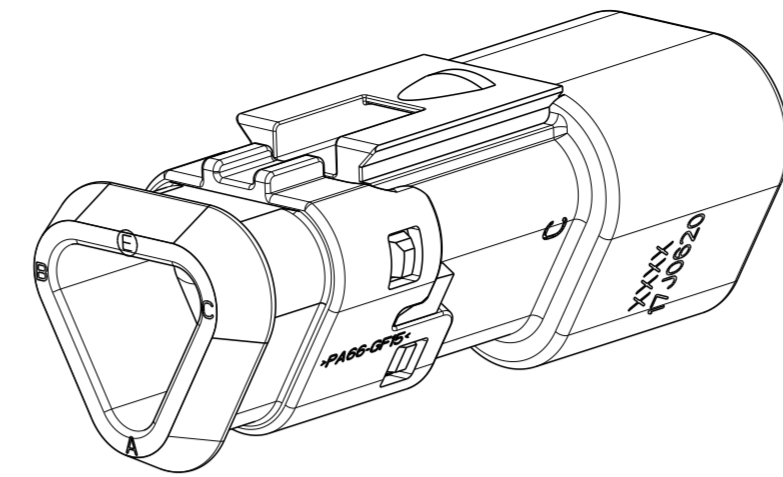
SCALE 2:1

5

5

1	1	1	1	GREY	PA66-GF15	STD CAP	3
				BLACK	PA66-GF15	STD CAP	
1			1	ORANGE	VMQ	GROMMET, BLOCKED	2
	1	1		BURNT RED	VMQ	GROMMET, E-SEAL	
		1	1	ORANGE-RED	VMQ	GROMMET, N-SEAL	
1	1			GREY	PA66-GF15	HOUSING	1
		1	1	BLACK	PA66-GF15	HOUSING	
				COLOR	MATERIAL	DESCRIPTION	ITEM NO
7.80	7.77	7.77	7.80	WEIGHT OF EACH ASSY NO. (g)			
B	A	A	B	REVISION OF EACH ASSY NO.			
DT04-3P-TE32	DT04-3P-TN32	DT04-3P-TN31	DT04-3P-TE31	DEUTSCH			
1--4	1--3	1--2	1--1	TE PN			
DT04-3P-CE03	DT04-3P-E005	DT04-3P-E003-EP04	DT04-3P-CE01	COMPARABLE PART			

REVISIONS					
P	LTR	DESCRIPTION	DATE	DWN	APVD
-		SEE SHEET 1			



5

5

1	1	1	1	GREY	PA66-GF15	LONG CAP	3
				BLACK	PA66-GF15	LONG CAP	
1			1	BURNT RED	VMQ	GROMMET, E-SEAL	2
	1	1		ORANGE-RED	VMQ	GROMMET, N-SEAL	
1	1			GREY	PA66-GF15	HOUSING	1
		1	1	BLACK	PA66-GF15	HOUSING	
QTY. REQUEST PER ASSY				COLOR	MATERIAL	DESCRIPTION	ITEM NO
9.25	9.23	9.23	9.25	WEIGHT OF EACH ASSY NO. (g)			
B	A	A	B	REVISION OF EACH ASSY NO.			
DT04-3P-TE82	DT04-3P-TN82	DT04-3P-TN81	DT04-3P-TE81	DEUTSCH			
2--4	2--3	2--2	2--1	TE PN			
DT04-3P-CE09	DT04-3P-E001	DT04-3P-E008	DT04-3P-CE04	COMPARABLE PART			

THIS DRAWING IS A CONTROLLED DOCUMENT.

DWN: C. WAN 15OCT2017  
 CHK: E. JIANG 15OCT2017  
 APVD: J. YIN 15OCT2017

PRODUCT SPEC: 108-151009  
 APPLICATION SPEC: 114-151009

WEIGHT: SEE TABLES  
 MATERIAL: CUSTOMER DRAWING

NAME: DT SERIES, SNAP CAPS  
 3 WAY RECEPTACLE, DT04-3P-TXXX

SIZE: A2  
 CAGE CODE: -  
 DRAWING NO: C-2303813  
 RESTRICTED TO: -

SCALE: 2:1  
 SHEET: 2 OF 2  
 REV: B