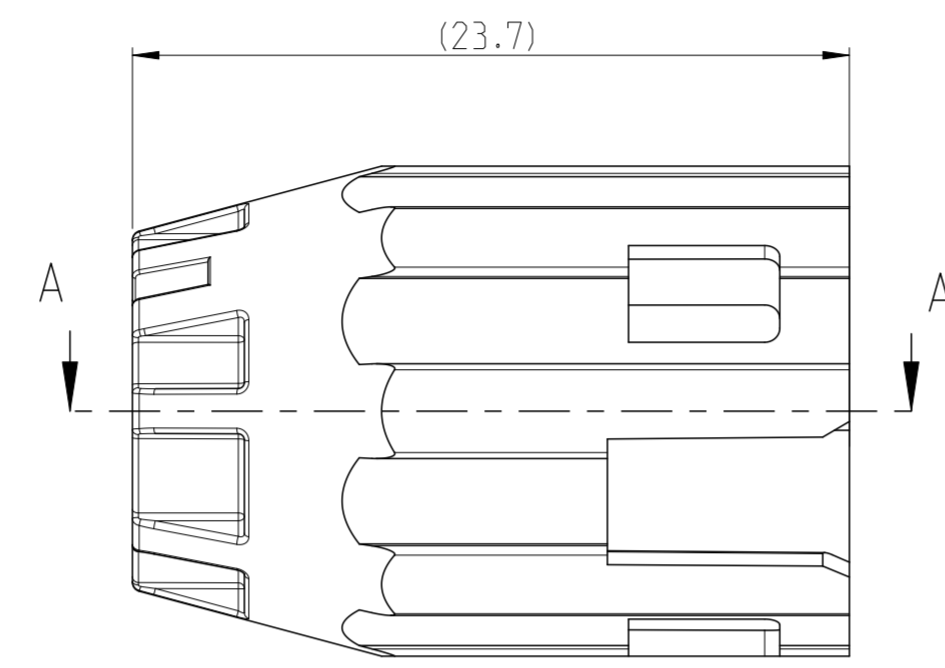
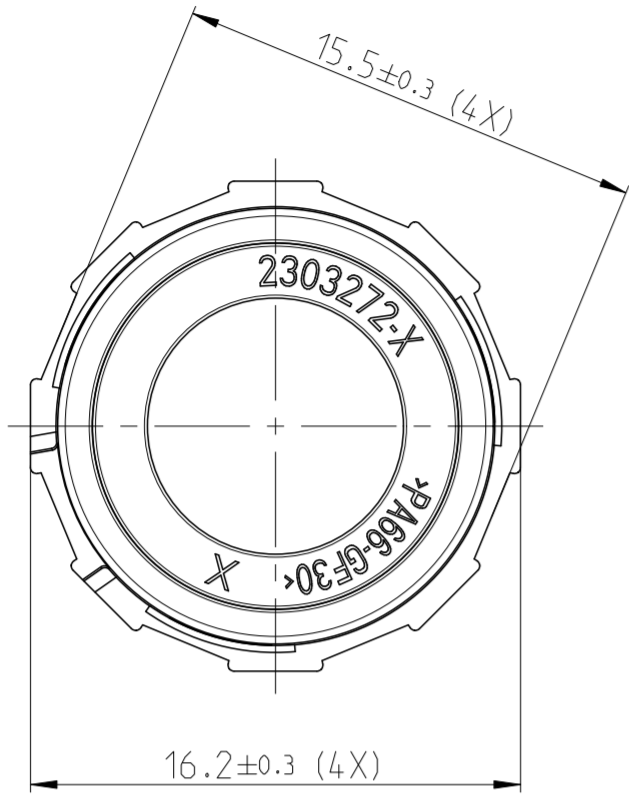


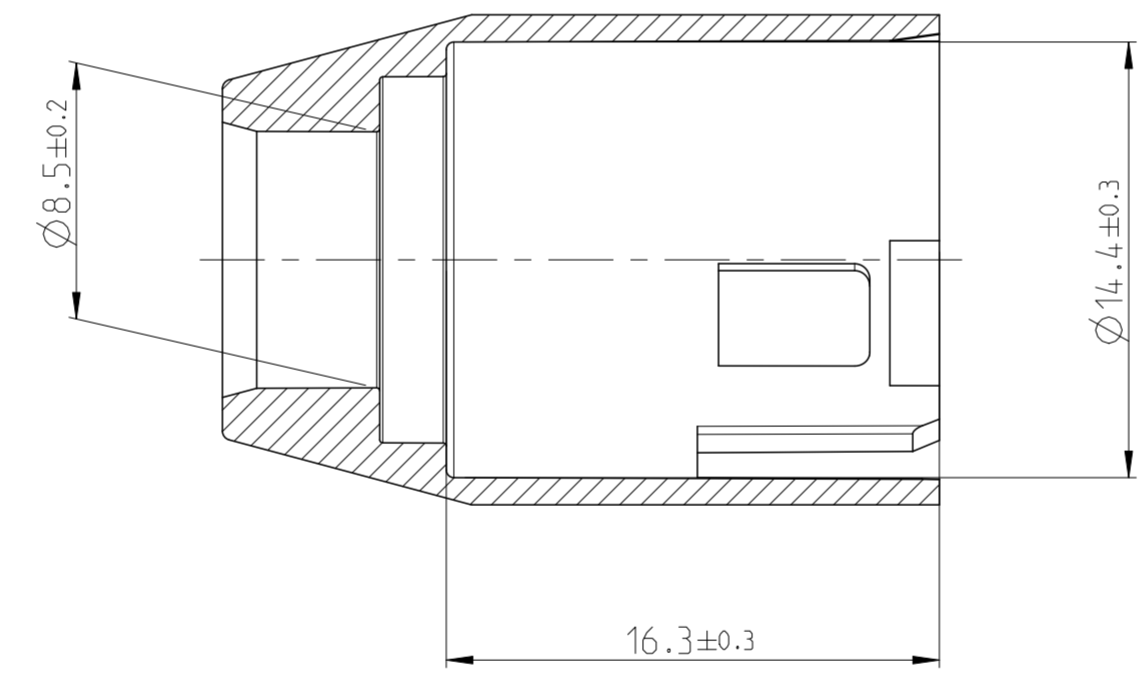
THIS DRAWING IS UNPUBLISHED. RELEASED FOR PUBLICATION 2011  
 © COPYRIGHT 2011 ALL RIGHTS RESERVED.

LOC	DIST	REVISIONS			
P	LTR	DESCRIPTION	DATE	DWN	APVD
ES	00	A	RELEASED	11SEP16	JL IY



NOTES:

- 1 PACKAGING: BULK PACKAGING IN PLASTIC BAG AND CORRUGATED SHIPPING BOX



A-A

-1 AS SHOWN

TE-PART-NO.	DESCRIPTION	MATERIAL	SURFACE/COLOUR
2303272-3	FINGER PROTECTION CAP	PA66-GF HB FIRE RETARDANT	GRAY
2303272-2	FINGER PROTECTION CAP	PA66-GF VO FIRE RETARDANT	GRAY
2303272-1	FINGER PROTECTION CAP	PA66-GF VO FIRE RETARDANT	ORANGE

THIS DRAWING IS A CONTROLLED DOCUMENT.		DWN JLL 19APR2016	<b>STE</b> TE Connectivity	
DIMENSIONS: mm		CHK XX.LI 19APR2016		
TOLERANCES UNLESS OTHERWISE SPECIFIED:		APVD J.YIN 11SEP2016	NAME FINGER PROTECTION CAP	
0-PLC ± ±0.4		PRODUCT SPEC		
1-PLC ±		APPLICATION SPEC		
2-PLC ±		WEIGHT		
3-PLC ±		SIZE A2		
4-PLC ±		CAGE CODE 00779		
ANGLES ±°		DRAWING NO C-2303272		
FINISH		RESTRICTED TO -		
MATERIAL		SCALE 4:1		
CUSTOMER DRAWING		SHEET 1 OF 1		
		REV A		