

REVISIONS				
P	LTN	DESCRIPTION	DATE	OWN APVD
B		REV PER ECO 21-003080	3-23-21	CT DH

- 1 HOUSING: LCP, UL94V0, COLOR: BLACK.  
CONTACT: PHOSPHOR BRONZE.  
POST: BRASS WIRE
- 2 PLATED THROUGH HOLE PER TE SPEC 114-13056, FIGURE 4 OR 114-163004, FIGURE 10
- 3 PLATED THRU HOLE SPECIFICATION:  
DRILLED HOLE:  $\varnothing 0.40 \pm 0.02$   
0.025-0.050 THICK COPPER PLATING (MAX HARDNESS 150 KNOOP)  
FINISH OPTIONS:  
0.0038-0.0124 HOT AIR SOLDER LEVELING (HASL) TIN-LEAD (SnPb)  
0.0005-0.004 IMMERSION TIN (Sn)  
0.0002-0.0005 ORGANIC SOLDERABILITY PRESERVATIVE (OSP)  
0.0001-0.0005 IMMERSION SILVER (Ag)  
0.0001-0.0005 IMMERSION GOLD OVER 0.00127-0.0076 NICKEL (ENIG)  
FINISH HOLE DIAMETER AFTER PLATING =  $\varnothing 0.31$  REF
- 4 CONTACT: 1.27 $\mu$ m MIN GOLD IN PAD CONTACT AREA  
1.27 $\mu$ m MIN TIN-LEAD (93/7) ON PCB TAIL  
OVER 1.27 $\mu$ m MIN NICKEL OVER ALL.  
POST 1.27 $\mu$ m MIN NICKEL PLATED.
- 5 SEE TABLE 1 FOR INTERCONNECTIONS TO BACKPLANE CONNECTOR.
- 6 CONTACT: 1.27 $\mu$ m MIN GOLD IN PAD CONTACT AREA,  
1.27 $\mu$ m MIN TIN ON PCB TAIL OVER 1.27 $\mu$ m MIN.  
NICKEL OVER ALL.  
POST: 1.27 $\mu$ m MIN NICKEL PLATED.
- 7 CONTACT: 1.27 $\mu$ m MIN GOLD IN PAD CONTACT AREA  
1.27 $\mu$ m MIN TIN-LEAD (60/40) ON PCB TAIL  
OVER 1.27 $\mu$ m MIN NICKEL OVER ALL.  
POST 1.27 $\mu$ m MIN NICKEL PLATED.

TABLE 1  
INTERCONNECTIONS WITH BACKPLANE CONNECTOR  
2302791 OR 2302792

TYPICAL INTERCONNECTIONS FOR COLUMN (WAFER): 7, 9, 11, 13, 15		
CONTACT USAGE	DAUGHTERCARD CONNECTOR PIN	BACKPLANE CONNECTOR PIN
SIGNAL PAIR	ax	ax
	bx	bx
SIGNAL PAIR	dx	ex
	ex	fx
SIGNAL	gx	ix
GROUNDS	<sup>cx, fx,</sup> (ALL COMMONED)	cx, dx, gx, hx

TYPICAL INTERCONNECTIONS FOR COLUMN (WAFER): 8, 10, 12, 14, 16		
CONTACT USAGE	DAUGHTERCARD CONNECTOR PIN	BACKPLANE CONNECTOR PIN
SIGNAL PAIR	bx	cx
	cx	dx
SIGNAL PAIR	ex	gx
	fx	hx
GROUNDS	<sup>ax, dx, gx</sup> (ALL COMMONED)	ax, bx, ex, fx, ix

TYPICAL INTERCONNECTIONS FOR COLUMN (WAFER): 4, 5, 6		
CONTACT USAGE	DAUGHTERCARD CONNECTOR PIN	BACKPLANE CONNECTOR PIN
SIGNAL	ax	bx
SIGNAL	bx	cx
SIGNAL	dx	ex
SIGNAL	fx	gx
SIGNAL	gx	hx
GROUNDS	<sup>cx, ex</sup> (ALL COMMONED)	ax, dx, fx, ix

TYPICAL INTERCONNECTIONS FOR COLUMN (WAFER): 2, 3		
CONTACT USAGE	DAUGHTERCARD CONNECTOR PIN	BACKPLANE CONNECTOR PIN
POWER	ax, bx, cx	ax, bx, cx, dx
POWER	ex, fx, gx	fx, gx, hx, ix
NOT CONNECTED	dx	ex

NOTE: "x" DESIGNATES THE COLUMN NUMBER

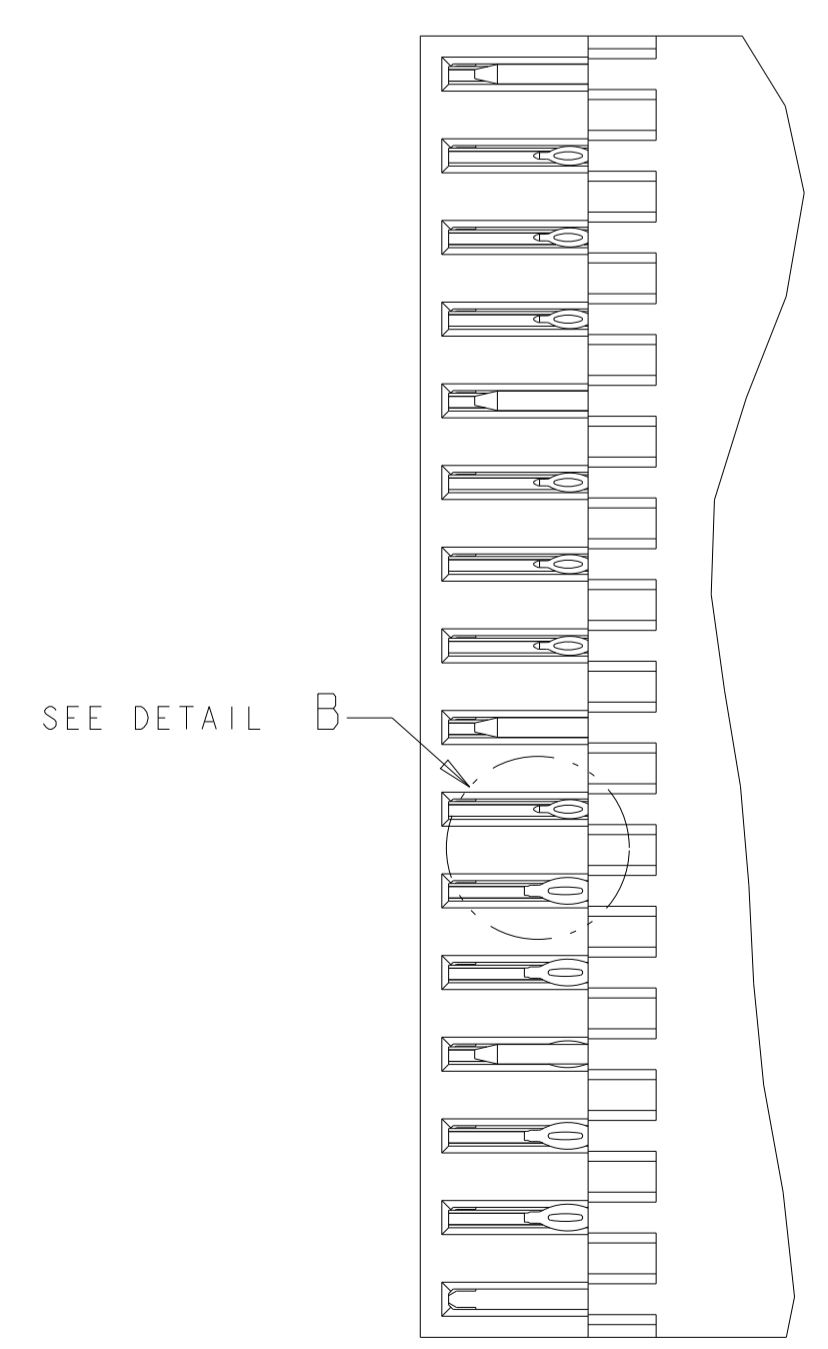
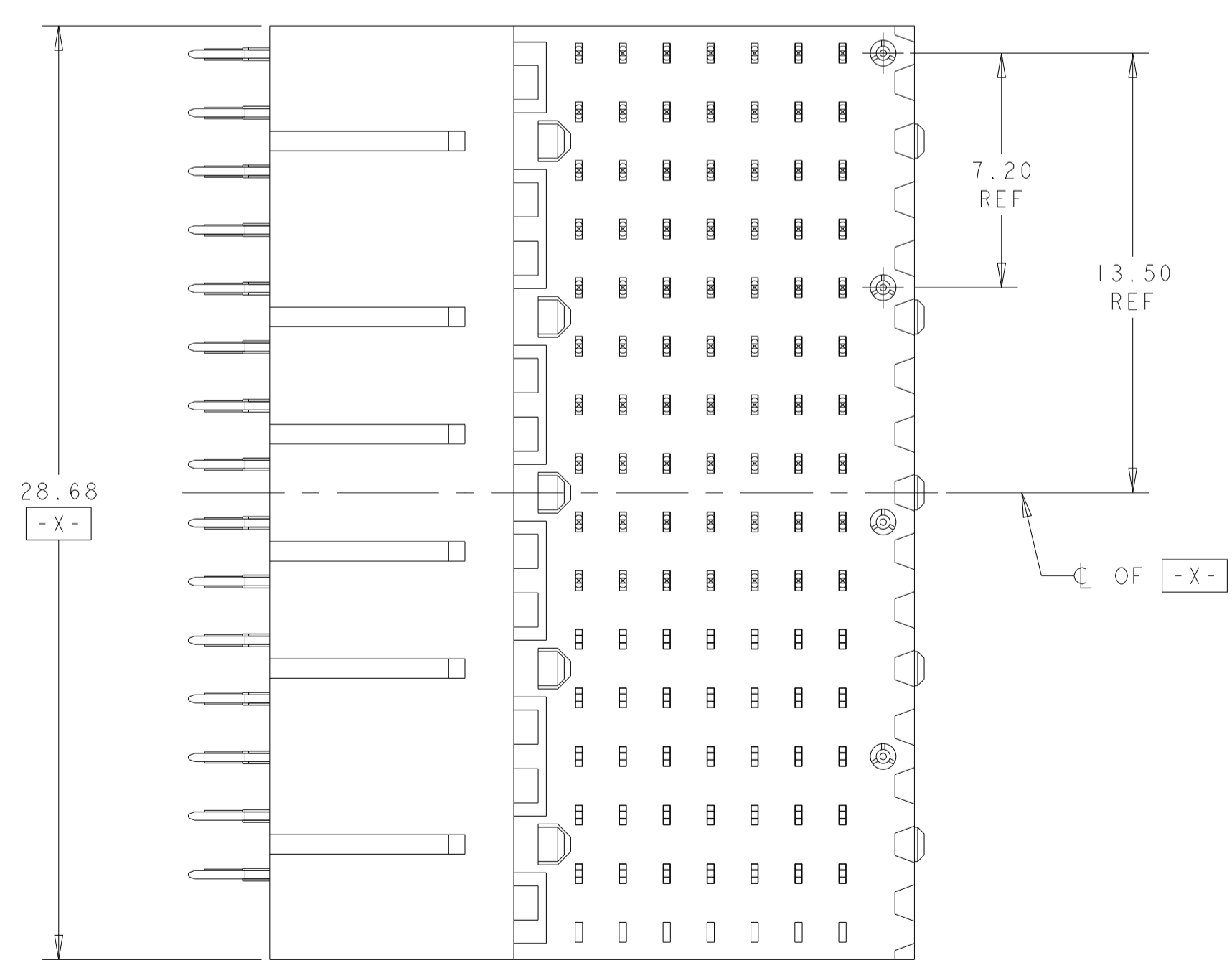
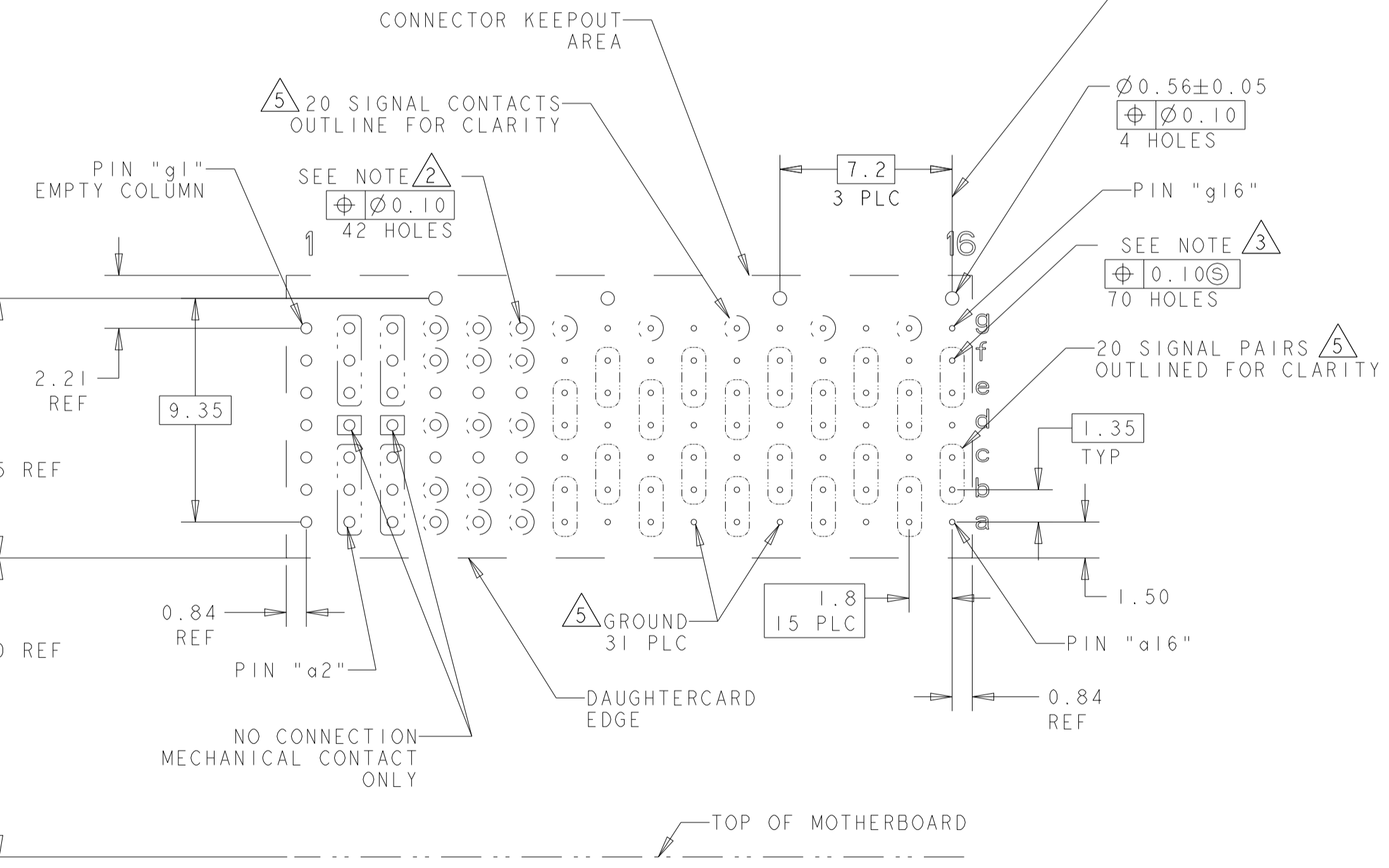
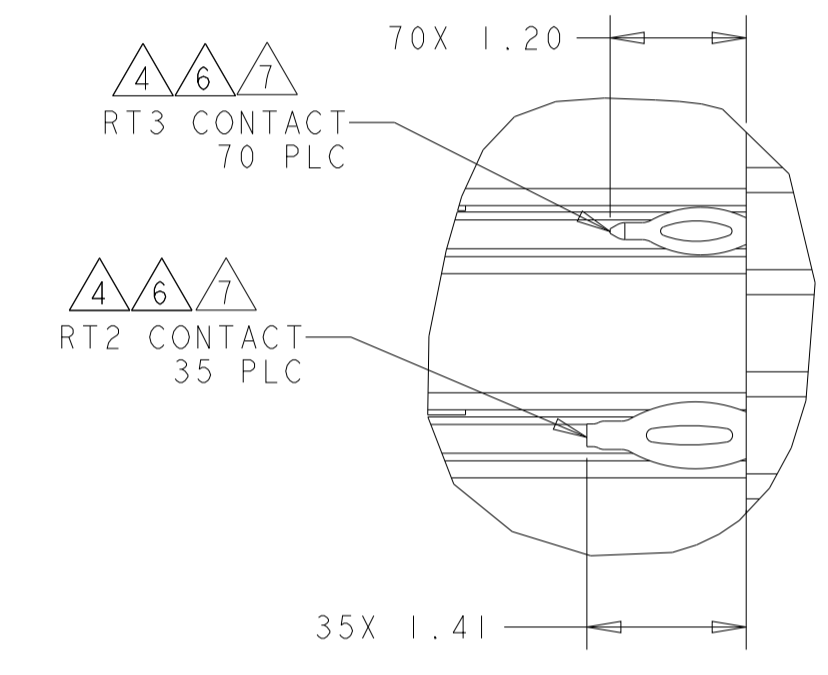
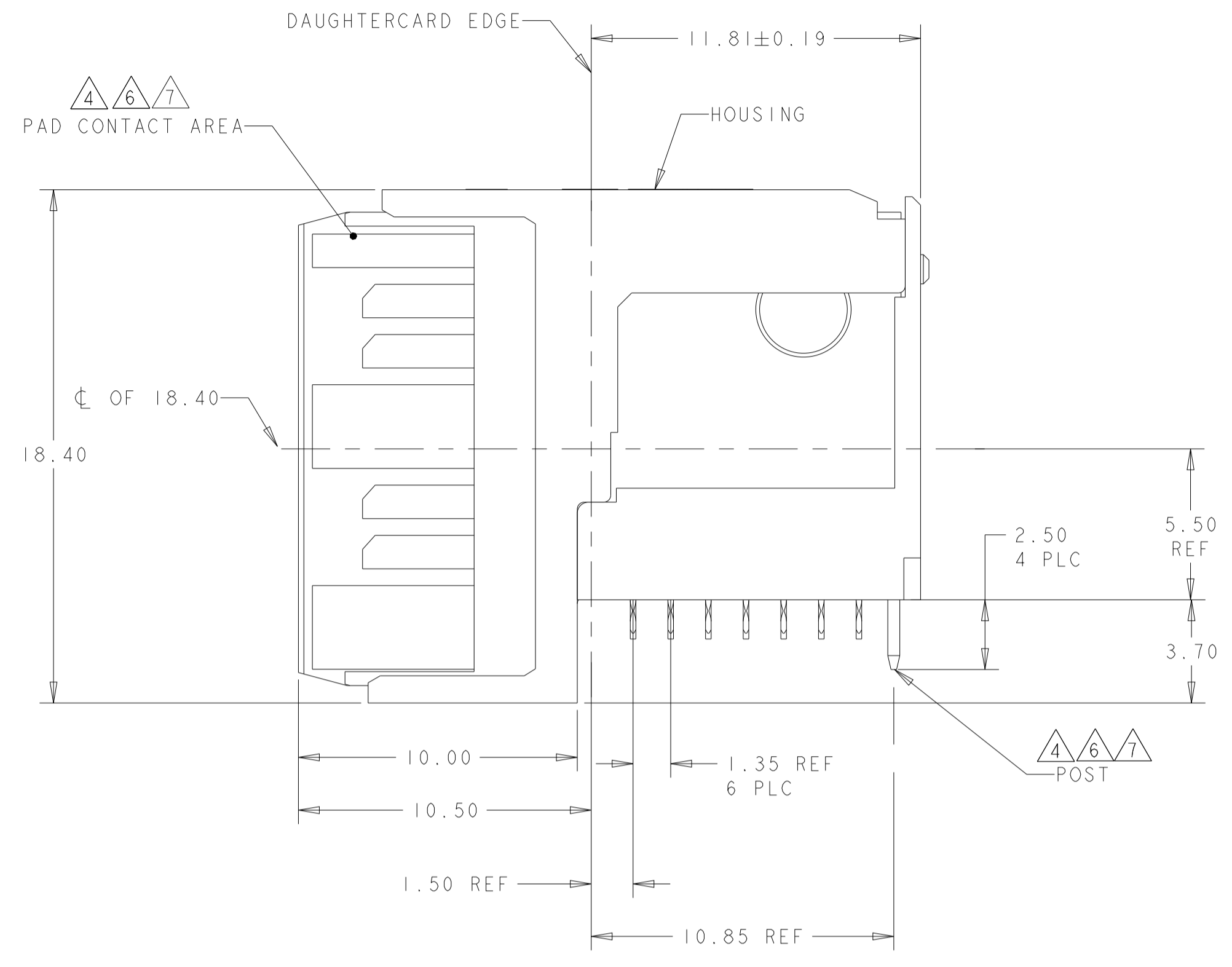
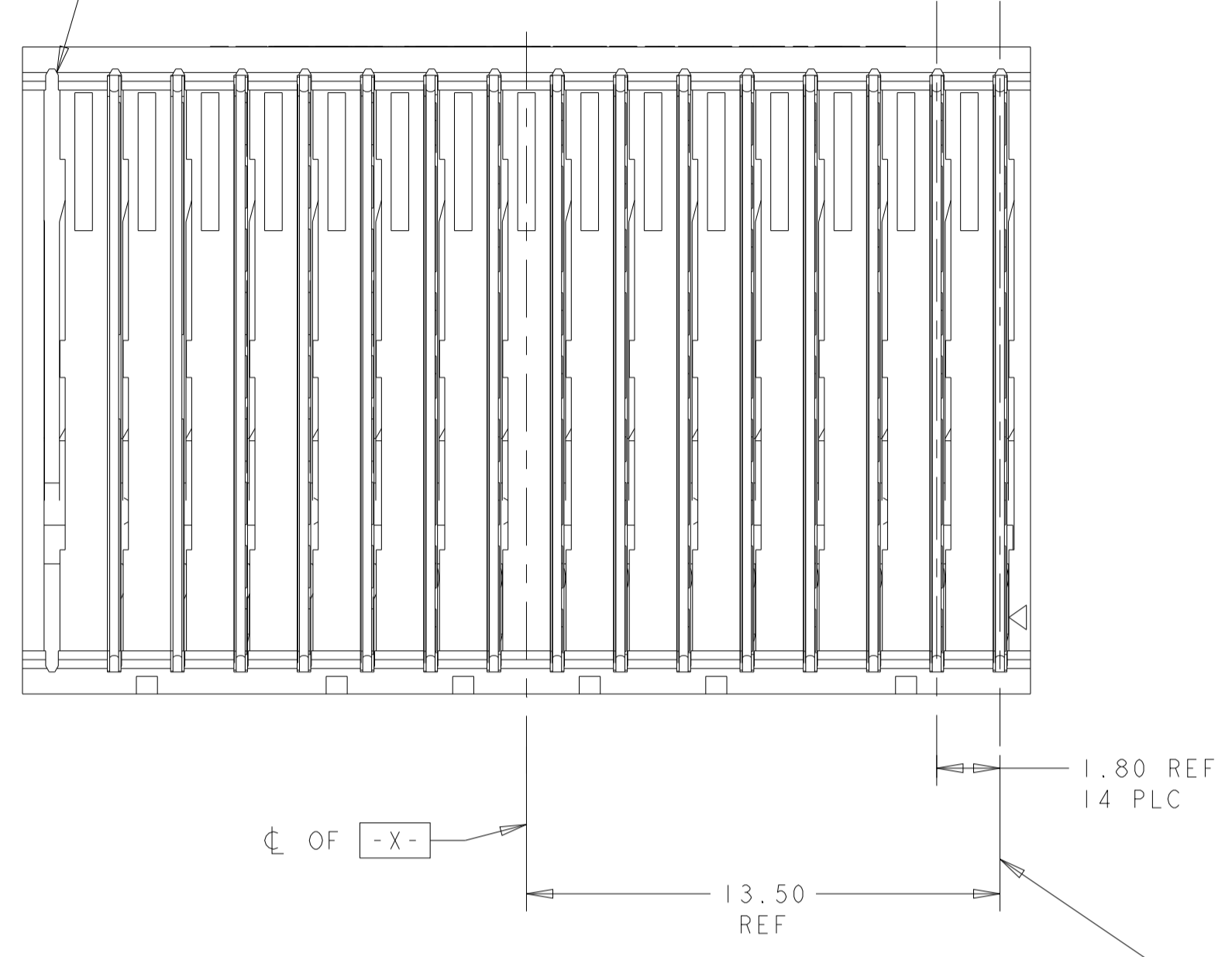
JURISDICTION	EAR
CLASSIFICATION	EAR99
DATE OF MARKING	19FEB2022
THIS DOCUMENT CONTAINS CONTROLLED TECHNICAL DATA SUBJECT TO THE EXPORT ADMINISTRATION REGULATIONS (EAR). VIOLATIONS OF THESE EXPORT LAWS AND REGULATIONS ARE SUBJECT TO CIVIL AND CRIMINAL PENALTIES.	

7	2302794-3
6	2302794-2
4	2302794-1
PLATING	PART NO

THIS DRAWING IS A CONTROLLED DOCUMENT.		OWN R. MILLER 10JUL2017	TE Connectivity	
DIMENSIONS:		CHK A. TSANG 10JUL2017	NAME RIGHT-ANGLE PLUG ASSY, RTM, CENTER, DIFFERENTIAL, SINGLE-ENDED AND POWER VPX, MULTIGIG RT 3	
TOLERANCES UNLESS OTHERWISE SPECIFIED:		APVD A. TSANG 10JUL2017	PRODUCT SPEC 108-2072-3	
mm		APPLICATION SPEC 114-163004		RESTRICTED TO
0 PLC ±		SIZE 114-163004		CAGE CODE DRAWING NO
1 PLC ±0.5		WEIGHT 9.98g		SCALE 6:1 SHEET 1 OF 2 REV B
2 PLC ±0.13		CUSTOMER DRAWING		
3 PLC ±		A 100779C=2302794		
4 PLC ±				
ANGLES ±°				
FINISH				
SEE TABLE				

REVISIONS				
P	LTN	DESCRIPTION	DATE	APVD
-	-	SEE SHEET #1	-	-

NO WAFER LOADED IN THIS COLUMN



1	2	3	4	5	6	7	8	9	10	11	12	13	14	15	16
N	2	2	2	2	2	3	3	3	3	3	3	3	3	3	3
N	2	2	2	2	2	3	3	3	3	3	3	3	3	3	3
N	2	2	2	2	2	3	3	3	3	3	3	3	3	3	3
N	2	2	2	2	2	3	3	3	3	3	3	3	3	3	3
N	2	2	2	2	2	3	3	3	3	3	3	3	3	3	3
N	2	2	2	2	2	3	3	3	3	3	3	3	3	3	3
N	2	2	2	2	2	3	3	3	3	3	3	3	3	3	3
N	2	2	2	2	2	3	3	3	3	3	3	3	3	3	3

2 = RT2 CONTACT (SEE NOTE 2)  
 3 = RT3 CONTACT (SEE NOTE 3)  
 N = NO CONTACT  
 P = POST

THIS DRAWING IS A CONTROLLED DOCUMENT.		OWN A. MILLER 10JUL2017	NAME RIGHT-ANGLE PLUG ASSY, RTM, CENTER, DIFFERENTIAL, SINGLE-ENDED AND POWER VPX, MULTIGIG RT 3
DIMENSIONS: mm		CHK A. TSANG 10JUL2017	RESTRICTED TO
TOLERANCES UNLESS OTHERWISE SPECIFIED:		APVD A. TSANG A. TSANG	SCALE 6:1 SHEET 2 OF 2 REV B
MATERIAL		PRODUCT SPEC 108-2072-3	SIZE CAGE CODE DRAWING NO
SEE TABLE		APPLICATION SPEC 114-163004	RESTRICTED TO
FINISH		WEIGHT 9.98g	RESTRICTED TO
CUSTOMER DRAWING		A100779C=2302794	RESTRICTED TO