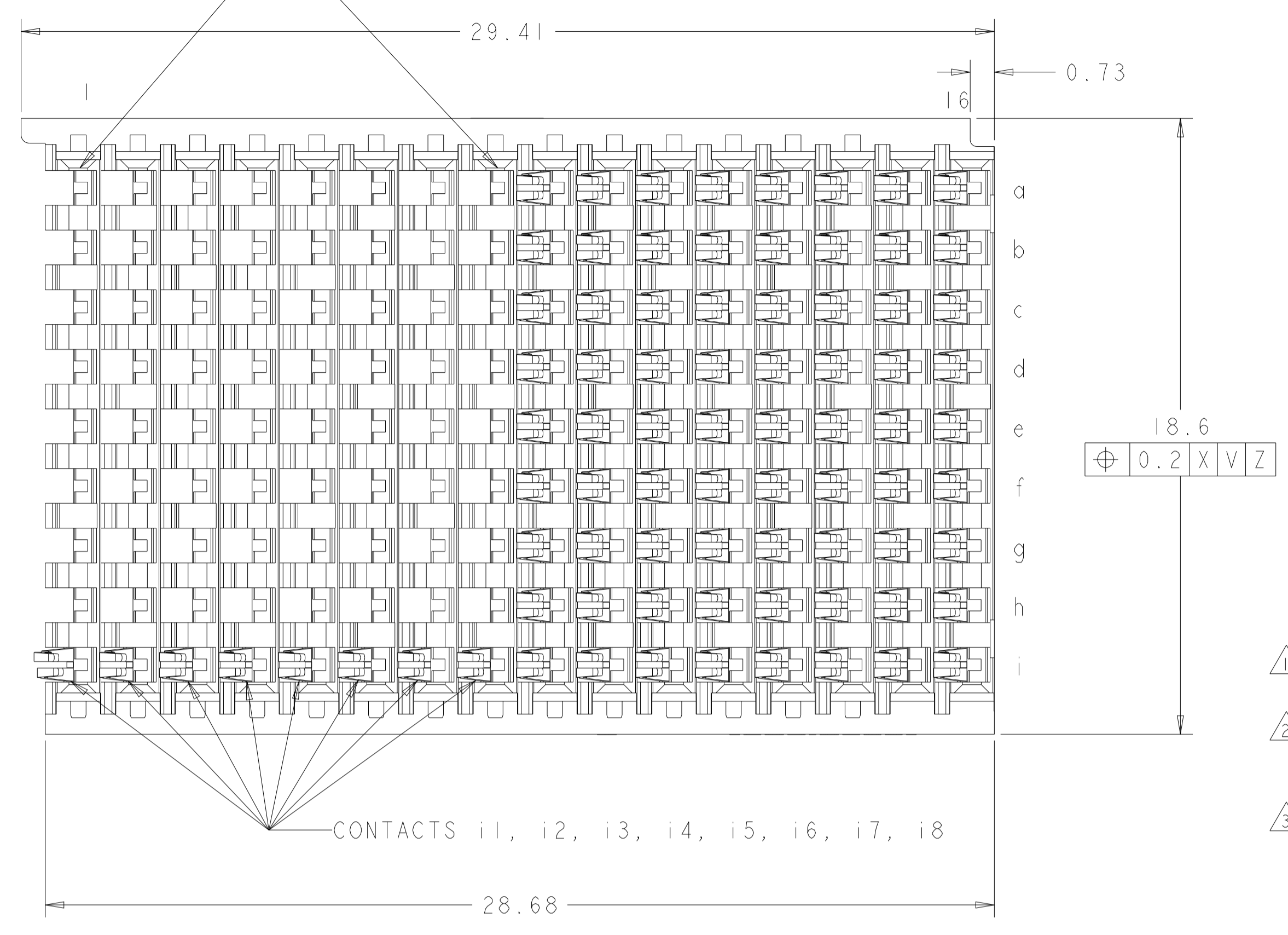
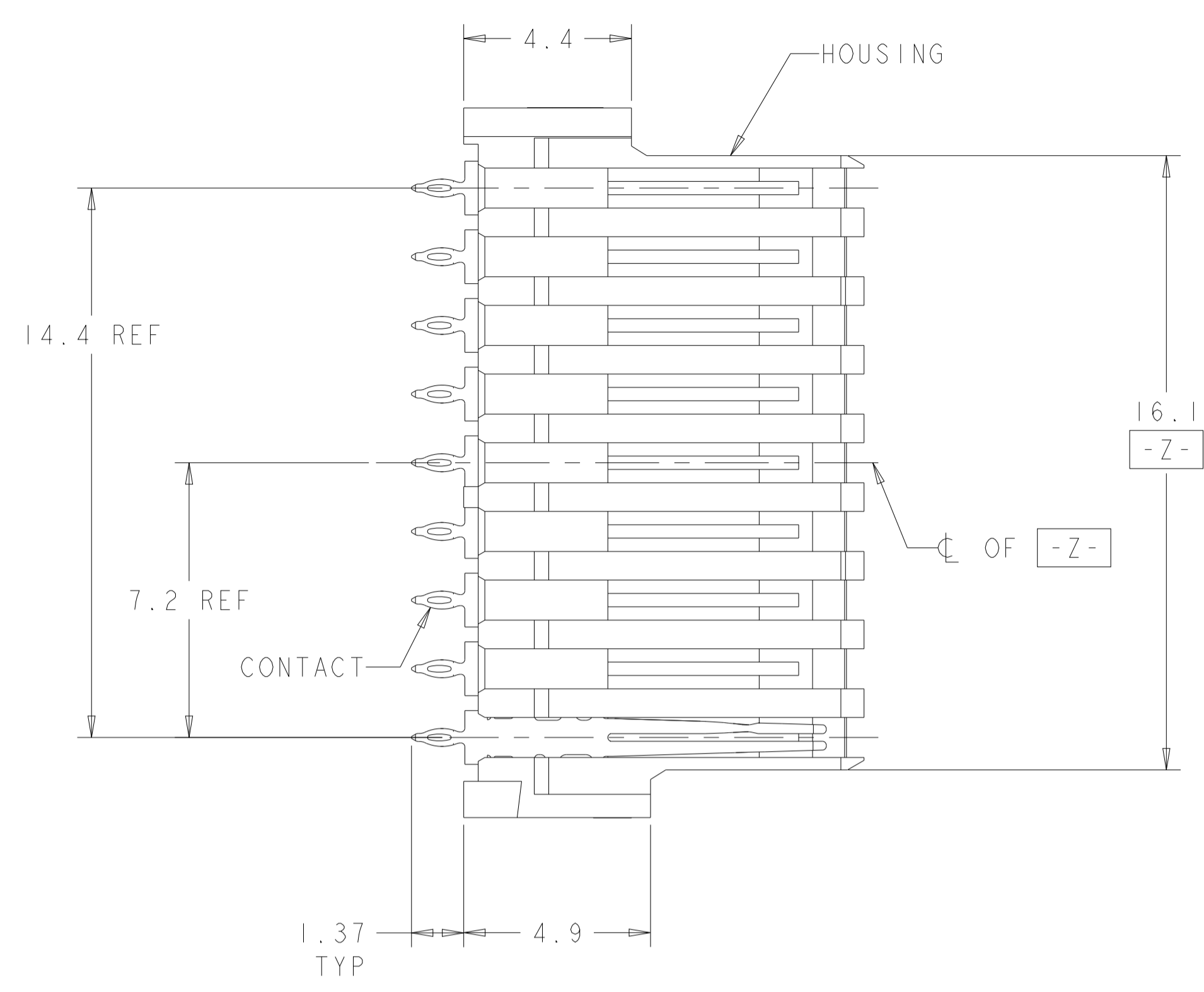
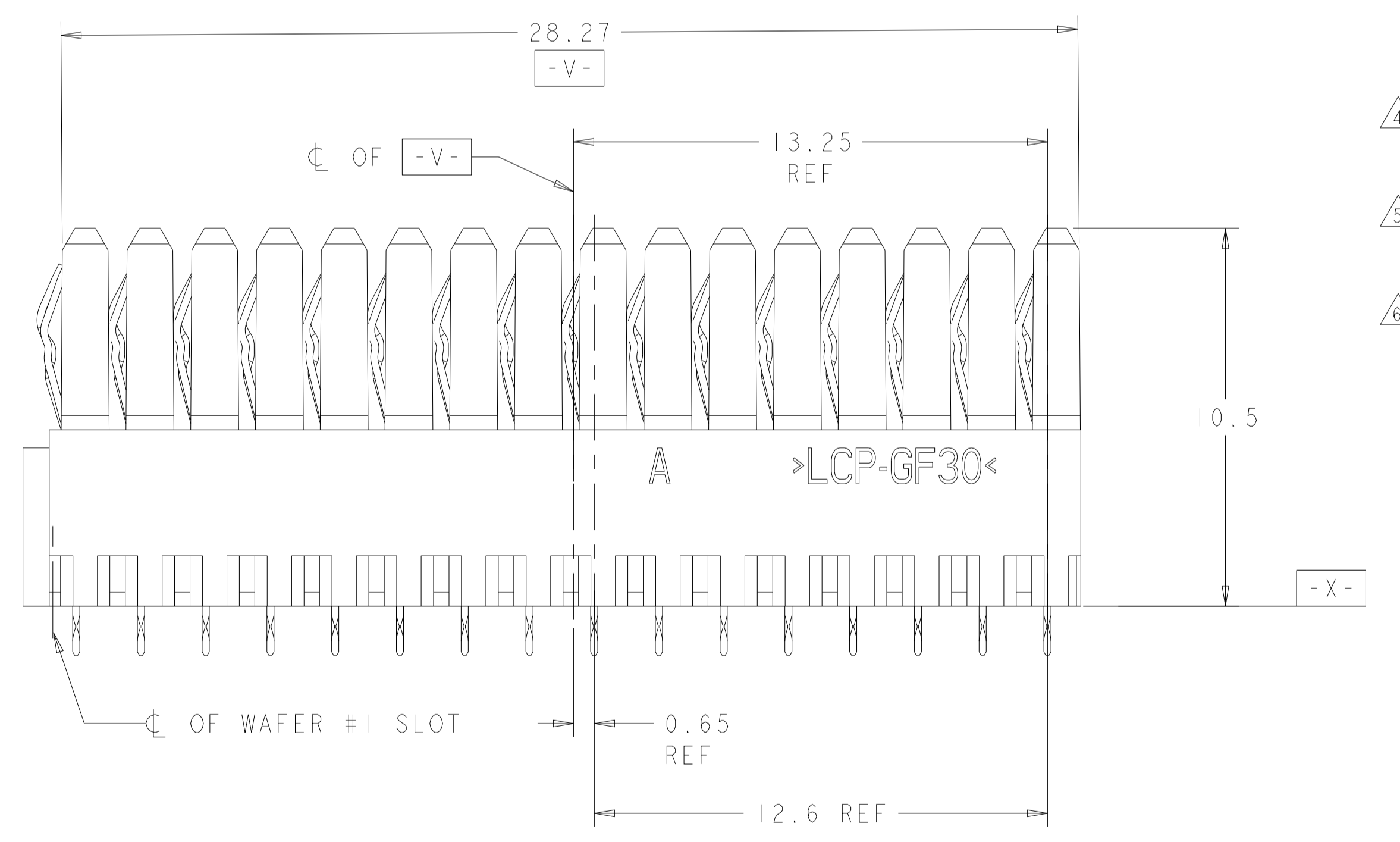
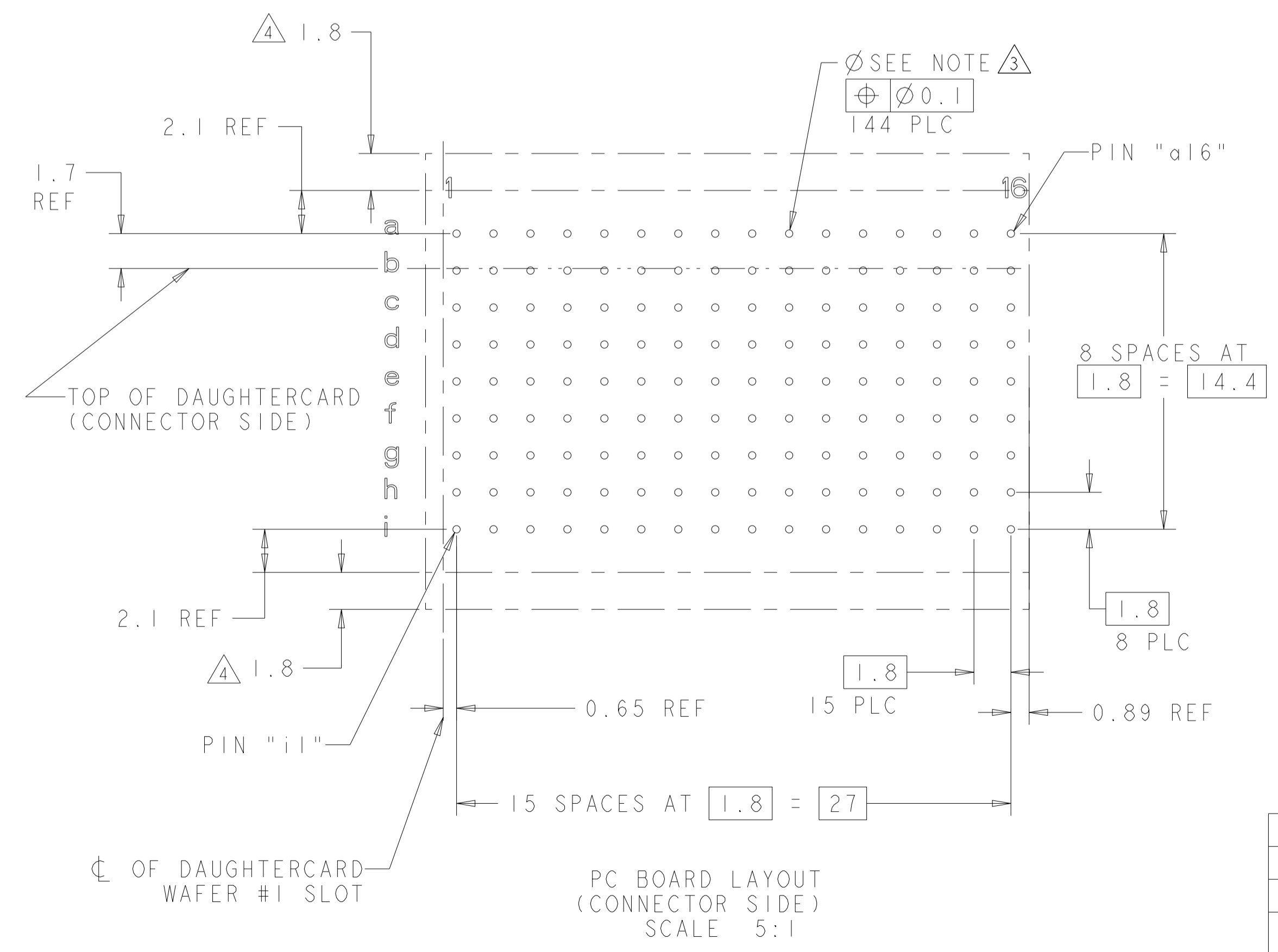


REVISIONS				
P	LTN	DESCRIPTION	DATE	APVD
A		RELEASED PER ECO-19-001811	05FEB2019	DCB AT
B		REVISED PER ECO-21-003080	28OCT2021	LN DH
C		REV PER ECN-22-152031	26MAY2022	JAB DH

COLUMNS 1 THRU 8
 CONTACTS NOT LOADED
 EXCEPT i1, i2, i3, i4, i5, i6, i7, i8



- △ HOUSING: LCP, UL94V0, COLOR: BLACK.
CONTACT: PHOSPHOR BRONZE.
- △ FINISH: 1.27µm GOLD IN CONTACT AREA 1.27µm MIN. TIN-LEAD (93/7) ON PCB TAIL OVER 2.54µm MIN. NICKEL OVER ALL.
- △ PLATED THRU HOLE SPECIFICATION:
 - DRILLED HOLE: Ø0.45±0.02
 - 0.025-0.050 THICK COPPER PLATING (MAX HARDNESS 150 KNOOP)
 FINISH OPTIONS:
 - 0.0038-0.0124 HOT AIR SOLDER LEVELING (HASL) TIN-LEAD (SnPb)
 - 0.0005-0.004 IMMERSION TIN (Sn)
 - 0.0002-0.0005 ORGANIC SOLDERABILITY PRESERVATIVE (OSP)
 - 0.0001-0.0005 IMMERSION SILVER (Ag)
 - 0.0001-0.0005 IMMERSION GOLD OVER 0.00127-0.0076 NICKEL (ENIG)
 FINISH HOLE DIAMETER AFTER PLATING = Ø0.36 REF
- △ ADDITIONAL CONNECTOR-SIDE KEEPOUT AREA REQUIRED IF CONNECTOR-SIDE EXTRACTION TOOL IS TO BE USED.
- △ FINISH: 1.27µm MIN GOLD IN CONTACT AREA, 0.50µm MIN TIN ON PCB TAIL OVER 2.54µm MIN. NICKEL OVER ALL.
- △ FINISH: 1.27µm GOLD IN CONTACT AREA 1.27µm MIN. TIN-LEAD (60/40) ON PCB TAIL OVER 2.54µm MIN. NICKEL OVER ALL.



JURISDICTION	EAR
CLASSIFICATION	EAR99
DATE OF MARKING	26MAY2022
THIS DOCUMENT CONTAINS CONTROLLED TECHNICAL DATA SUBJECT TO THE EXPORT ADMINISTRATION REGULATIONS (EAR). VIOLATIONS OF THESE EXPORT LAWS AND REGULATIONS ARE SUBJECT TO CIVIL AND CRIMINAL PENALTIES.	

THIS DRAWING IS A CONTROLLED DOCUMENT.		OWN R. MILLER 11JUL2017	APVD A. TSANG 11JUL2017	NAME VERTICAL RECEPTACLE ASSEMBLY, CENTER, SELECT LOAD, RTM MULTIGIG RT 3
DIMENSIONS:	TOLERANCES UNLESS OTHERWISE SPECIFIED:	CHK A. TSANG 11JUL2017	PRODUCT SPEC 108-2072-3	RESTRICTED TO
mm	0 PLC ±0.5 1 PLC ±0.5 2 PLC ±0.13 3 PLC ±0.13 4 PLC ±0.13 ANGLES ±1°0'	APPLICATION SPEC 114-163004	SIZE A1	RESTRICTED TO
MATERIAL	FINISH	WEIGHT 5.35g	CAGE CODE DRAWING NO 100779	SCALE 8:1
SEE TABLE		RESTRICTED CUSTOMER	©=2302793	SHEET 1 OF 1 REV C

△6	2302793-3
△5	2302793-2
△2	2302793-1
PLATING	PART NO