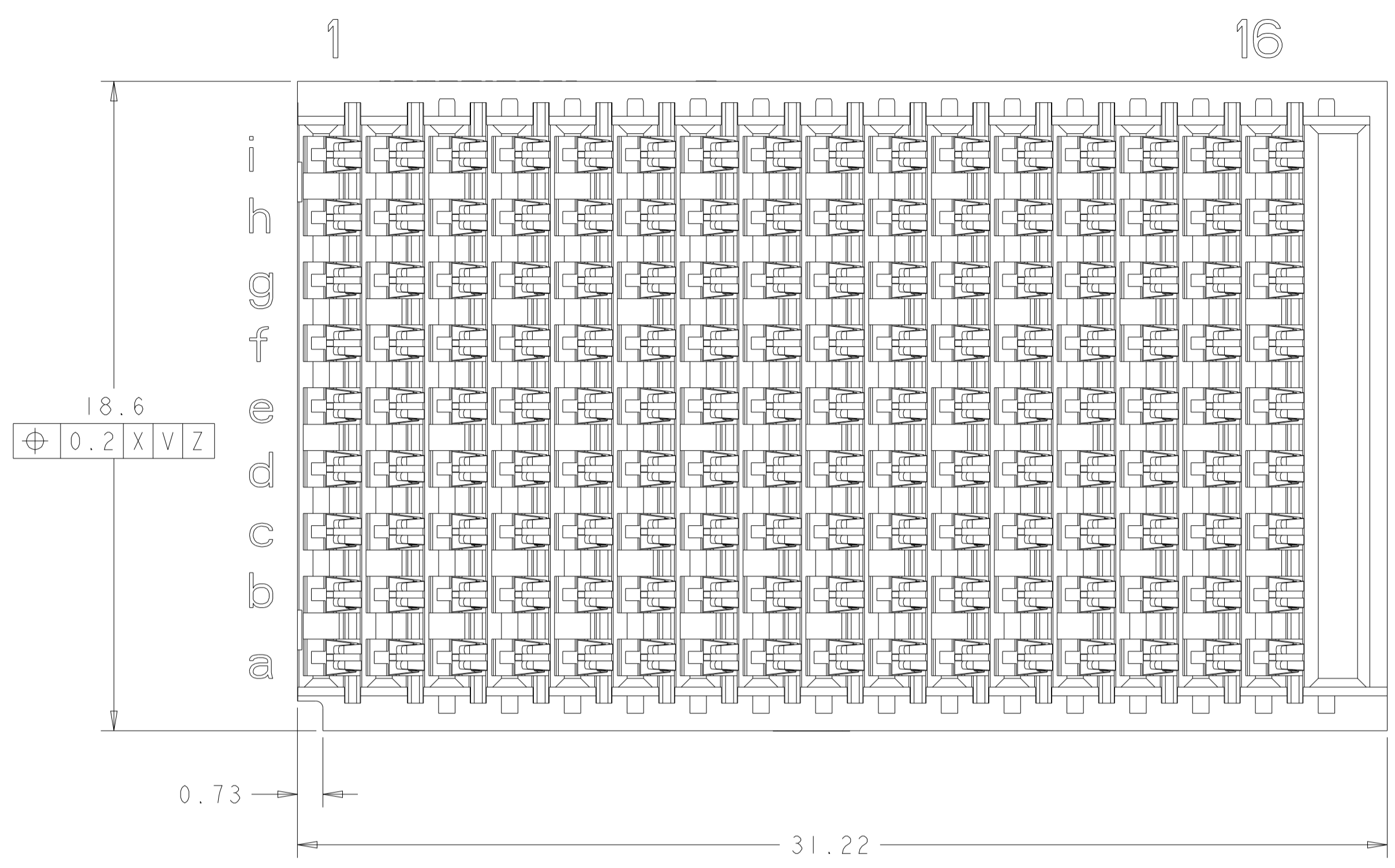
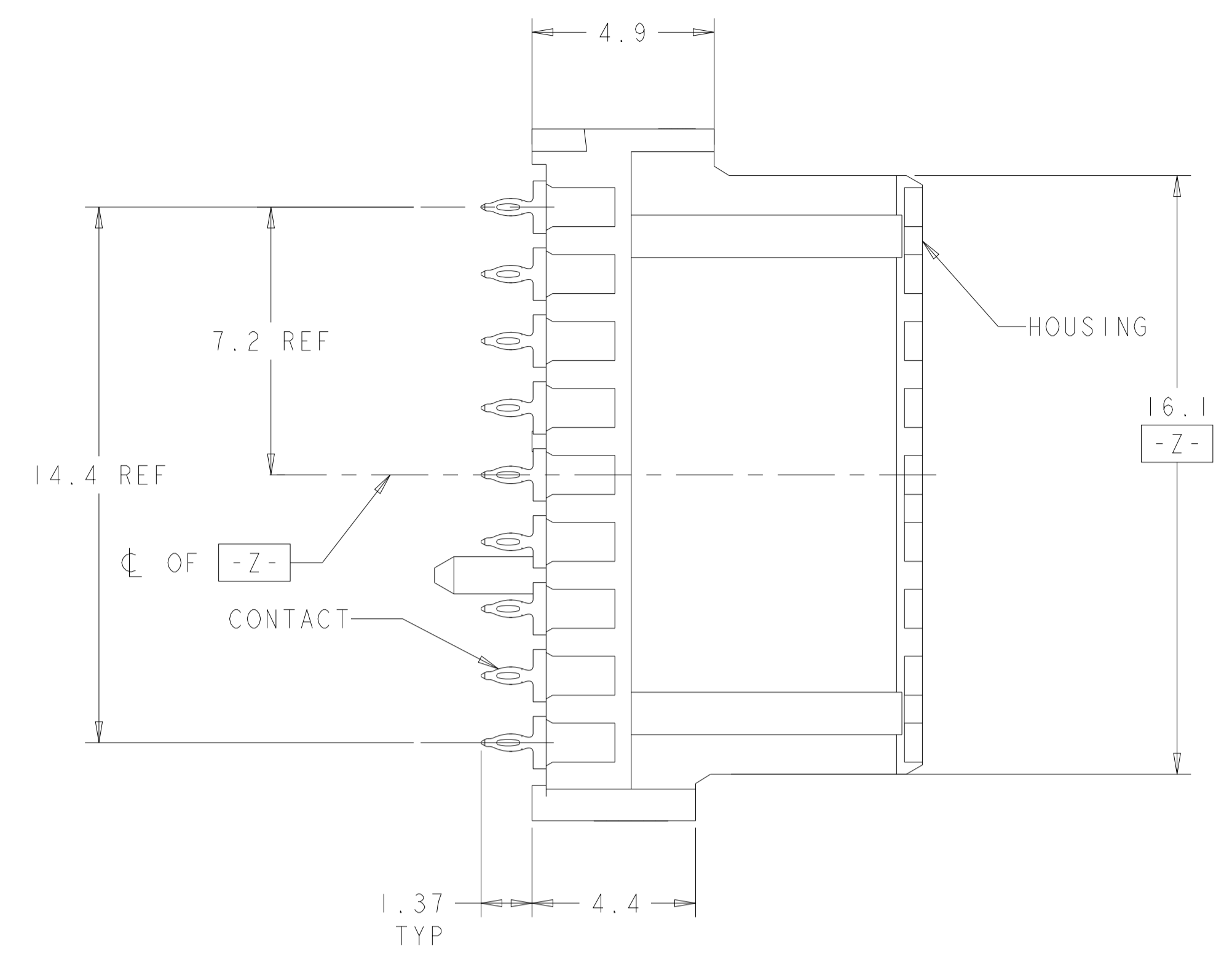
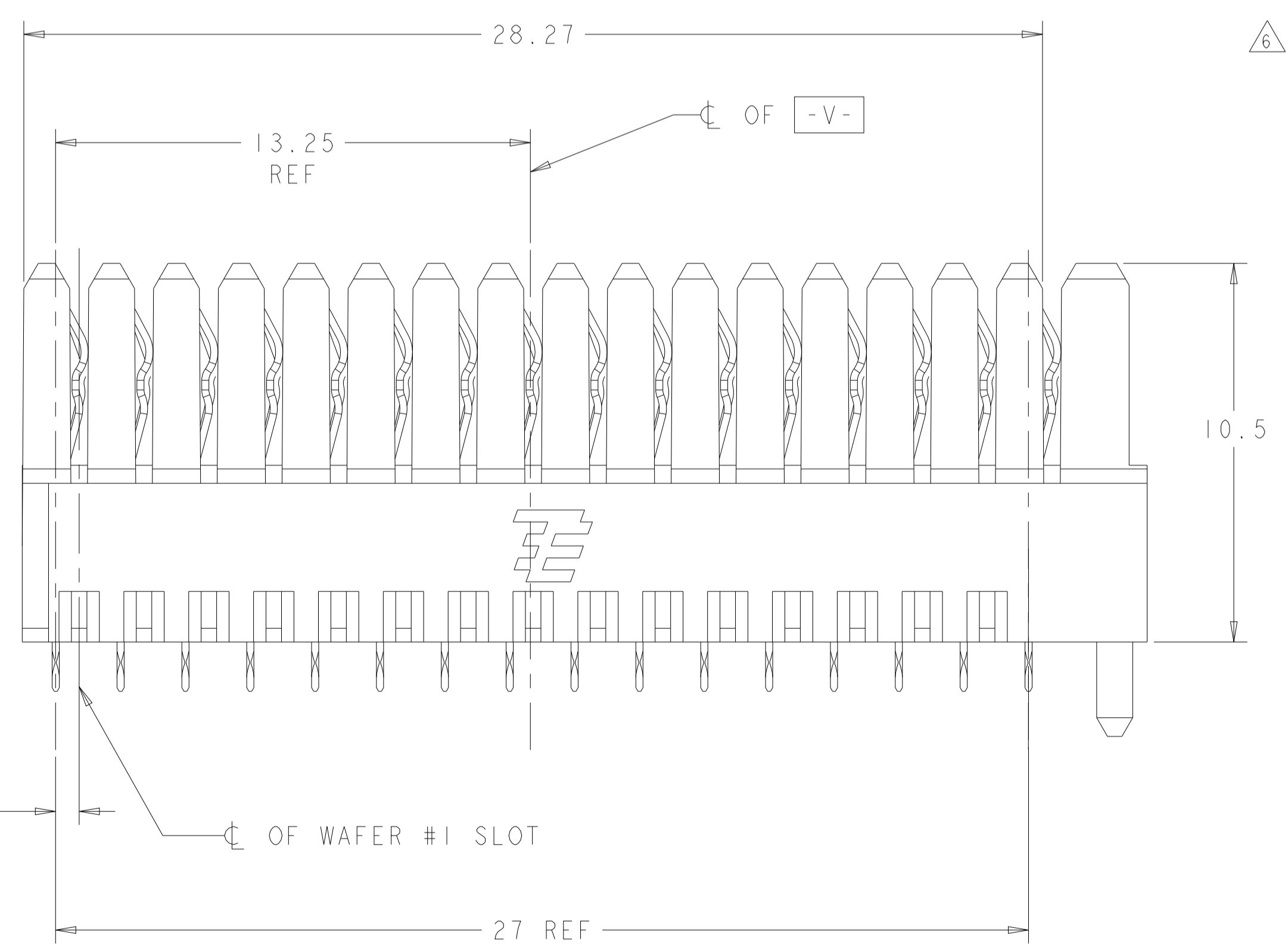
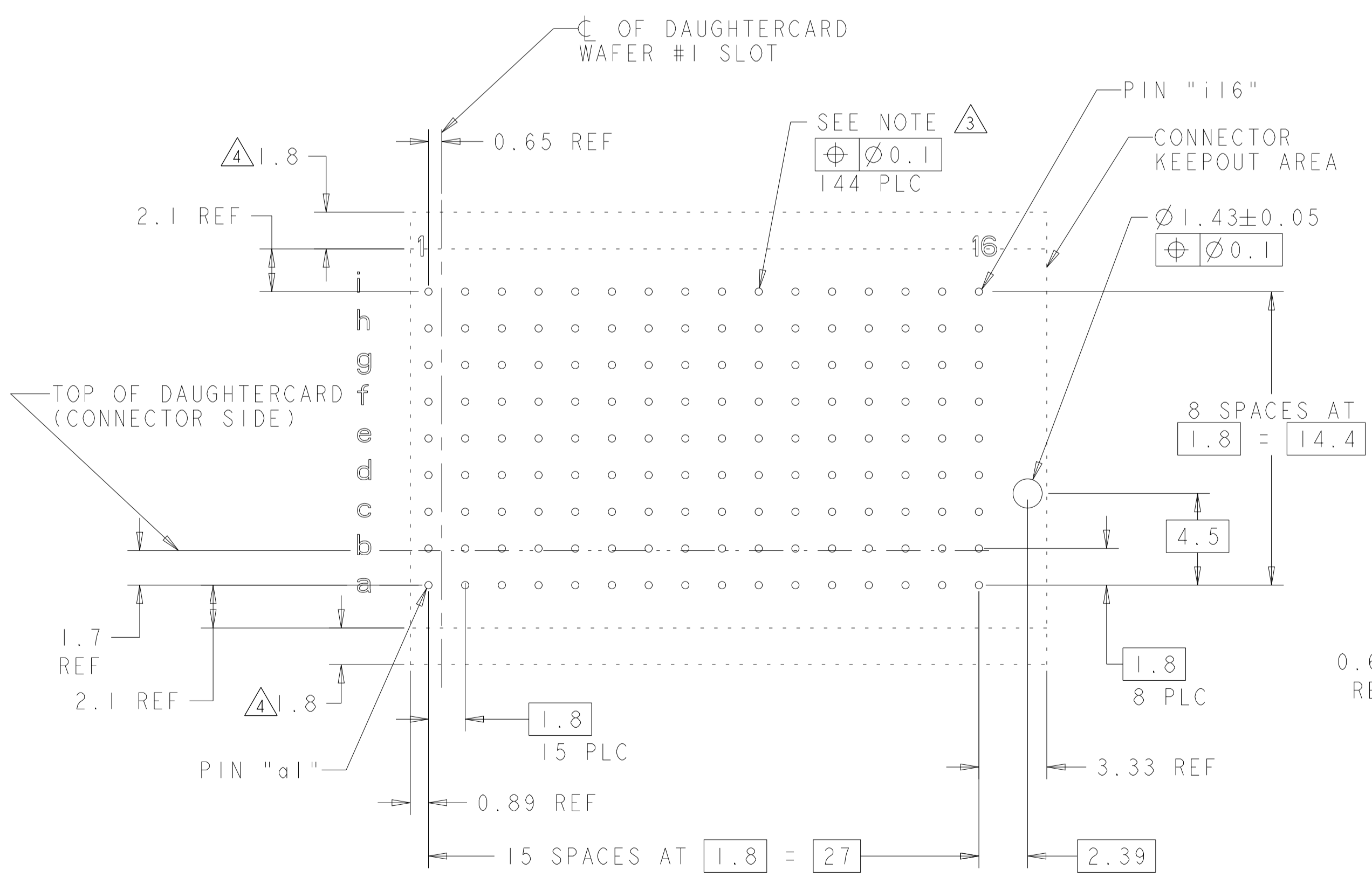


REVISIONS				
P	LTN	DESCRIPTION	DATE	APVD
A		RELEASED PER ECO-19-001811	05FEB2019	DCB AT
B		REVISED PER ECO-19-002318	14FEB2019	DCB DH
C		REVISED PER ECO-21-003080	25OCT2021	LN DH



- △ HOUSING: LCP, UL94V0, COLOR: BLACK. CONTACT: PHOSPHOR BRONZE.
- △ FINISH: 1.27µm GOLD IN CONTACT AREA 1.27µm MIN. TIN-LEAD (93/7) ON PCB TAIL OVER 2.54µm MIN. NICKEL OVER ALL.
- △ PLATED THRU HOLE SPECIFICATION:
 - DRILLED HOLE: $\varnothing 0.45 \pm 0.02$
 - 0.025-0.050 THICK COPPER PLATING (MAX HARDNESS 150 KNOOP)
 FINISH OPTIONS:
 - 0.0038-0.0124 HOT AIR SOLDER LEVELING (HASL) TIN-LEAD (SnPb)
 - 0.0005-0.004 IMMERSION TIN (Sn)
 - 0.0002-0.0005 ORGANIC SOLDERABILITY PRESERVATIVE (OSP)
 - 0.0001-0.0005 IMMERSION SILVER (Ag)
 - 0.0001-0.0005 IMMERSION GOLD OVER
 - 0.00127-0.0076 NICKEL (ENIG)
 FINISH HOLE DIAMETER AFTER PLATING = $\varnothing 0.36$ REF
- △ ADDITIONAL CONNECTOR-SIDE KEEPOUT AREA REQUIRED IF CONNECTOR-SIDE EXTRACTION TOOL IS TO BE USED.
- △ FINISH: 1.27µm MIN GOLD IN CONTACT AREA, 0.50µm MIN TIN ON PCB TAIL OVER 2.54µm MIN. NICKEL OVER ALL.
- △ FINISH: 1.27µm GOLD IN CONTACT AREA 1.27µm MIN. TIN-LEAD (60/40) ON PCB TAIL OVER 2.54µm MIN. NICKEL OVER ALL.



PC BOARD LAYOUT (CONNECTOR SIDE)
(SEE SHEET 2 FOR RTM)
SCALE 5:1

△ 6	2302790-3
△ 5	2302790-2
△ 4	2302790-1
PLATING	PART NO

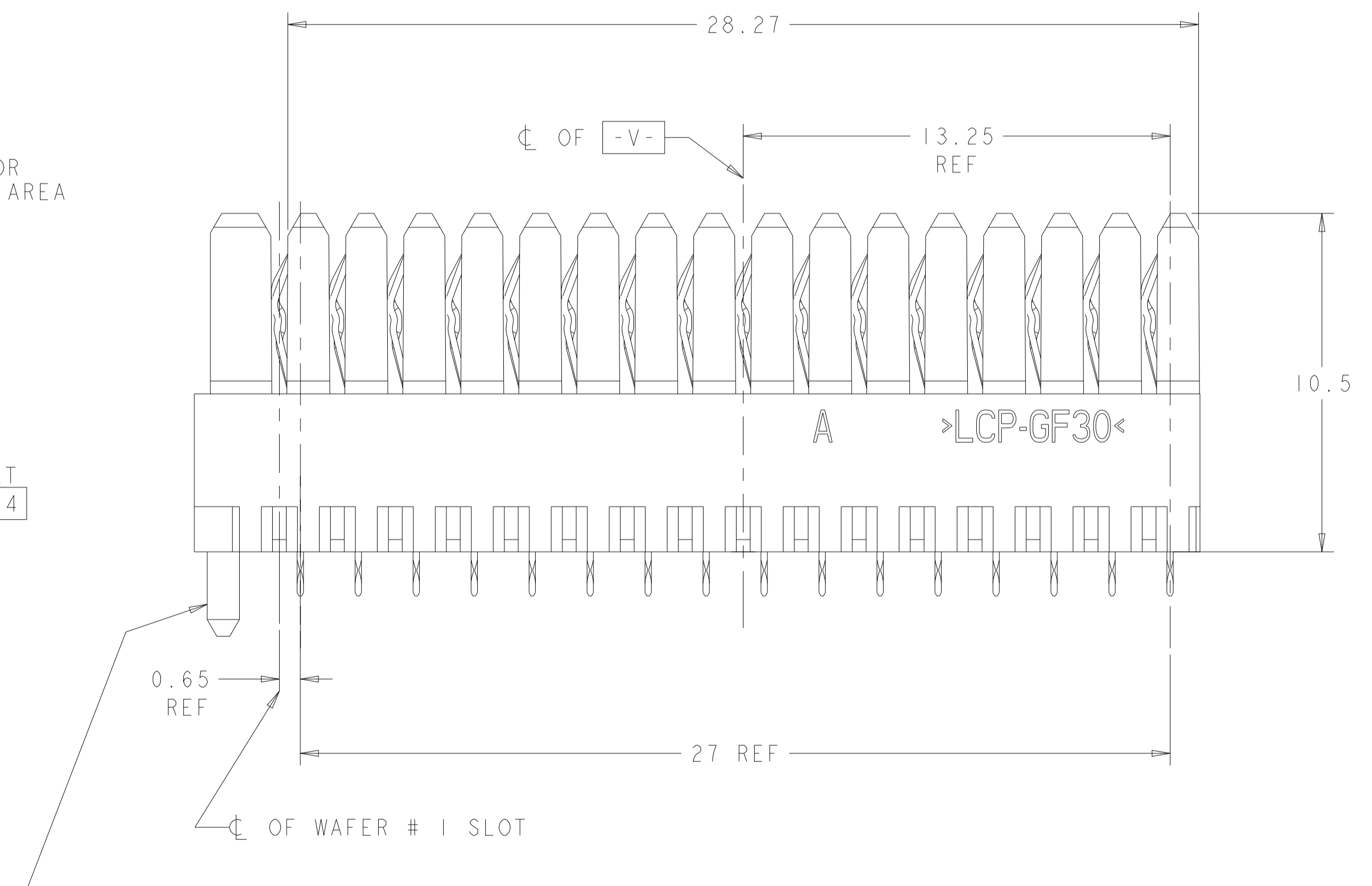
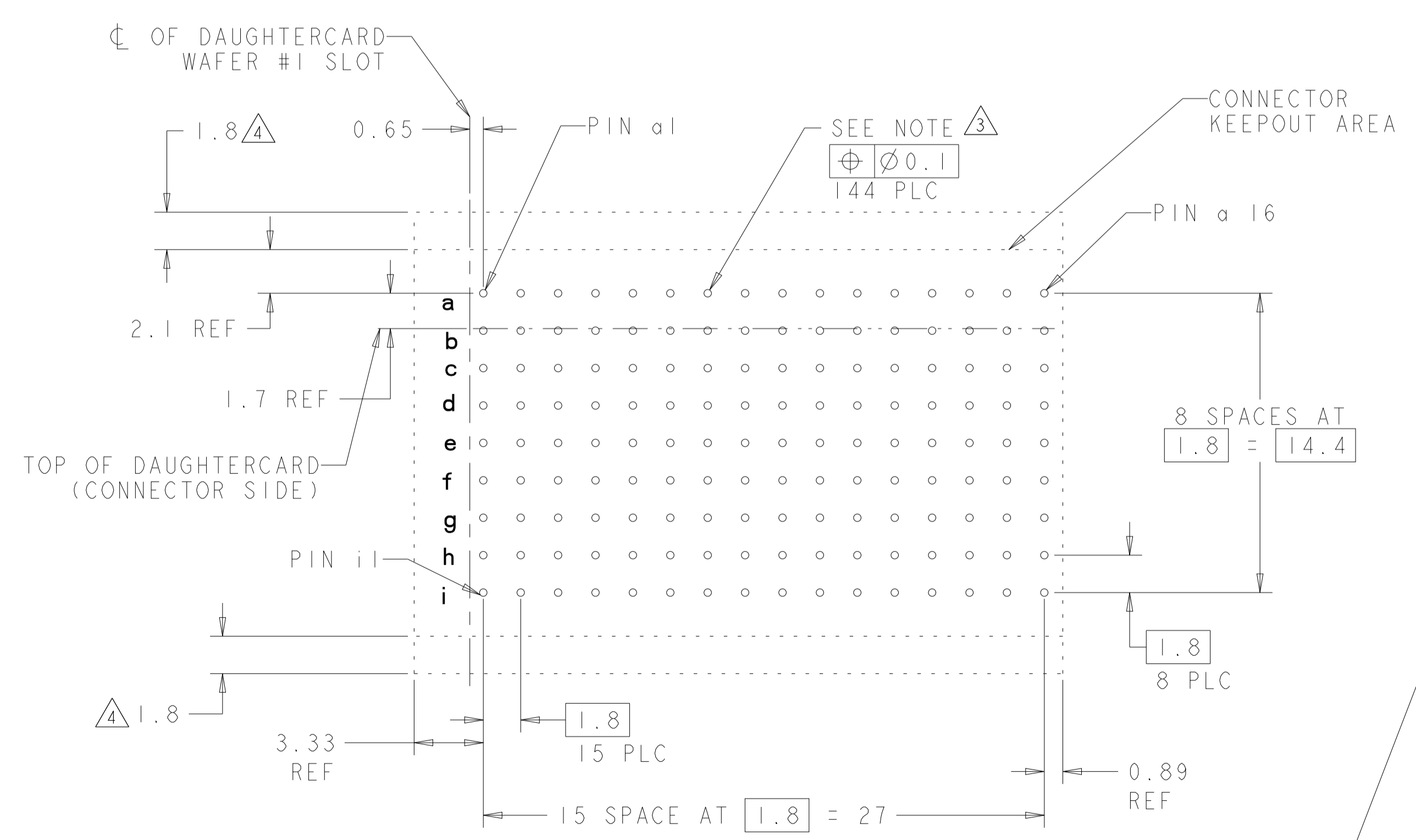
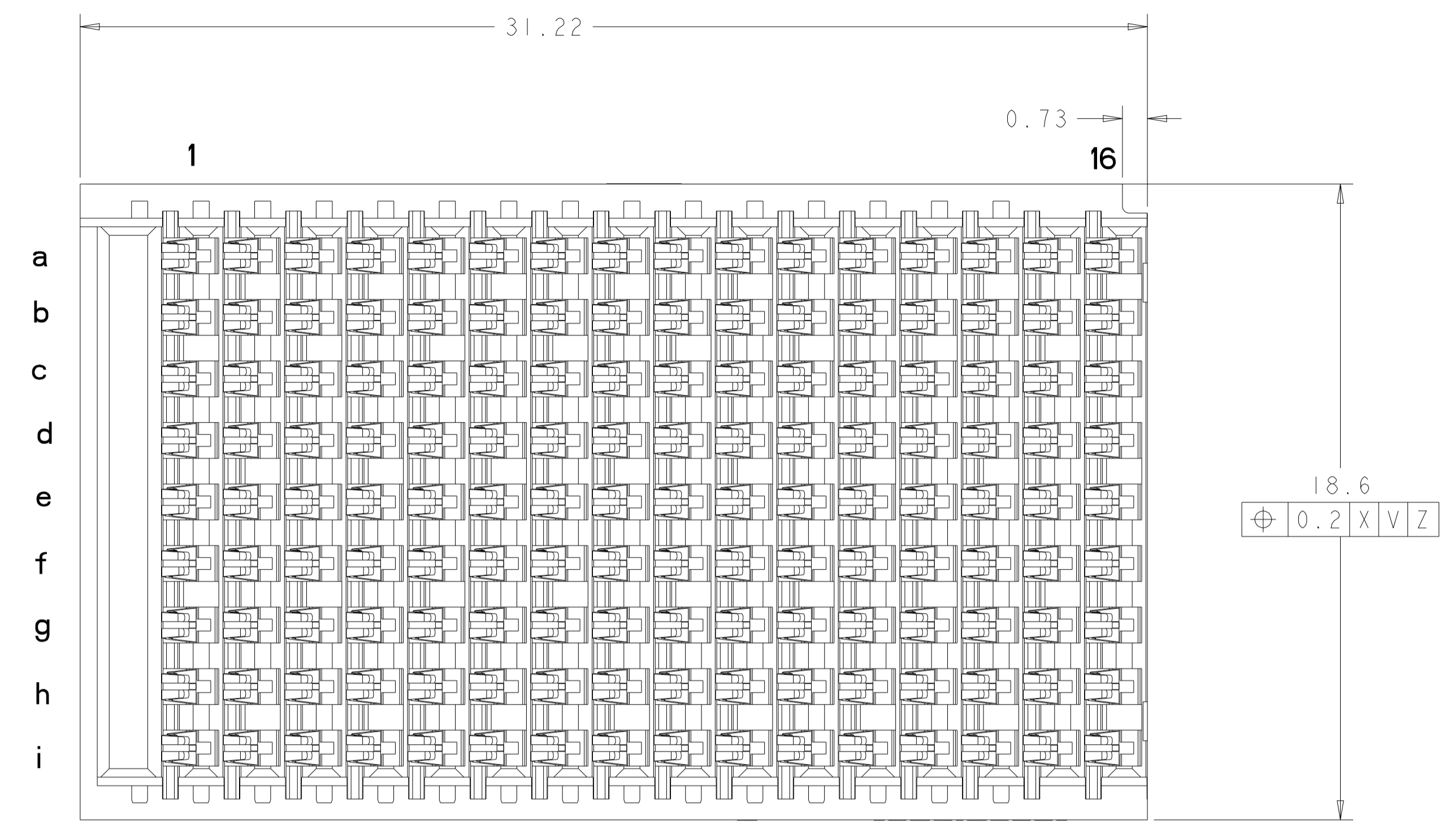
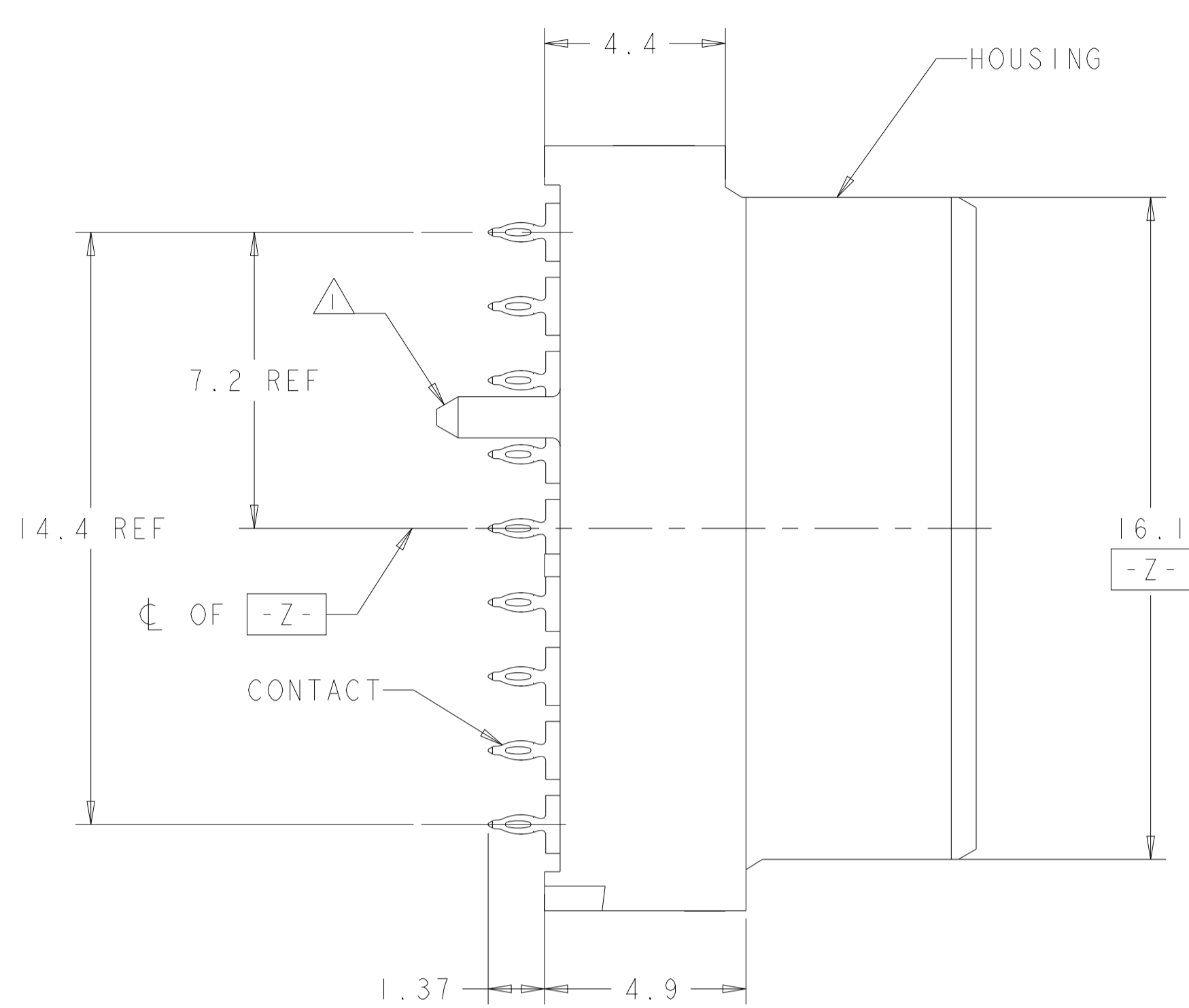
THIS DRAWING IS A CONTROLLED DOCUMENT.

DIMENSIONS:	TOLERANCES UNLESS OTHERWISE SPECIFIED:	OWN: R. MILLER 09AUG2016	CHK: A. TSANG 09AUG2016	APVD: -
mm	0 PLC ±0.5	NAME: VERTICAL RECEPTACLE ASSEMBLY, RIGHT END, MULTIGIG RT 3		
	2 PLC ±0.13	PRODUCT SPEC: 108-2072-3		
	3 PLC ±0.13	APPLICATION SPEC: -		
	4 PLC ±0.13	SIZE: 114-163004		
	ANGLES ±1°	CAGE CODE: A100779		
MATERIAL:	FINISH: SEE TABLE	DRAWING NO: C=2302790		
		RESTRICTED CUSTOMER		
		WEIGHT: 6.97g		
		SCALE: 8:1		
		SHEET 1 OF 2		
		REV C		

TE Connectivity

REVISIONS				
P	LTN	DESCRIPTION	DATE	APVD
-	-	SEE SHEET 1	-	-

REAR TRANSITION MODULE APPLICATION



PC BOARD REAR TRANSITION MODULE (CONNECTOR SIDE)
 SCALE 5:1

THIS DRAWING IS A CONTROLLED DOCUMENT.		DWN K. MILLER 09AUG2016	TE Connectivity	
DIMENSIONS:		CHK A. TSANG 09AUG2016	NAME VERTICAL RECEPTACLE ASSEMBLY, RIGHT END, MULTIGIG RT 3	
TOLERANCES UNLESS OTHERWISE SPECIFIED:		APVD	PRODUCT SPEC	
mm			108-2072-3	
0 PLC ±			APPLICATION SPEC	
1 PLC ±0.5			SIZE CAGE CODE DRAWING NO	
3 PLC ±			114-163004	
4 PLC ±			RESTRICTED TO	
ANGLES ±			WEIGHT 6.97g	
FINISH ±1°			A100779C=2302790	
MATERIAL			SCALE 8:1 SHEET 2 OF 2 REV C	
SEE TABLE			RESTRICTED CUSTOMER	