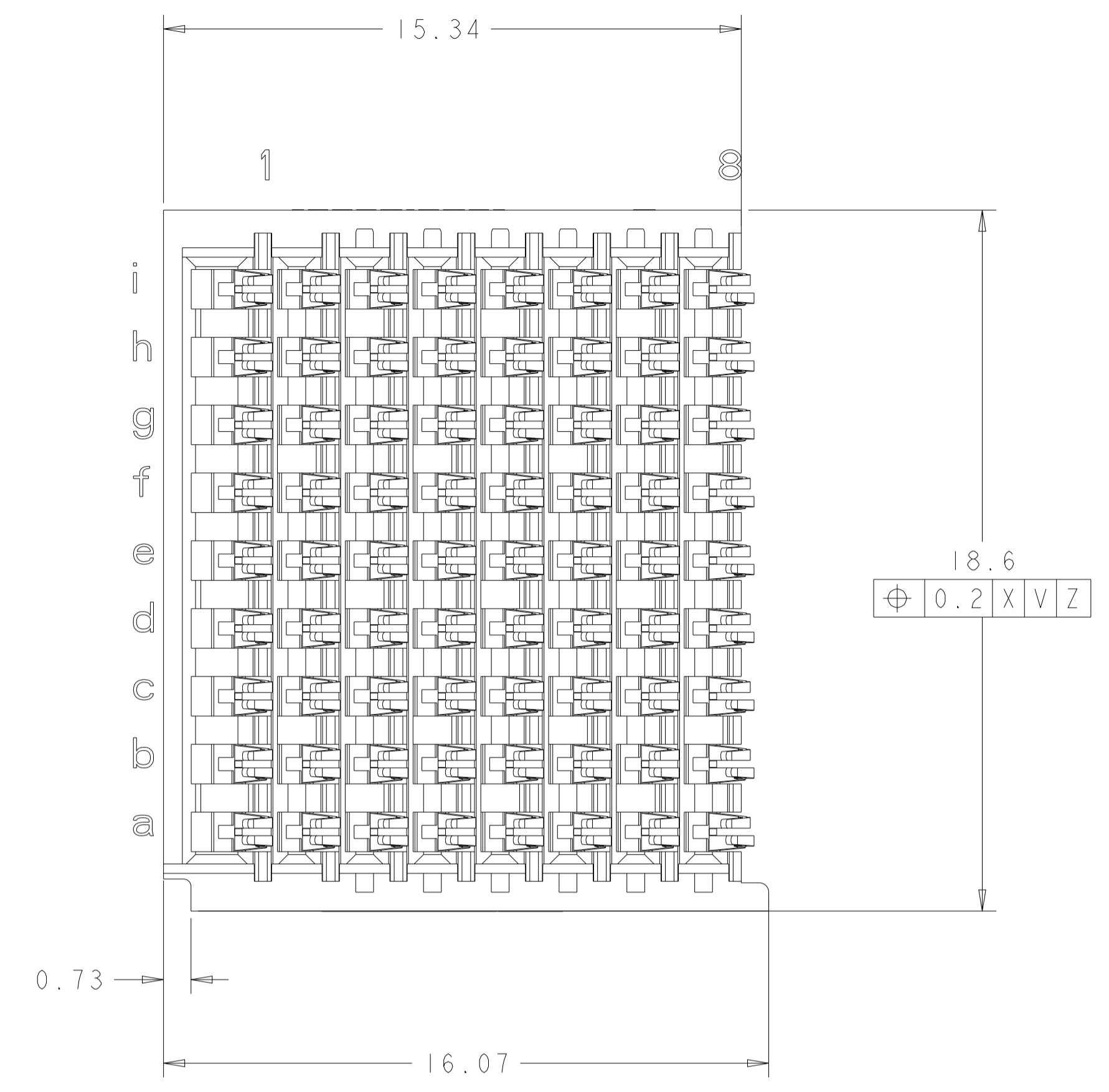
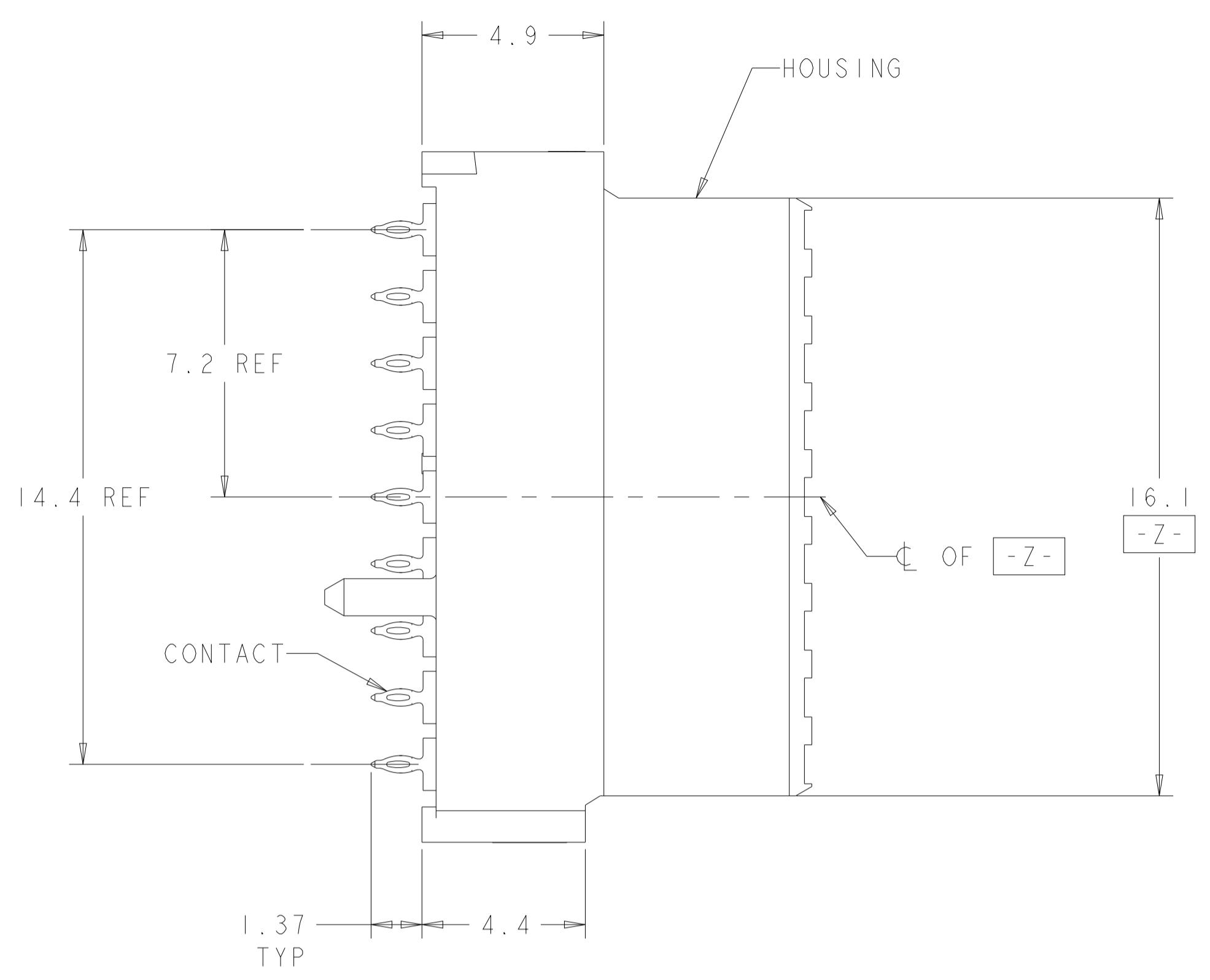
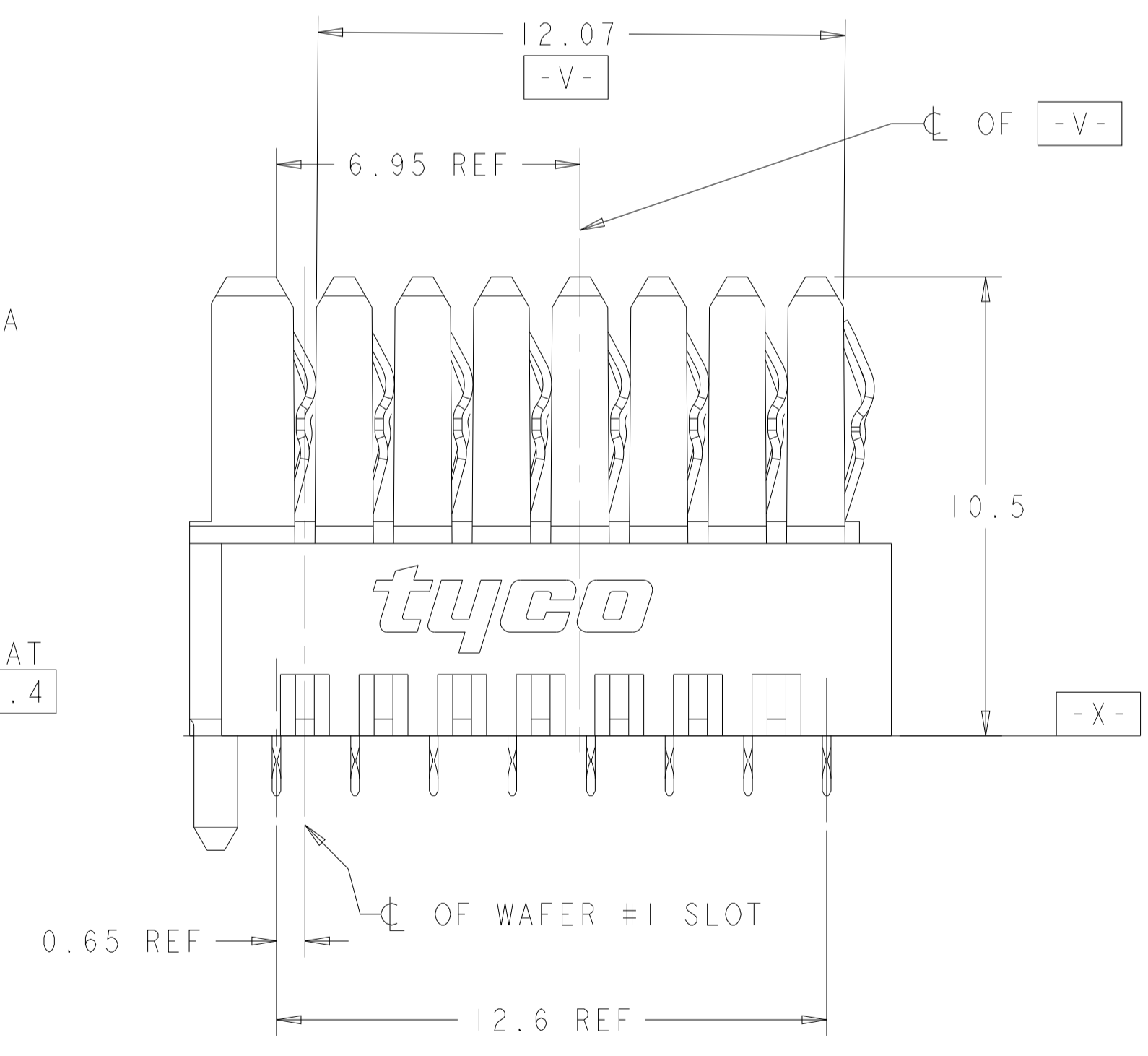
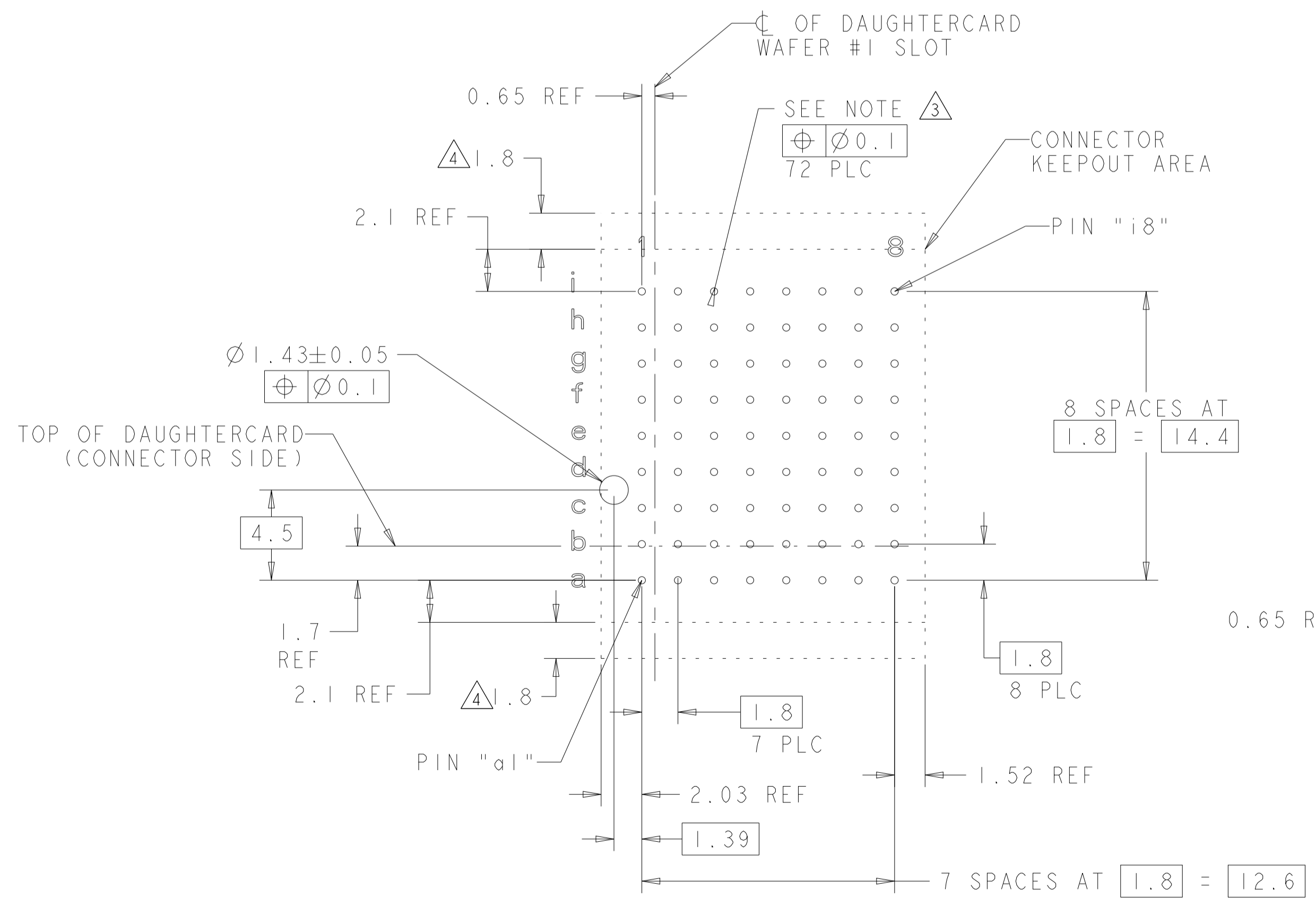


REVISIONS				
P	LTN	DESCRIPTION	DATE	APVD
A		RELEASED PER ECO-19-001811	05FEB2019	DCB AT
B		REVISED PER ECO-19-002318	14FEB2019	DCB DH
C		REVISED PER ECO-21-003080	25OCT2021	LN DH



- △ HOUSING: LCP, UL94V0, COLOR: BLACK.  
CONTACT: PHOSPHOR BRONZE.
- △ FINISH: 1.27µm GOLD IN CONTACT AREA 1.27µm  
MIN. TIN-LEAD (93/7) ON PCB TAIL OVER 2.54µm MIN.  
NICKEL OVER ALL.
- △ PLATED THRU HOLE SPECIFICATION:  
DRILLED HOLE:  $\varnothing 0.45 \pm 0.02$   
0.025-0.050 THICK COPPER PLATING (MAX HARDNESS 150 KNOOP)  
FINISH OPTIONS:  
0.0038-0.0124 HOT AIR SOLDER LEVELING (HASL) TIN-LEAD (SnPb)  
0.0005-0.004 IMMERSION TIN (Sn)  
0.0002-0.0005 ORGANIC SOLDERABILITY PRESERVATIVE (OSP)  
0.0001-0.0005 IMMERSION SILVER (Ag)  
0.0001-0.0005 IMMERSION GOLD OVER 0.00127-0.0076 NICKEL (ENIG)  
FINISH HOLE DIAMETER AFTER PLATING =  $\varnothing 0.36$  REF
- △ ADDITIONAL CONNECTOR-SIDE KEEPOUT AREA  
REQUIRED IF CONNECTOR-SIDE EXTRACTION  
TOOL IS TO BE USED.
- △ FINISH: 1.27µm MIN GOLD IN CONTACT AREA,  
0.50µm MIN TIN ON PCB TAIL OVER  
2.54µm MIN. NICKEL OVER ALL.
- △ FINISH: 1.27µm GOLD IN CONTACT AREA 1.27µm  
MIN. TIN-LEAD (60/40) ON PCB TAIL OVER 2.54µm MIN.  
NICKEL OVER ALL.



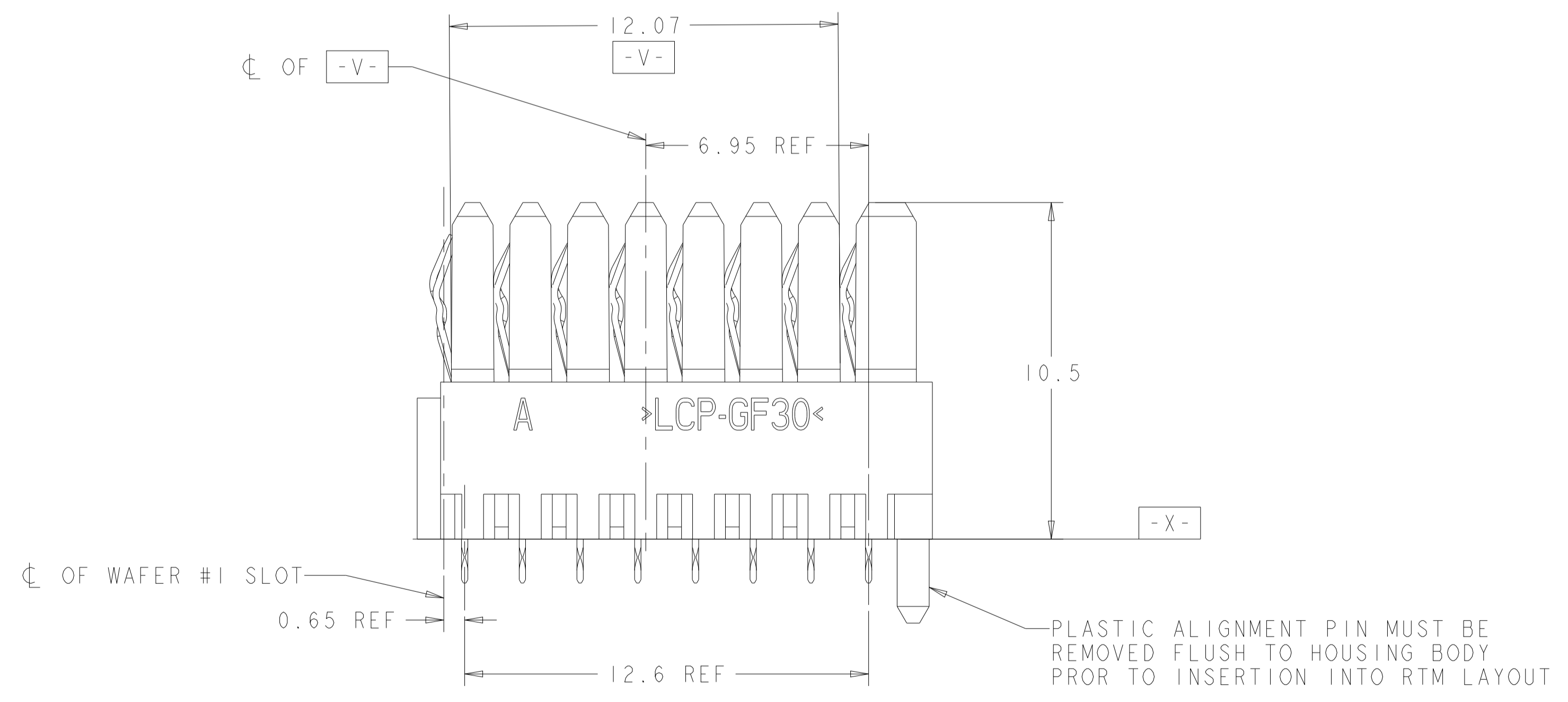
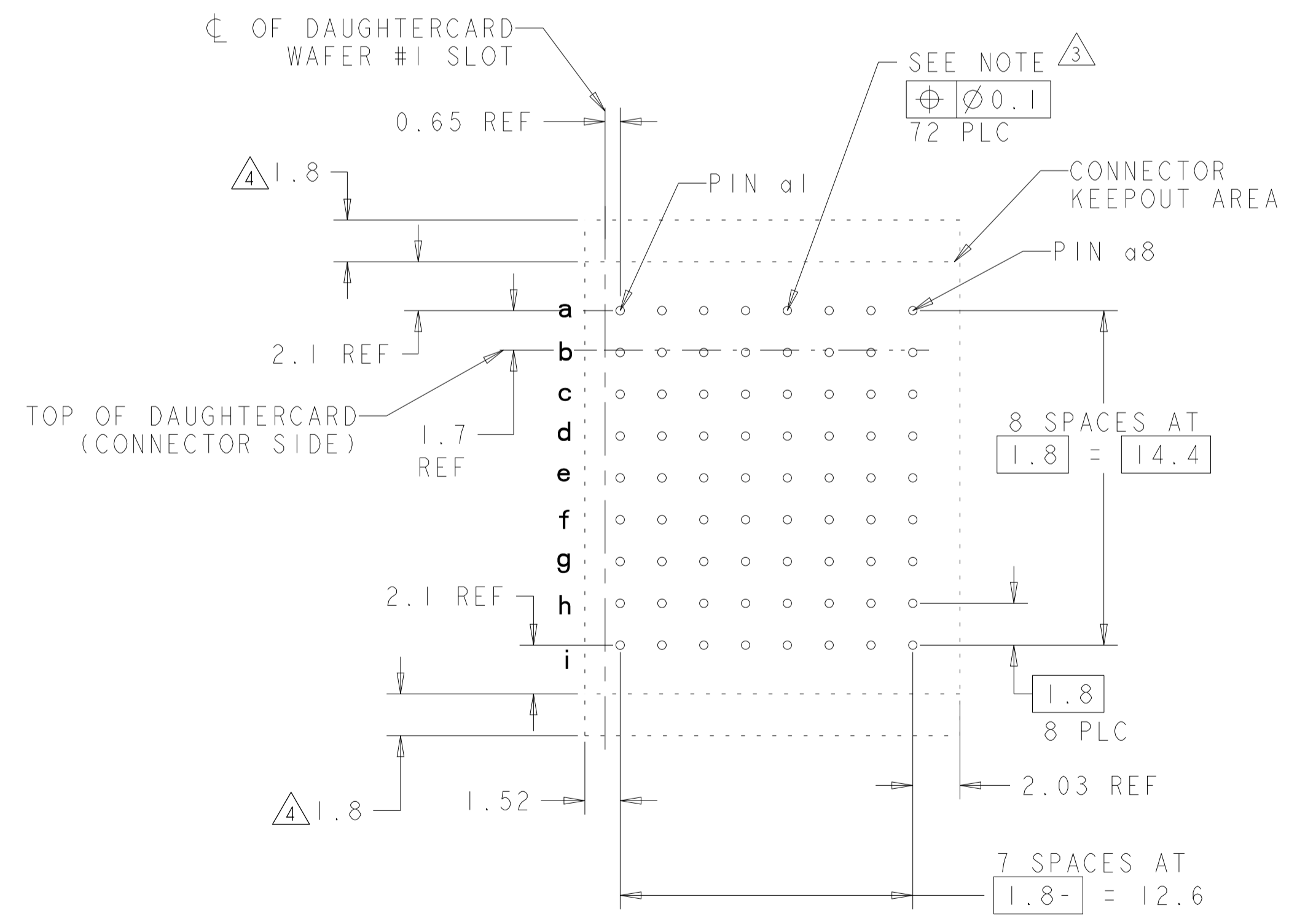
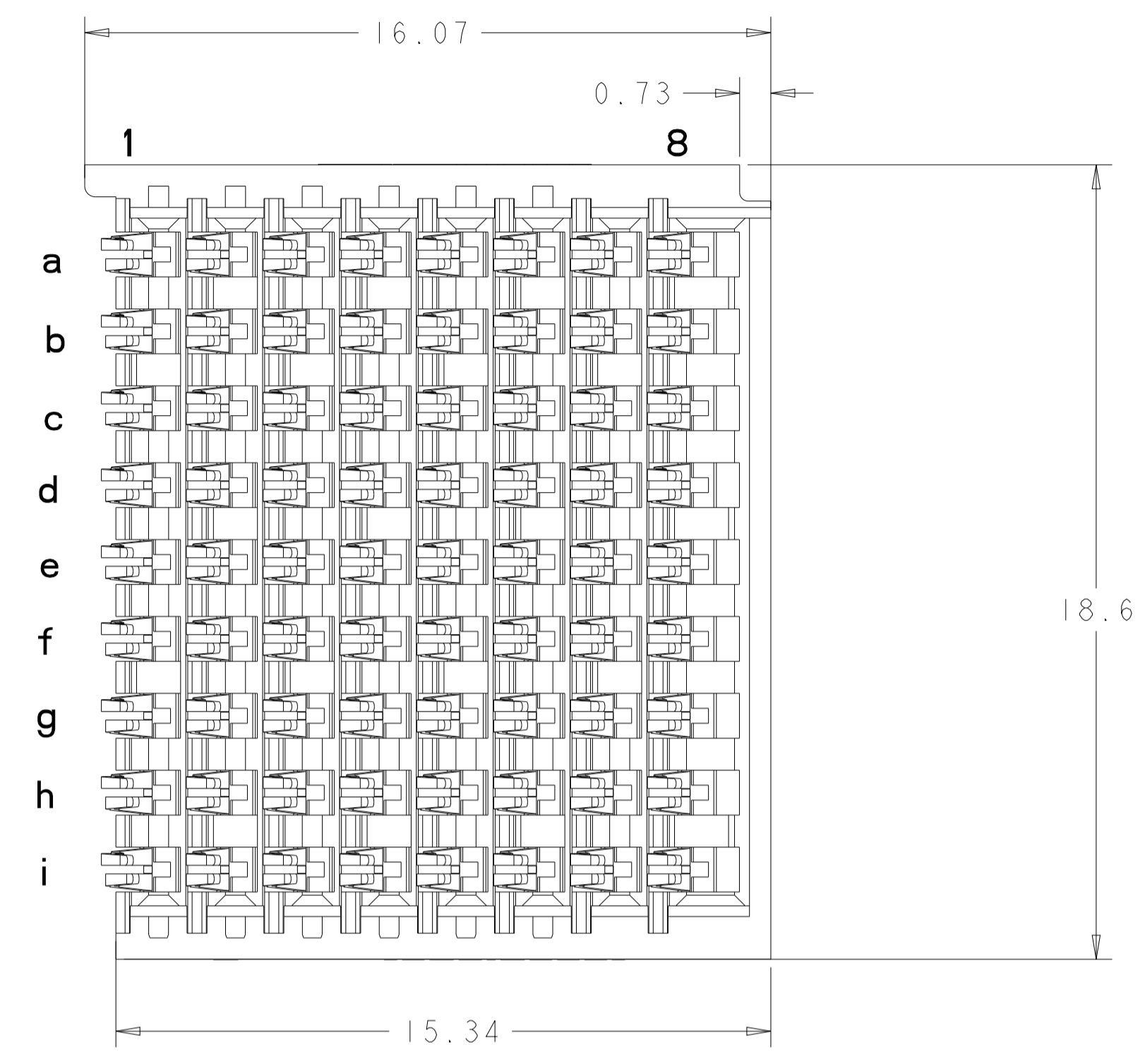
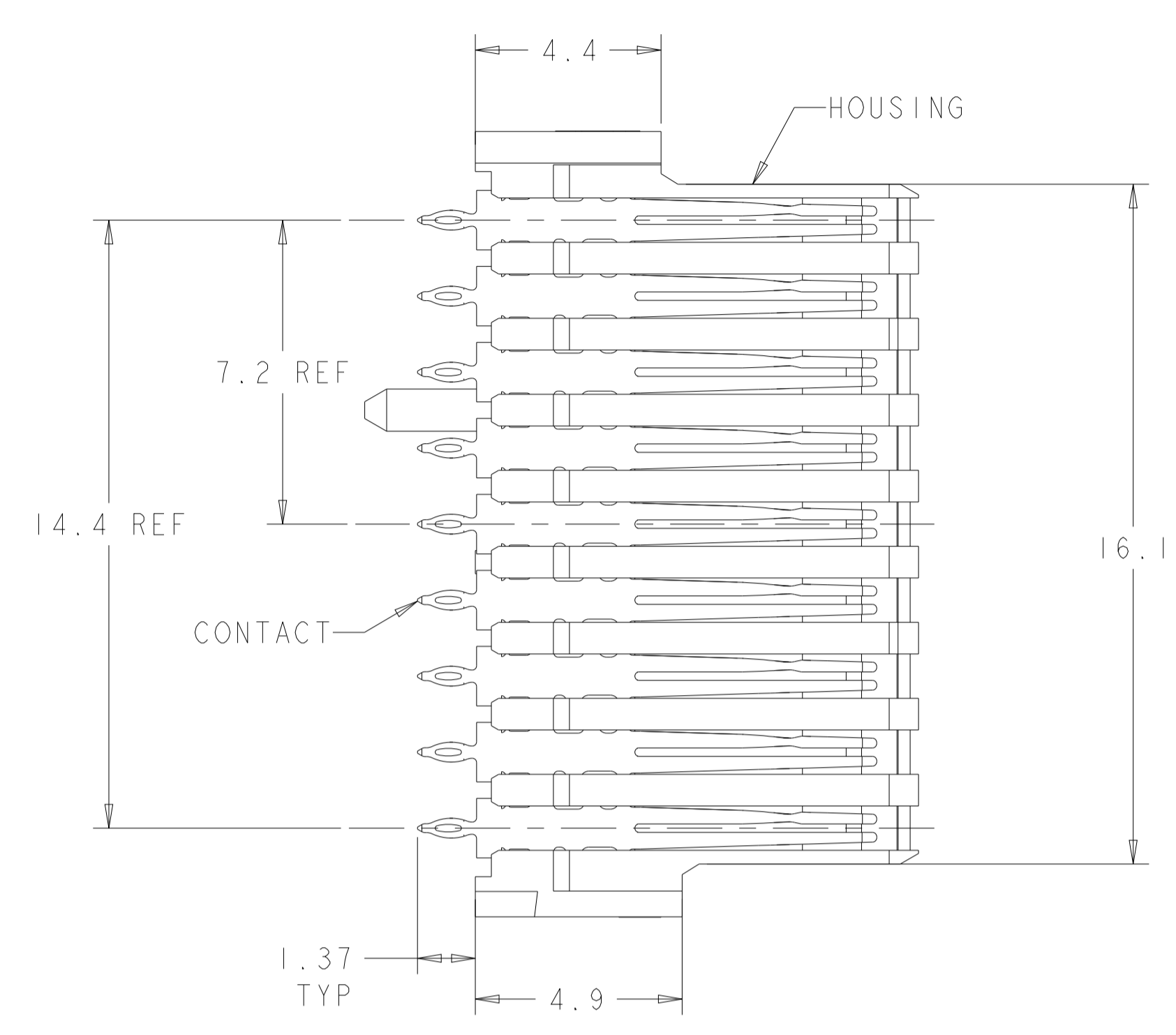
PC BOARD LAYOUT  
(CONNECTOR SIDE)  
SEE SHEET 2 FOR RTM)  
SCALE 5:1

△ 6	2302788-3
△ 5	2302788-2
△ 2	2302788-1
PLATING	PART NO

THIS DRAWING IS A CONTROLLED DOCUMENT.		OWN K. MILLER CHK A. TSANG	09AUG2016 09AUG2016	TE Connectivity	
DIMENSIONS:		TOLERANCES UNLESS OTHERWISE SPECIFIED:		NAME	
mm	0 PLC ±	1 PLC ±0.5	2 PLC ±0.13	PRODUCT SPEC	
	3 PLC ±	4 PLC ±	ANGLES ±	108-2072-3	
	FINISH ±1°	MATERIAL		APPLICATION SPEC	
	SEE TABLE	114-163004	SIZE	114-163004	
		WEIGHT	3.55g		RESTRICTED TO
		RESTRICTED CUSTOMER		A100779C=2302788	
		SCALE	8:1		SHEET 1 OF 2
				REV C	

REVISIONS				
P	LTN	DESCRIPTION	DATE	APVD
-	-	SEE SHEET 1	-	-

# REAR TRANSITION MODULE APPLICATION



RTM PC BOARD LAYOUT  
(CONNECTOR SIDE)  
SCALE 5:1

THIS DRAWING IS A CONTROLLED DOCUMENT.		DWN K. MILLER CHK A. TSANG	09AUG2016 09AUG2016	TE Connectivity
DIMENSIONS:		APVD		
mm	0 PLC ±0.5 1 PLC ±0.5 2 PLC ±0.13 3 PLC ±0.13 4 PLC ±0.13 ANGLES ±1°	PRODUCT SPEC 108-2072-3 APPLICATION SPEC		NAME VERTICAL RECEPTACLE ASSEMBLY, LEFT END, HALF, MULTIGIG RT 3
MATERIAL		SIZE CAGE CODE DRAWING NO		
SEE TABLE		WEIGHT 3.55g		RESTRICTED TO
		RESTRICTED CUSTOMER		SCALE 8:1 SHEET 2 OF 2 REV C