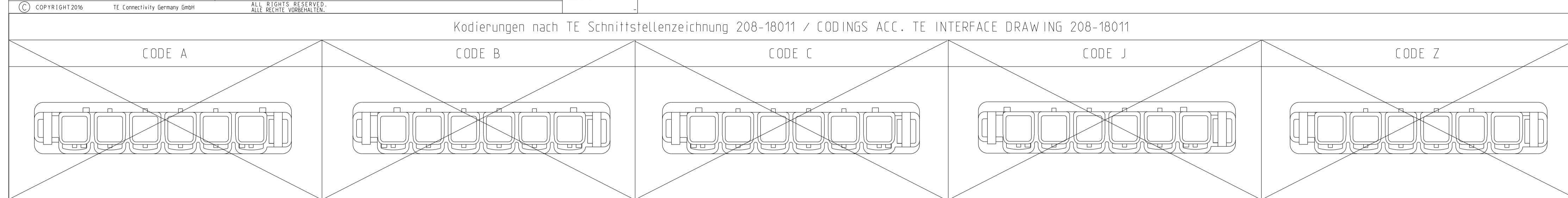
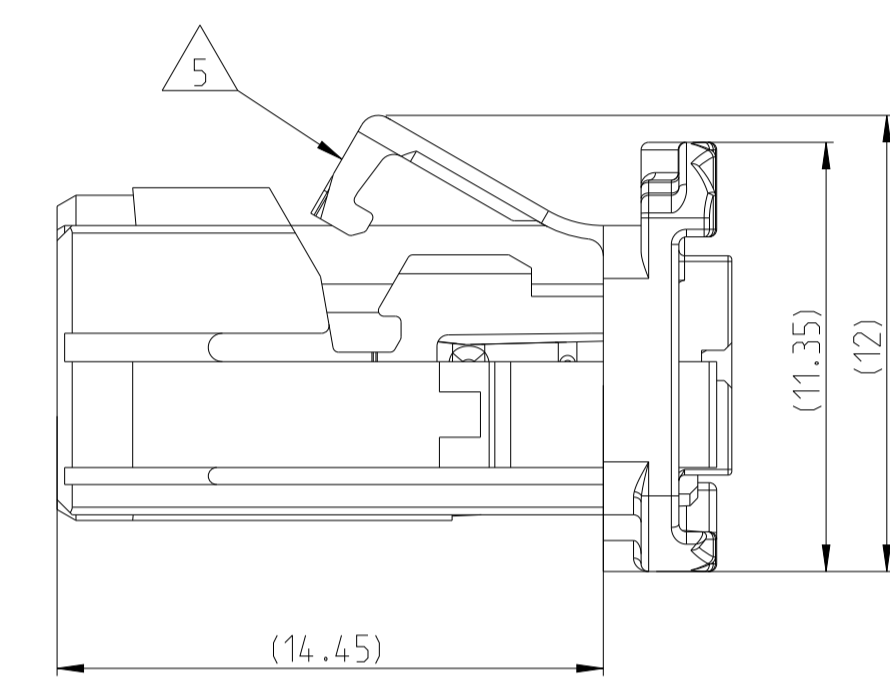
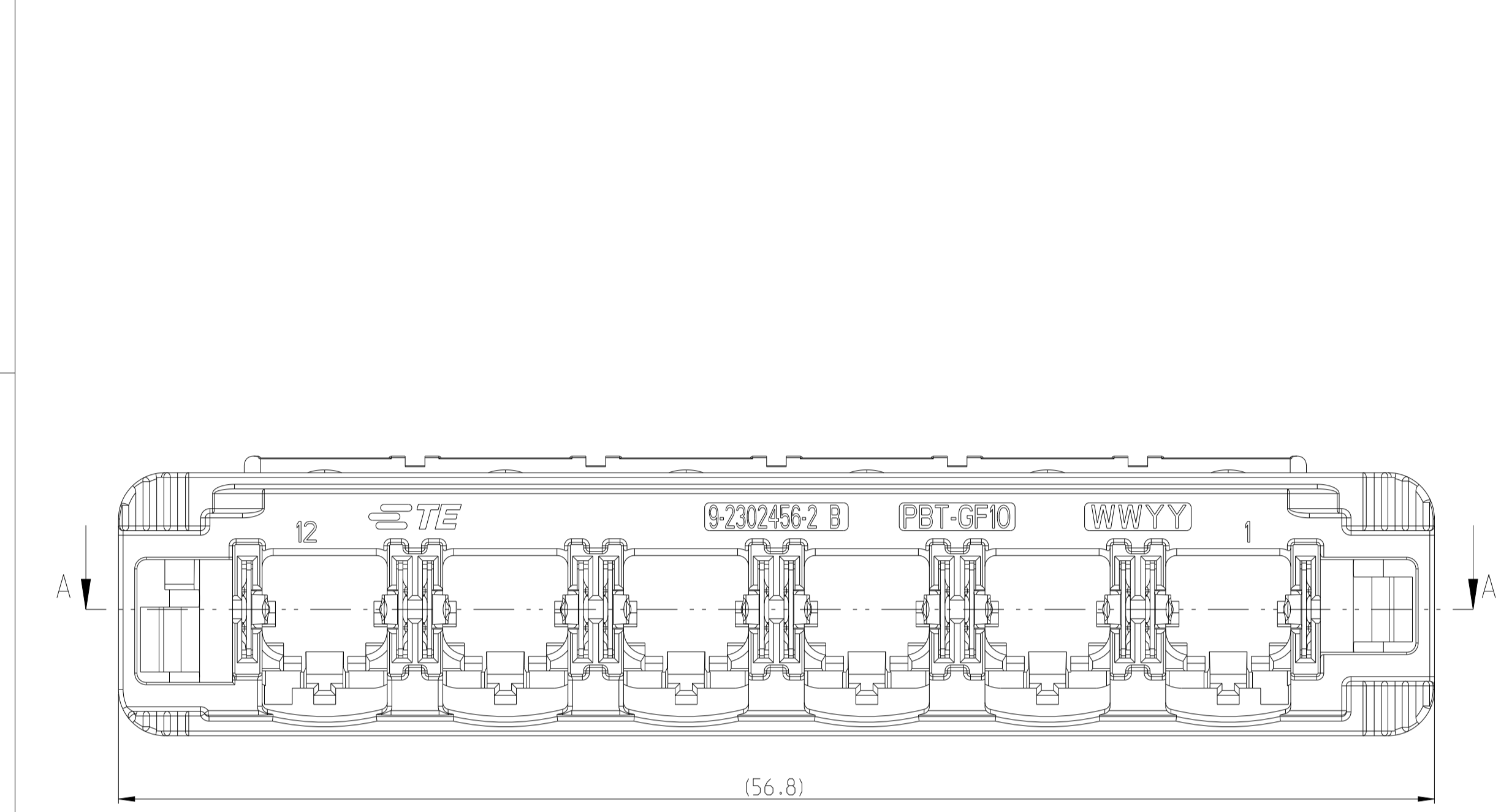


- Notizen / NOTES
- 0-2302516-1 Kodierung A wie dargestellt  
0-2302516-1 CODING A AS SHOWN
  - Passend zu Stiftwanne nach TE-Schnittstellenzeichnung 208-18011  
MATING TO PINHEADER ACC. TE-INTERFACE DRAWING 208-18011
  - Kammer fuer MATEnet 2Pos. NanoMQS female Insert module TE PN 0-2302450-X  
CAVITY FOR MATEnet 2Pos. NanoMQS FEMALE INSERT MODULE TE PN 0-2302450-X
  - Materialkennzeichnung  
MATERIAL MARKING
  - TE-Logo  
TE-LOGO
  - TE-PN der Komponente "6-Port MATEnet Frame"  
TE-PN OF COMPONENT "6-PORT MATEnet FRAME"
  - Revisionsstand der Komponente "MATEnet 6-Port Frame"  
PART REVISION OF COMPONENT "MATEnet 6-PORT FRAME"
  - Kontaktkammernummer  
CONTACT CAVITY NUMBER
  - Baugruppen-PN und Rev.. aufgedruckt oder gelasert. siehe Tabelle  
ASSEMBLY-PN and REV.. PRINTED OR LASERMARKED. SEE TABLE
  - Anlieferungszustand: 2. Kontaktsicherung geöffnet!  
DELIVERY CONDITION: RETAINER IN OPEN POSITION
  - Verpackung: Schuetztgut im Beutel im Karton  
DELIVERY: LOOSE PIECES IN BAG IN BOX

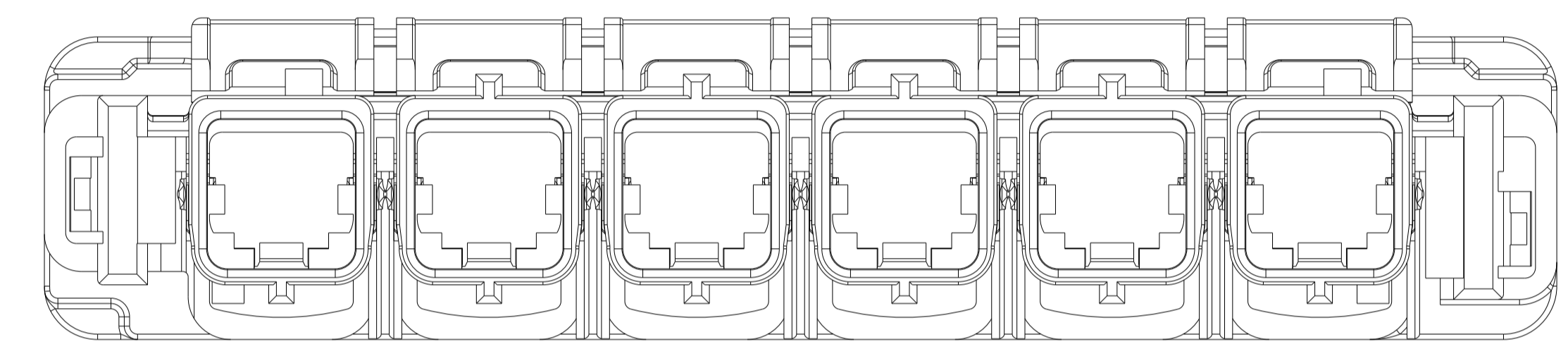
ASSY PN	REV.	CODE	QTY.	DESCRIPTION	MATERIAL	COLOR/SURFACE SIMILAR RAL	WEIGHT [g]	POS
0-2302516-9	A	Z	12	MATEnet STP Contact Spring	X10CrNi18-8	Sn	3.9	2
			1	6-Port MATEnet Frame, Code Z	PBT GF-10	WATER-BLUE 5021		1
0-2302516-7	A	J	12	MATEnet STP Contact Spring	X10CrNi18-8	Sn	3.9	2
			1	6-Port MATEnet Frame, Code J	PBT GF-10	BEIGE 1001		1
0-2302516-3	A	C	12	MATEnet STP Contact Spring	X10CrNi18-8	Sn	3.9	2
			1	6-Port MATEnet Frame, Code C	PBT GF-10	BLUE 5012		1
0-2302516-2	A	B	12	MATEnet STP Contact Spring	X10CrNi18-8	Sn	3.9	2
			1	6-Port MATEnet Frame, Code B	PBT GF-10	WHITE 9010		1
0-2302516-1	A	A	12	MATEnet STP Contact Spring	X10CrNi18-8	Sn	3.9	2
			1	6-Port MATEnet Frame, Code A	PBT GF-10	BLACK 9011		1



PROJEKT NR.:		REVISIONS		
P.	LTN.	ÄNDERUNGEN	DATE	DWN.
		BESCHREIBUNG		APVD.
-	-	SEE SHEET 1	-	-

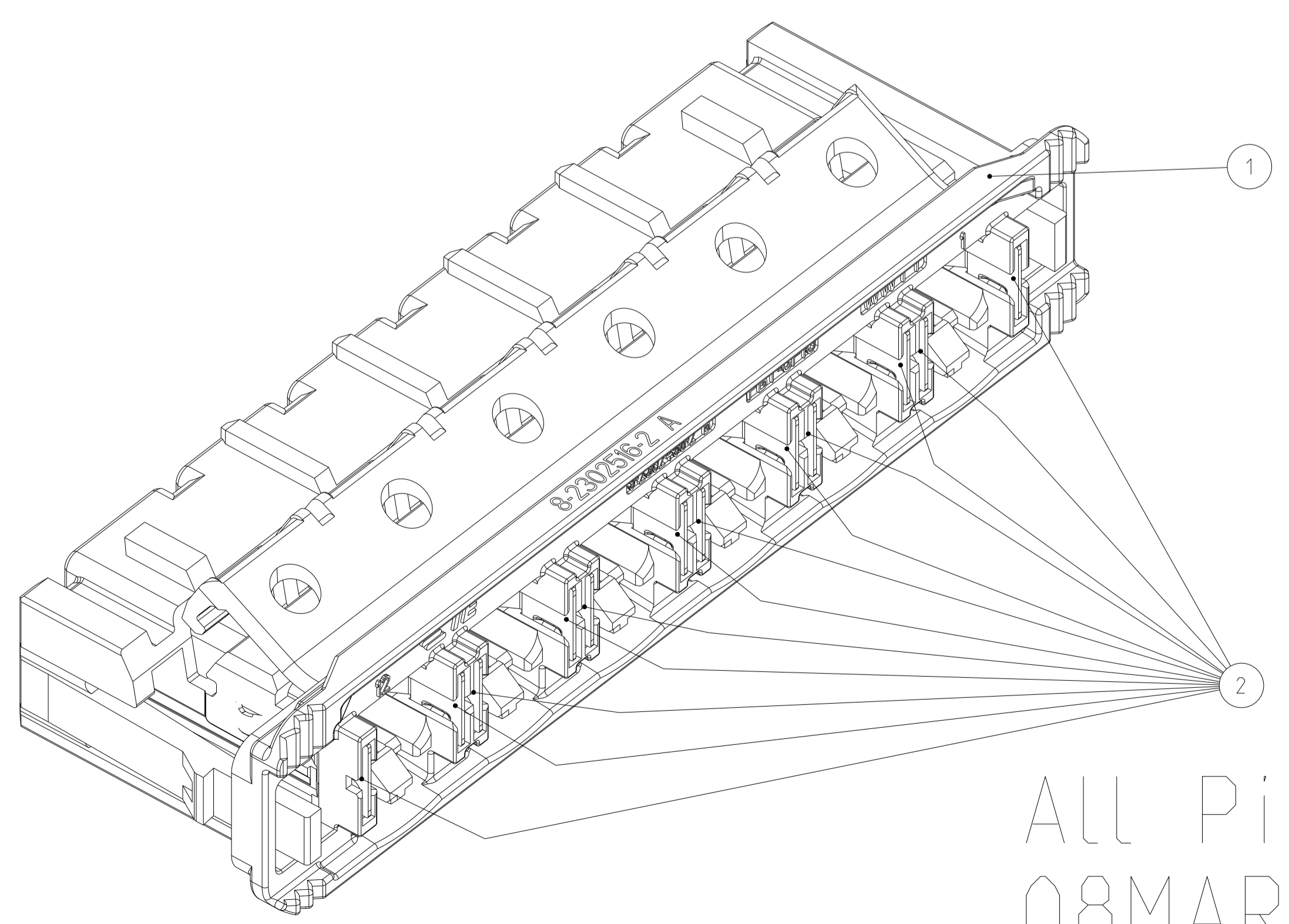
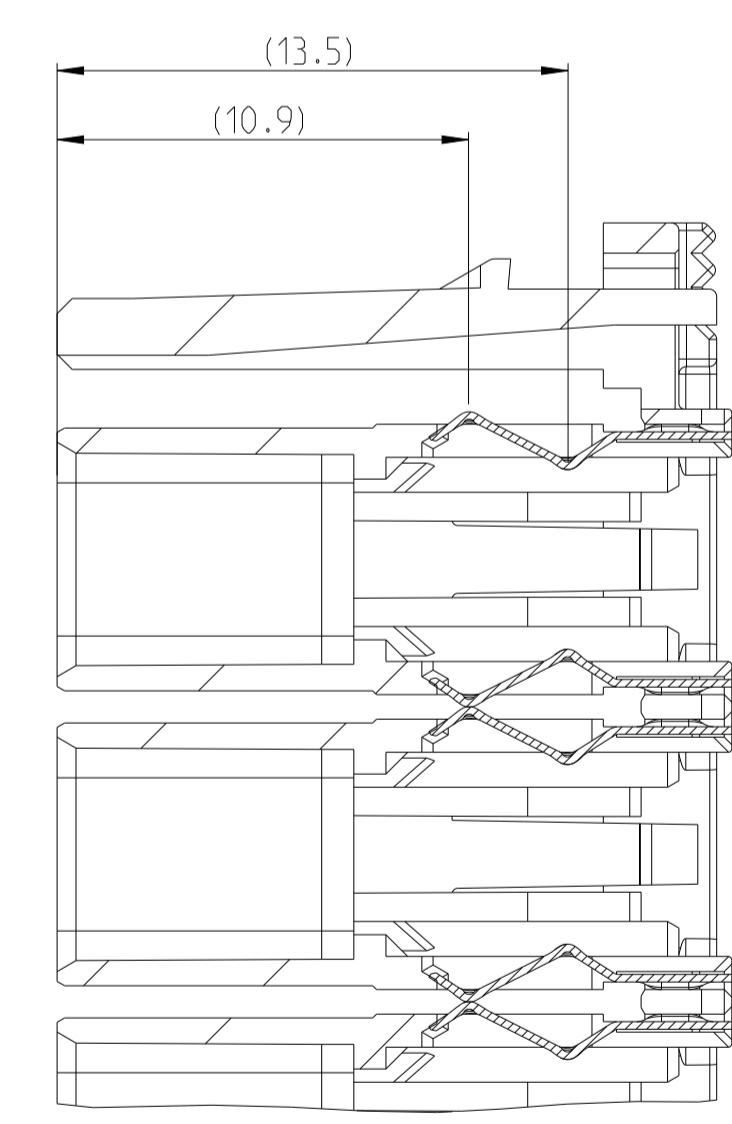


A-A



- Bemerkungen / NOTES
- 8-2302516-2 wie dargestellt, Kodierung B  
8-2302516-2 AS SHOWN, CODE B
  - Massgebend ist der deutsche Text  
ONLY GERMAN LANGUAGE SHALL BE BINDING
  - Alle Masse in Klammern nur zur Information  
ALL DIMENSIONS IN BRACKETS FOR INFORMATION ONLY
  - Verpackung: Karton  
PACKAGING: BOX
  - Anlieferungszustand: 2. Kontaktsicherung geöffnet  
CONDITION OF DELIVERY: RETAINER OPEN

**NUR FUER B-MUSTER  
FOR PROTOTYPE B-SAMPLES ONLY**



ASSY PN	REV.	CODE	QTY.	DESCRIPTION	MATERIAL	COLOR/SURFACE SIMILAR RAL	WEIGHT [g]	POS
8-2302516-9	A	Z	12	MATenet STP Contact Spring	X10CrNi18-8	Sn	3.9	2
			1	6-Port MATenet Frame, Code Z	PBT GF-10	WATER-BLUE 5021		1
8-2302516-7	A	J	12	MATenet STP Contact Spring	X10CrNi18-8	Sn	3.9	2
			1	6-Port MATenet Frame, Code J	PBT GF-10	BEIGE 100T		1
8-2302516-3	A	C	12	MATenet STP Contact Spring	X10CrNi18-8	Sn	3.9	2
			1	6-Port MATenet Frame, Code C	PBT GF-10	BLUE 5012		1
8-2302516-2	A	B	12	MATenet STP Contact Spring	X10CrNi18-8	Sn	3.9	2
			1	6-Port MATenet Frame, Code B	PBT GF-10	WHITE 9010		1
8-2302516-1	A	A	12	MATenet STP Contact Spring	X10CrNi18-8	Sn	3.9	2
			1	6-Port MATenet Frame, Code A	PBT GF-10	BLACK 9011		1

ALL Pilot Assemblies obsolete.  
08MAR2019

THIS DRAWING IS A CONTROLLED DOCUMENT.

DIMENSIONS: MASSENHEITEN: mm

TOLERANCES UNLESS OTHERWISE SPECIFIED: ALLE DIMENSIONEN

0 PLC ±0.2  
1 PLC ±0.1  
2 PLC ±0.05  
3 PLC ±  
4 PLC ±

ANGLES/WINKEL: °  
FINISH/OBERFLÄCHE/FARBE: see table

MATERIAL: see table

DWN: J. Kießweller  
CHK: R. Wuerker  
APVD: A. Kettler

210CT2016  
210CT2016

APPLICATION SPEC: VERARBEITUNGSPEZ.  
ANLEGE/ANWENDE: 114-94431

WEIGHT: see table  
GEWICHT: see table

CUSTOMER DRAWING

DATE: 190CT2016

NAME: 6-Port MATenet STP Frame Ass'y

SIZE: A1  
CAGE CODE: 00779  
DRAWING NO: 210CT2016  
DRAWING NO: 210CT2016

RESTRICTED TO: NUR FUER

SCALE: 1:1  
SHEET: 2 OF 2  
REV: A3

TE Connectivity