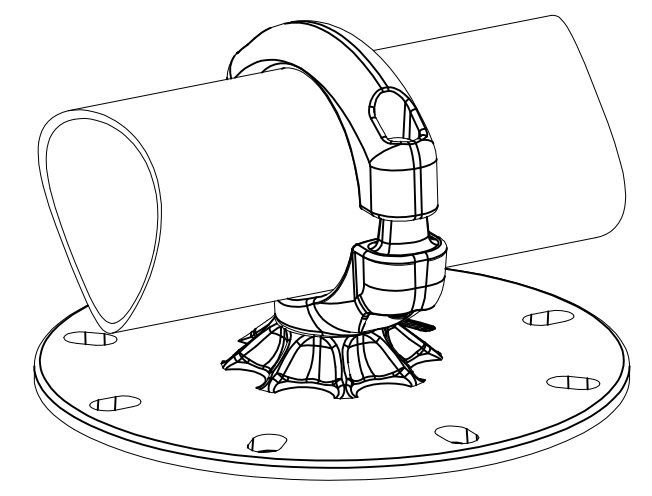
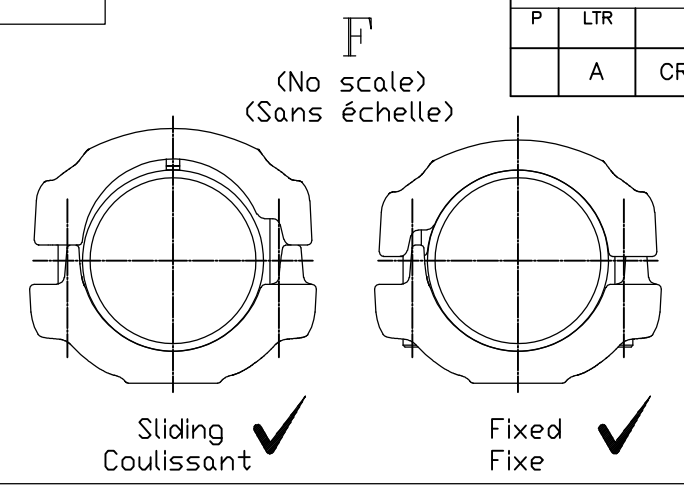
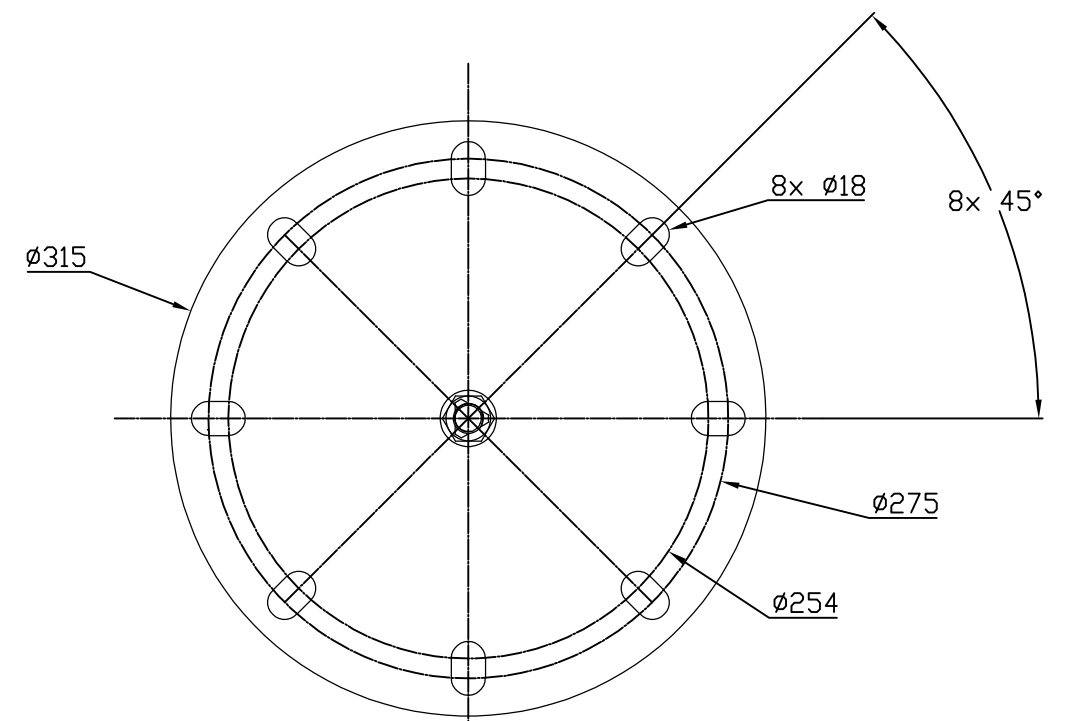


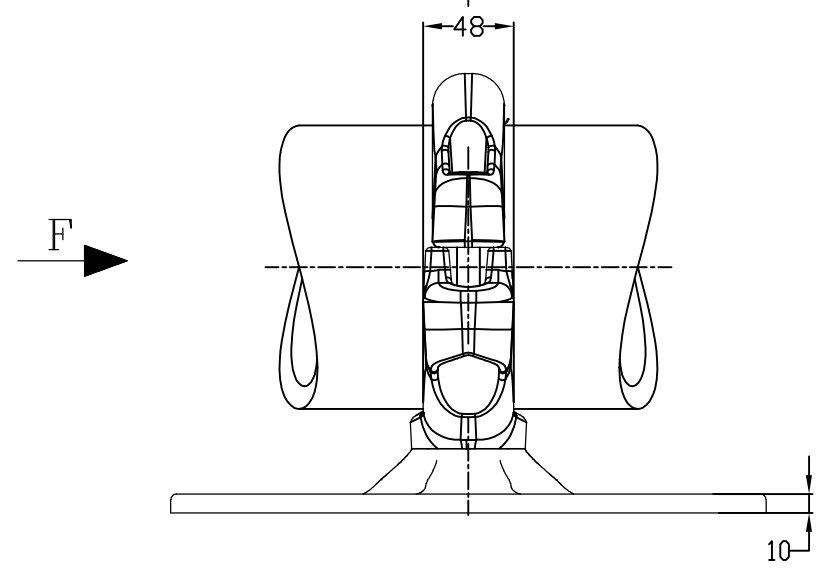
THIS DRAWING IS UNPUBLISHED. RELEASED FOR PUBLICATION
 © COPYRIGHT - By - ALL RIGHTS RESERVED.

P		LTR		DESCRIPTION	DATE	DWN	APVD
A		CREATION			10-Mar-16	JPM	-

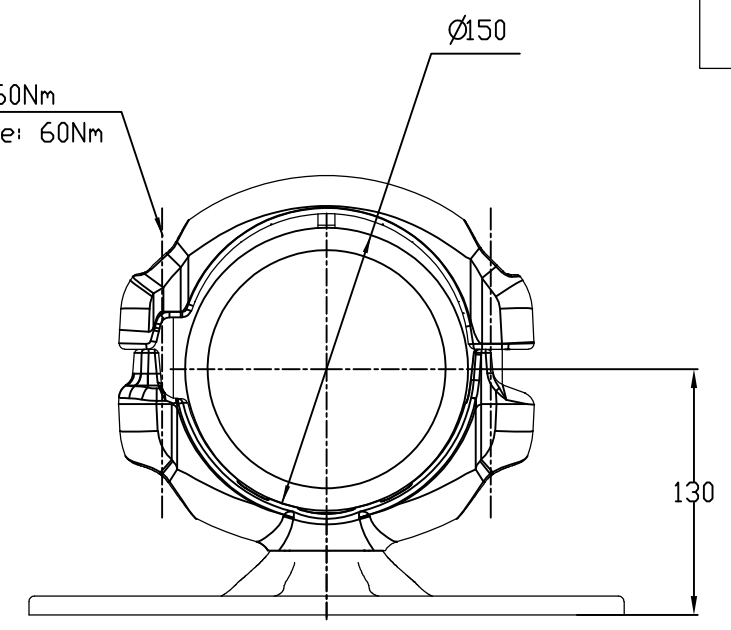


No scale
Sans échelle

M12 Stainless steel bolts: 60Nm
 Boulons M12 acier inoxydable: 60Nm



Fixed or sliding
Fixe ou coulissant



ITEM:.....

THIS DRAWING IS A CONTROLLED DOCUMENT.		DWN	MOYEUX	10-Mar-16	STE TE Connectivity		
DIMENSIONS: mm		CHK	-	-			
TOLERANCES UNLESS OTHERWISE SPECIFIED:		APVD	-	-	NAME		
0 PLC ± -		PRODUCT SPEC	108-69090-001		Ø150 BUSBAR SUPPORT ON BPI		
1 PLC ± -		APPLICATION SPEC	-		SUPPORT TUBE Ø150 SUR ISO		
2 PLC ± -					SIZE	CAGE CODE	DRAWING NO
3 PLC ± -					A3	00779	©=2301592
4 PLC ± -					RESTRICTED TO		
ANGLES ± -					-		
FINISH		WEIGHT	3.8 kg		SCALE 1/4		
MATERIAL		CUSTOMER DRAWING		SHEET 1 OF 1		REV A	