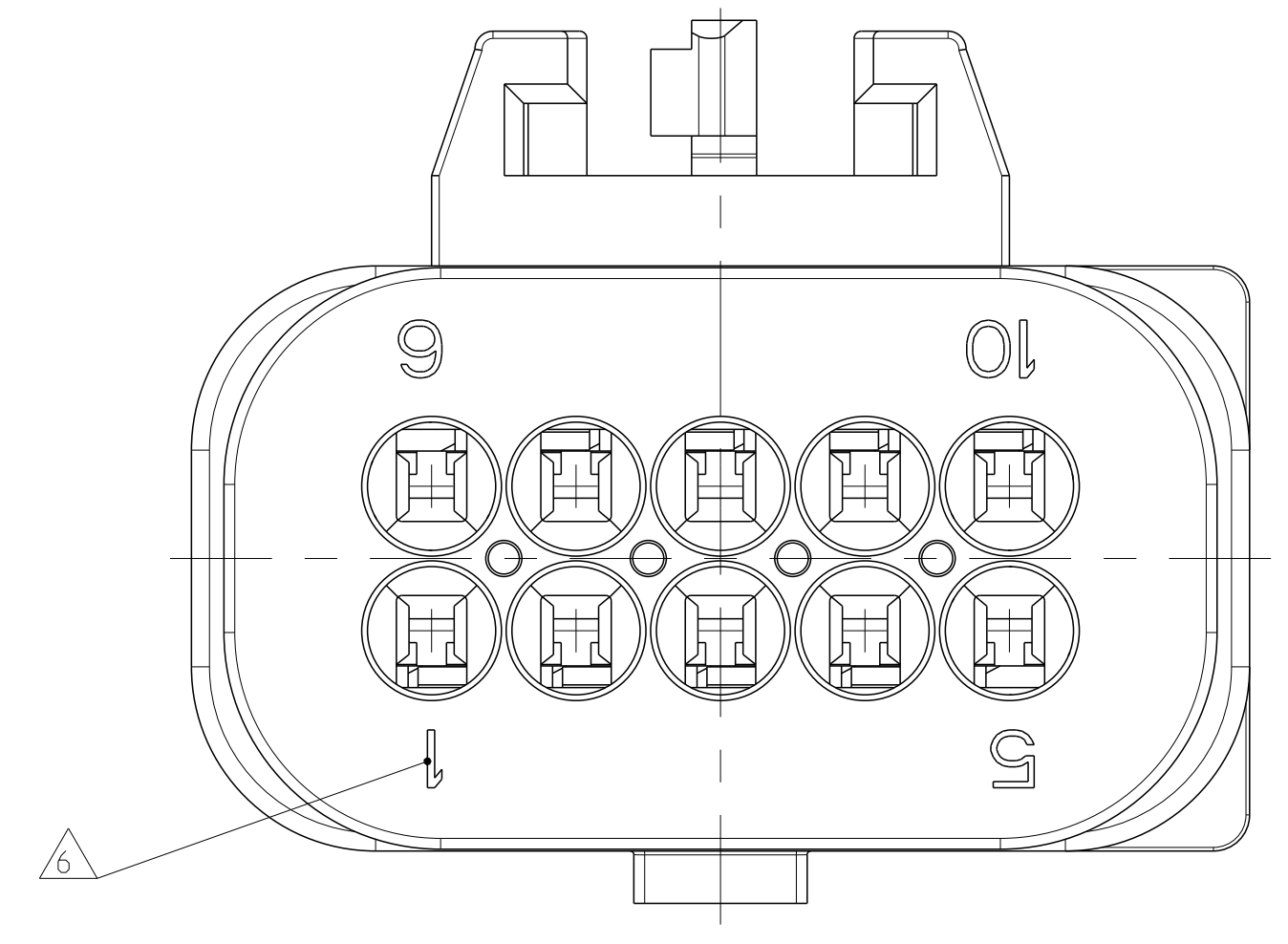
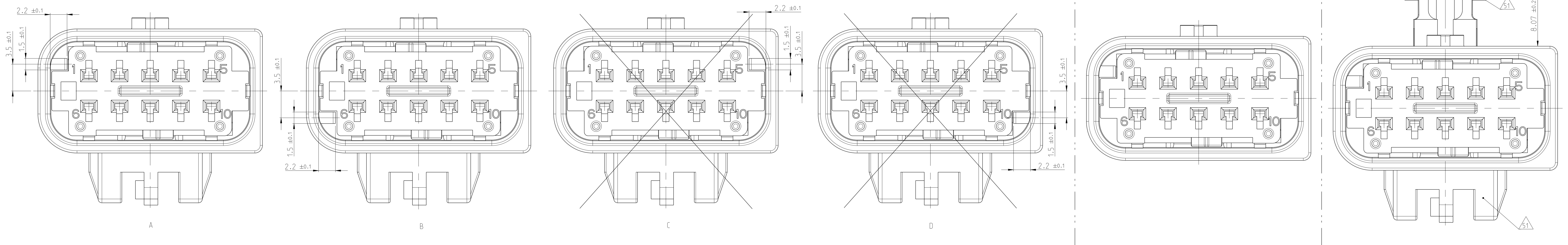
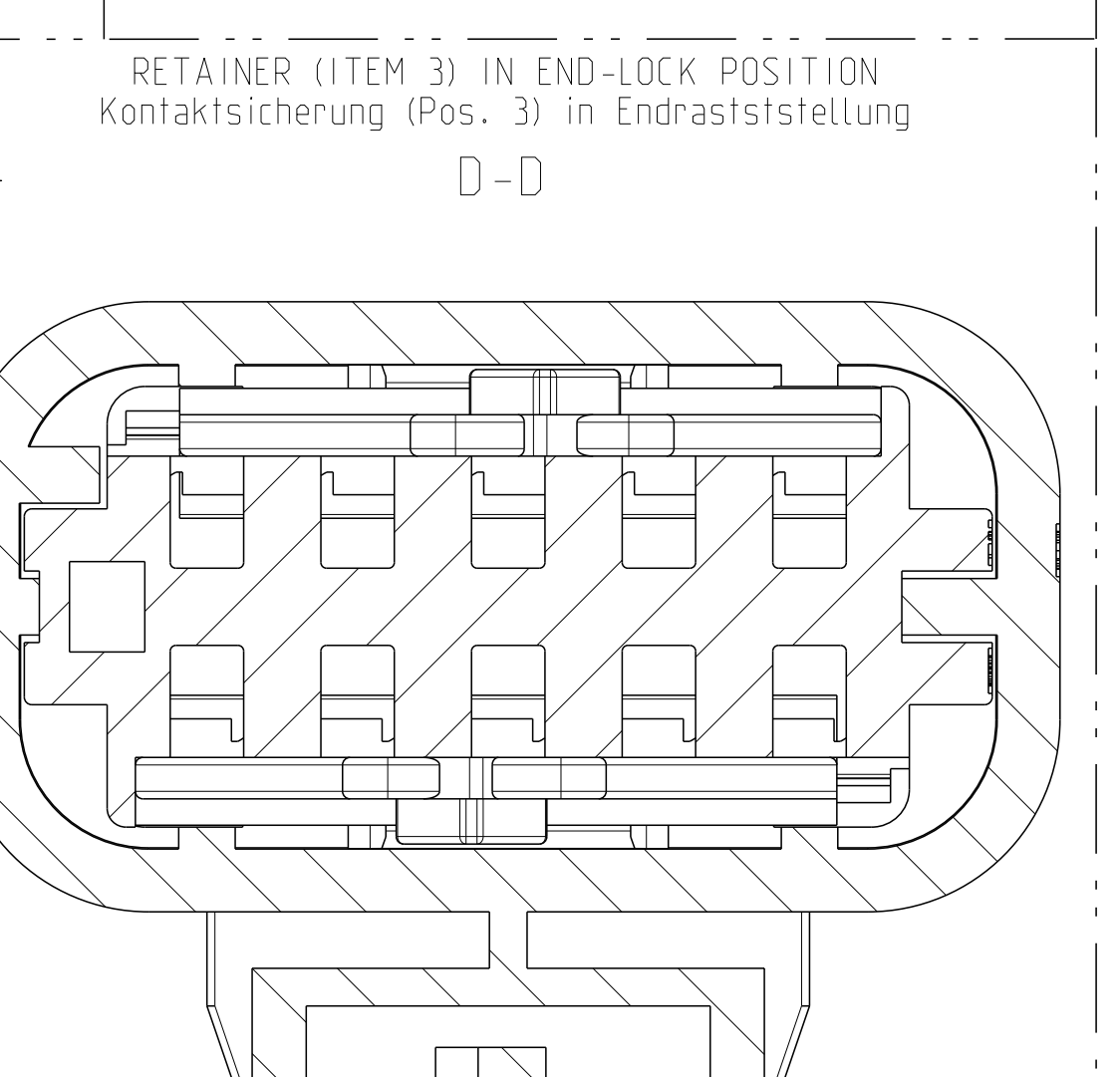
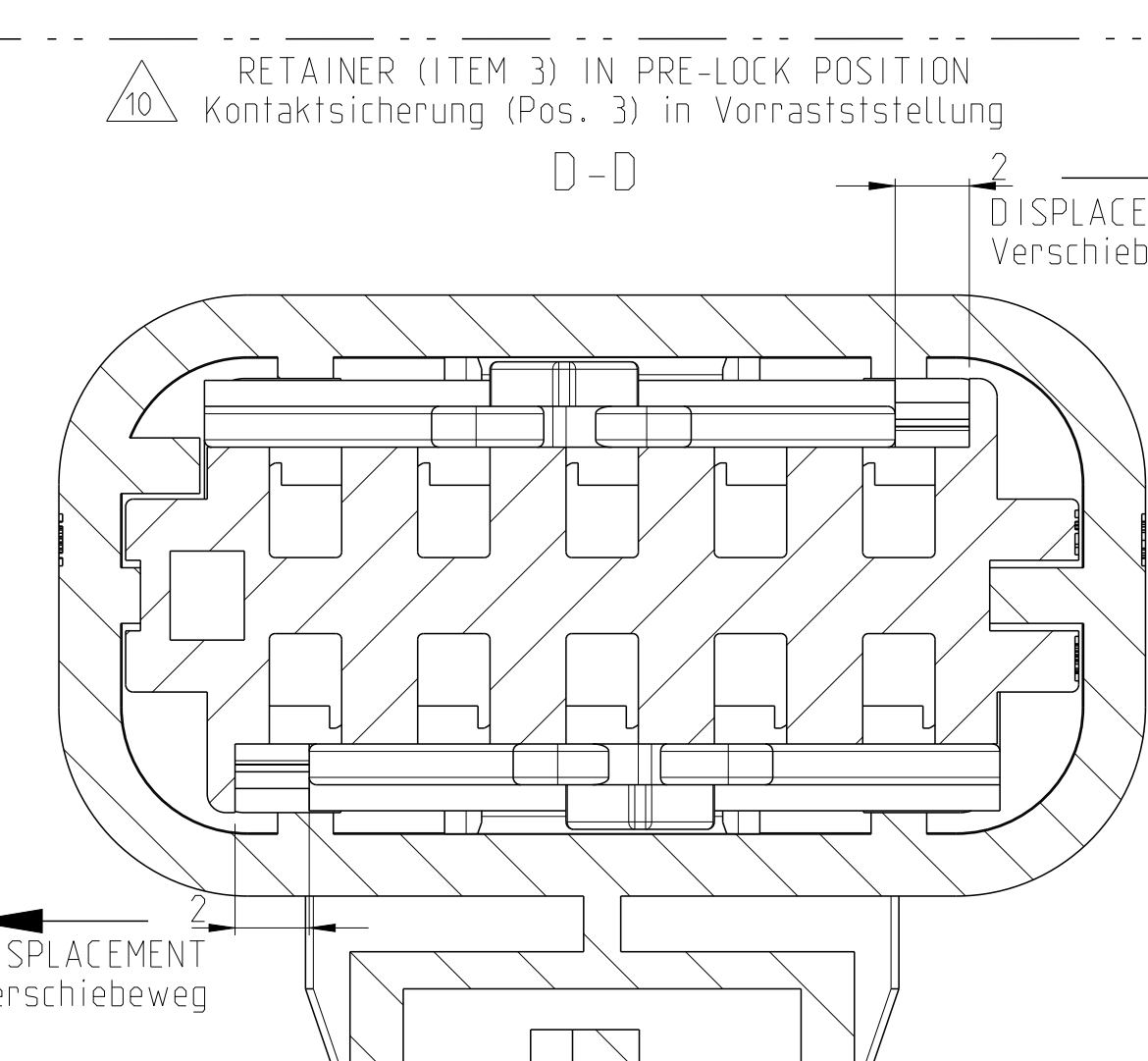
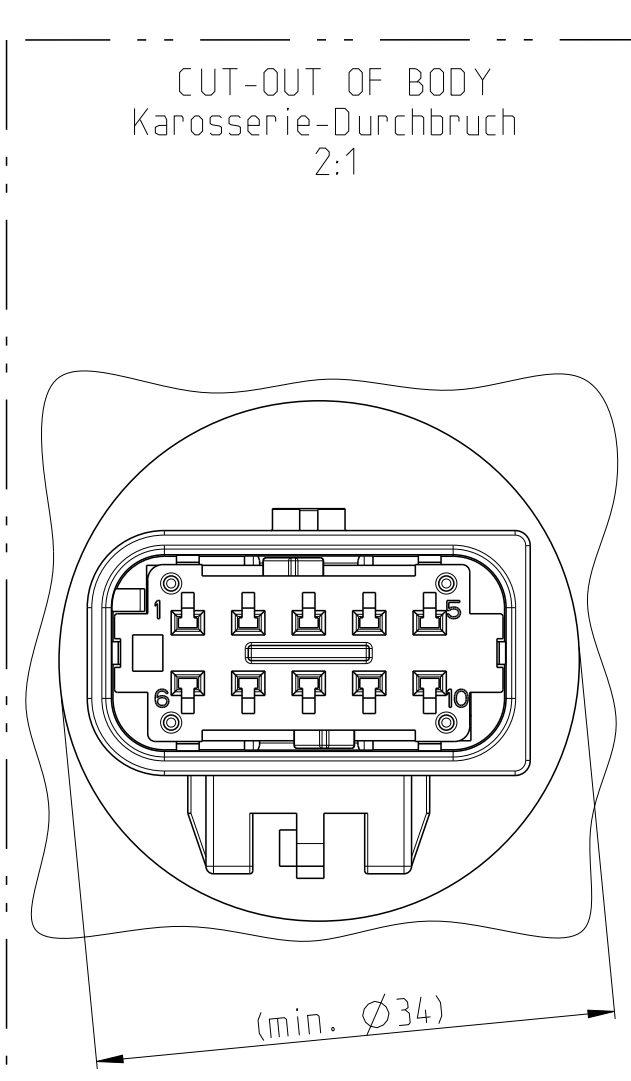
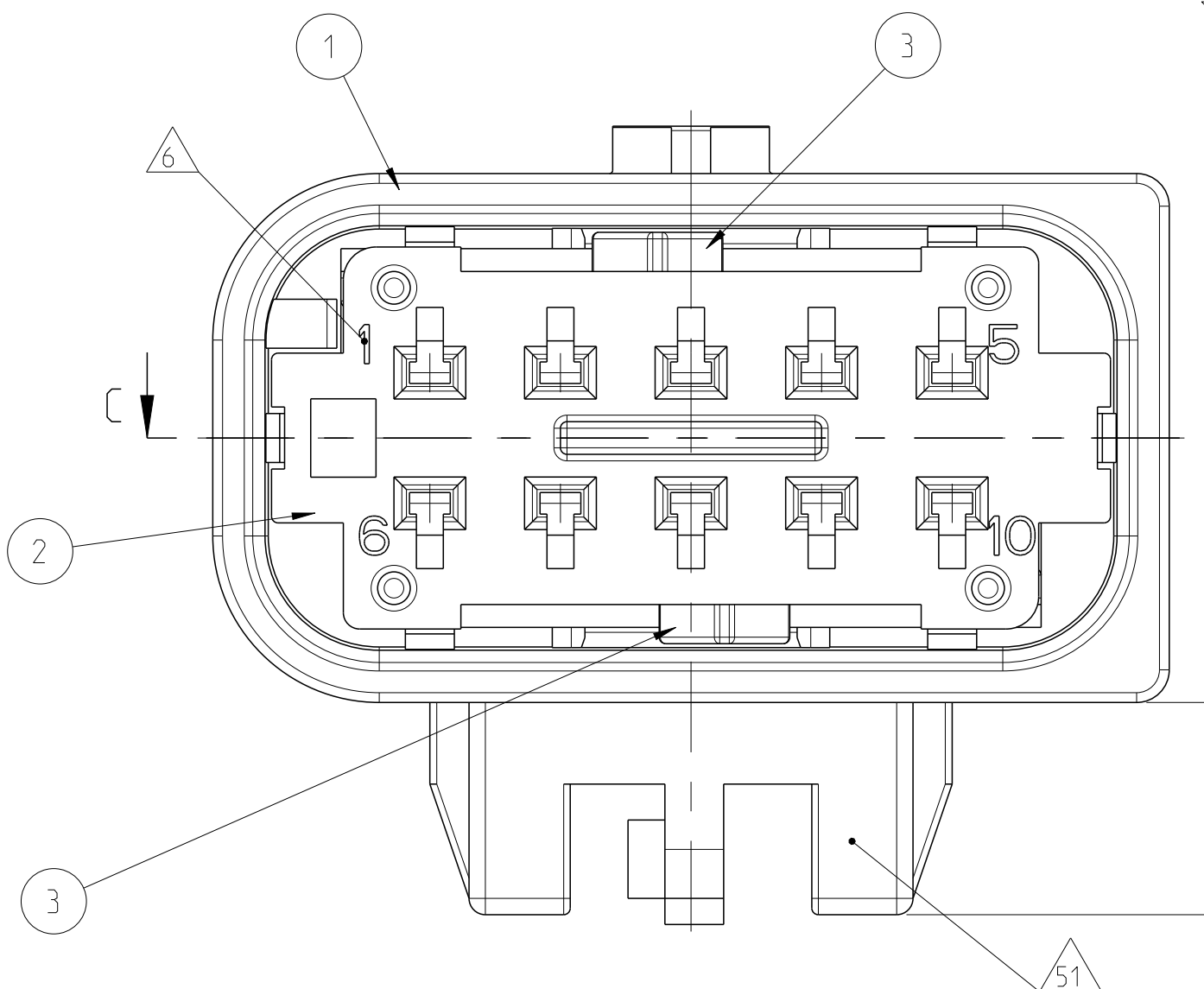
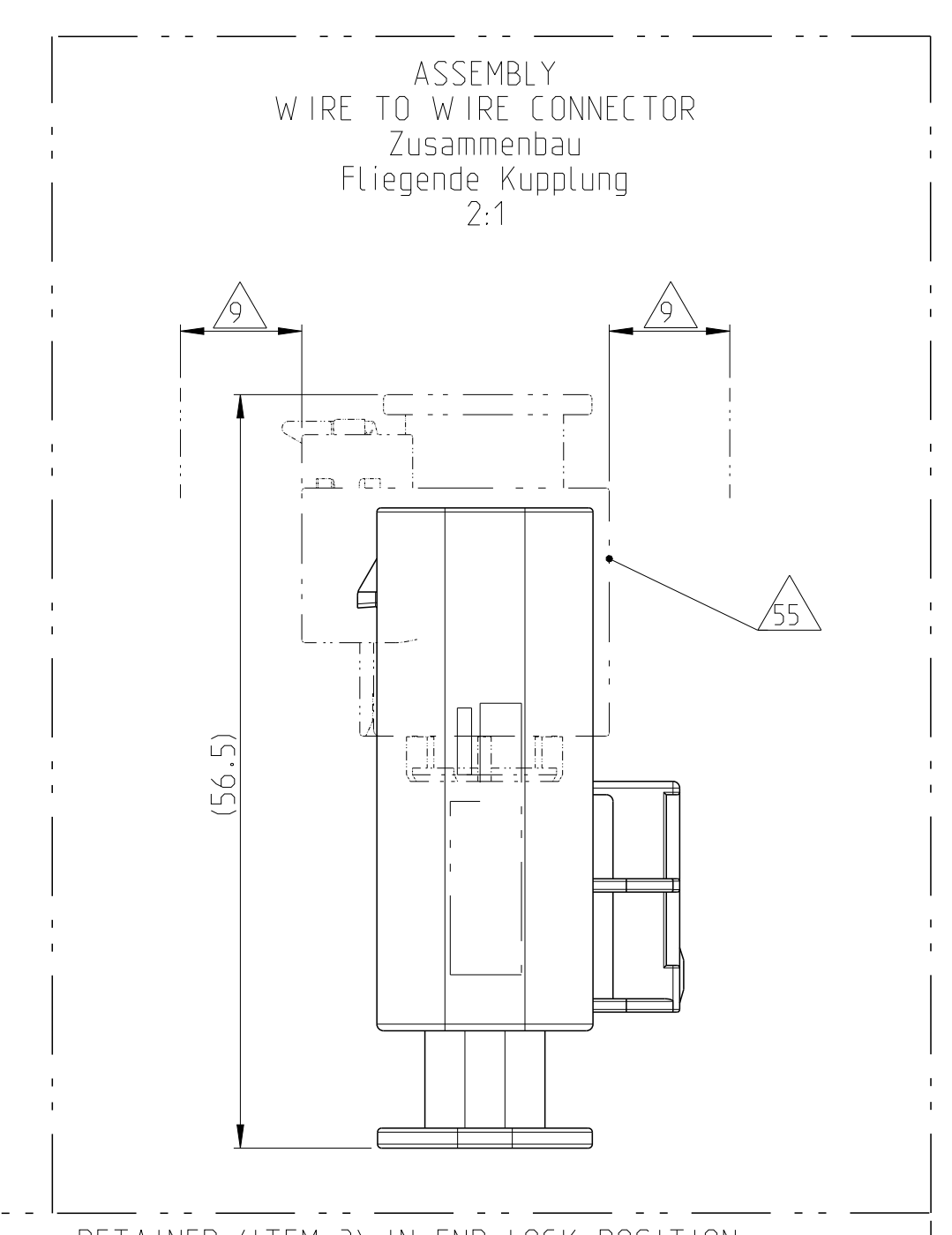
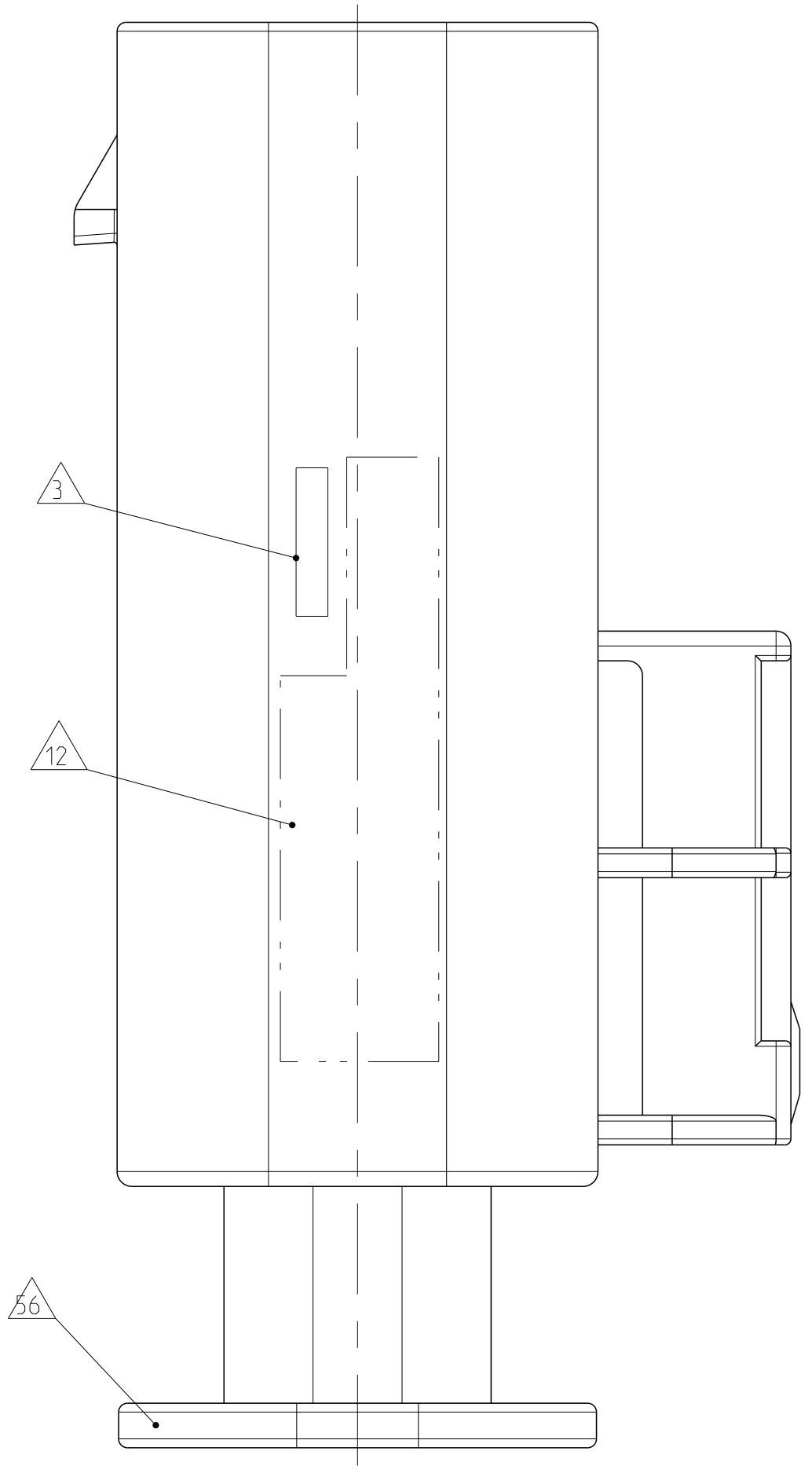
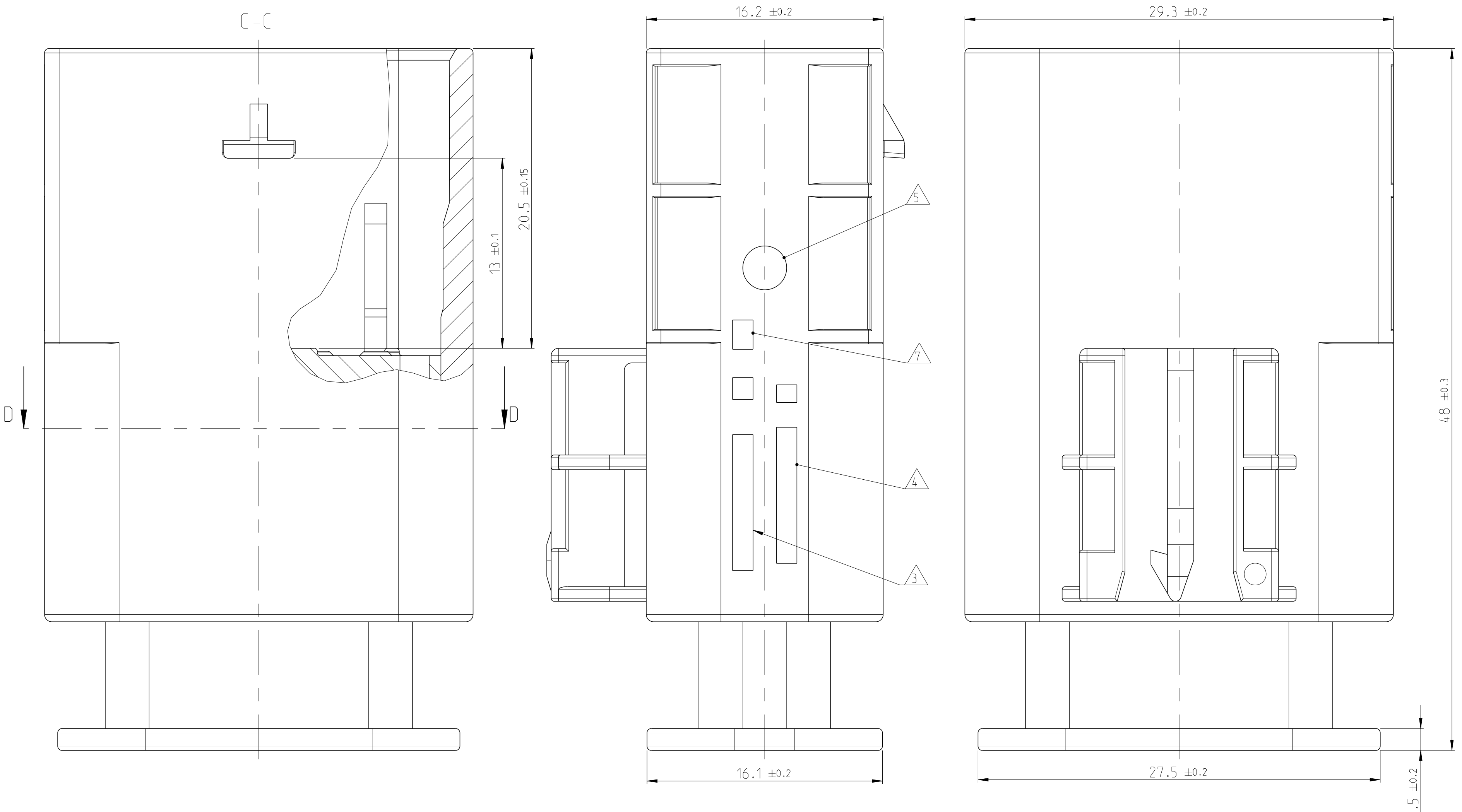


| REV. | DATE      | BY  | APPD. |
|------|-----------|-----|-------|
| A    | 30MAR2016 | KSC | APU   |



NOTES  
 Bemerkungen

- ONLY THE GERMAN LANGUAGE VERSION IS AUTHORITY  
 Massgebend ist nur der deutsche Text
  - CODING A, VERSION I WITH LOCKING PART AS SHOWN  
 Kodierung A, Variante I mit Rastelement wie gezeichnet
- ▲ SUPPLIER-MARKING  
 Lieferantkennzeichnung
  - ▲ MATERIAL IDENTIFICATION  
 Materialkennzeichnung
  - ▲ DATE MARKING  
 Datumkennzeichnung
  - ▲ CAVITY IDENTIFICATION  
 Kammerkennzeichnung
  - ▲ MOULD CAVITY MARKING: X.Y  
 X = MOULD NO.  
 Y = MOULD CAVITY NO.  
 Formmaschinentzeichnung: X.Y  
 X = Werkzeug-Nr.  
 Y = Formnest-Nr.
  - Ø NO REGRIND ALLOWED  
 Rezyklatfrei
  - ▲ SPACE OF ACTIVITY MIN. 15 mm  
 Betaetigungsfreiraum min.
  - ▲ DELIVERY CONDITION: RETAINER (ITEM 3) IN PRE-LOCK POSITION  
 Auslieferungszustand: Kontaktsicherung (Pos. 3) in Vorraststellung
  - ▲ MAX. WIRE SIZE 1.0 mm?  
 CABLE INSULATION Ø 2.1 mm  
 Max. Leitungsdraht Ø 1.0 mm?  
 Kabelisolierung Ø 2.1 mm
  - ▲ TE CONNECTIVITY ORDER-NO.  
 TE Connectivity Bestell-Nr.



| NOTE Bem. | FEATURE Merkmal   | TE Connectivity - No.                                   |
|-----------|---|---|
| 50        | CONTACTS BY TE CONNECTIVITY Kontakte von TE Connectivity                      | 1418754 SINGLE WIRE SEAL VERSION Einzeldichtungsversion |
| ▲         | SPEC. LOCKING-/GUIDE PART Spez. Rast-/Fuehrungselemente                       | 114-18063-002   |
| ▲         | PRODUCT-SPEC. Produkt-Spez.   | 108-94453   |
| ▲         | APPLICATION-SPEC. Verarbeitungs-Spez.   | 114-94327   |
| 54        | ACCORDING TO INTERFACE BY TE CONNECTIVITY Nach AV von TE Connectivity         | 114-94328   |
| ▲         | MATING TO CONNECTOR BY TE CONNECTIVITY Passend zu Gehäuse von TE Connectivity | 2282337   |
| ▲         | PROTECTIVE COLLAR Schutzkragen  | 208-18025   |

| REV | QTY         | Benennung                             | TITLE     | Werkstoff MATERIAL                   | Oberflaeche/Farbe SURFACE/CLOUR | Pos. ITEM | Variante VERSION |
|-----|-------------|---------------------------------------|-----------|--------------------------------------|---------------------------------|-----------|------------------|
| B   | 2-2301521-7 | 2 RETAINER Kontaktsicherung           | PBT-GF20  | violett/VIOLETT aehnl./SIM. RAL 4006 | 3                               | III       |                  |
| A   | 1           | 1 INNER HOUSING Stiftgehaeuse         | PBT-GF20  | natur/NATURE                         | 2                               | III       |                  |
| A   | 1           | 1 COVER HOUSING Umgehaeuse            | PA66-GF30 | schwarz/BLACK aehnl./SIM. RAL 9005   | 1                               |           |                  |
| A   | 1-2301521-7 | 2 RETAINER Kontaktsicherung           | PBT-GF20  | violett/VIOLETT aehnl./SIM. RAL 4006 | 3                               | III       |                  |
| A   | 1           | 1 INNER HOUSING Stiftgehaeuse         | PBT-GF20  | schwarz/BLACK aehnl./SIM. RAL 9005   | 2                               | III       |                  |
| A   | 1           | 1 COVER HOUSING Umgehaeuse            | PA66-GF30 | schwarz/BLACK aehnl./SIM. RAL 9005   | 1                               |           |                  |
| B   | 2-2301521-6 | 2 RETAINER Kontaktsicherung           | PBT-GF20  | violett/VIOLETT aehnl./SIM. RAL 4006 | 3                               | II        |                  |
| A   | 1           | 1 INNER HOUSING Stiftgehaeuse         | PBT-GF20  | natur/NATURE                         | 2                               | II        |                  |
| A   | 1           | 1 COVER HOUSING Umgehaeuse            | PA66-GF30 | schwarz/BLACK aehnl./SIM. RAL 9005   | 1                               |           |                  |
| A   | 1-2301521-6 | 2 RETAINER Kontaktsicherung           | PBT-GF20  | violett/VIOLETT aehnl./SIM. RAL 4006 | 3                               | II        |                  |
| A   | 1           | 1 INNER HOUSING Stiftgehaeuse         | PBT-GF20  | schwarz/BLACK aehnl./SIM. RAL 9005   | 2                               | II        |                  |
| A   | 1           | 1 COVER HOUSING Umgehaeuse            | PA66-GF30 | schwarz/BLACK aehnl./SIM. RAL 9005   | 1                               |           |                  |
| B   | 2-2301521-5 | 2 RETAINER Kontaktsicherung           | PBT-GF20  | violett/VIOLETT aehnl./SIM. RAL 4006 | 3                               | I         |                  |
| A   | 1           | 1 INNER HOUSING Stiftgehaeuse         | PBT-GF20  | natur/NATURE                         | 2                               | I         |                  |
| A   | 1           | 1 COVER HOUSING Umgehaeuse            | PA66-GF30 | schwarz/BLACK aehnl./SIM. RAL 9005   | 1                               |           |                  |
| A   | 1-2301521-5 | 2 RETAINER Kontaktsicherung           | PBT-GF20  | violett/VIOLETT aehnl./SIM. RAL 4006 | 3                               | I         |                  |
| A   | 1           | 1 INNER HOUSING Stiftgehaeuse         | PBT-GF20  | schwarz/BLACK aehnl./SIM. RAL 9005   | 2                               | I         |                  |
| A   | 1           | 1 COVER HOUSING Umgehaeuse            | PA66-GF30 | schwarz/BLACK aehnl./SIM. RAL 9005   | 1                               |           |                  |
| COD |             | TE Connectivity Bestell-Nr. ORDER-NO. |           |                                      |                                 |           |                  |

THIS DRAWING IS A CONTROLLED DOCUMENT. TECHNICAL SPECIFICATION SPECIFIED ACC. TO EN 9202

DATE: 30MAR2016

BY: Schaffner

CHK: P. Buchner

APPROVAL: [Signature]

TE CONNECTIVITY

10POS. TAB 1.2x0.6. PIN HOUSING 10pol. Stift 1.2x0.6. Stiftgehaeuse

SCALE: 5:1

SHEET: 1 OF 1

REV: A