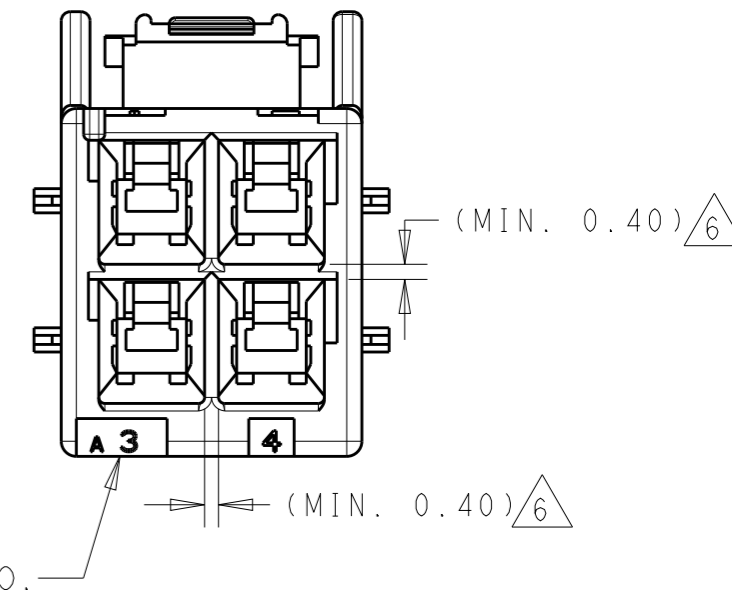
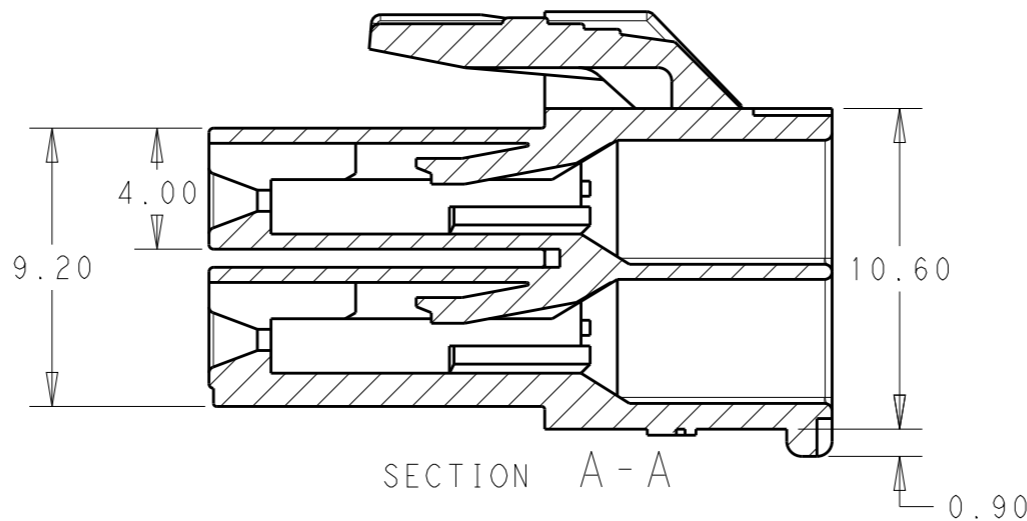
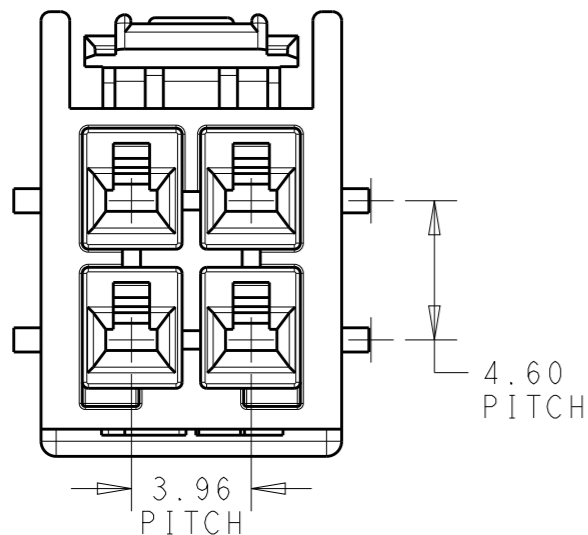
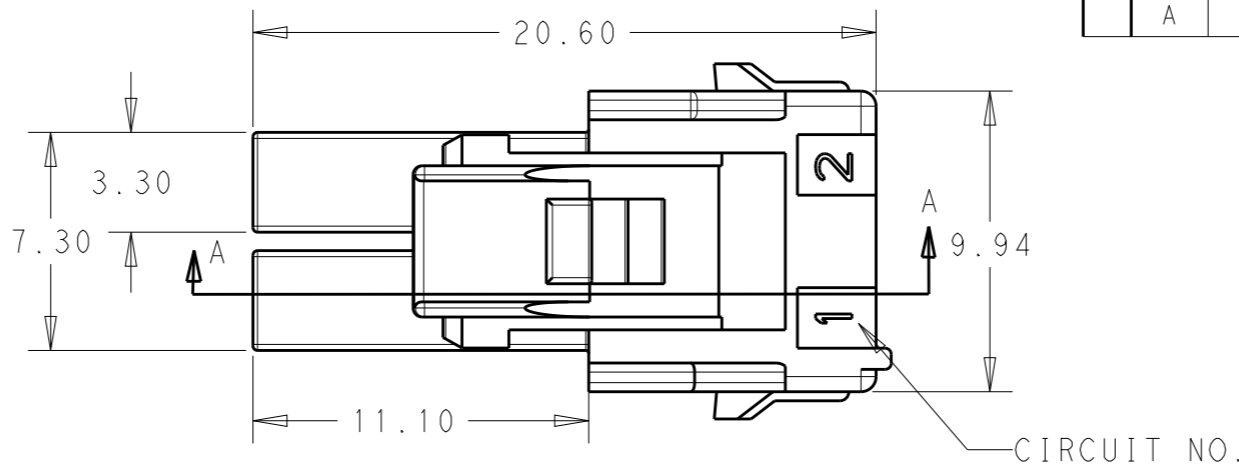
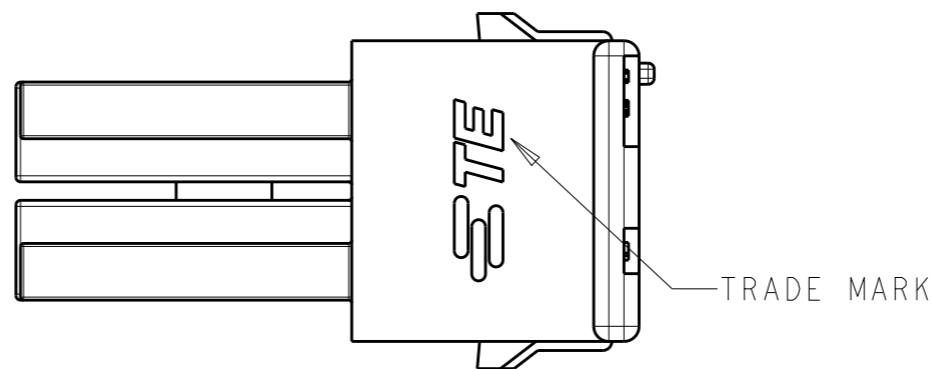


THIS DRAWING IS UNPUBLISHED. RELEASED FOR PUBLICATION 20  
 © COPYRIGHT 20 BY - ALL RIGHTS RESERVED.

REVISIONS				
P	LTR	DESCRIPTION	DATE	APVD
	A	FIRST RELEASE	6SEP17	N.L D.Z



- 1 APPLICABLE CONTACT P/N  
 -REC CONTACT: 177915-□ (AWG#16-#20)  
                   : 2232901-1 (AWG#16-#20)  
                   : 177914-□ (AWG#22-#26)  
                   : 2232902-1 (AWG#22-#26)
- 2 MATING CONN. P/N  
 -CAP HSG: □-368587-□ (FREE HANGING)  
               : □-368589-□ (PANEL MOUNT)  
 -TAB CONTACT: 177917-□ (AWG#16-#20)  
                   : 177916-□ (AWG#22-#26)  
 -PC BOARD MOUNT: 179840-□
- 3 APPLICABLE DOUBLE LOCK PLATE:  
 177918-1(V-0) OR □-368590-1(V-2,GWT)  
 \*IT SHOULD BE USED CERTAINLY WHEN CABLE ASS'Y
- 4 GENERAL TOLERANCE: ±0.3
- 5 ACCORDING TO IEC 60335-1 4.2 EDITION  
 -PART MEETS GWT 750°



6 MIN THICKNESS OF INSULATING WALL

NATURAL	4	2301329-1
COLOR	POS.	PART NO.

THIS DRAWING IS A CONTROLLED DOCUMENT.		DWN NINA LIU 12DEC16	TE Connectivity	
DIMENSIONS: mm		CHK DANIEL ZHANG 12DEC16		
TOLERANCES UNLESS OTHERWISE SPECIFIED:		APVD DANIEL ZHANG 12DEC16	NAME PDL 4P PLUG HSG 3.96mm D/R (GWT)	
0 PLC ±-		PRODUCT SPEC 108-5410	APPLICATION SPEC	
1 PLC ±0.5		APPLICATION SPEC 114-5175	WEIGHT	
2 PLC ±0.25		CUSTOMER DRAWING	SIZE A3	CAGE CODE -
3 PLC ±-		SCALE N/A	DRAWING NO. C-2301329	RESTRICTED TO -
4 PLC ±-		SHEET 1 OF 1	REV A	
ANGLES ±-				
FINISH -				
MATERIAL PA66 UL94V-0				