

THIS DRAWING IS UNPUBLISHED.

RELEASED FOR PUBLICATION

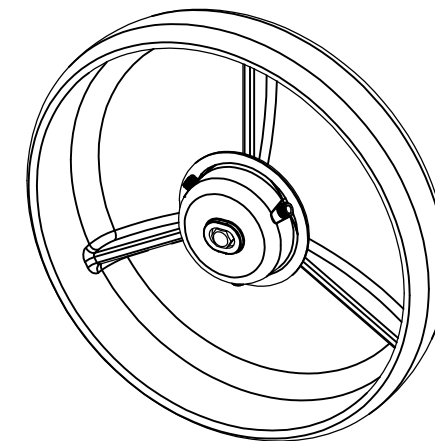
-. - .

REVISIONS

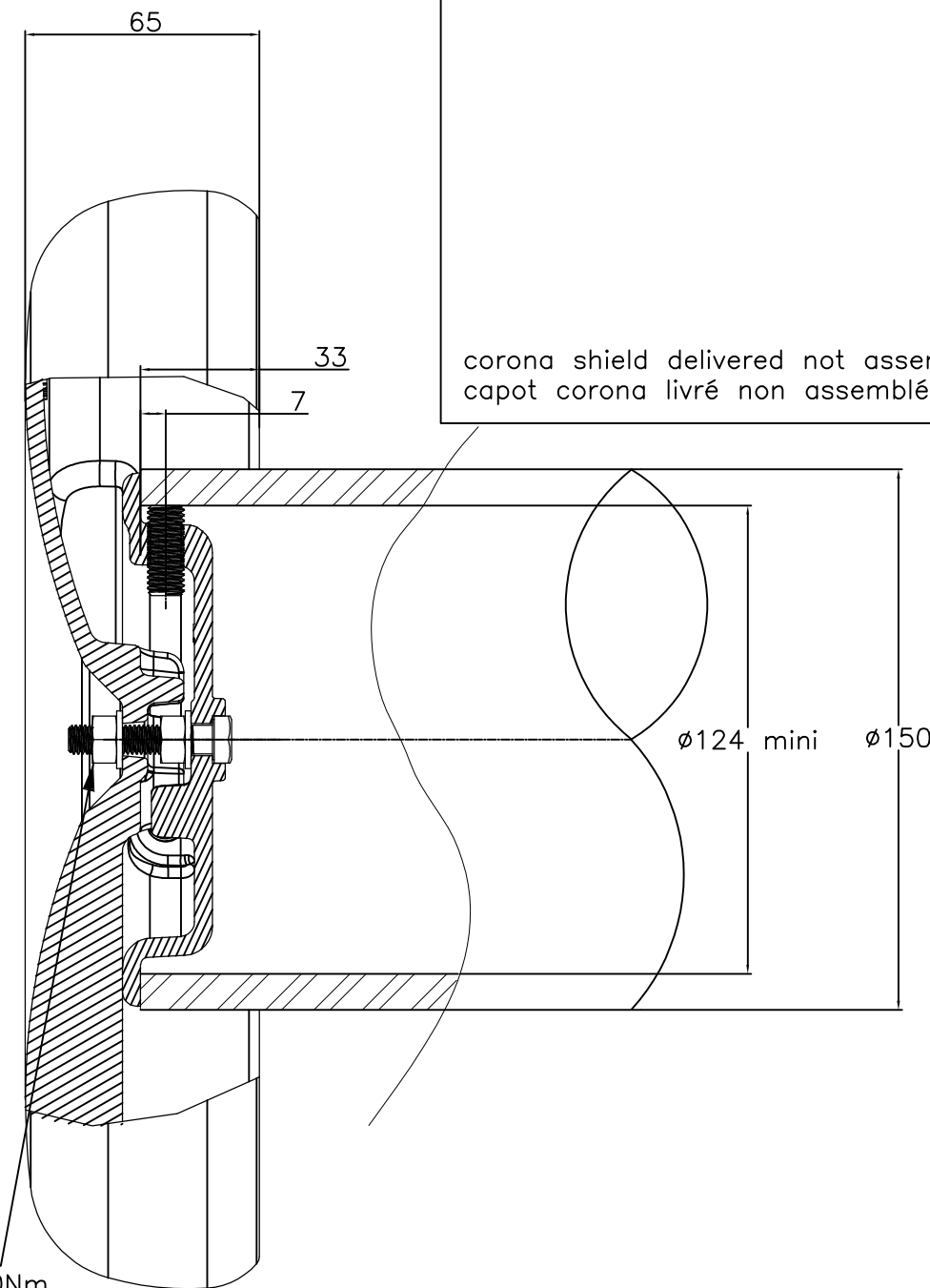
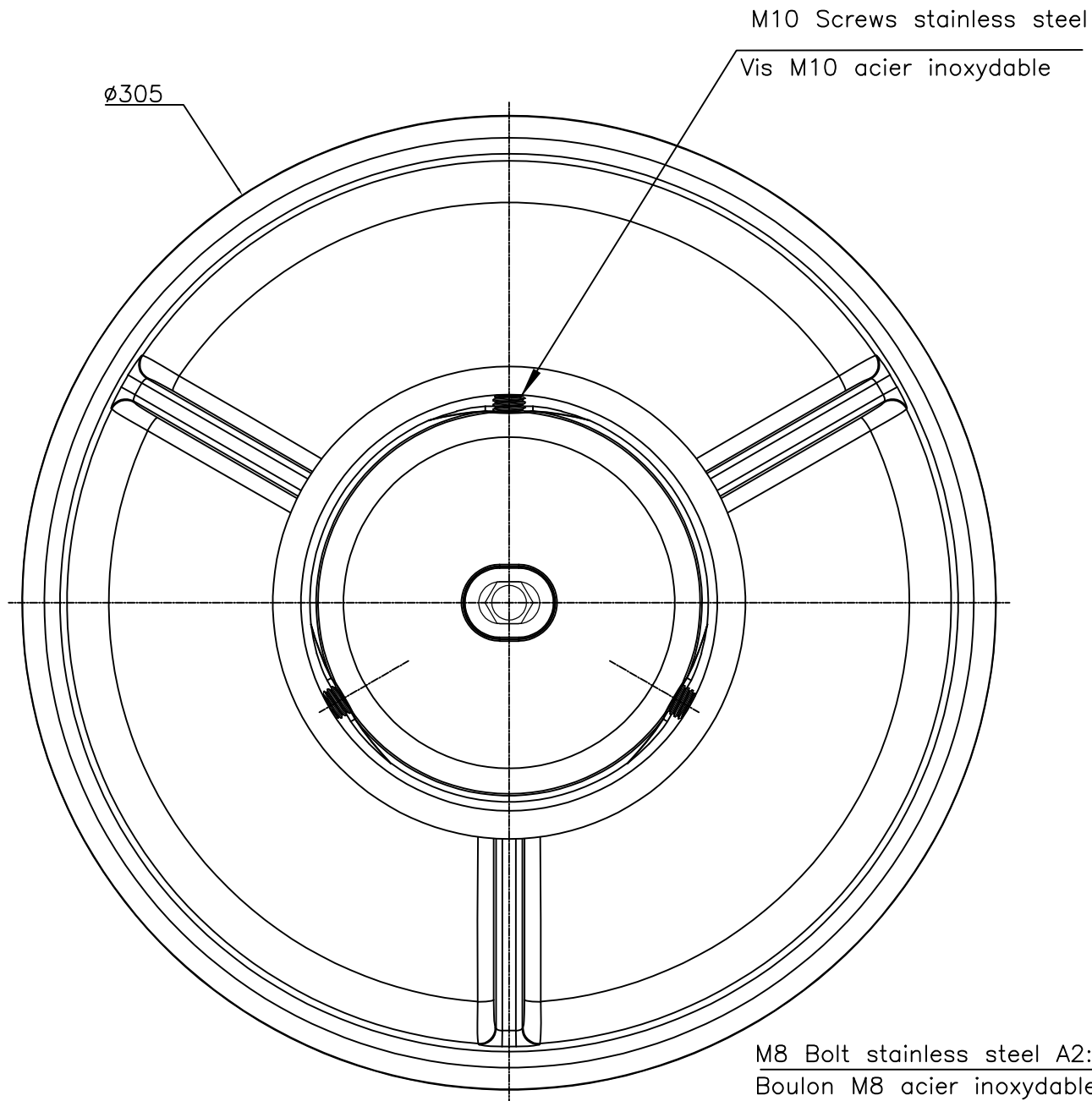
© COPYRIGHT - By -

ALL RIGHTS RESERVED.

P	LTR	DESCRIPTION	DATE	DWN	APVD
	A	CREATION	05-Jan-17	GL	-



corona shield delivered not assembled
capot corona livré non assemblé



THIS DRAWING IS A CONTROLLED DOCUMENT.

DWN LAFORGE 05-Jan-17

DIMENSIONS:	TOLERANCES UNLESS OTHERWISE SPECIFIED:
mm	
0 PLC	$\pm -$
1 PLC	$\pm -$
2 PLC	$\pm -$
3 PLC	$\pm -$
4 PLC	$\pm -$
ANGLES	$\pm -$
FINISH	-

CHK	-
APVD	-
PRODUCT SPEC	108-69091-006
APPLICATION SPEC	-
APPROX.WEIGHT	2.74 kg



END CAP WITH CORONA SHIELD FOR TUBE
BOUCHON AVEC CAPOT CORONA POUR TUBE
5 TAPA 82 T150

SIZE	CAGE CODE	DRAWING NO	RESTRICTED TO
A3	00779	C=2301105	-

ITEM:.....

CUSTOMER DRAWING	SCALE 1:2	SHEET 1 OF 1	REV A
------------------	-----------	--------------	-------