

THIS DRAWING IS UNPUBLISHED.

RELEASED FOR PUBLICATION

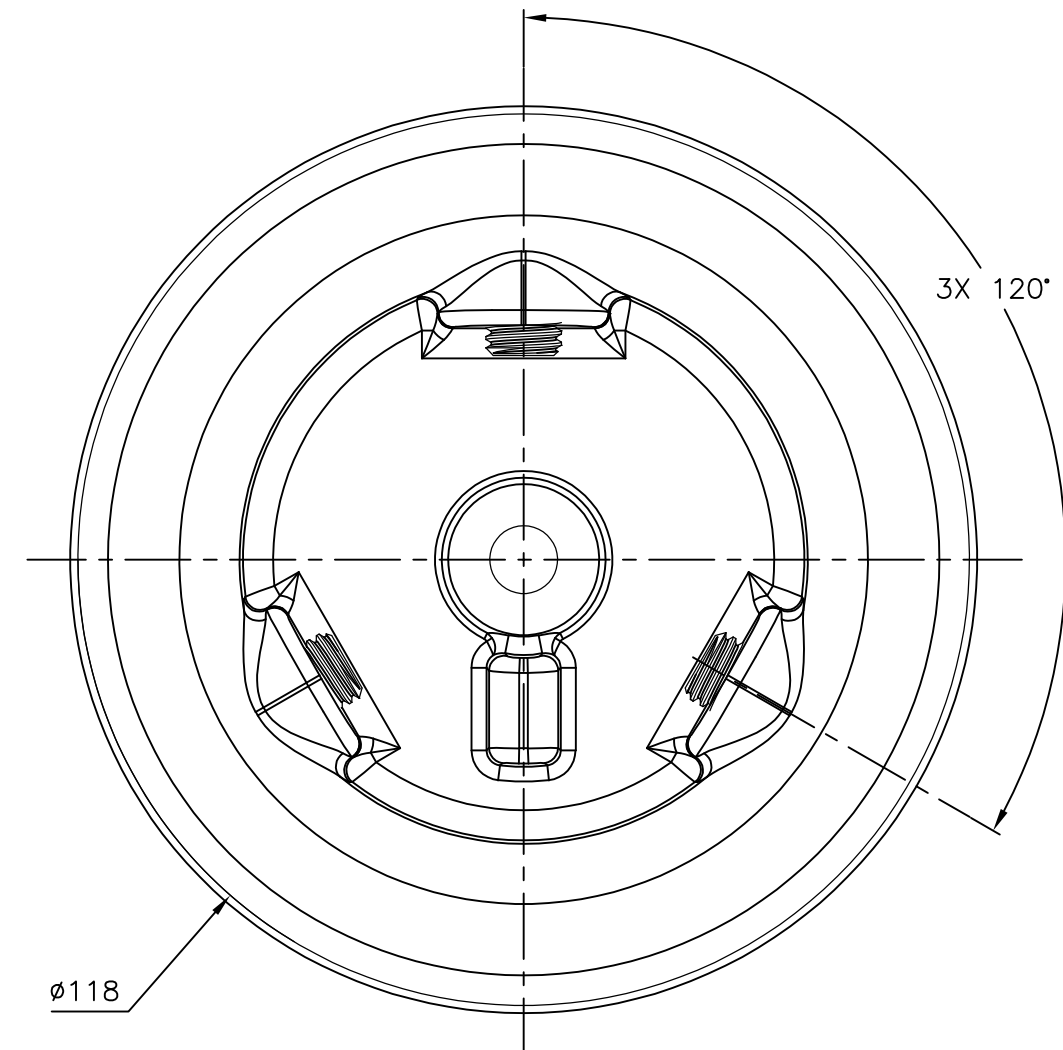
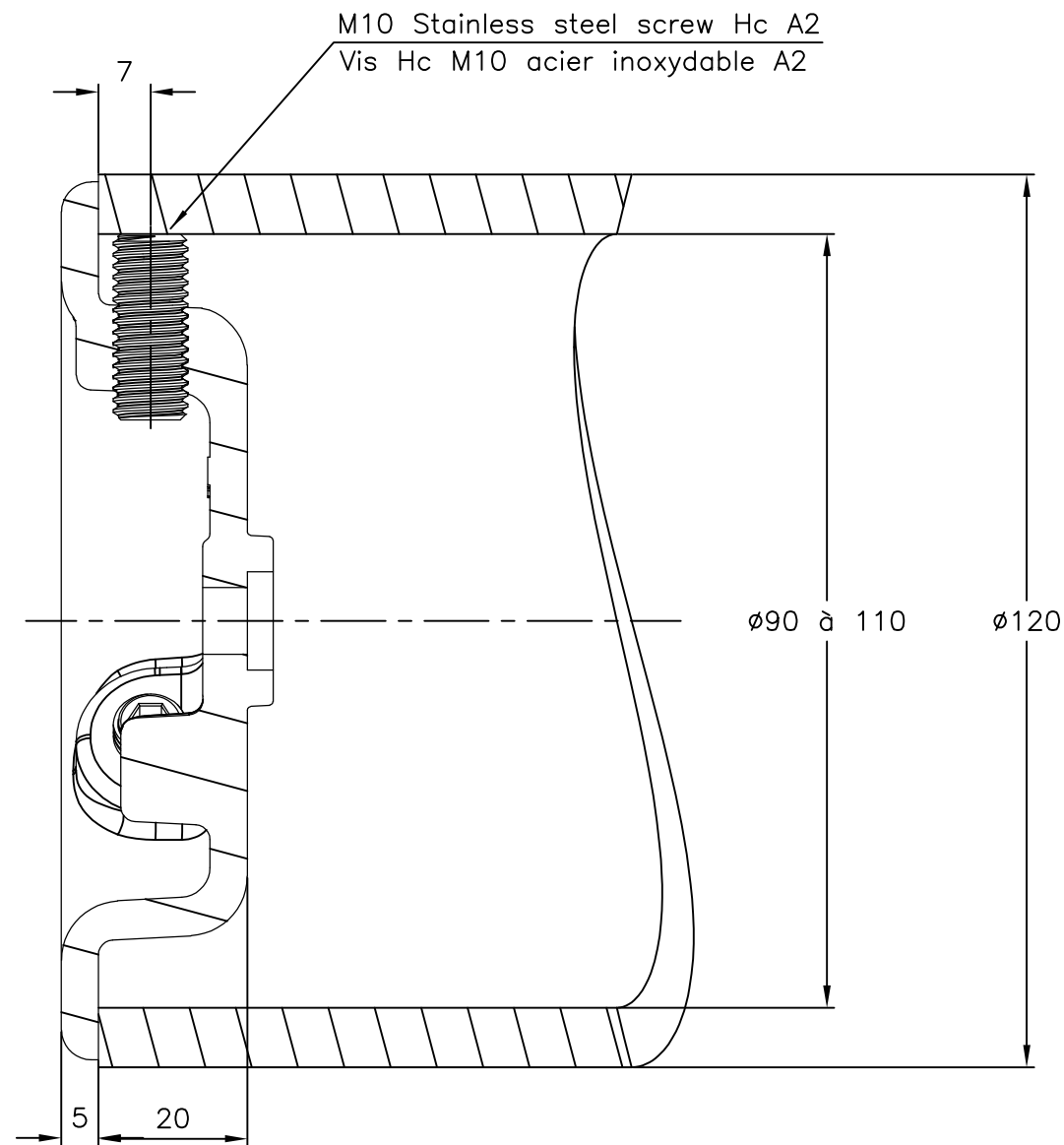
-. - .

REVISIONS

© COPYRIGHT - By -

ALL RIGHTS RESERVED.

P	LTR	DESCRIPTION	DATE	DWN	APVD
	A	CREATION	11-Feb-16	GL	-



ITEM:.....

THIS DRAWING IS A CONTROLLED DOCUMENT.		DWN	11-Feb-16		STE TE Connectivity
		CHK	-		
		APVD	-		
		PRODUCT SPEC	-		
DIMENSIONS: mm		TOLERANCES UNLESS OTHERWISE SPECIFIED:		NAME	
		0 PLC	± -	5 TABP 82 T120	
		1 PLC	± -		
		2 PLC	± -		
		3 PLC	± -		
		4 PLC	± -	APPLICATION SPEC	
		ANGLES	± -	108-69090-001	
MATERIAL		FINISH		SIZE	RESTRICTED TO
-		-		CAGE CODE	-
				DRAWING NO	-
				A300779	-
				C=2301076	-
				APPROX.WEIGHT	SCALE
				0.25 kg	1:1
				CUSTOMER DRAWING	SHEET
				1 OF 1	REV
				A	A