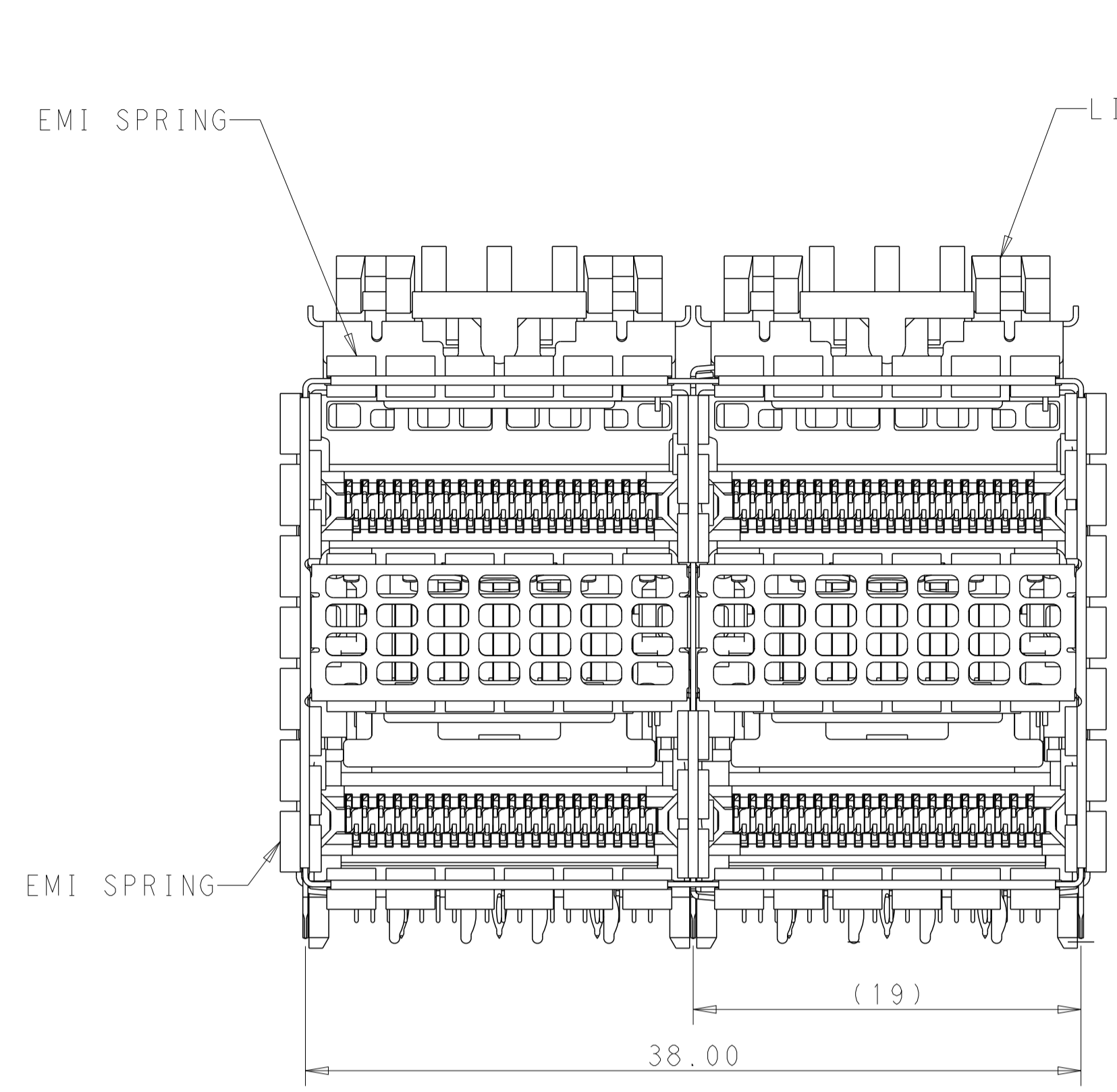
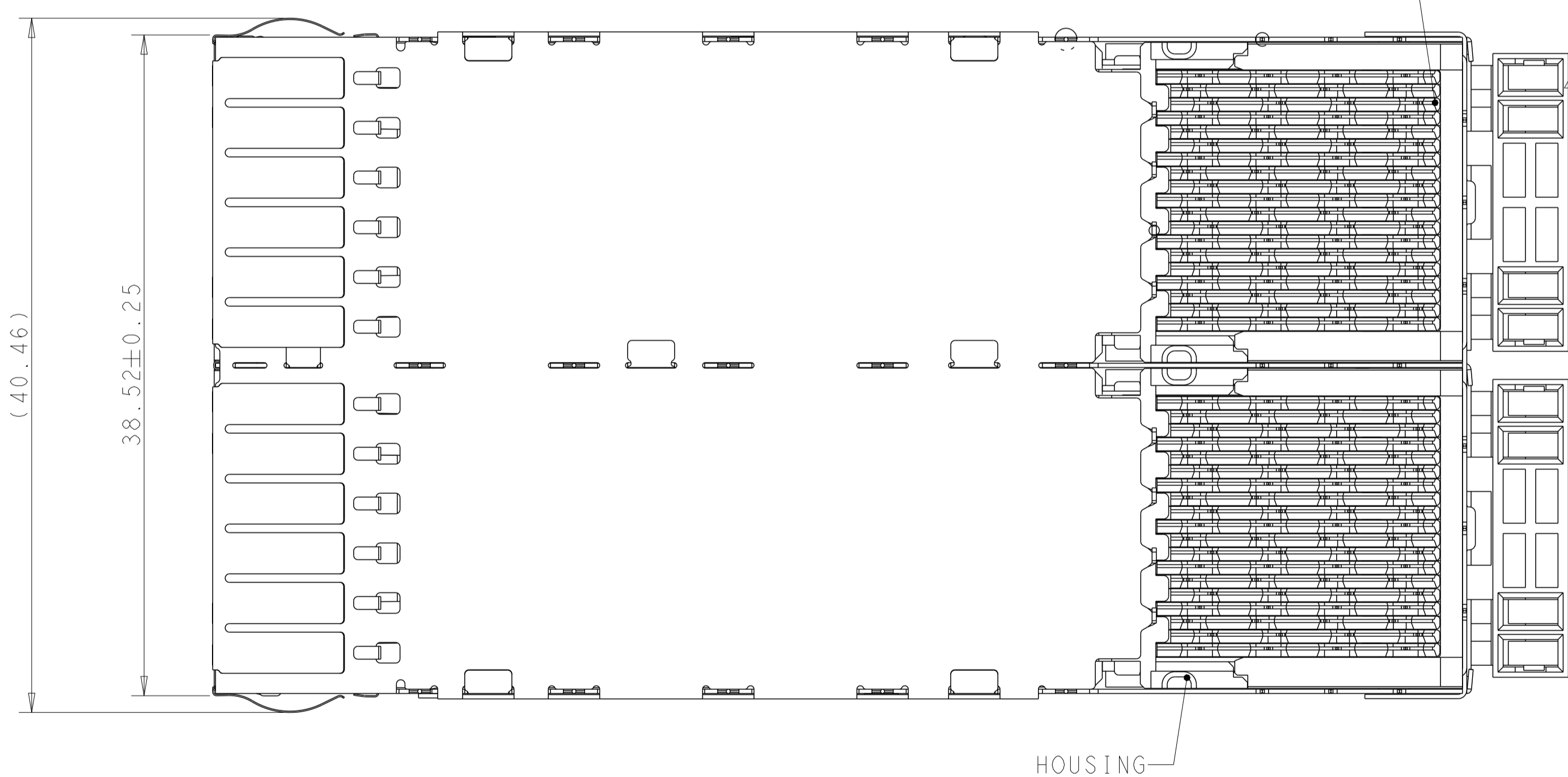
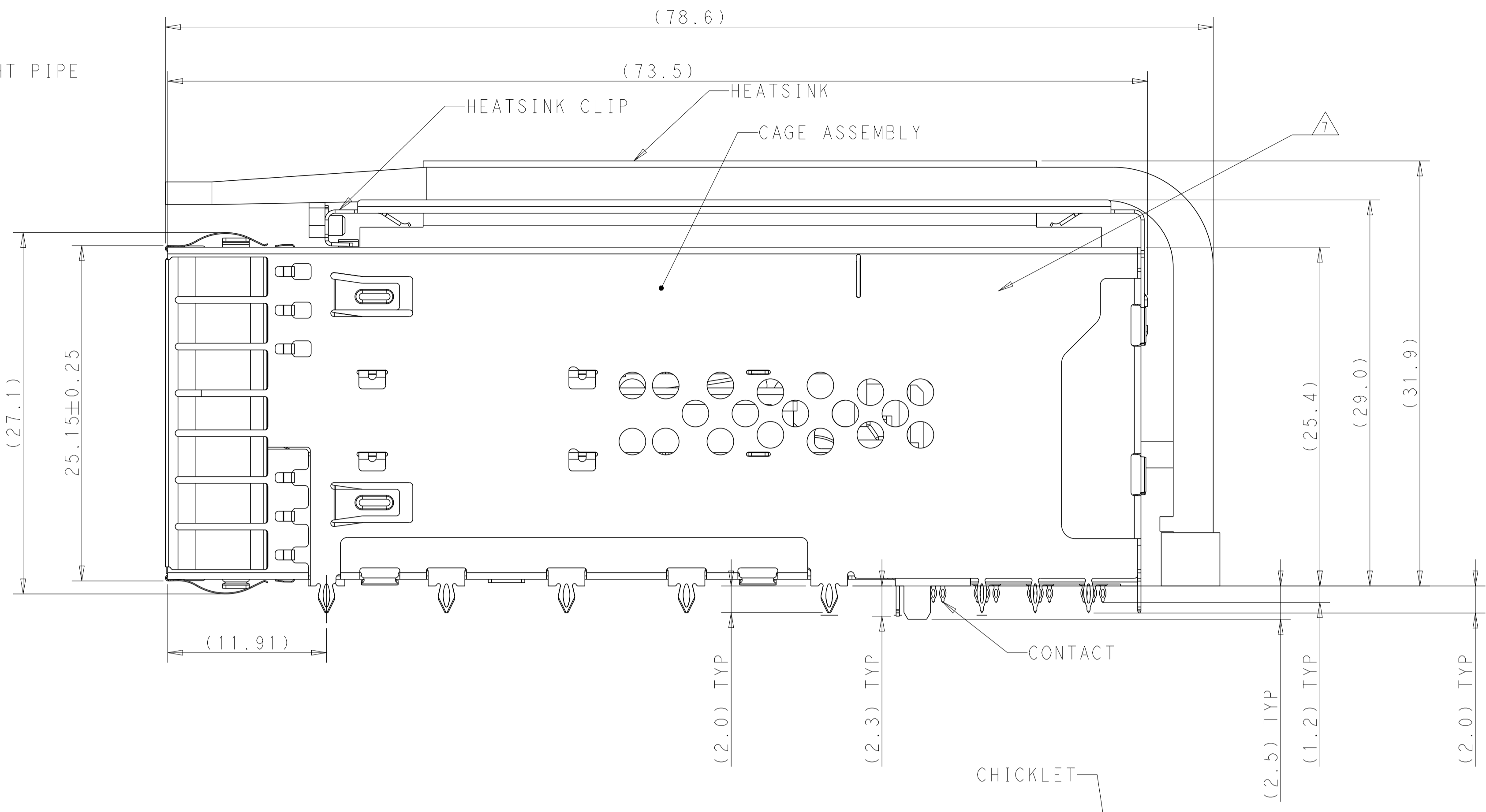


LOC		DIST		REVISIONS			
P	LTN	DESCRIPTION	DATE	DMN	APVD		
K4		REVISED PER ECN-23-216737	08JUN2023	AB	SZ		
K5		REVISED PER ECN-23-241272	21NOV2023	RY	SZ		



2299870-1



1. MATERIALS:
 CAGE ASSEMBLY- NICKEL SILVER ALLOY PER ASTM B 122.
 EMI SPRING- COPPER ALLOY, NICKEL PLATED.
 HOUSING- POLYESTER LCP WITH 94V-0.
 CHICKLET- POLYESTER LCP WITH 94V-0.
 CONTACT- COPPER ALLOY.
 LIGHTPIPE- POLYCARBONATE WITH 94V-0.

- 2 CONTACT FINISH: 0.76µm GOLD ON MATING AREA, 0.7-1.5µm MATT TIN ON COMPLIANT AREA, ALL OVER 1.27µm NICKEL.
- 3 DATUM AND BASIC DIMENSION ESTABLISHED BY CUSTOMER.
4. MINIMUM PCB THICKNESS OF 1.57.
- 5 THE ENTIRE AREA OF THE CONNECTOR FOOTPRINT, INDICATED BY THE DASHED LINE, TO BE CONSIDERED THE KEEPOUT AREA FOR COMPONENTS AND TRACES.
- 6 CROSS-HATCHED AREAS REPRESENT ZONES ON THE PCB THAT COME IN CONTACT WITH OR BE IN CLOSE PROXIMITY TO THE PLASTIC HOUSING OR THE CONNECTOR CAGE. INDICATED AREAS TO BE CONSIDERED TRACE FREE.
- 7 PART NUMBER AND DATE CODE MADE IN APPROXIMATE AREA SHOWN.
- 8 HATCHED AREA IS PLACEMENT ZONE FOR LED. LED SHOULD BE CENTERED WITHIN ZONE. RECOMMEND 0805 PACKAGE.
- 9 CONTACT FINISH: 0.08µm MINIMUM GOLD OVER 0.68µm PALLADIUM-NICKEL ON MATING AREA, 0.7-1.5µm MATT TIN ON COMPLIANT AREA, ALL OVER 1.27µm NICKEL.
- 10 LOW Br/Ci AS DEFINED IN TEC-138-702.
- 11 LIGHT PIPE WITH COATING.
- 12 REMOVE THE PCB HOLES FOR 3-2299870-0 FOR SPECIAL APPLICATION.
- 13 HEAT SINK WITH NICKEL PLATING
- 14 OBSOLETE

PAGE	CONTACT FINISH	DESCRIPTION	PART NUMBER
7	2	WITH HS & WITH LP	3-2299870-8
3	2	WITH HS & WITHOUT LP +INSULATING TAPE	3-2299870-6
7	2	WITH HS & WITHOUT LP	3-2299870-1
7	2	WITH HS & WITH LP	3-2299870-0
4	2	WITH HS & WITH LP	2-2299870-8
5	2	WITH INNER HS ONLY& NO LP	2-2299870-7
5	2	WITHOUT HS & WITH LP	2-2299870-5
8	2	WITH HS & WITHOUT LP	2-2299870-4
6	2	WITH HS & WITH LP	2-2299870-3
6	2	WITH HS & WITHOUT LP	2-2299870-2
2	2	WITHOUT UPPER HS OR LP	2-2299870-1
5	2	WITH HS & WITH LP	2-2299870-0
6	2	WITH HS & WITH LP	1-2299870-9
4	2	WITH HS & WITH LP	1-2299870-8
4	2	WITH HS & WITHOUT LP	1-2299870-6
5	2	WITH HS & WITH LP	1-2299870-5
9	2	WITH HS & WITHOUT LP	1-2299870-3
2	2	WITH HS & WITHOUT LP	1-2299870-2
4	2	WITH HS & WITH LP	1-2299870-0
3	2	WITH HS & WITH LP	2299870-9
3	2	WITH HS & WITH LP	2299870-8
3	2	WITH HS & WITH LP	2299870-7
3	2	WITH HS & WITHOUT LP	2299870-6
2	2	WITHOUT UPPER HS OR LP	2299870-5
2	2	WITHOUT UPPER HS OR LP	2299870-4
9	2	WITH HS & WITHOUT LP	2299870-3
2	2	WITH HS & WITHOUT LP	2299870-2
2	2	WITH HS & WITH LP	2299870-1

THIS DRAWING IS A CONTROLLED DOCUMENT.

DMN: TIM XUE 28JAN2016
 CHN: SEAN HAN 28JAN2016
 APVD: SEAN HAN 28JAN2016

NAME: CAGE AND CONNECTOR ASSEMBLY WITH EMI SPRING FINGERS, THRU BEZEL, 2X2 ZQSF+ STACKED WITH HS

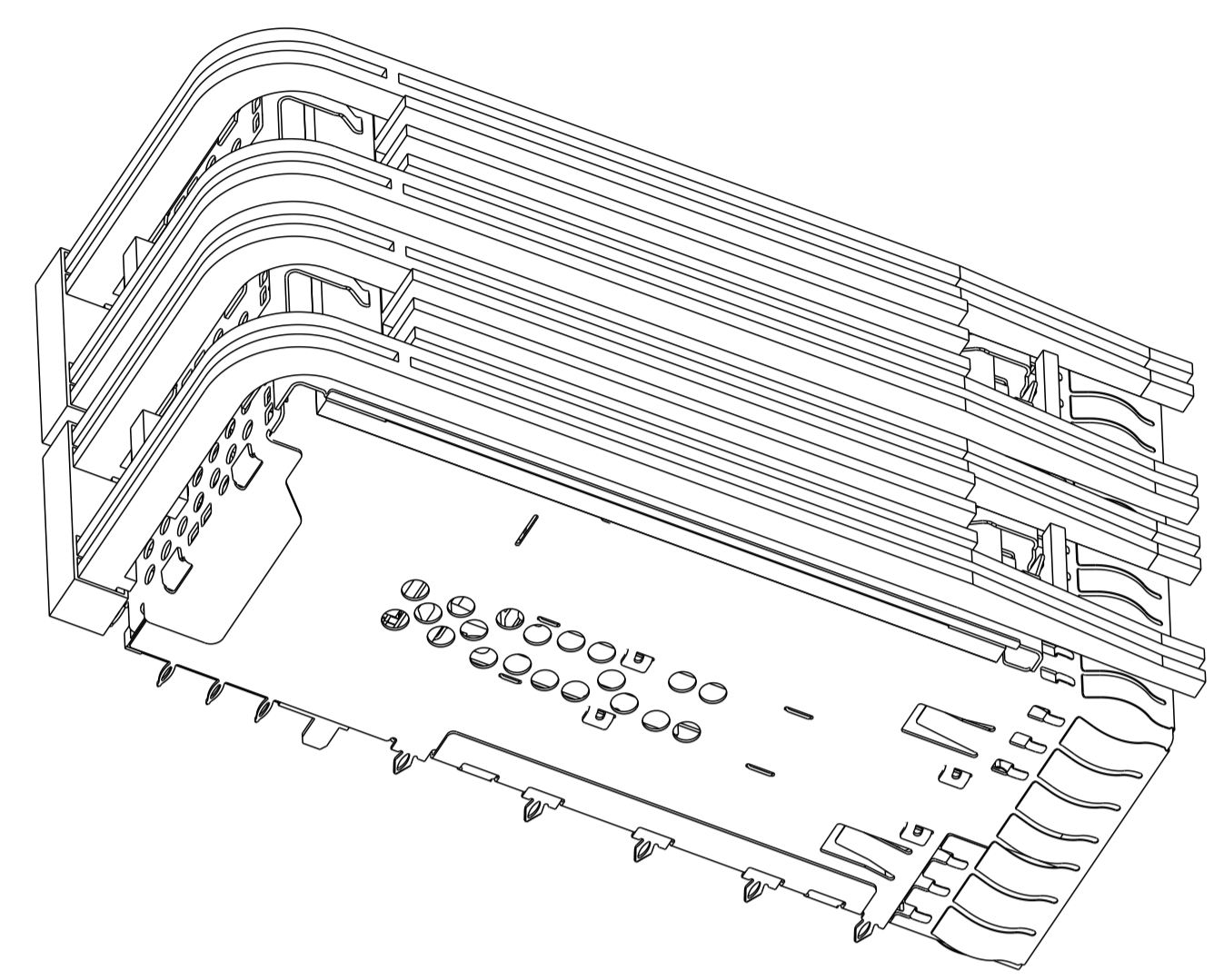
PRODUCT SPEC: 108-60102
 APPLICATION SPEC: 114-60015

SIZE: 114-60015
 CAGE CODE: 2299870
 DRAWING NO: 100779

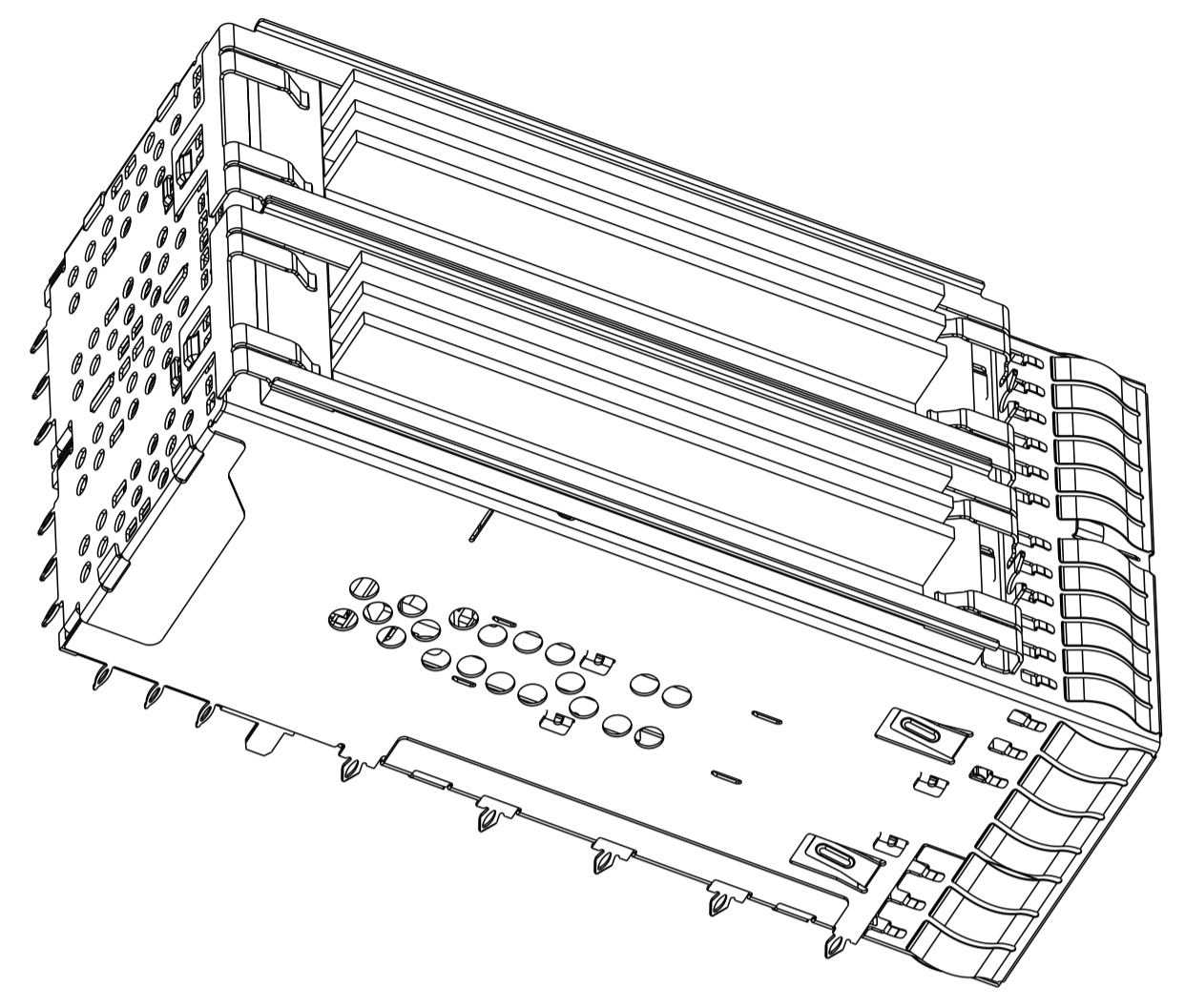
RESTRICTED TO: CUSTOMER DRAWING

SCALE: 1:1 SHEET 1 OF 16 REV: K5

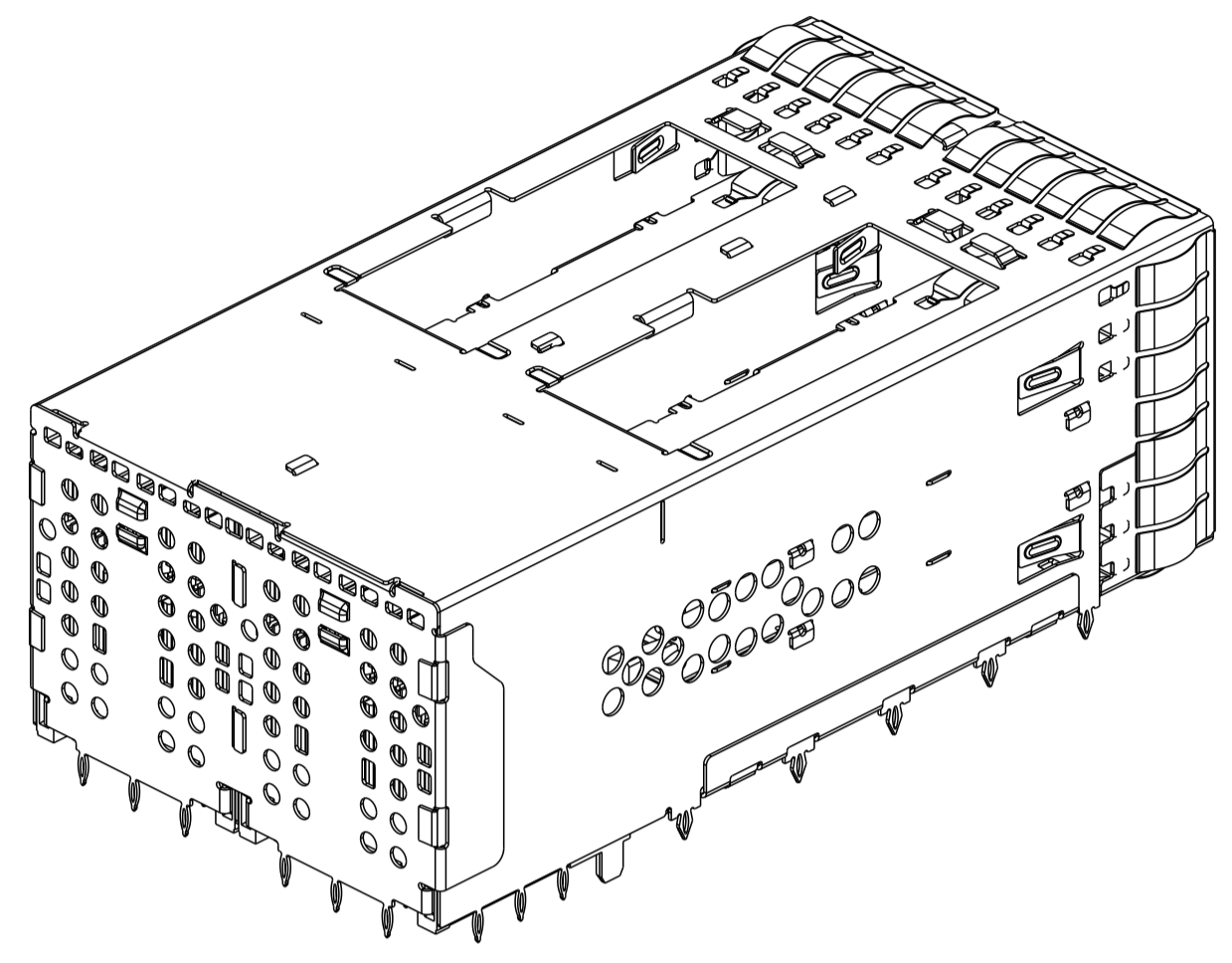
LOC	DIST	REVISIONS					
GP	00	P	LYR	DESCRIPTION	DATE	OWN	APVD
		-		SEE SHEET 1			



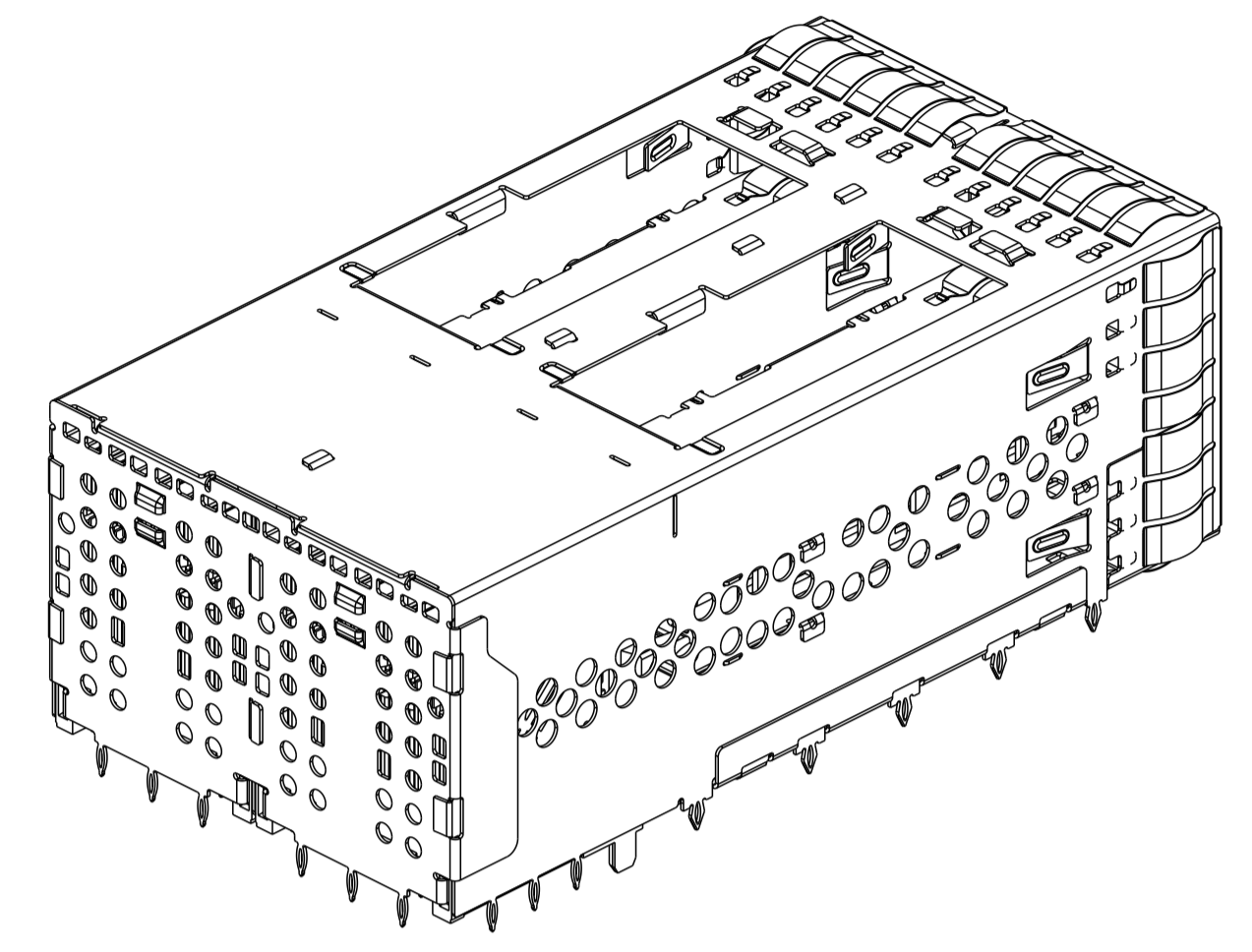
2299870-1 AS SHOWN
SCALE 2:1



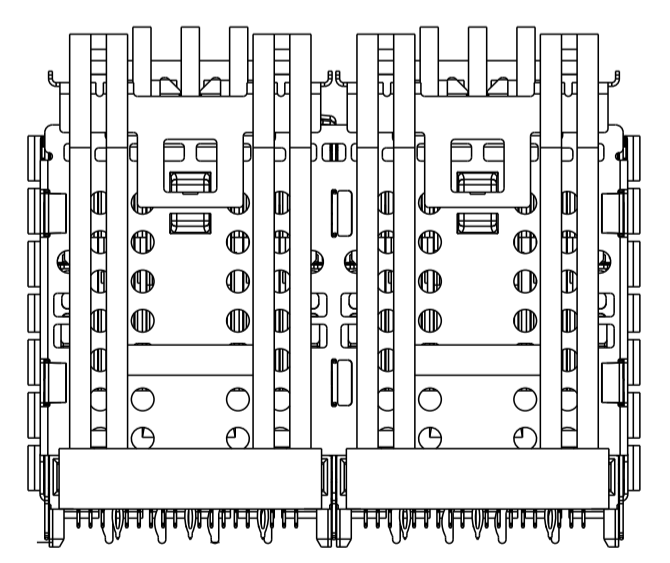
2299870-2 AND 1-2299870-2AS SHOWN
SAME AS 2299870-1 EXCEPT
W/O LEGHT PIPE AND ORGANIZER
SCALE 2:1



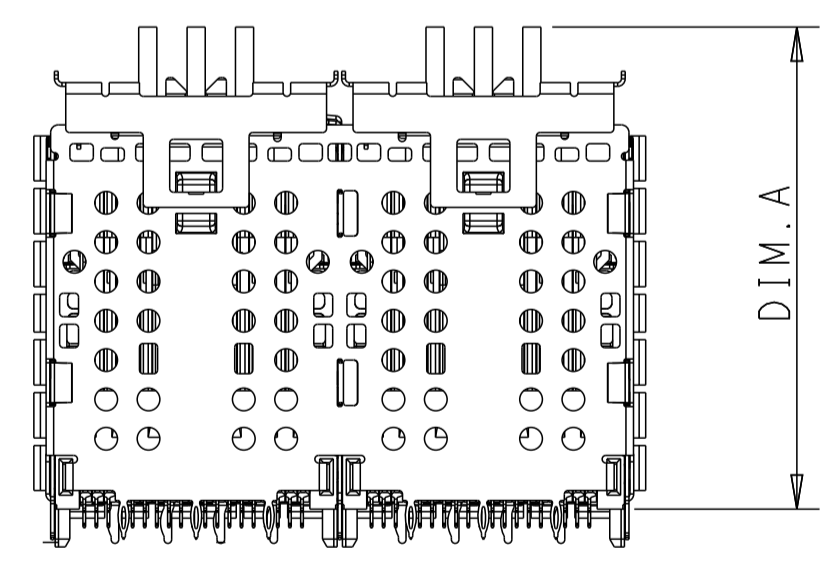
2299870-4 AS SHOWN
SAME AS 2299870-2 EXCEPT
W/O EXTERNAL HEAT SINK AND LP
SCALE 2:1



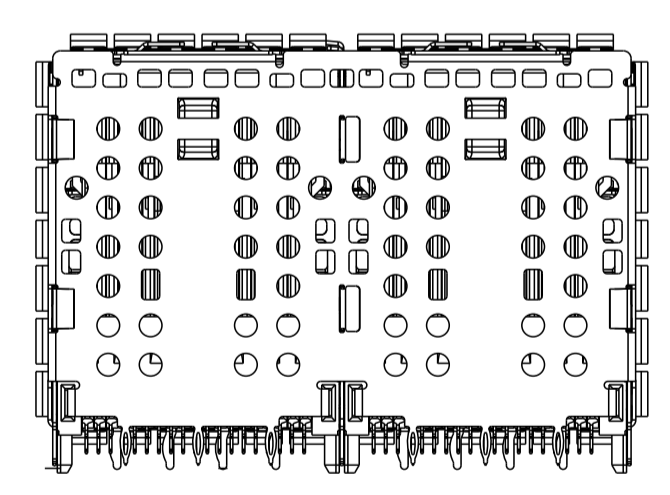
2299870-5
2-2299870-1
SCALE 2:1



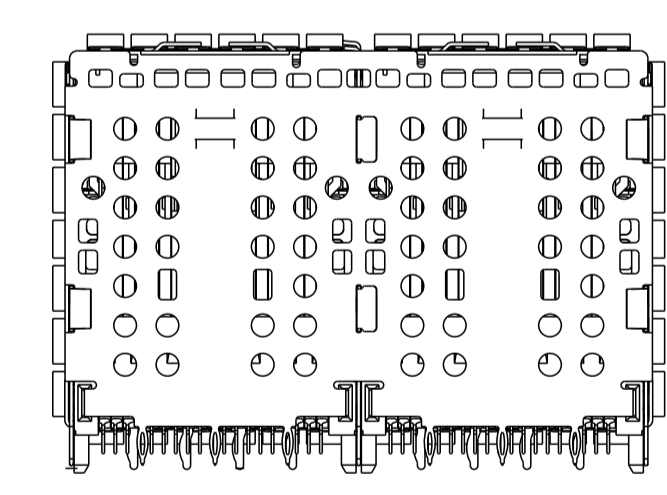
2299870-1
SCALE 2:1



2299870-2
1-2299870-2
SCALE 2:1



2299870-4
SCALE 2:1

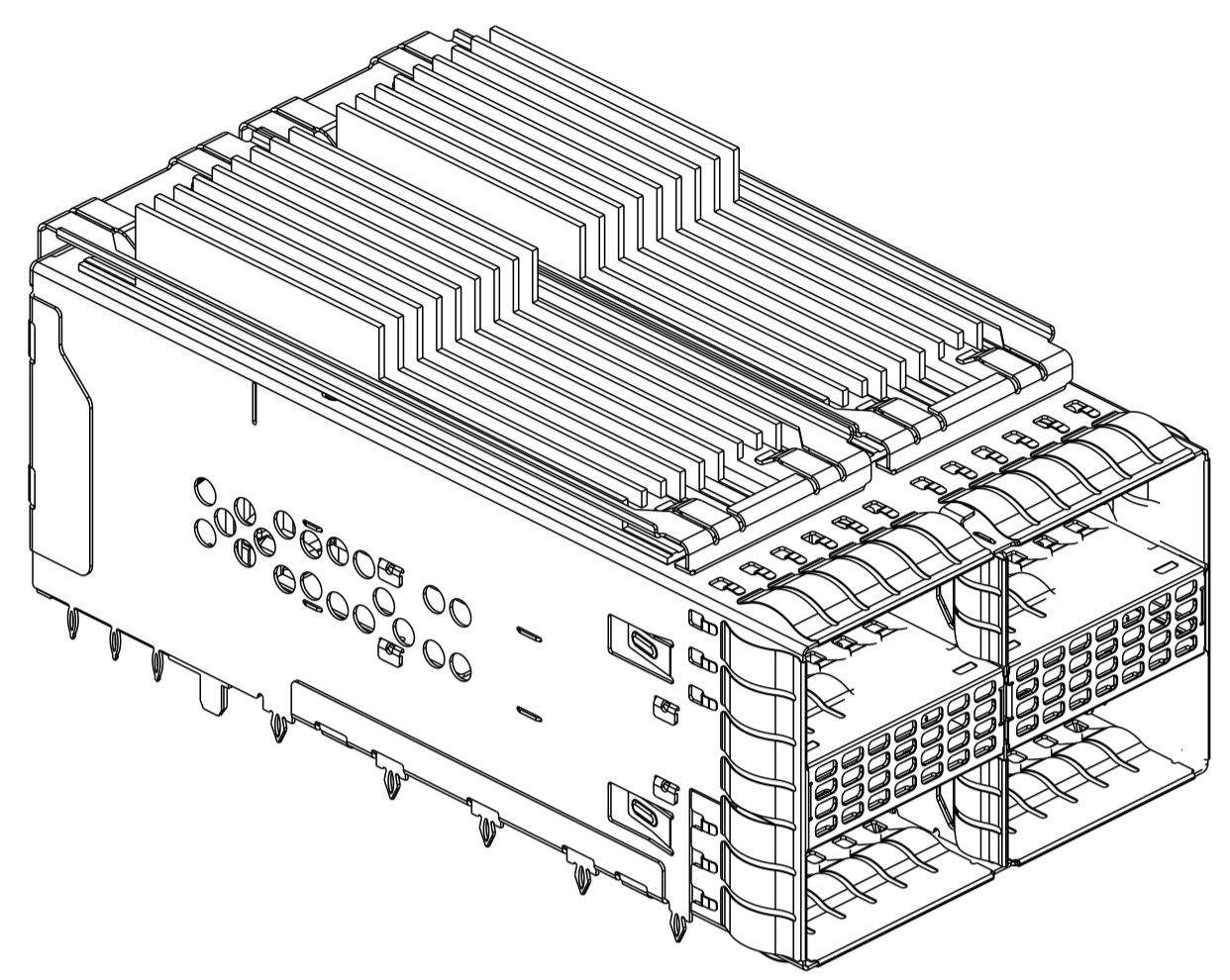


2299870-5
2-2299870-1
SCALE 2:1

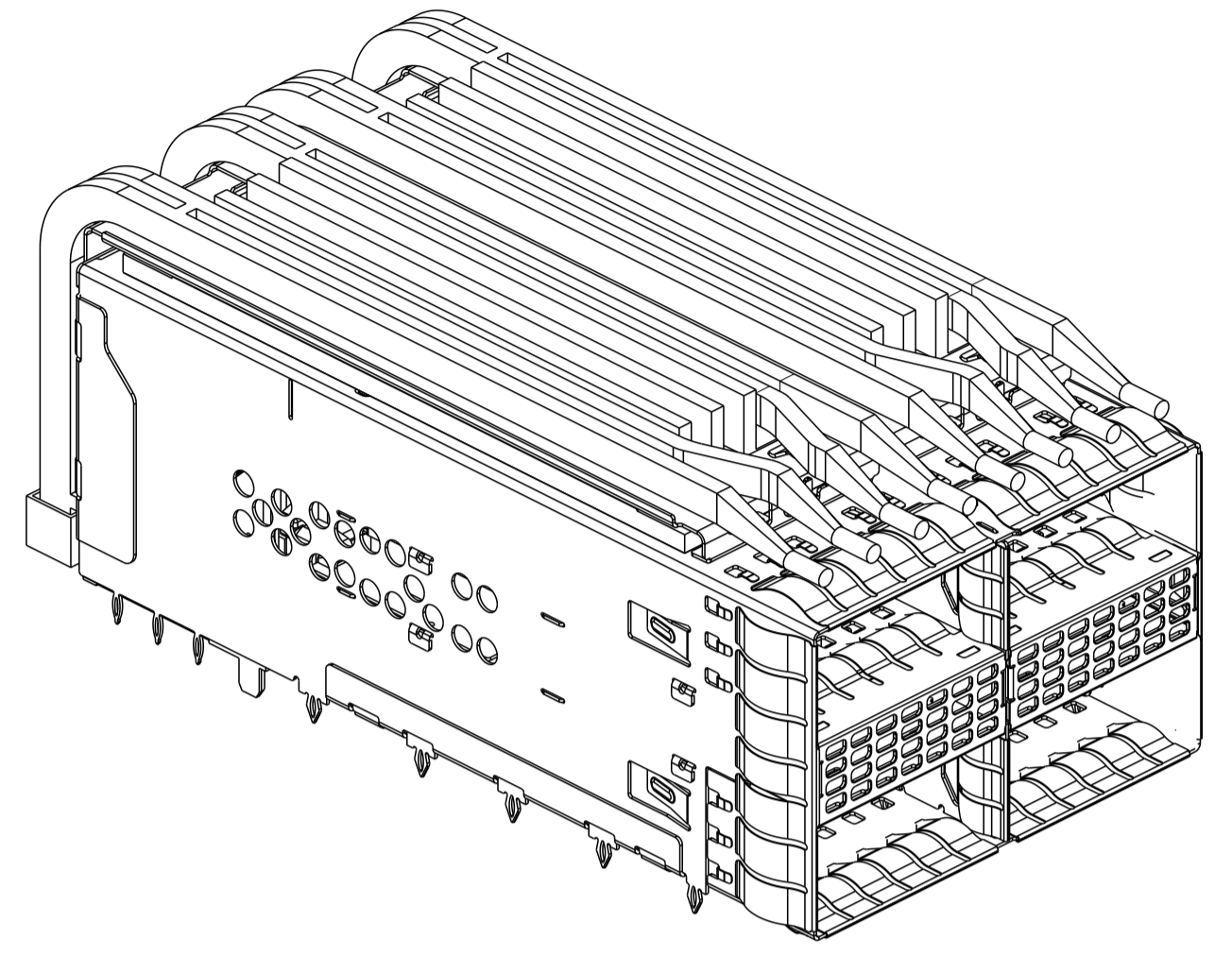
30.9	1-2299870-2
31.9	2299870-2
DIM.A	PART NUMBER

THIS DRAWING IS A CONTROLLED DOCUMENT.		OWN TIM XUE 28JAN2016	TE Connectivity
DIMENSIONS:		CHK SEAN HAN 28JAN2016	
mm	TOLERANCES UNLESS OTHERWISE SPECIFIED:	APVD SEAN HAN 28JAN2016	NAME
	0 PLC ± 1 PLC ±0.25 2 PLC ±0.15 3 PLC ± 4 PLC ± ANGLES ± FINISH ±	PRODUCT SPEC 108-60102	CAGE AND CONNECTOR ASSEMBLY WITH EMI SPRING FINGERS, THRU BEZEL, 2X2 ZQSPF+ STACKED WITH HS
MATERIAL SEE NOTE 1	SEE NOTE 2	APPLICATION SPEC 114-60015	RESTRICTED TO
		WEIGHT	SIZE CAGE CODE DRAWING NO
		CUSTOMER DRAWING	A100779C=2299870
		SCALE 1:1	SHEET 2 OF 16 REV K5

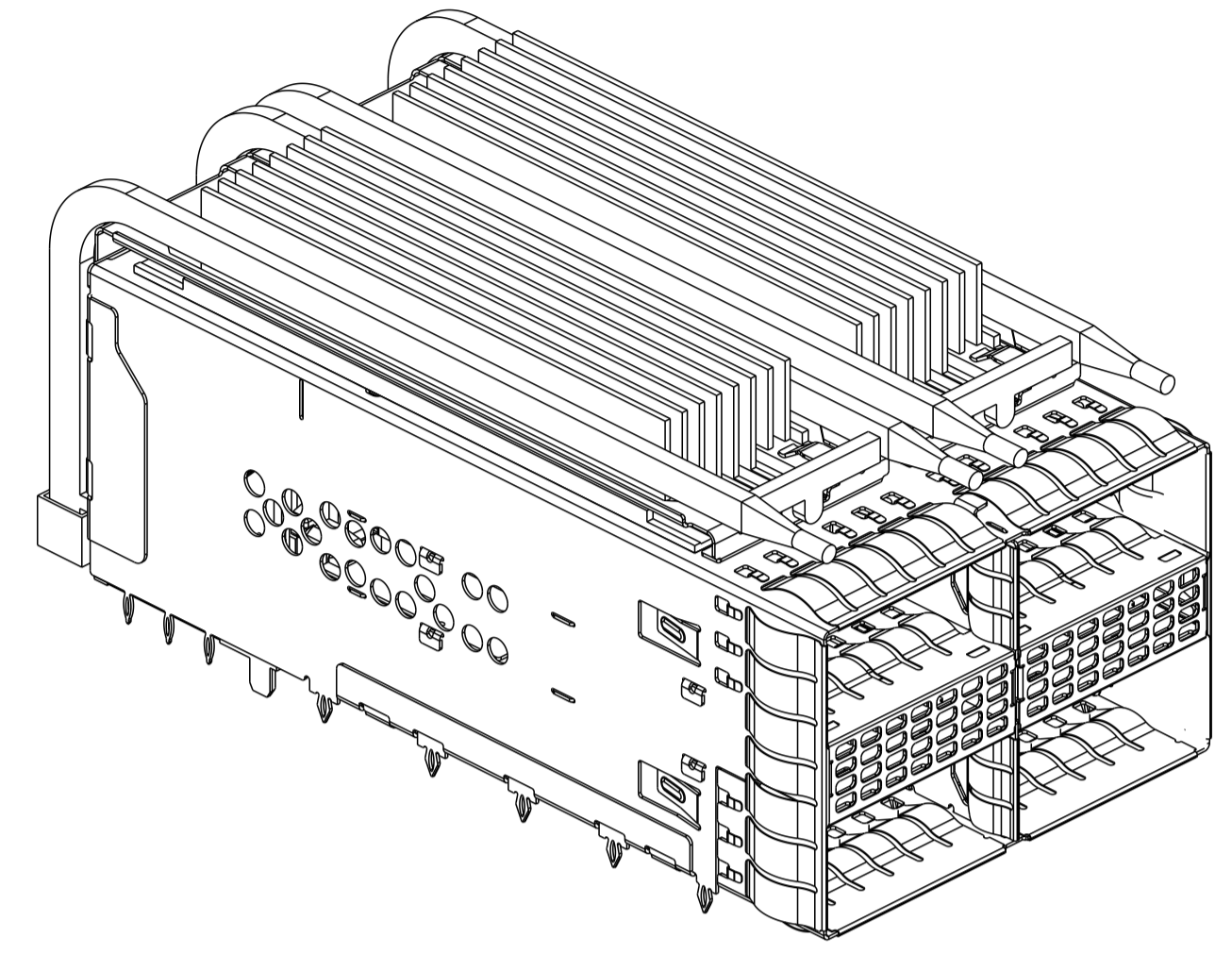
LOC	DIST	REVISIONS			
P	LYR	DESCRIPTION	DATE	OWN	APVD
GP	00	SEE SHEET 1			



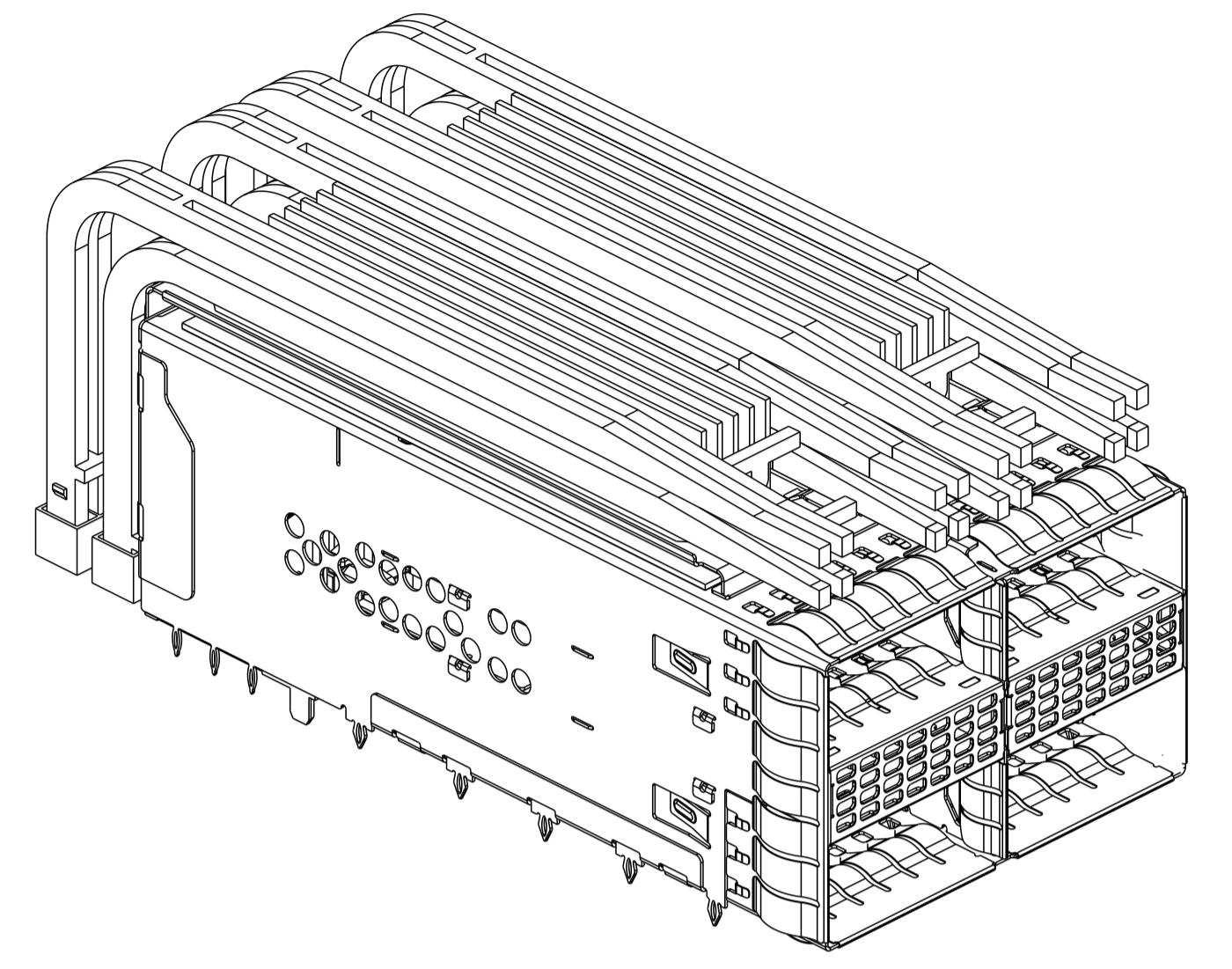
2299870-6
SCALE 2:1



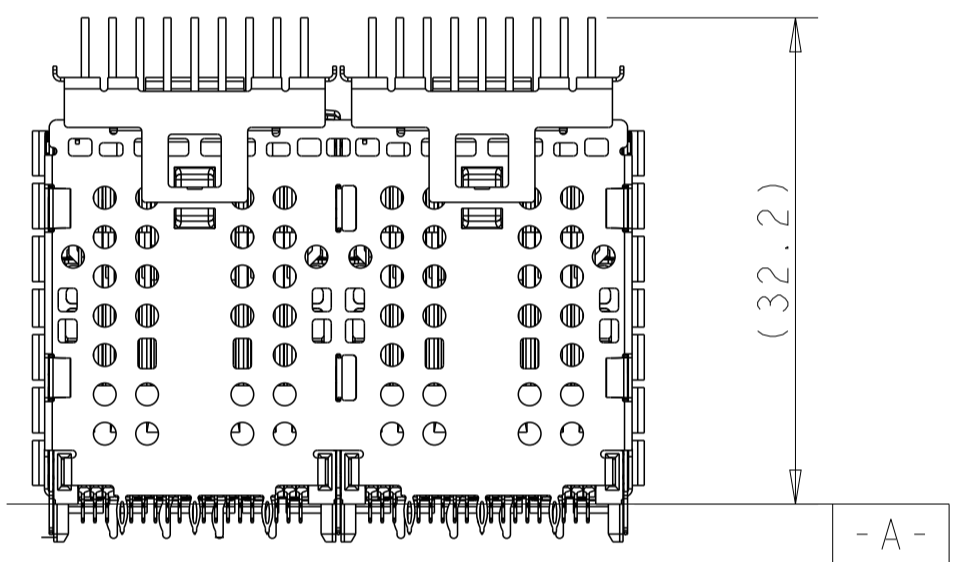
2299870-7
SCALE 2:1



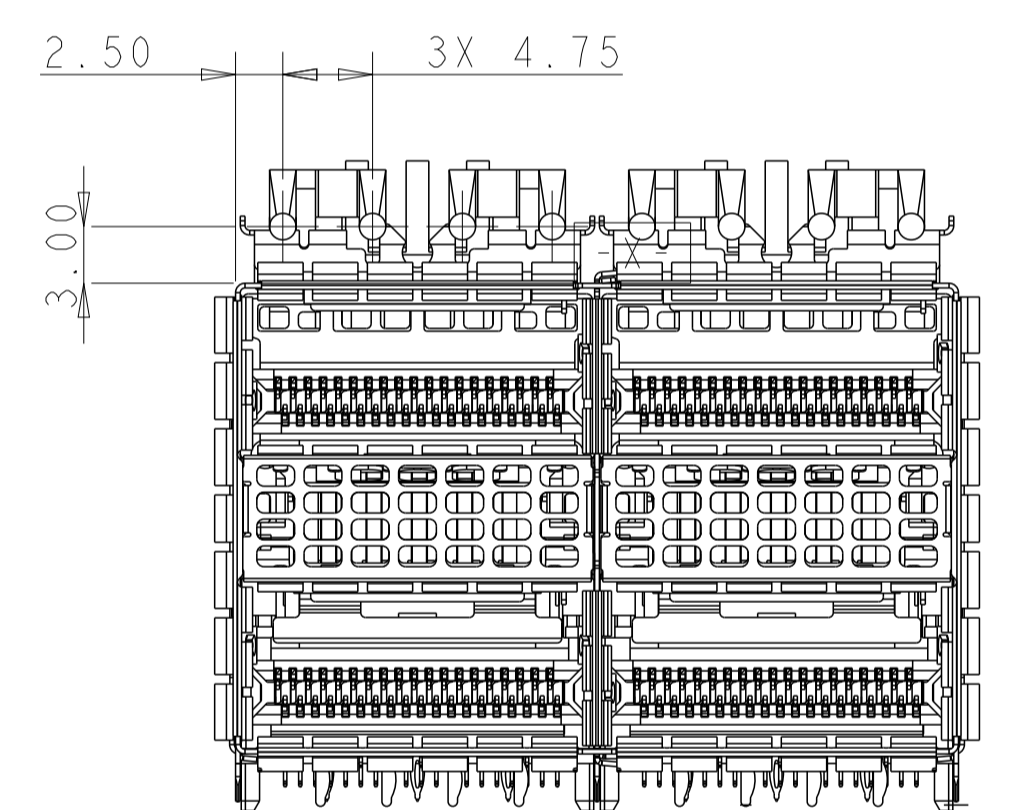
2299870-8
SCALE 2:1



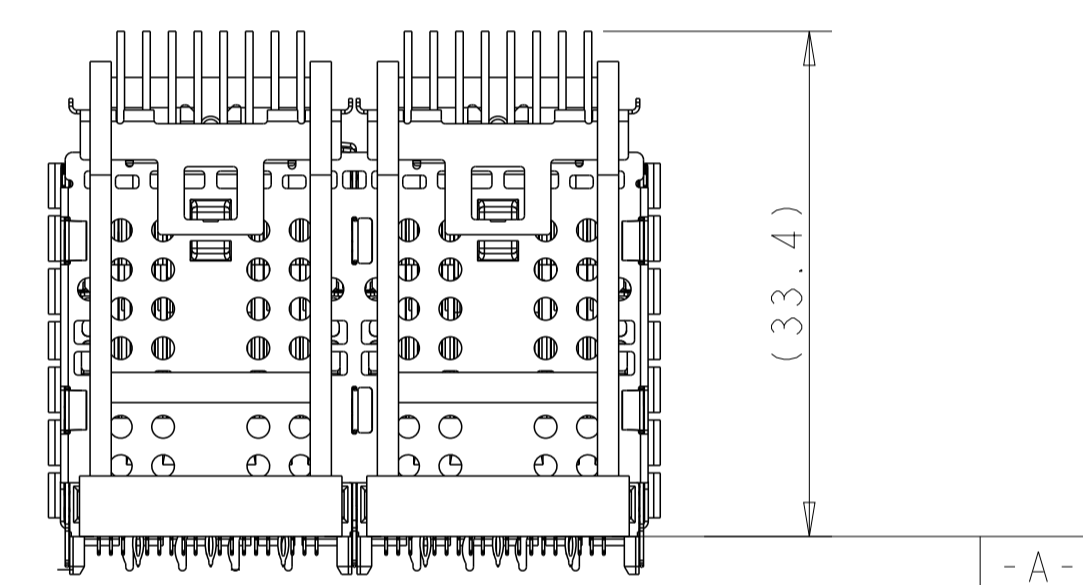
2299870-9
SCALE 2:1



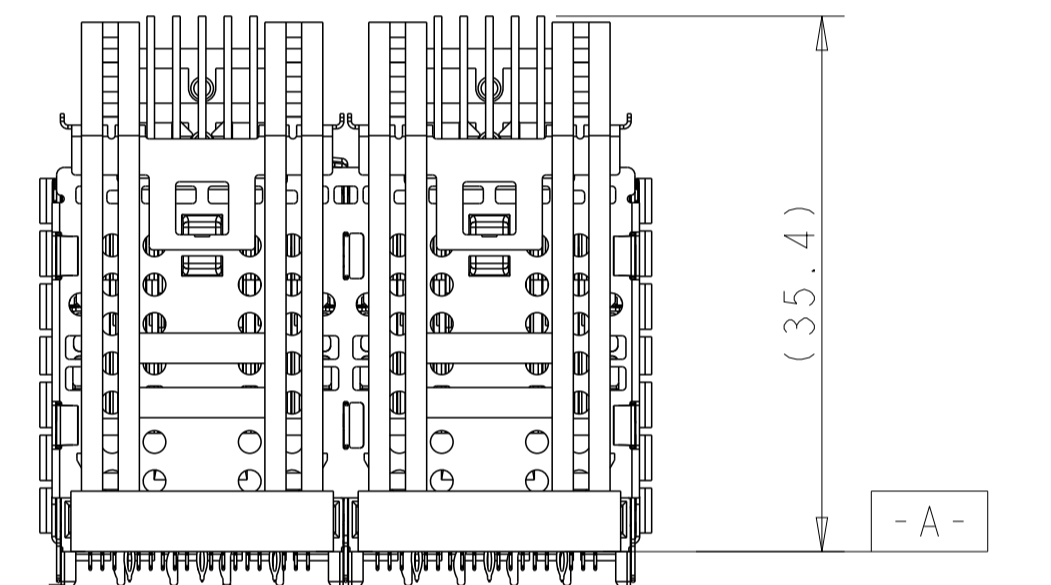
2299870-6
SCALE 2:1



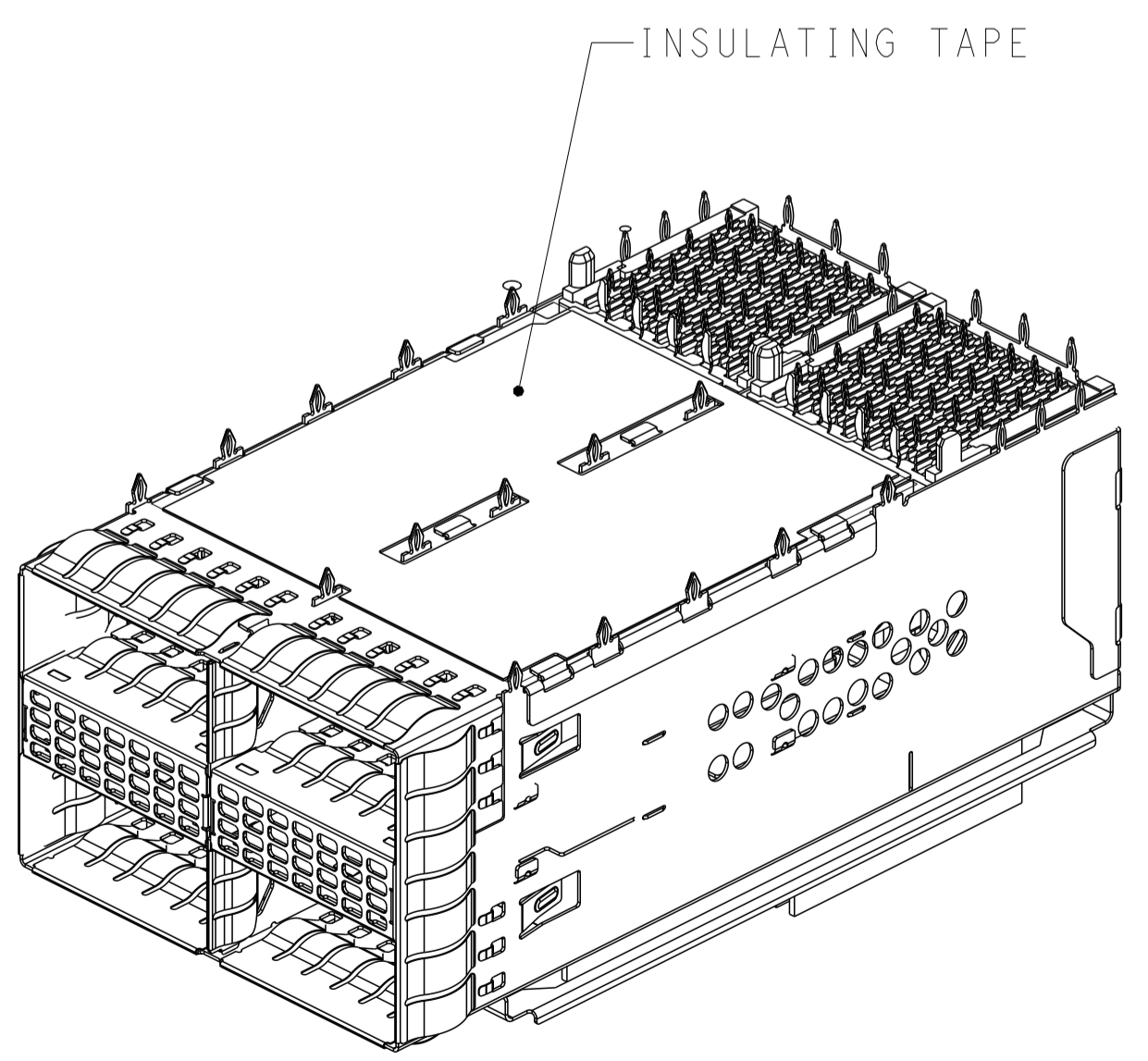
SCALE 5:2



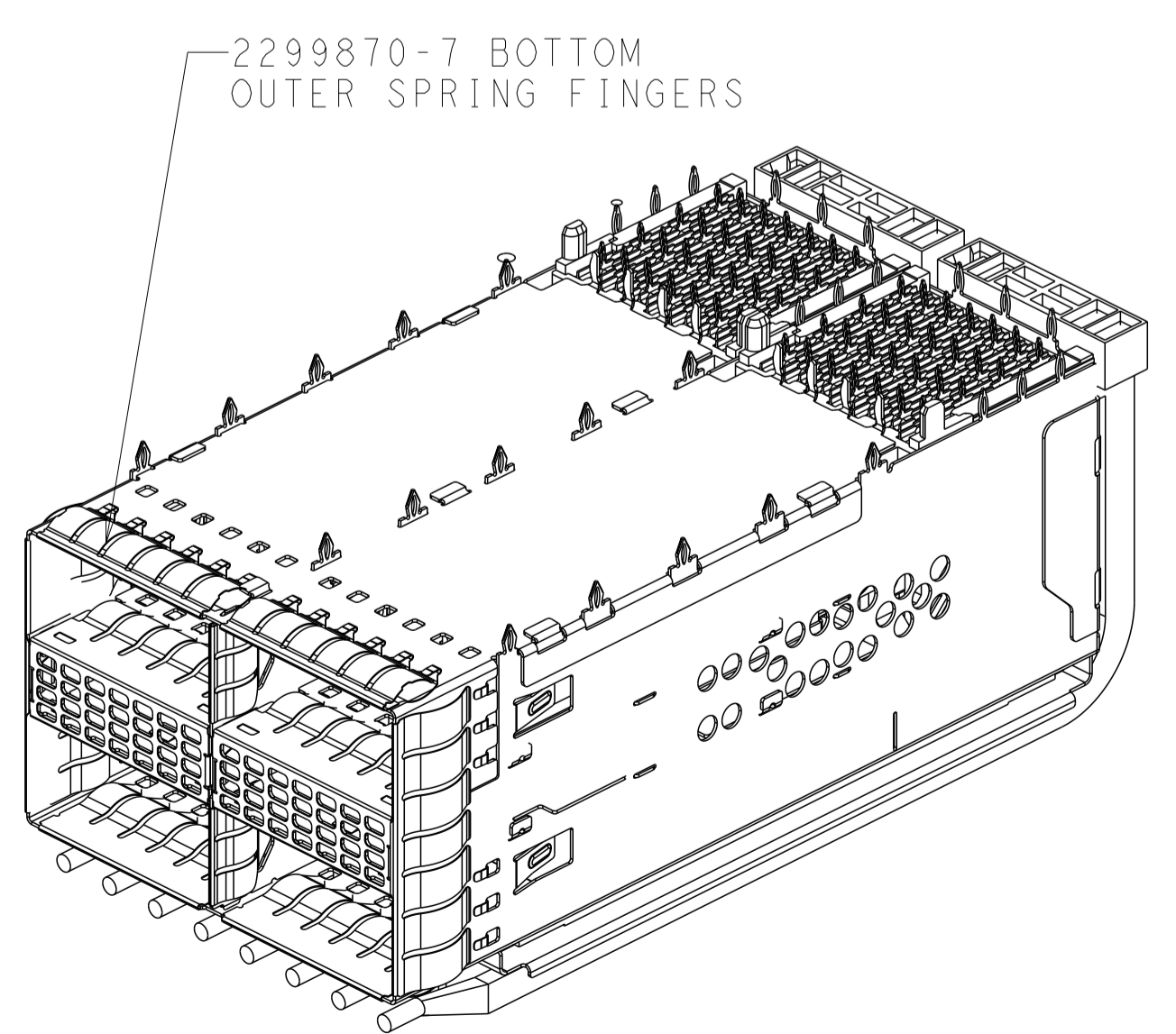
2299870-8
SCALE 2:1



SCALE 2:1



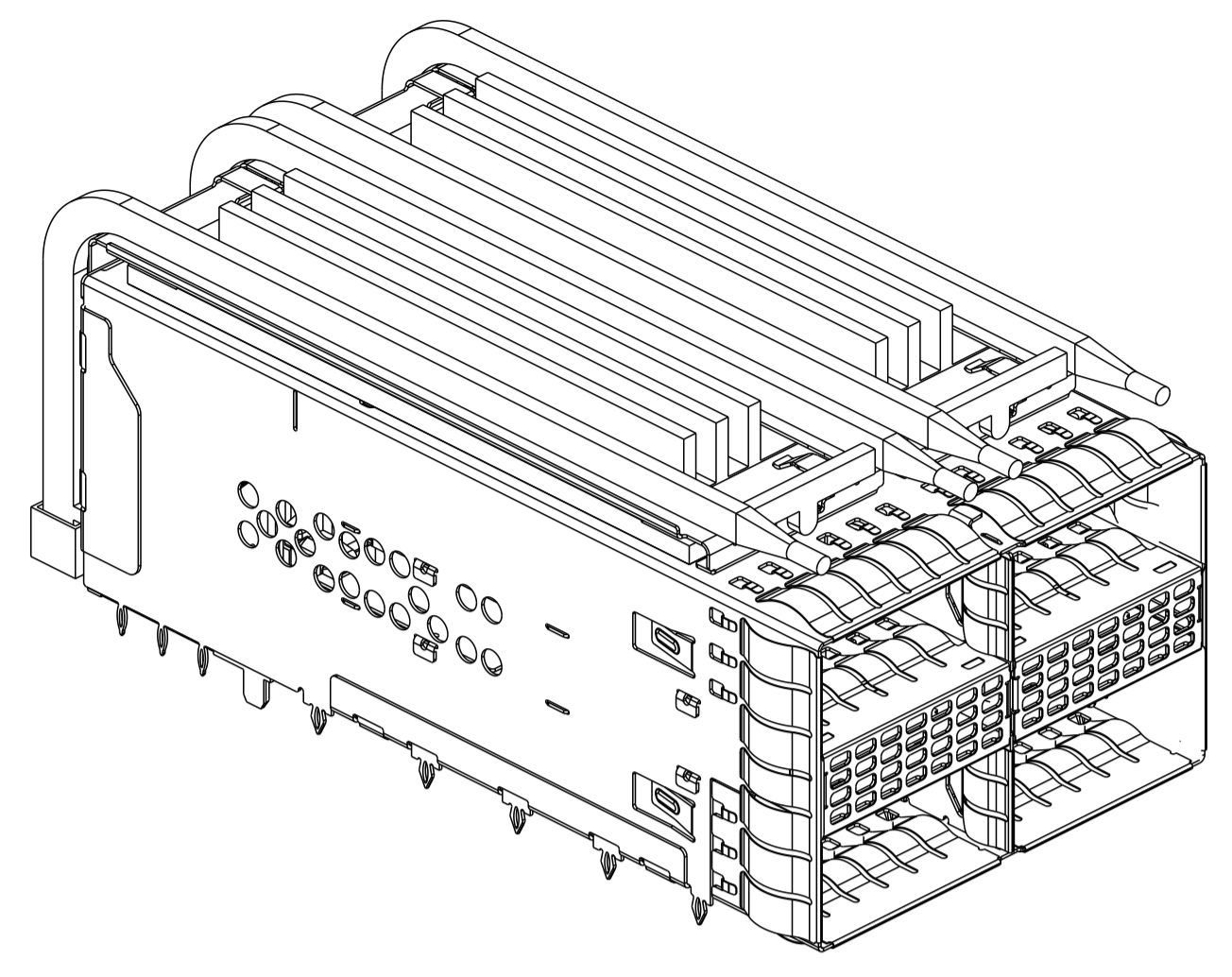
3-2299870-6
SCALE 2:1
1. INSULATING TAPE IS ADDED
2. ALL OTHER SPECS ARE THE SAME AS 2299870-6



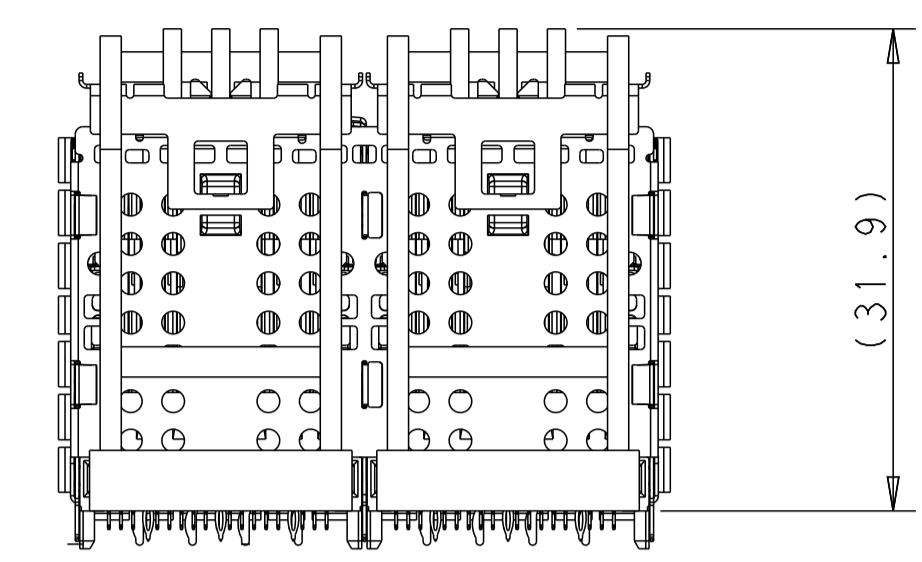
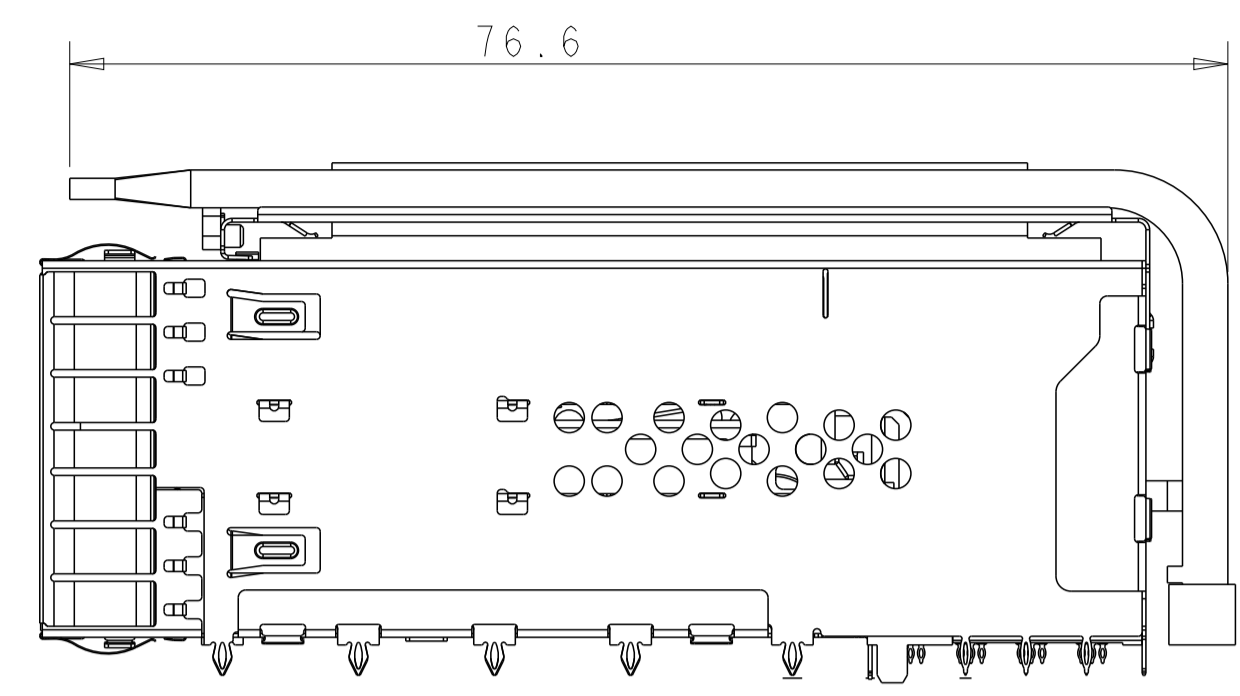
2299870-7
SCALE 2:1

THIS DRAWING IS A CONTROLLED DOCUMENT.		OWN: TIM XUE 28JAN2016	TE Connectivity												
DIMENSIONS:		CHK: SEAN HAN 28JAN2016													
TOLERANCES UNLESS OTHERWISE SPECIFIED:		APVD: SEAN HAN 28JAN2016													
mm		NAME: CAGE AND CONNECTOR ASSEMBLY WITH EMI SPRING FINGERS, THRU BEZEL, 2X2 ZOSFP+ STACKED WITH HS													
<table border="1"> <tr> <td>0 PLC</td> <td>±</td> </tr> <tr> <td>1 PLC</td> <td>±0.25</td> </tr> <tr> <td>2 PLC</td> <td>±0.15</td> </tr> <tr> <td>3 PLC</td> <td>±</td> </tr> <tr> <td>4 PLC</td> <td>±</td> </tr> <tr> <td>ANGLES</td> <td>±</td> </tr> </table>		0 PLC	±	1 PLC	±0.25	2 PLC	±0.15	3 PLC	±	4 PLC	±	ANGLES	±	PRODUCT SPEC: 108-60102	SIZE: 114-60015
0 PLC	±														
1 PLC	±0.25														
2 PLC	±0.15														
3 PLC	±														
4 PLC	±														
ANGLES	±														
MATERIAL: SEE NOTE 1		APPLICATION SPEC: 114-60015	RESTRICTED TO: CUSTOMER DRAWING												
FINISH: SEE NOTE 2		WEIGHT: -	SCALE: 1:1												
		CAGE CODE: A100779	SHEET 3 OF 16												
		DRAWING NO: C=2299870	REV: K5												

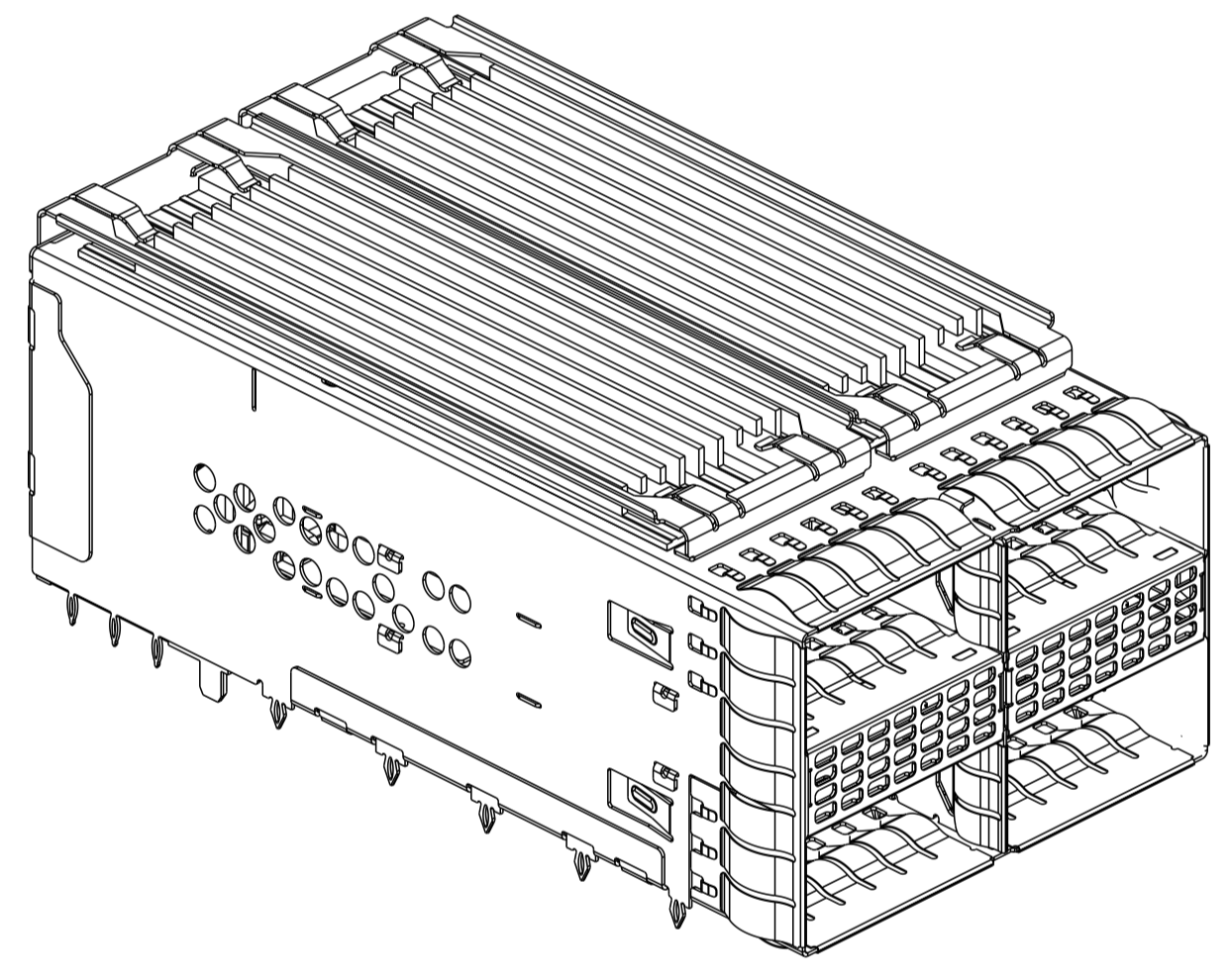
LOC		DIST		REVISIONS				
P	LYR	DATE	OWN	APVD	DESCRIPTION	DATE	OWN	APVD
-	-	-	-	-	SEE SHEET 1	-	-	-



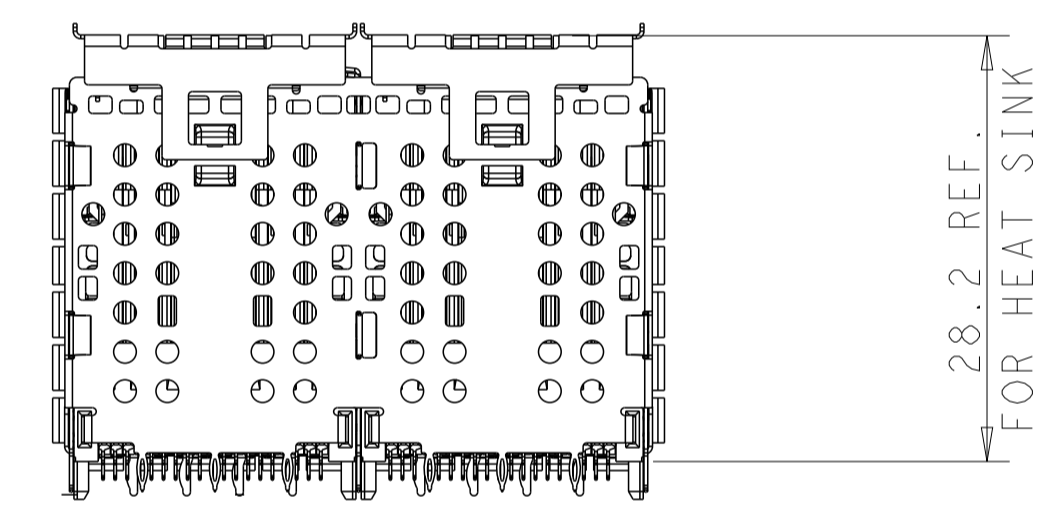
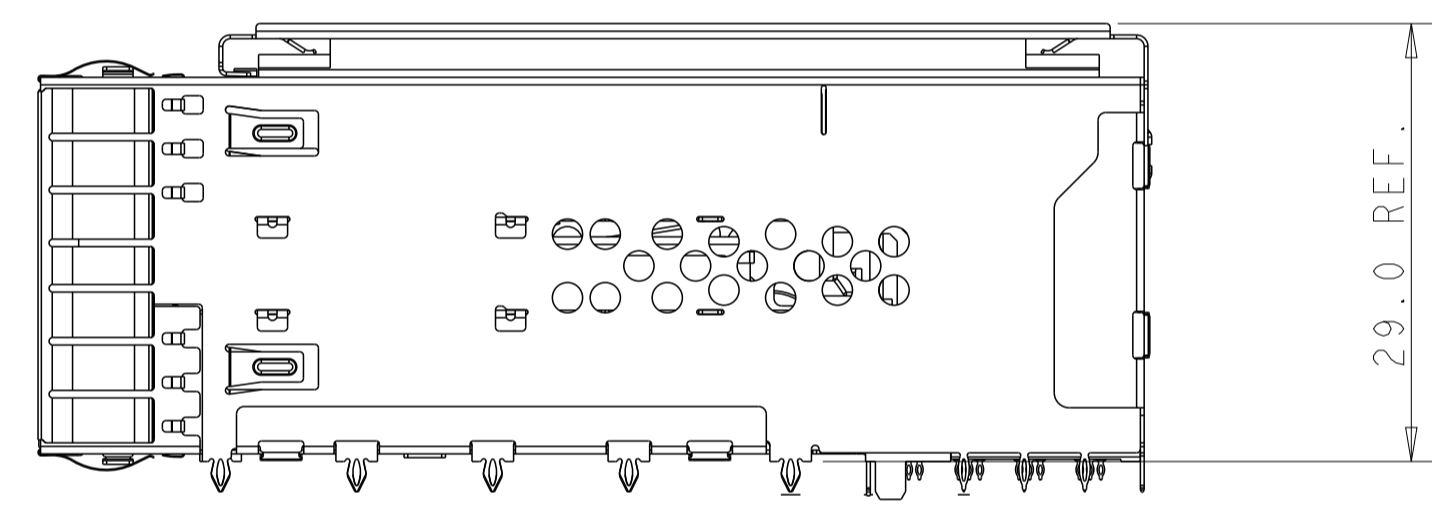
1-2299870-0
SCALE 2:1



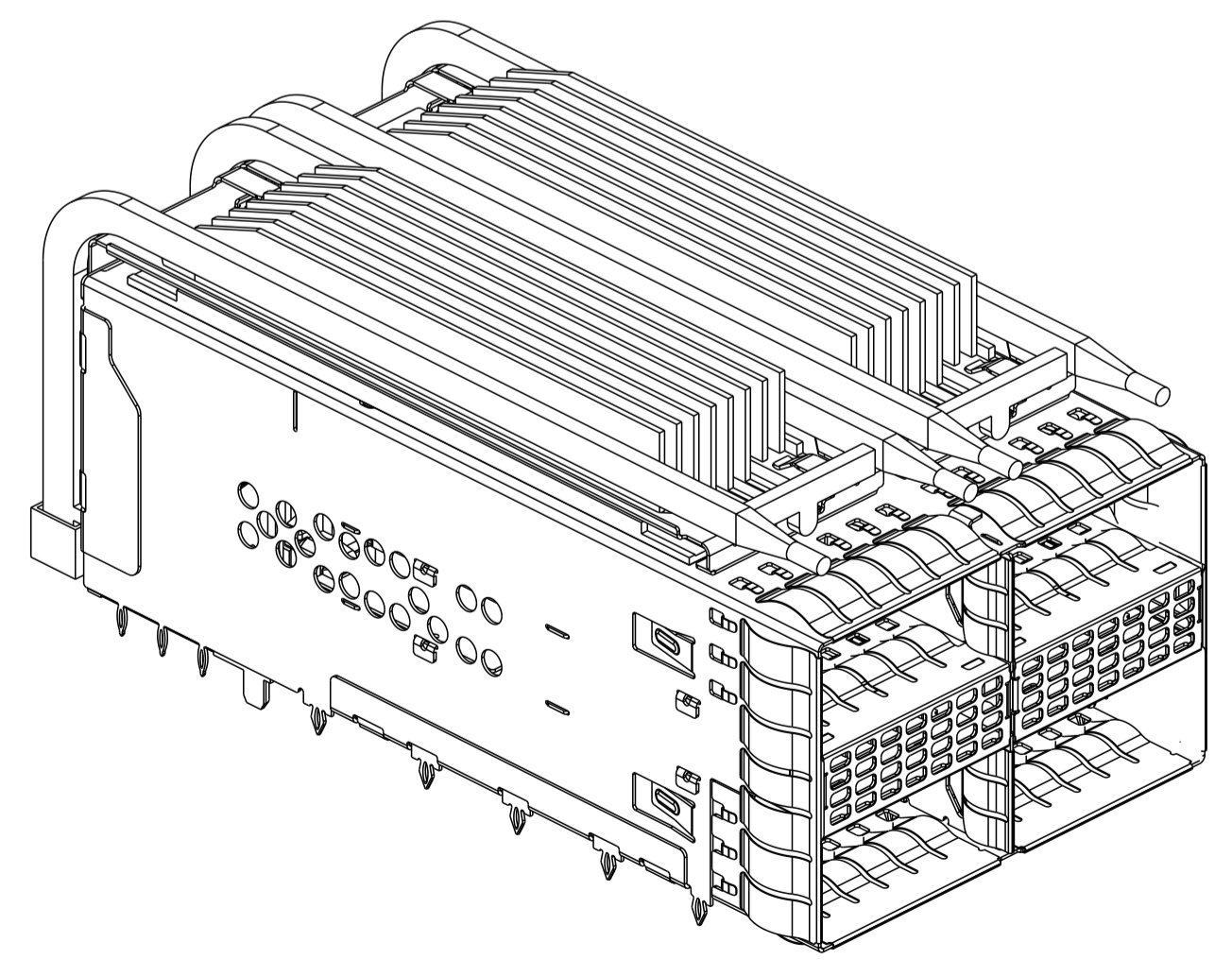
1-2299870-0
SCALE 2:1



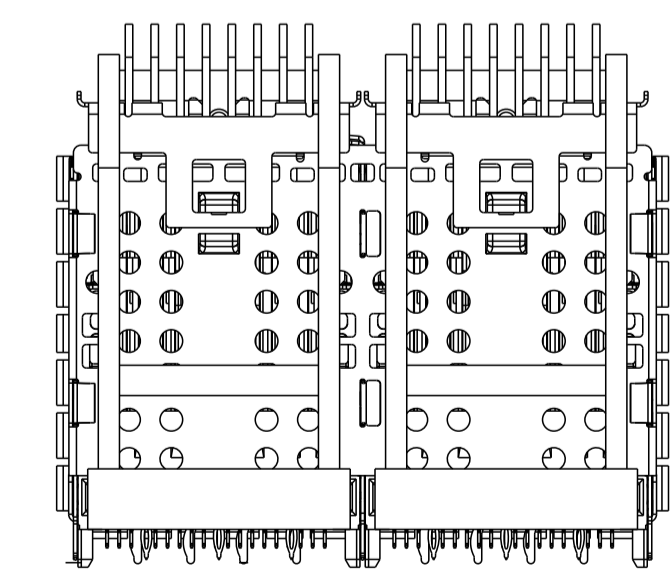
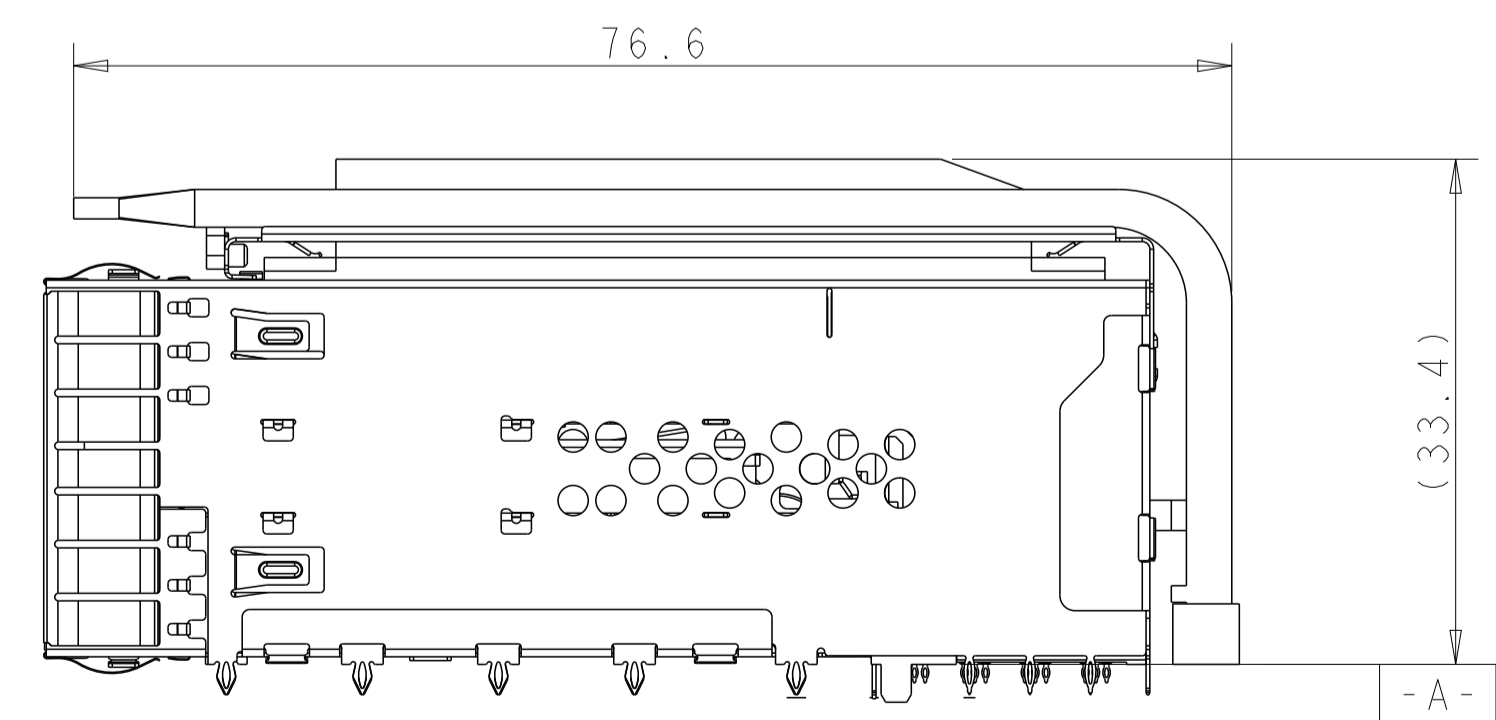
1-2299870-6
SCALE 2:1



SCALE 2:1



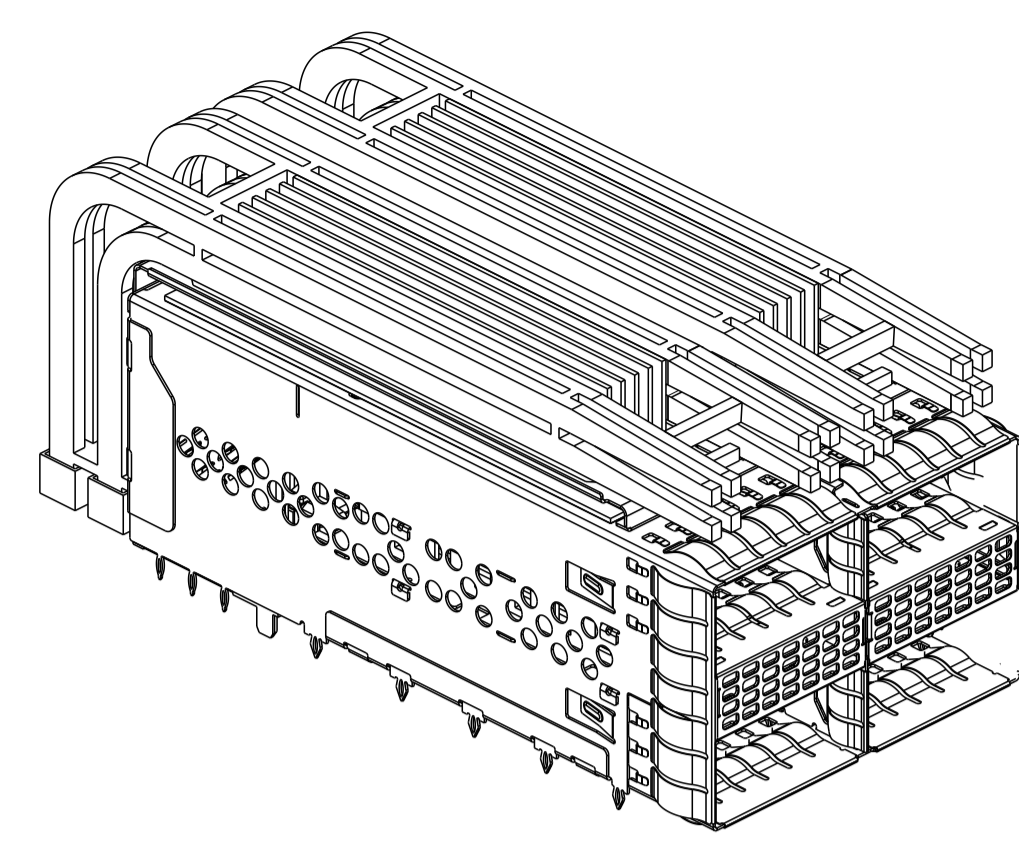
1-2299870-8
2-2299870-8
SCALE 2:1



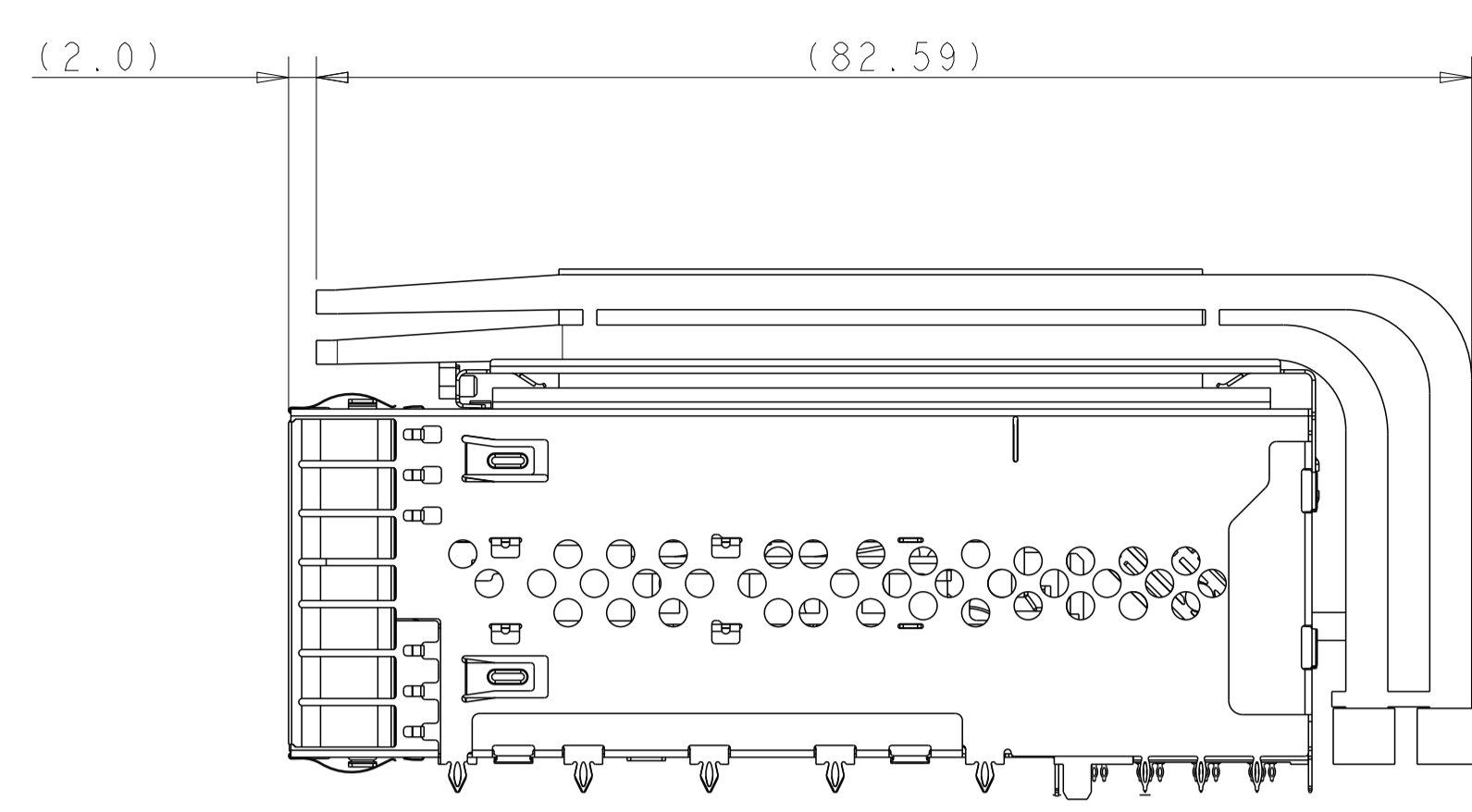
1-2299870-8
2-2299870-8
SCALE 2:1

THIS DRAWING IS A CONTROLLED DOCUMENT.		OWN	TIM XUE	28JAN2016		TE Connectivity	
DIMENSIONS:		CHK	SEAN HAN	28JAN2016		NAME	
mm	0 PLC ±	APVD		SEAN HAN	28JAN2016		PRODUCT SPEC
	1 PLC ±0.25	PRODUCT SPEC		108-60102		APPLICATION SPEC	SIZE
	2 PLC ±0.15	APPLICATION SPEC		114-60015		WEIGHT	CAGE CODE
	3 PLC ±	WEIGHT		-		DRAWING NO	RESTRICTED TO
	4 PLC ±	FINISH		-		A100779	C=2299870
MATERIAL	ANGLES	SEE NOTE 1		SEE NOTE 2		CUSTOMER DRAWING	SCALE
SEE NOTE 1		SEE NOTE 2		CUSTOMER DRAWING		SCALE	1:1
4805 (3/11)		SHEET		4		OF 16	
		REV		K5			

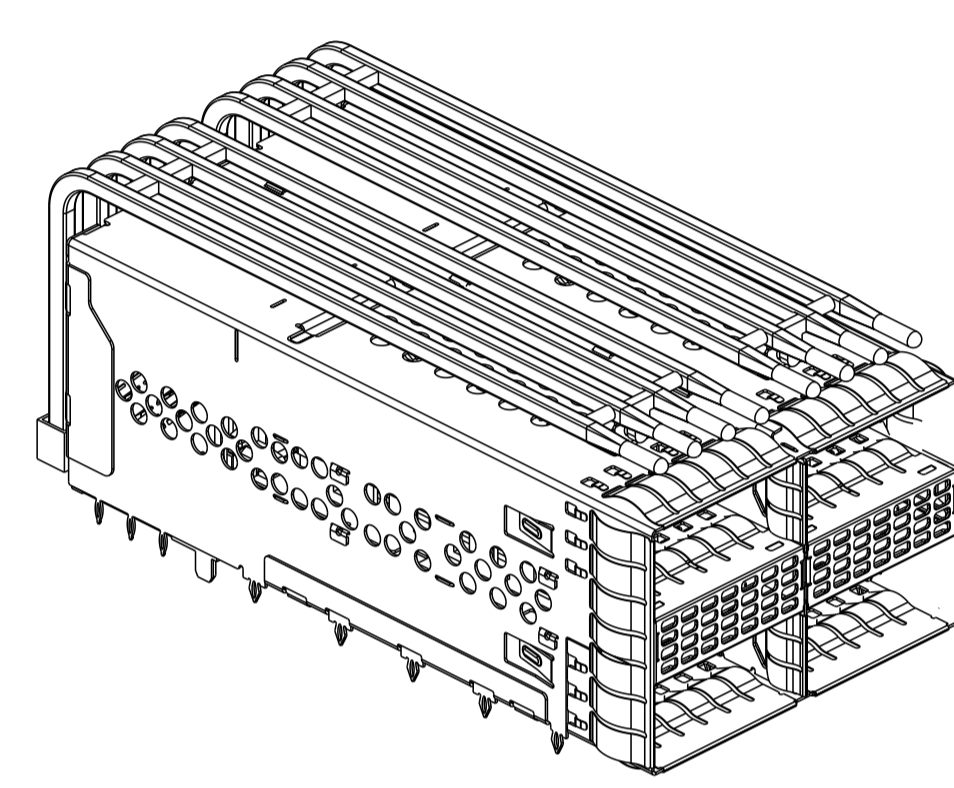
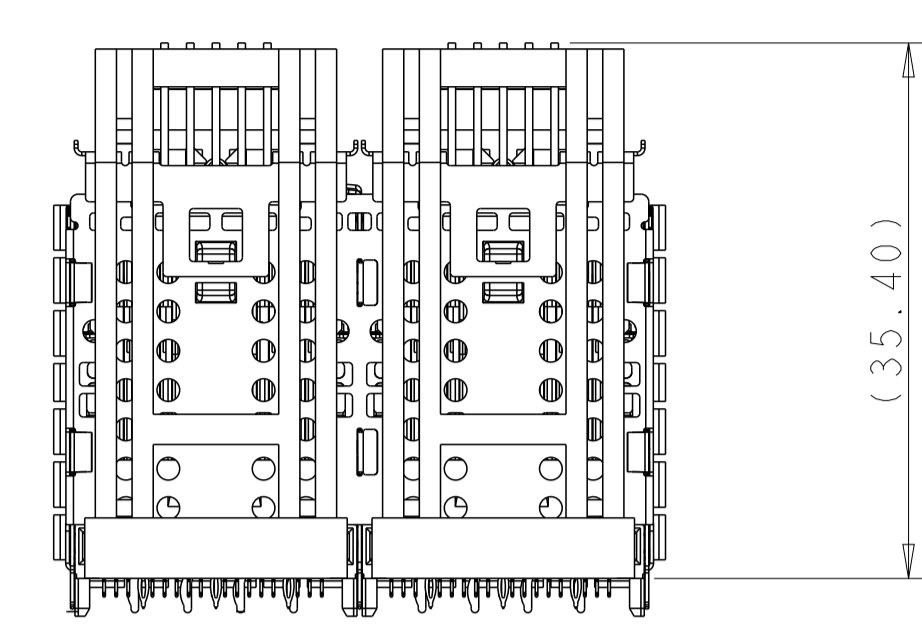
LOC		DIST		REVISIONS				
P	LYR	DATE	OWN	APVD	DESCRIPTION	DATE	OWN	APVD
-	-	-	-	-	SEE SHEET 1	-	-	-



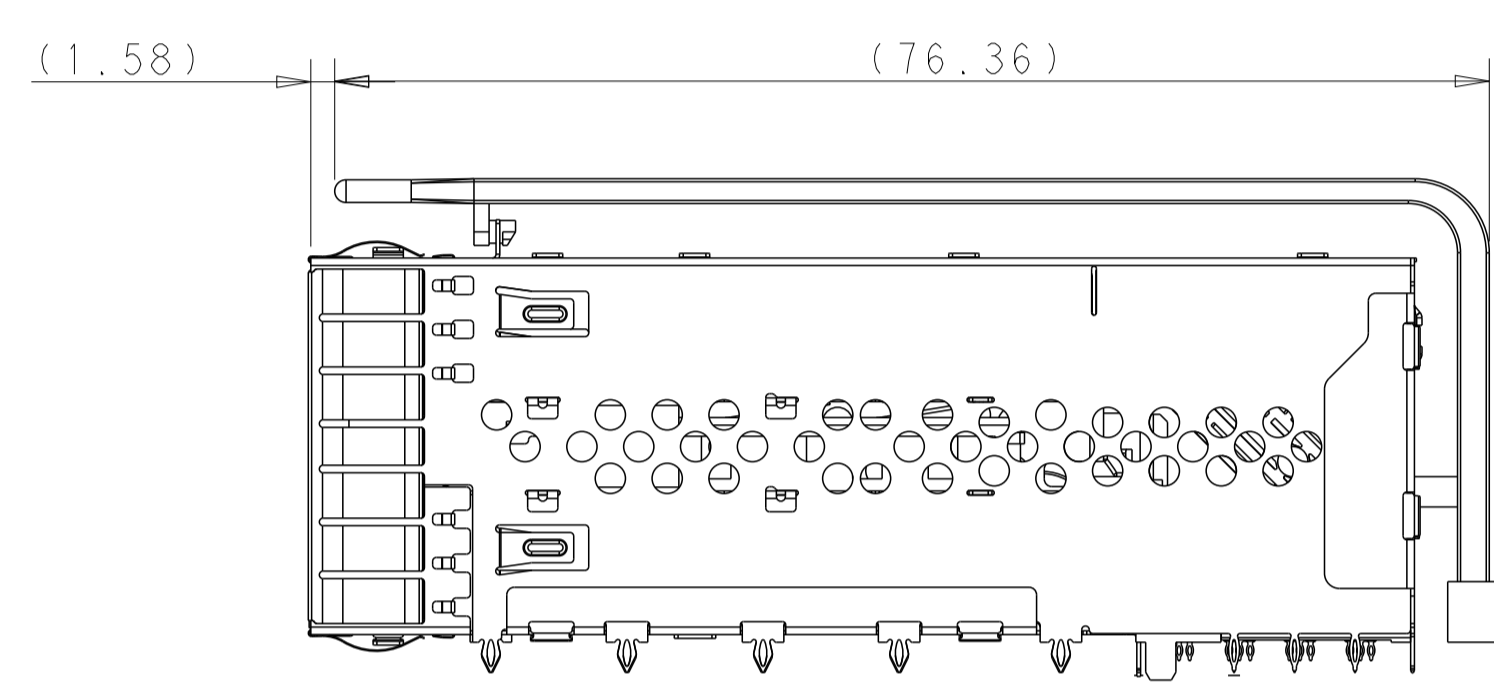
1-2299870-5
SCALE 3:2



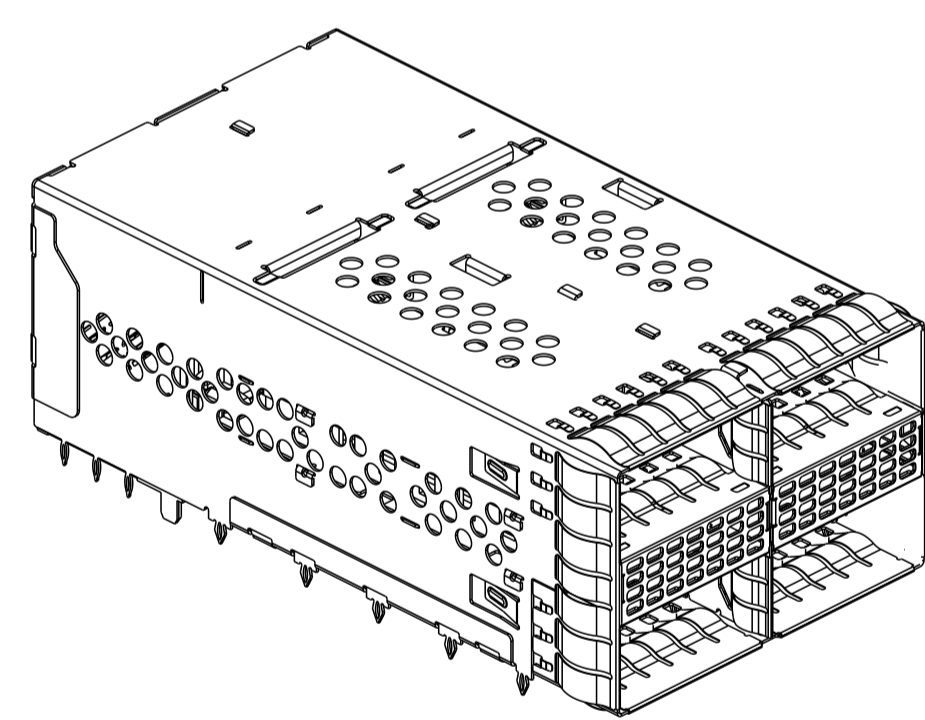
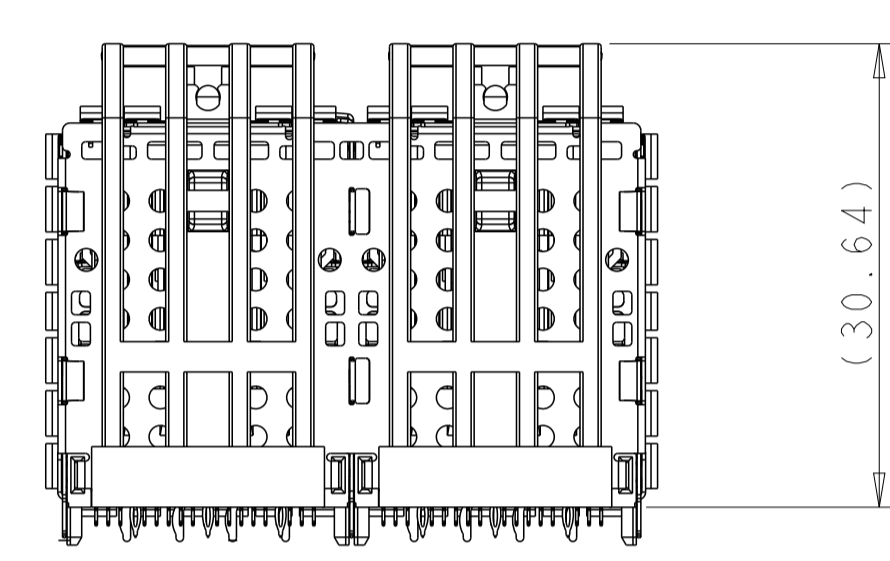
SCALE 2:1



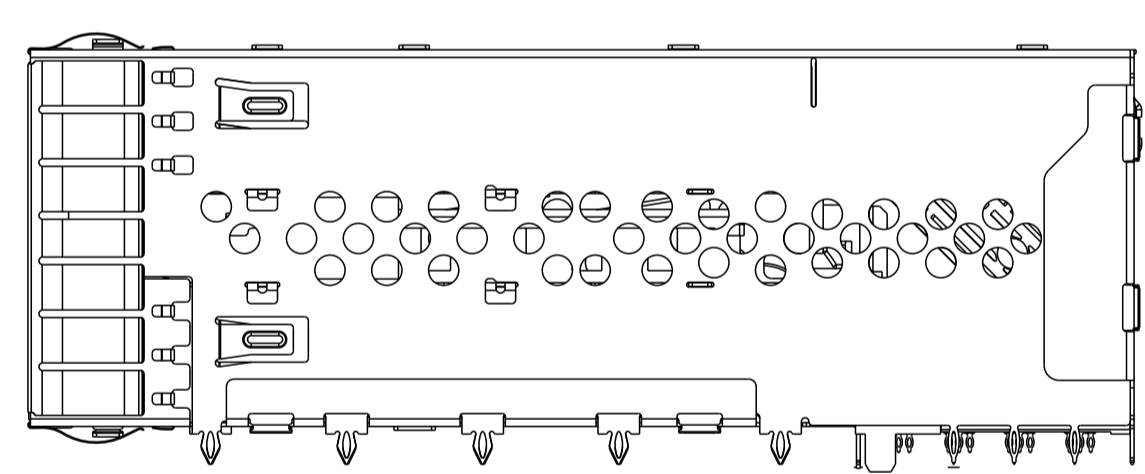
2-2299870-5
SCALE 3:2



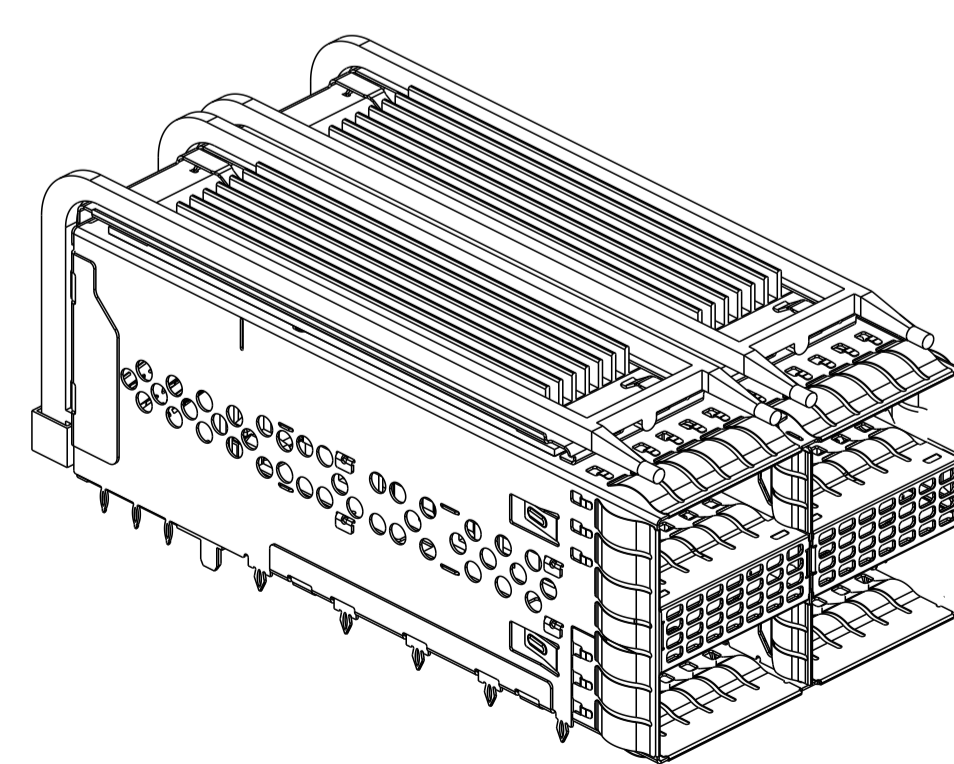
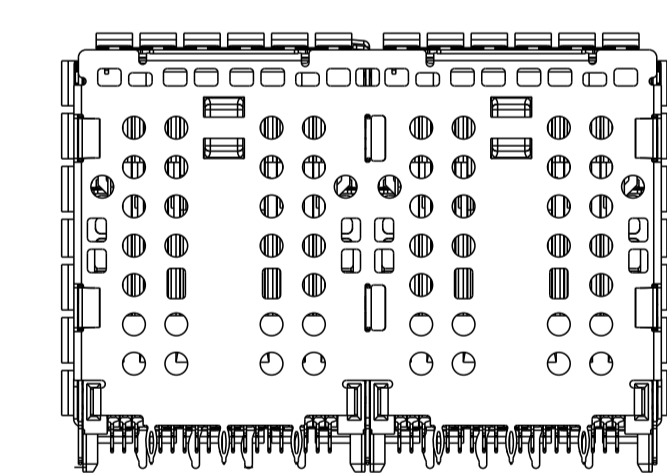
SCALE 2:1



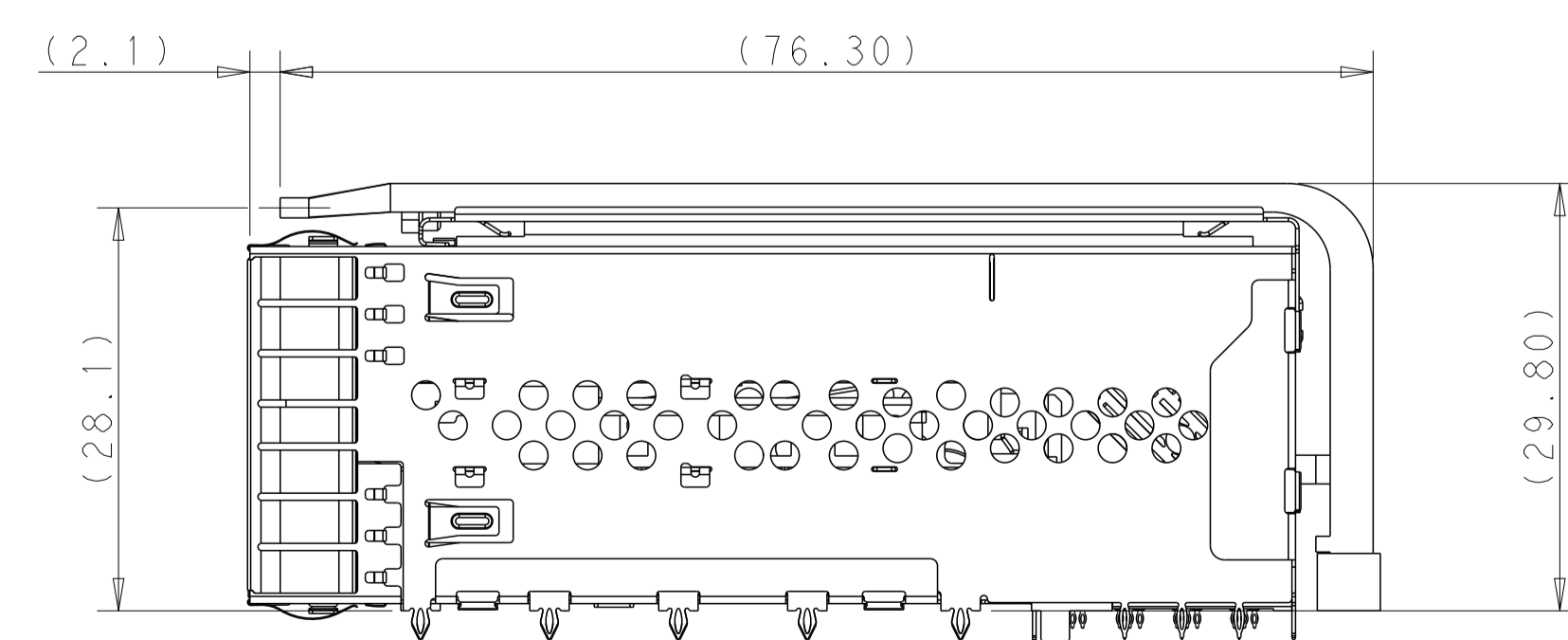
2-2299870-7
REMOVE THE LP, ALL OTHERS ARE THE SAME AS 2-2299870-5
SCALE 3:2



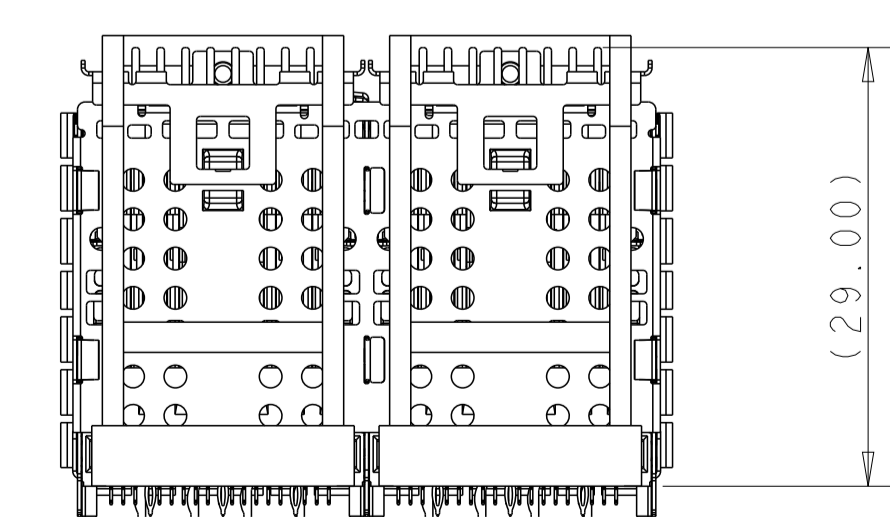
SCALE 2:1



2-2299870-0
SCALE 3:2

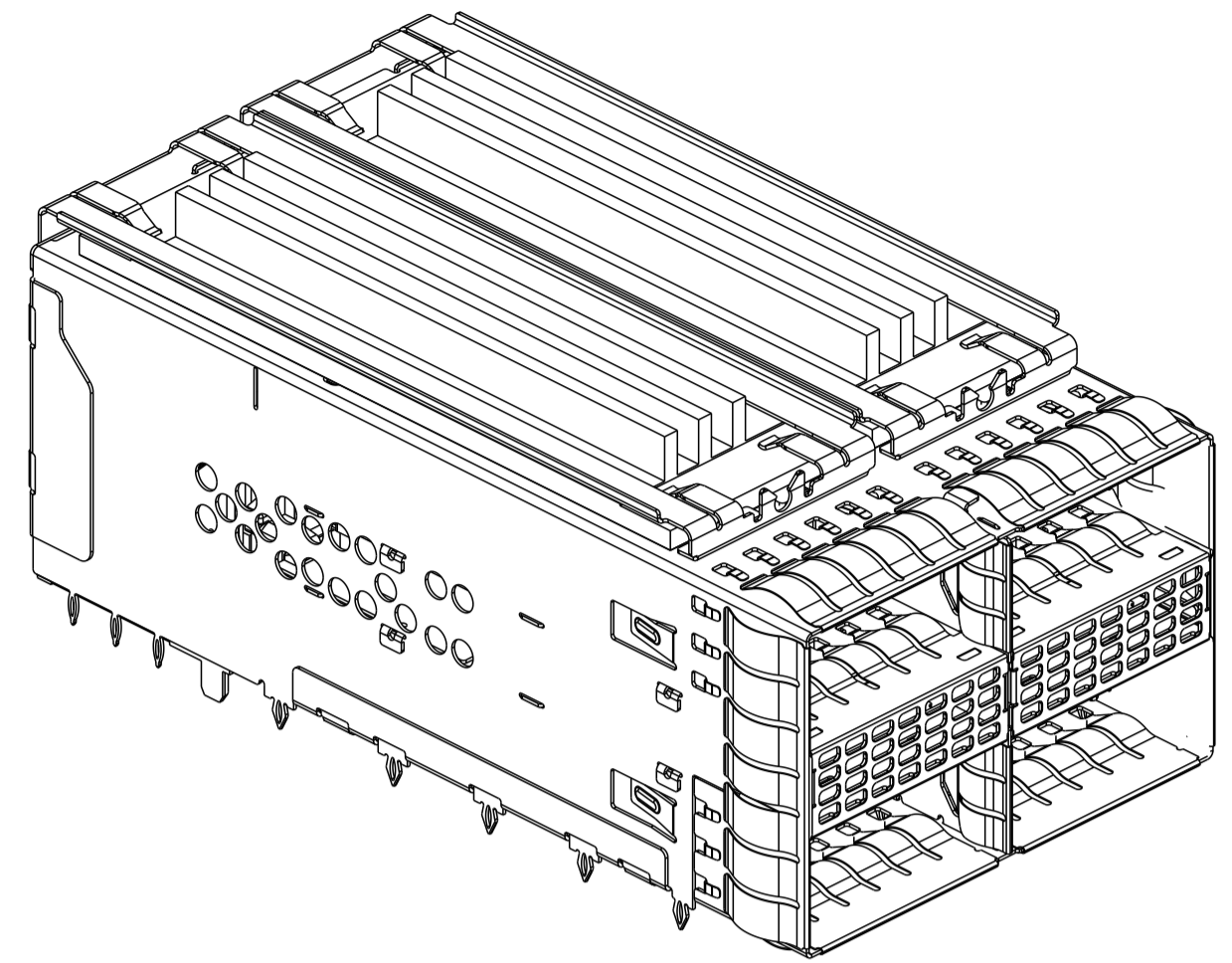


SCALE 2:1

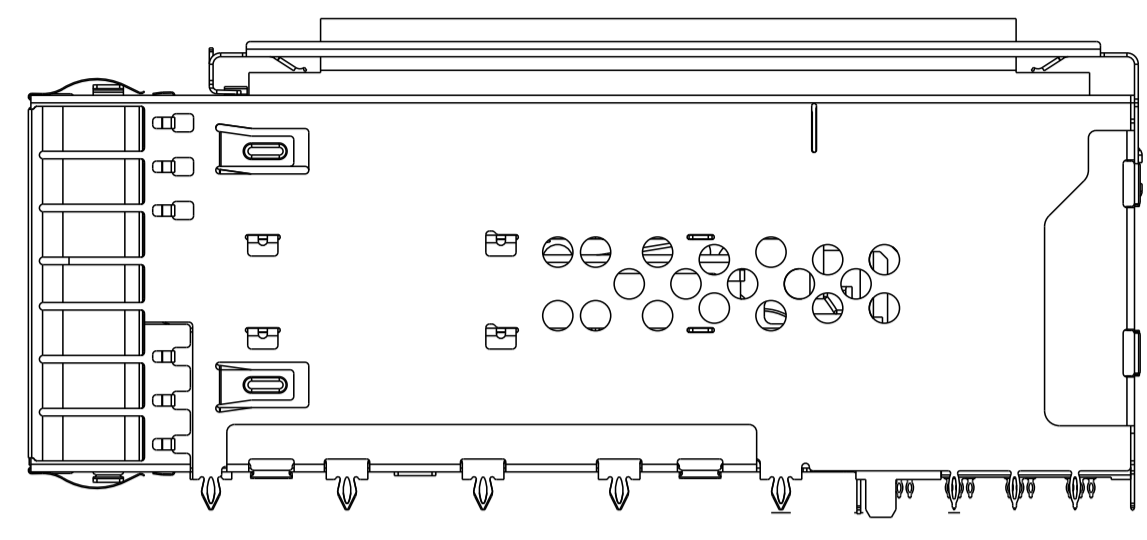


THIS DRAWING IS A CONTROLLED DOCUMENT.		OWN	TIM XUE	28JAN2016	TE Connectivity NAME CAGE AND CONNECTOR ASSEMBLY WITH EMI SPRING FINGERS, THRU BEZEL, 2X2 ZQSFP+ STACKED WITH HS PRODUCT SPEC 108-60102 APPLICATION SPEC 114-60015 WEIGHT - RESTRICTED TO A100779C=2299870						
DIMENSIONS:		CHK	SEAN HAN	28JAN2016							
mm		APVD	SEAN HAN	28JAN2016							
0 PLC ± 1 PLC ±0.25 2 PLC ±0.15 3 PLC ± 4 PLC ± ANGLES ± FINISH ±		TOLERANCES UNLESS OTHERWISE SPECIFIED:		SIZE		CAGE CODE	DRAWING NO	SCALE	1:1		
MATERIAL		SEE NOTE 1		SEE NOTE 2		CUSTOMER DRAWING		SHEET	5 OF 16	REV	K5

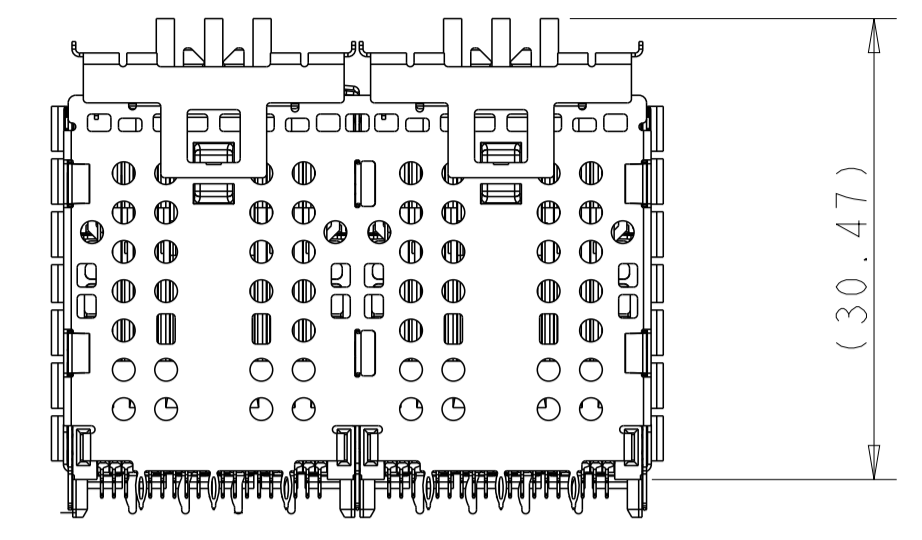
LOC	DIST	REVISIONS			
P	LYR	DESCRIPTION	DATE	OWN	APVD
GP	00	SEE SHEET 1			



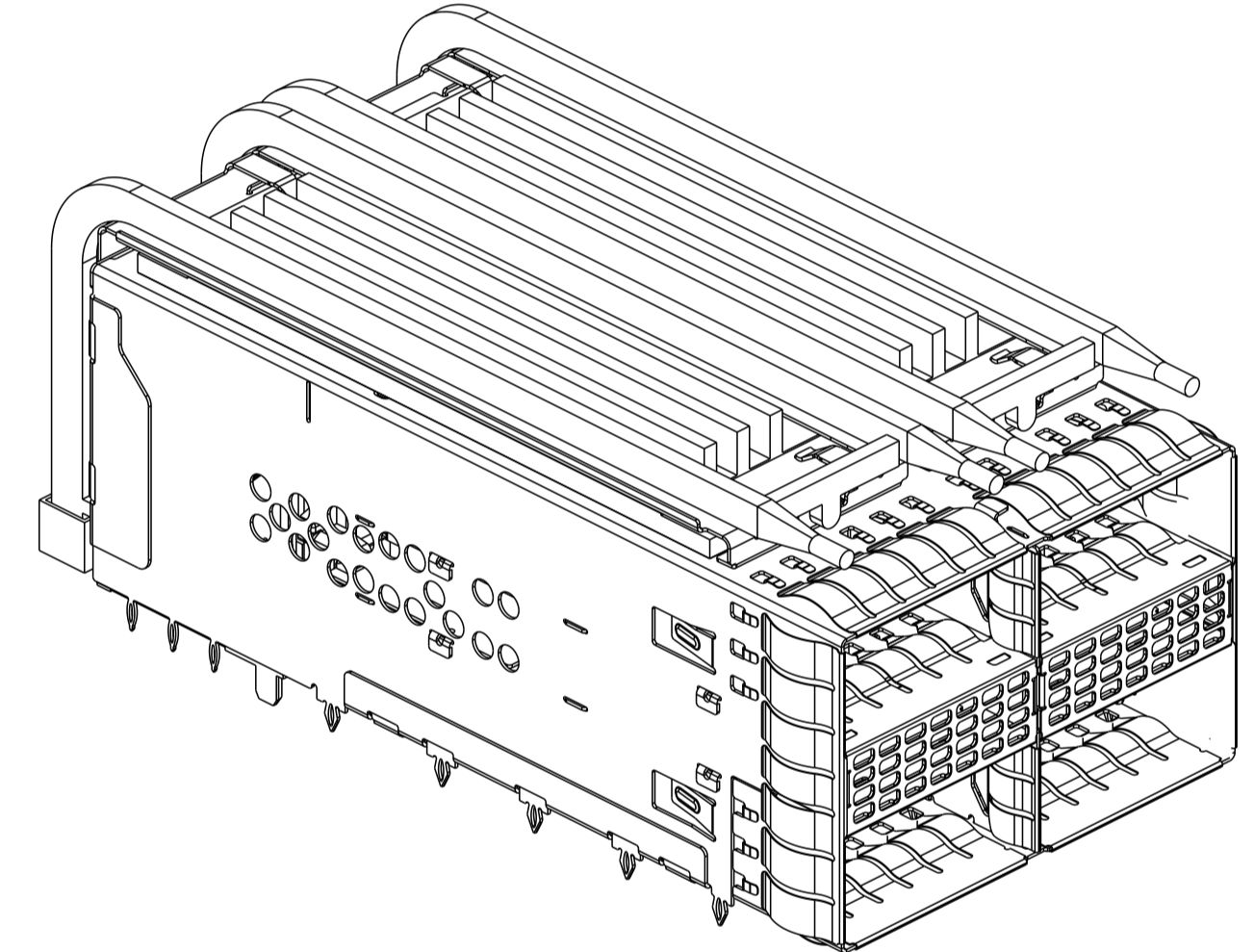
2-2299870-2
SCALE 2:1



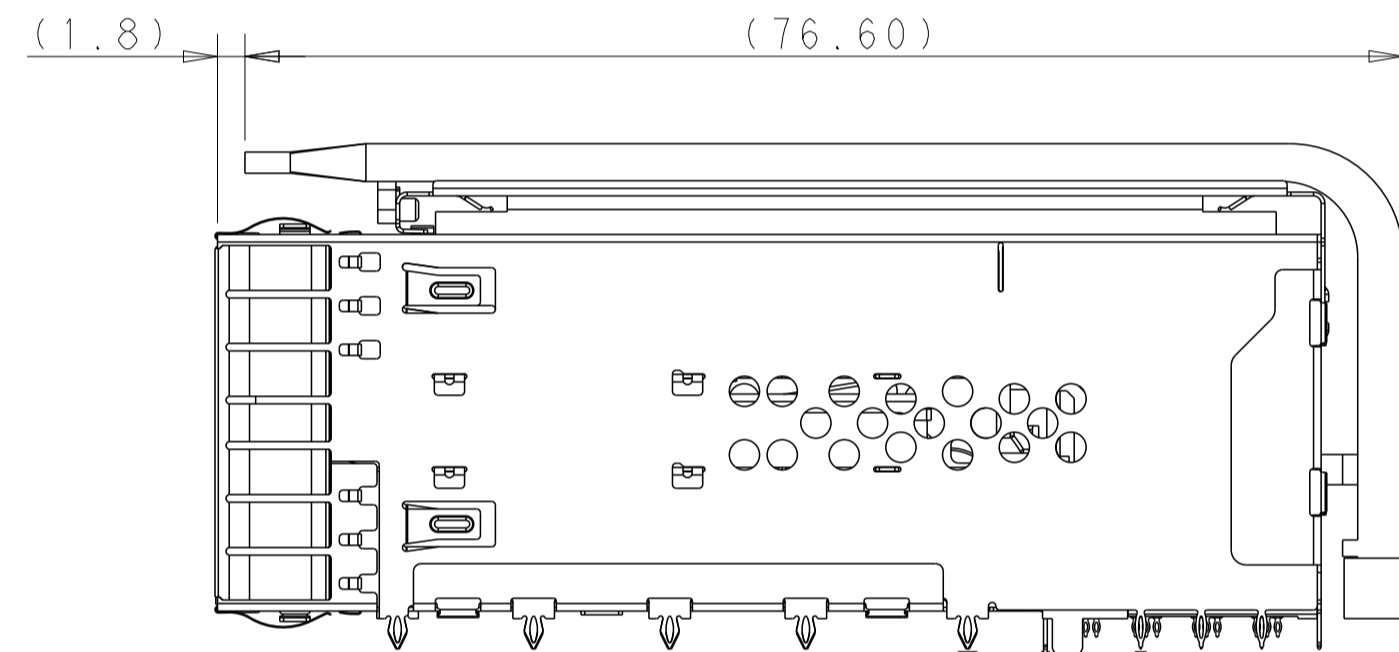
SCALE 2:1



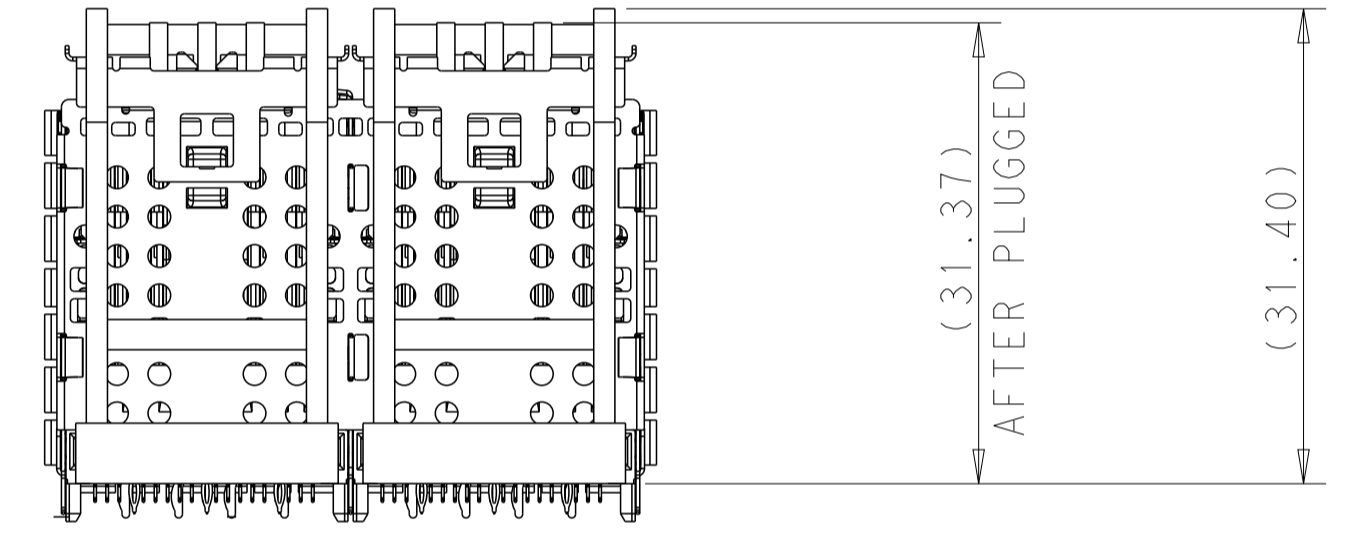
(30.47)



2-2299870-3
SCALE 2:1

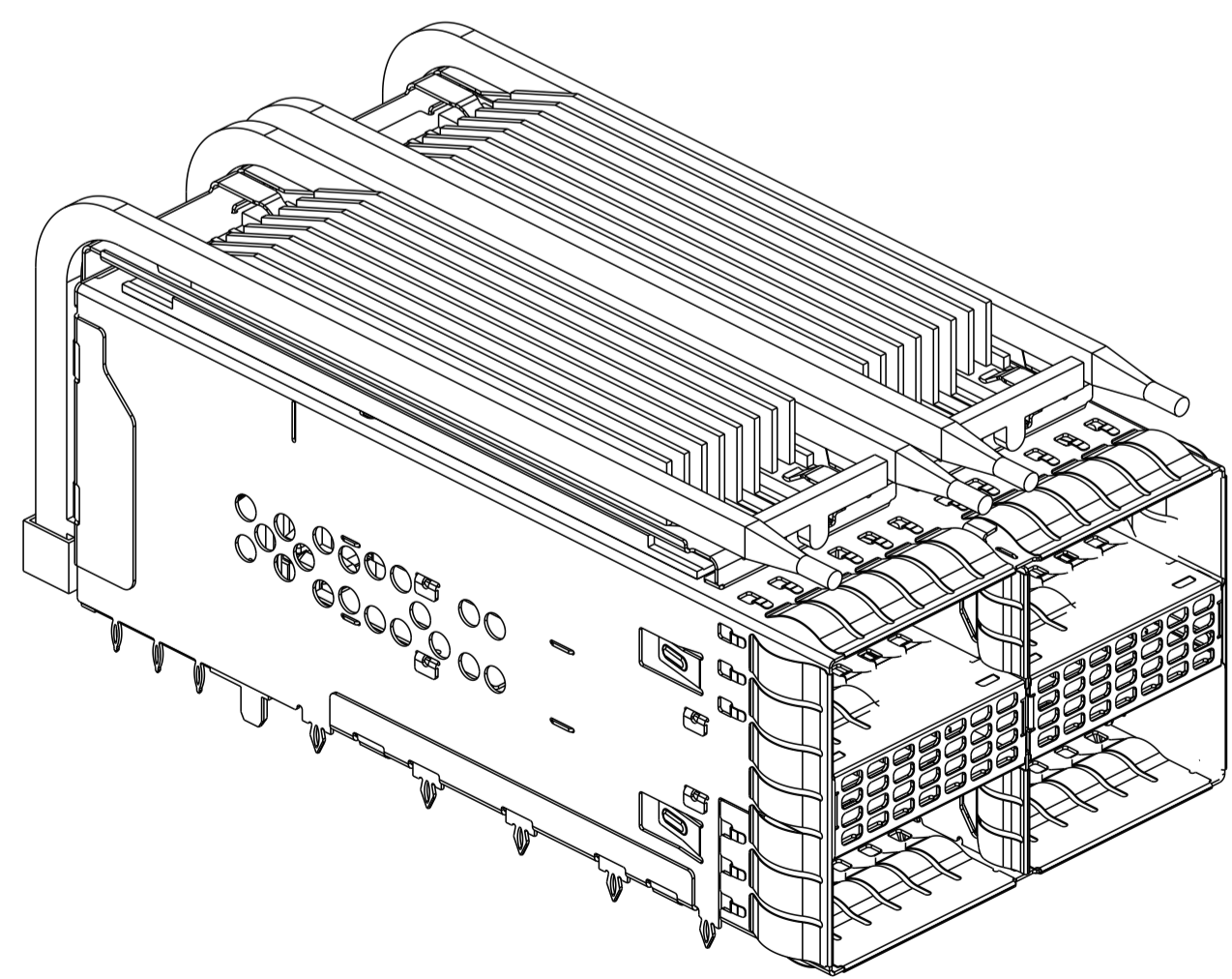


SCALE 2:1

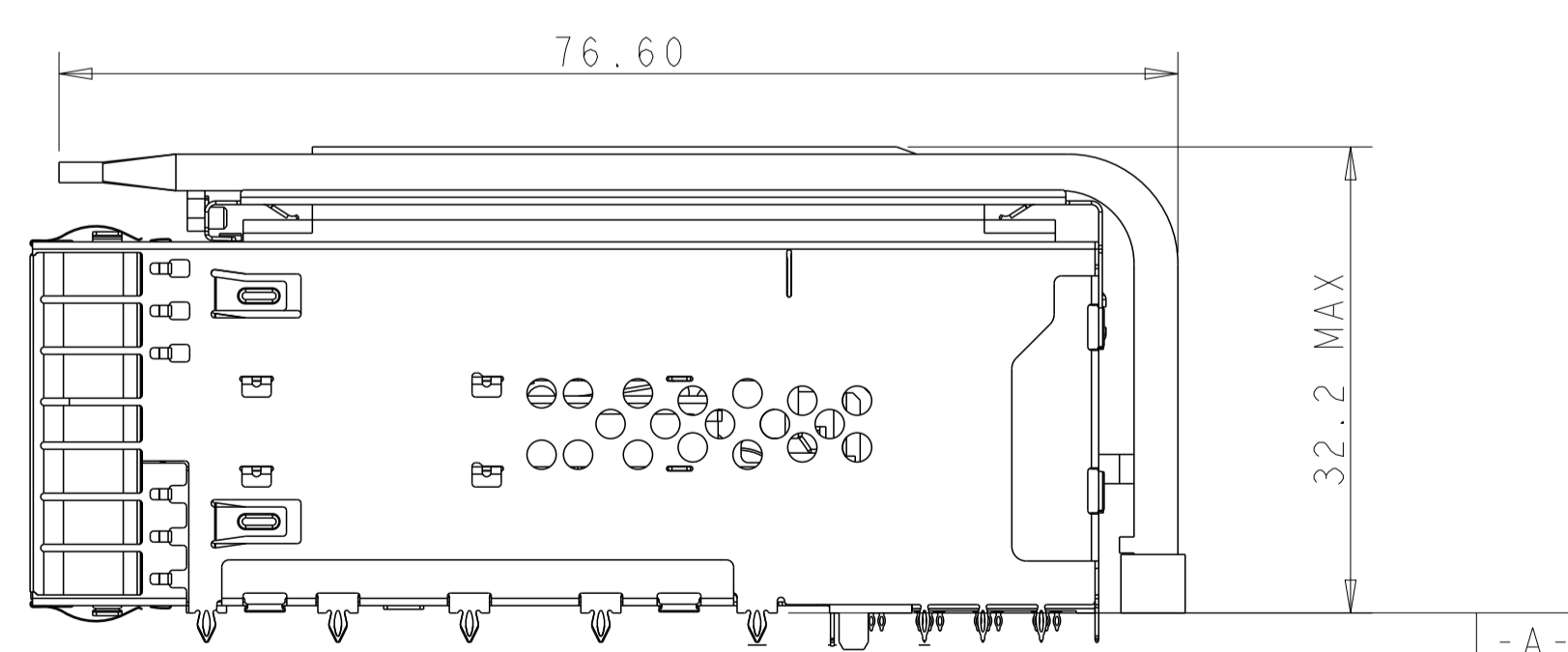


(31.37)
AFTER PLUGGED

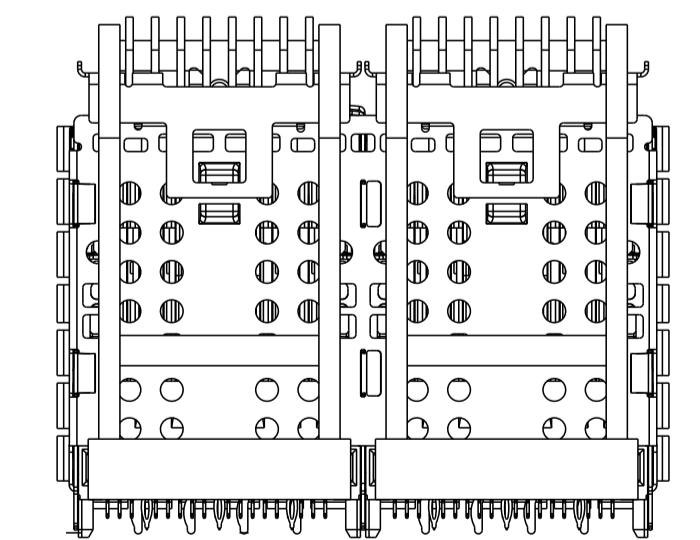
(31.40)



1-2299870-9
SCALE 2:1



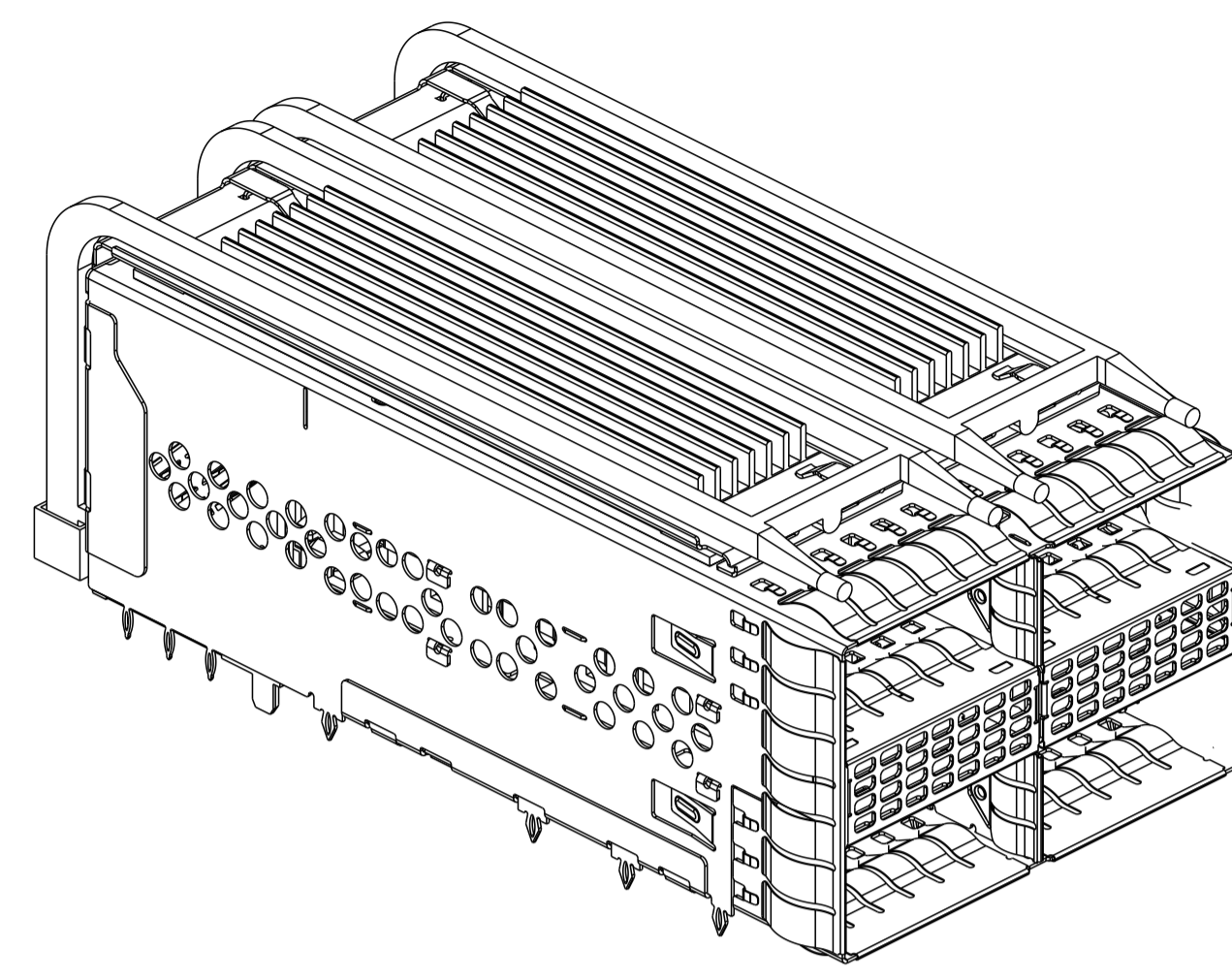
- A -



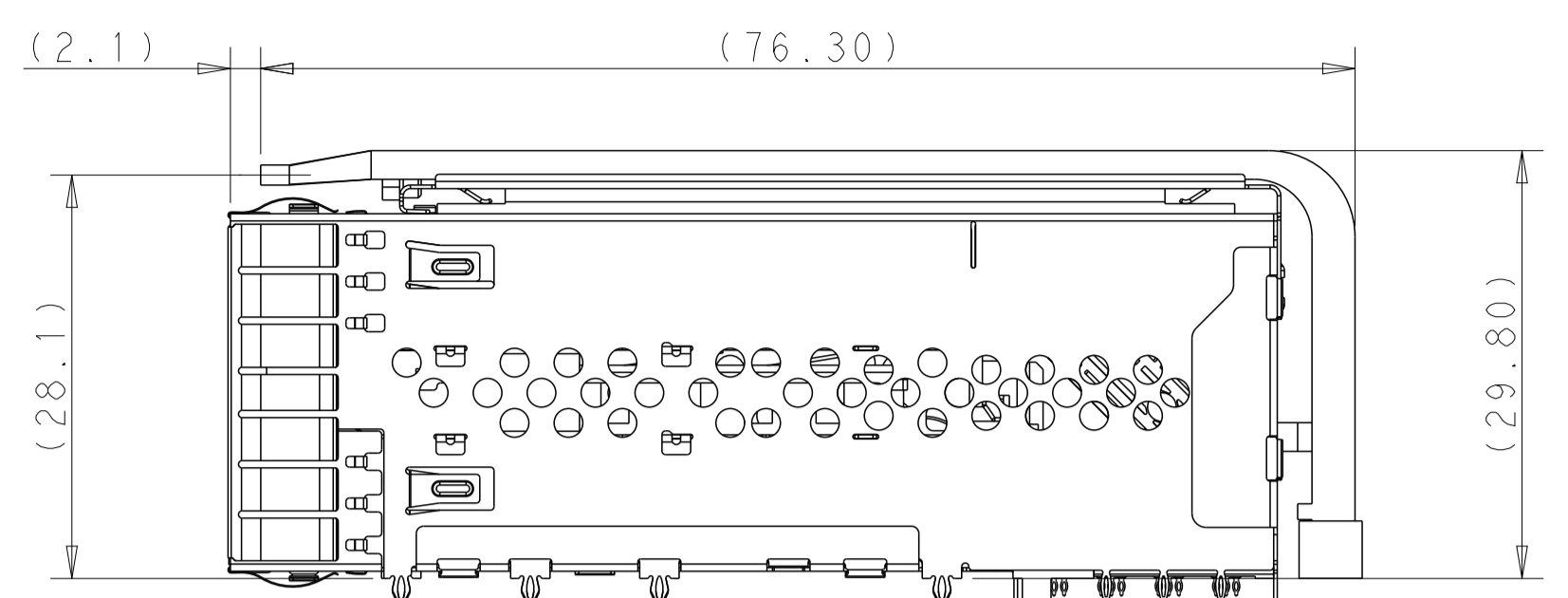
1-2299870-9
SCALE 2:1

THIS DRAWING IS A CONTROLLED DOCUMENT.		OWN TIM XUE 28JAN2016	TE Connectivity
DIMENSIONS:		CHK SEAN HAN 28JAN2016	
mm	TOLERANCES UNLESS OTHERWISE SPECIFIED:	APVD SEAN HAN 28JAN2016	NAME
0 PLC ±	1 PLC ±0.25	PRODUCT SPEC	CAGE AND CONNECTOR ASSEMBLY WITH
2 PLC ±0.15	3 PLC ±	108-60102	EMI SPRING FINGERS, THRU-BEZEL,
4 PLC ±	ANGLES ±	APPLICATION SPEC	2X2 ZQSFP+ STACKED WITH HS
MATERIAL	FINISH	114-60015	SIZE
SEE NOTE 1	SEE NOTE 2	WEIGHT	CAGE CODE
		114-60015	DRAWING NO
			A100779
		CUSTOMER DRAWING	©=2299870
		SCALE	RESTRICTED TO
		1:1	SHEET 6 OF 16
			REV K5

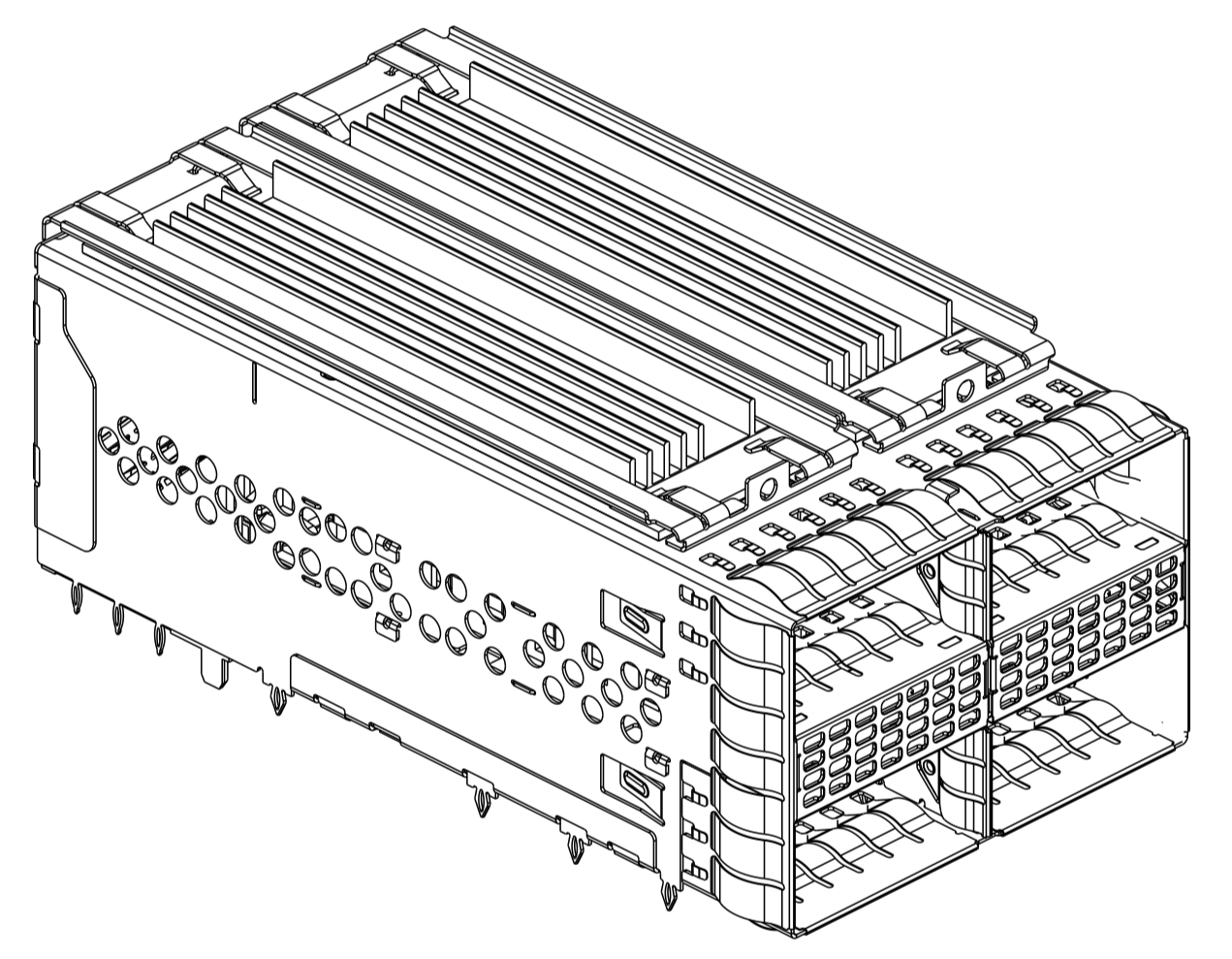
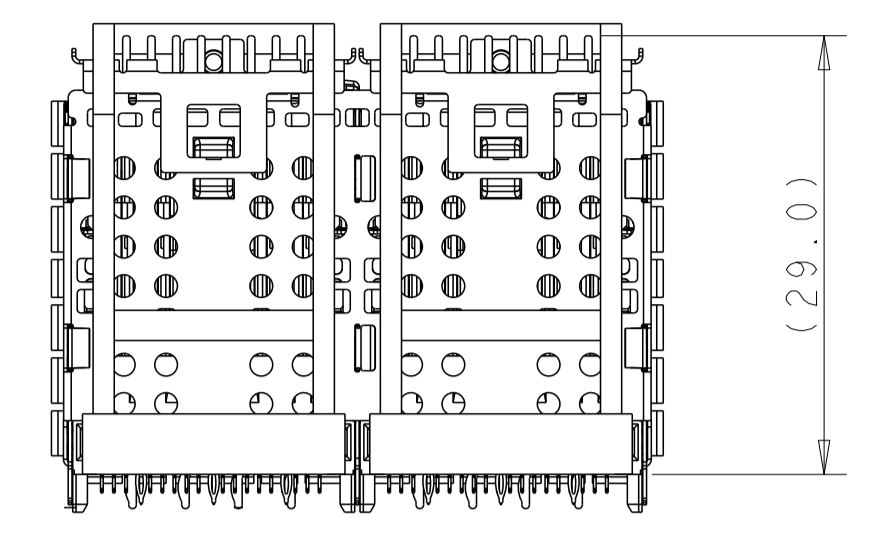
LOC		DIST		REVISIONS				
P	LYR	DATE	OWN	APVD	DESCRIPTION	DATE	OWN	APVD
-	-	-	-	-	SEE SHEET 1	-	-	-



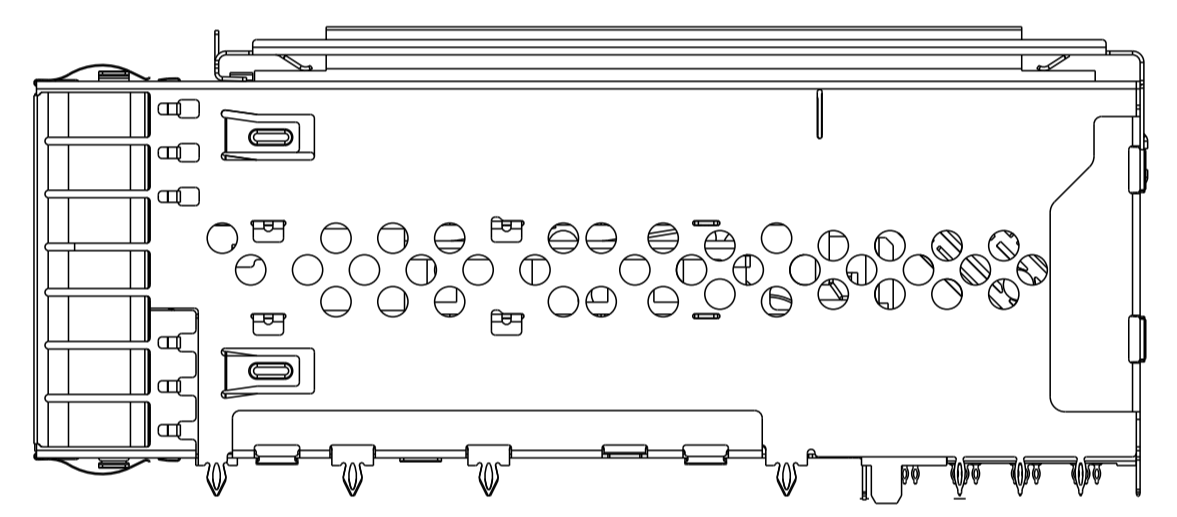
3-2299870-0
SCALE 2:1



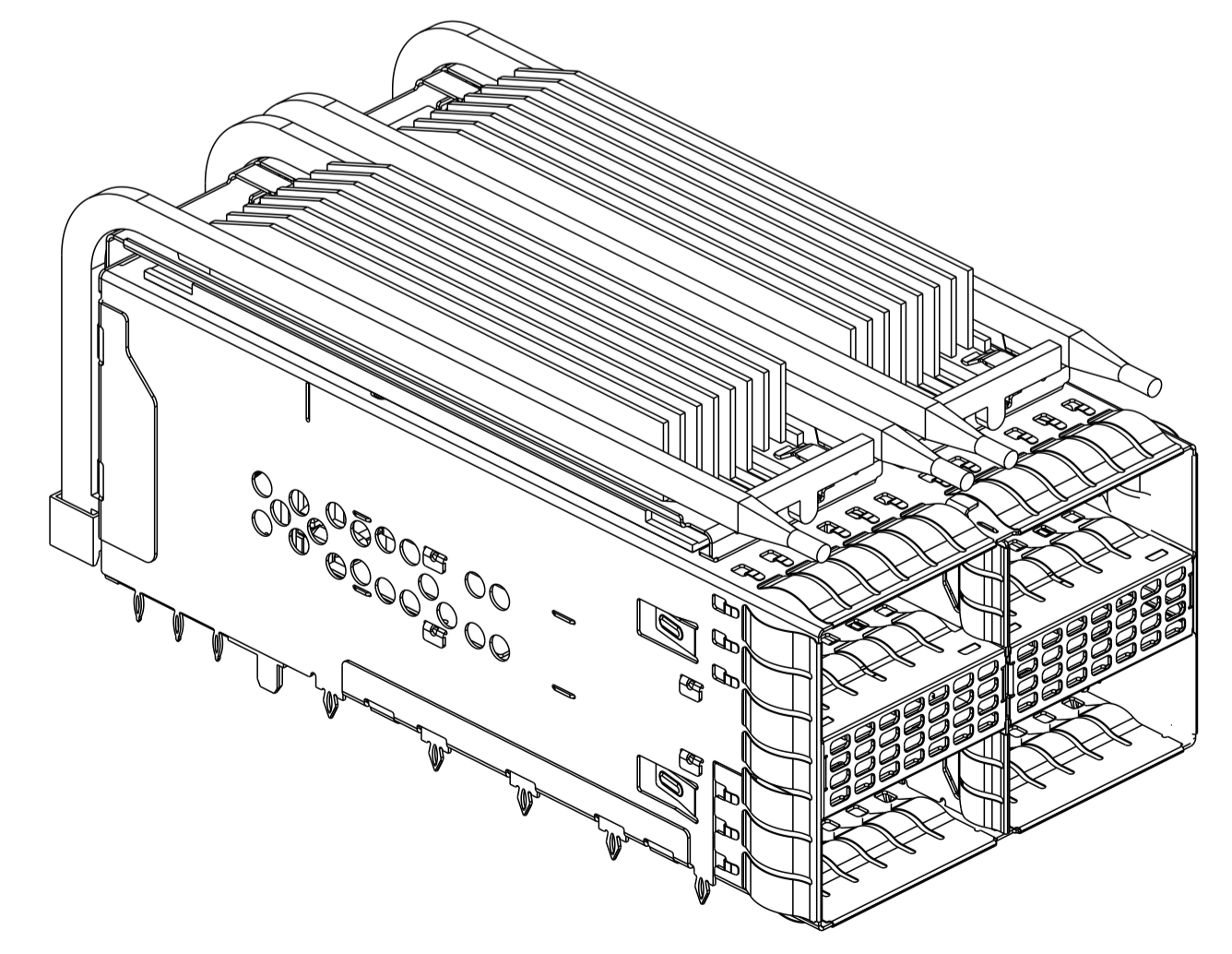
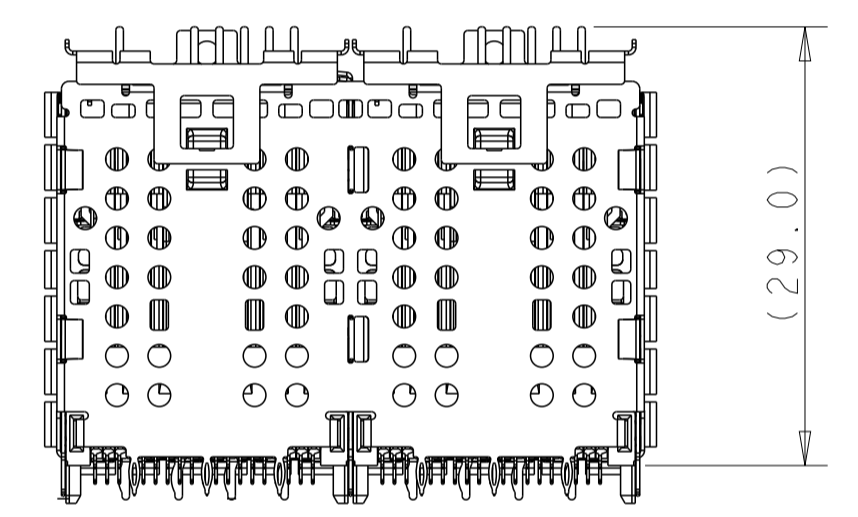
SCALE 2:1



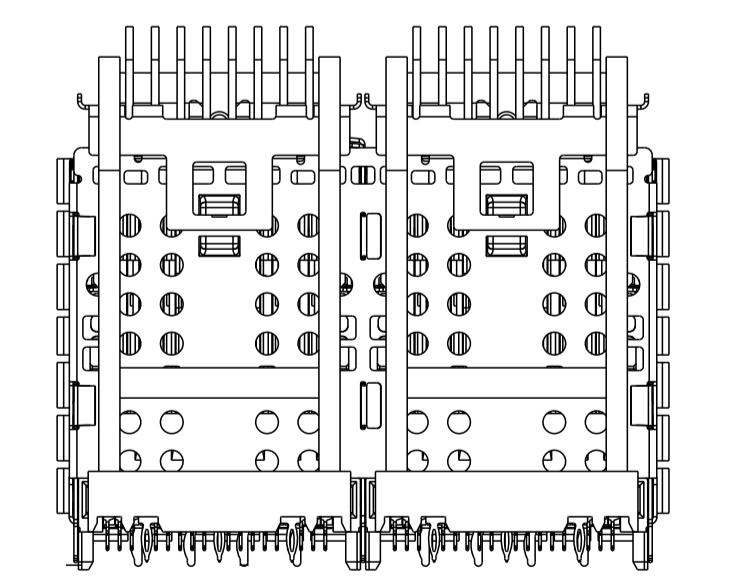
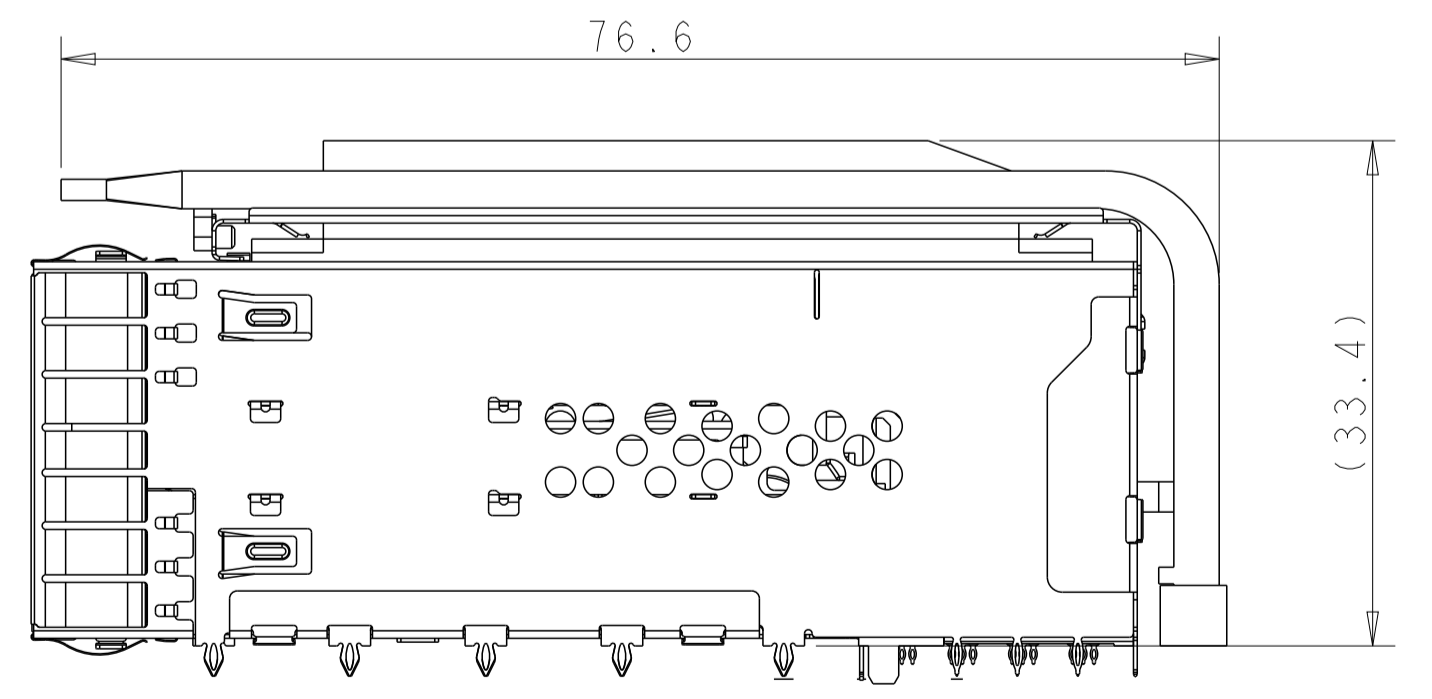
3-2299870-1
SCALE 2:1



SCALE 2:1



3-2299870-8
SCALE 2:1

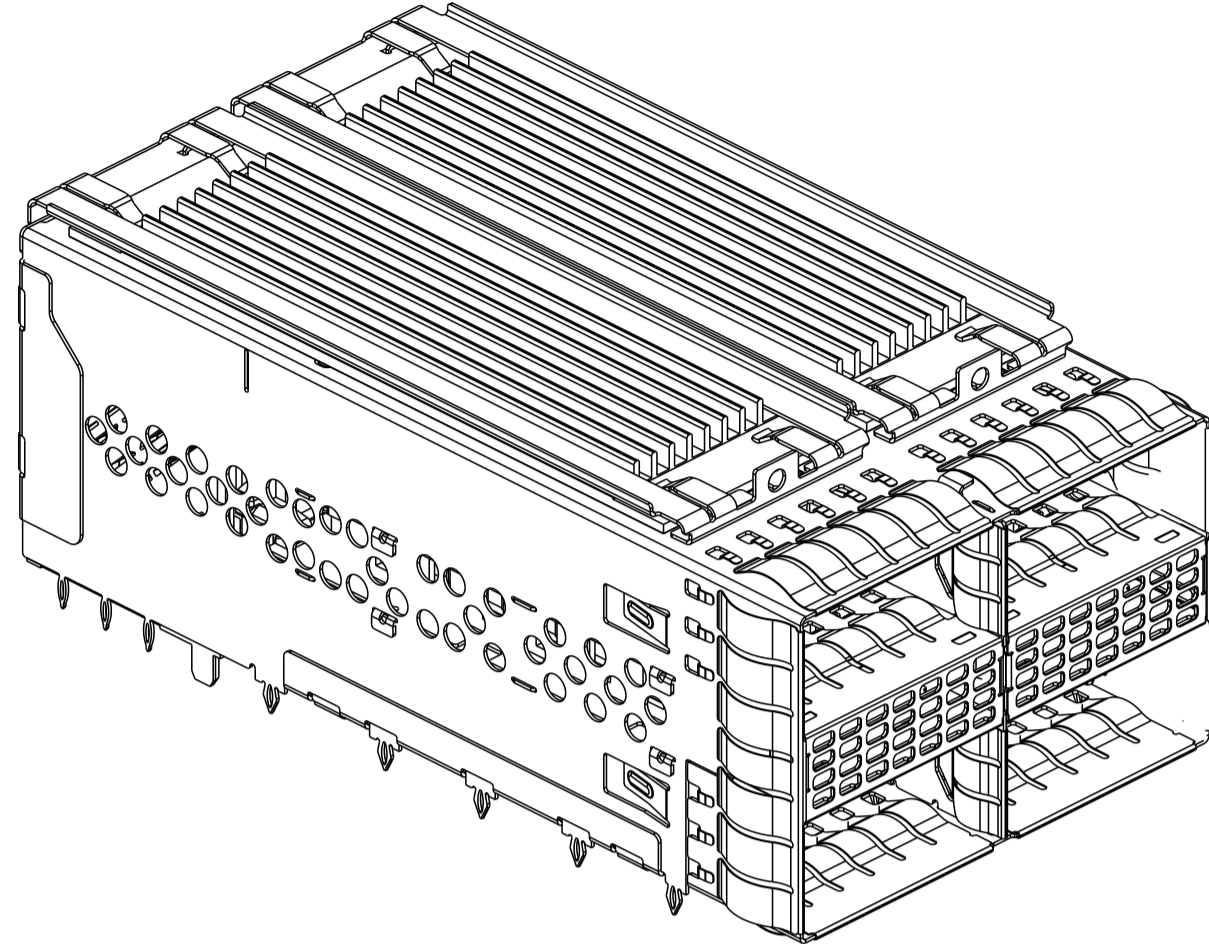


3-2299870-8
SCALE 2:1

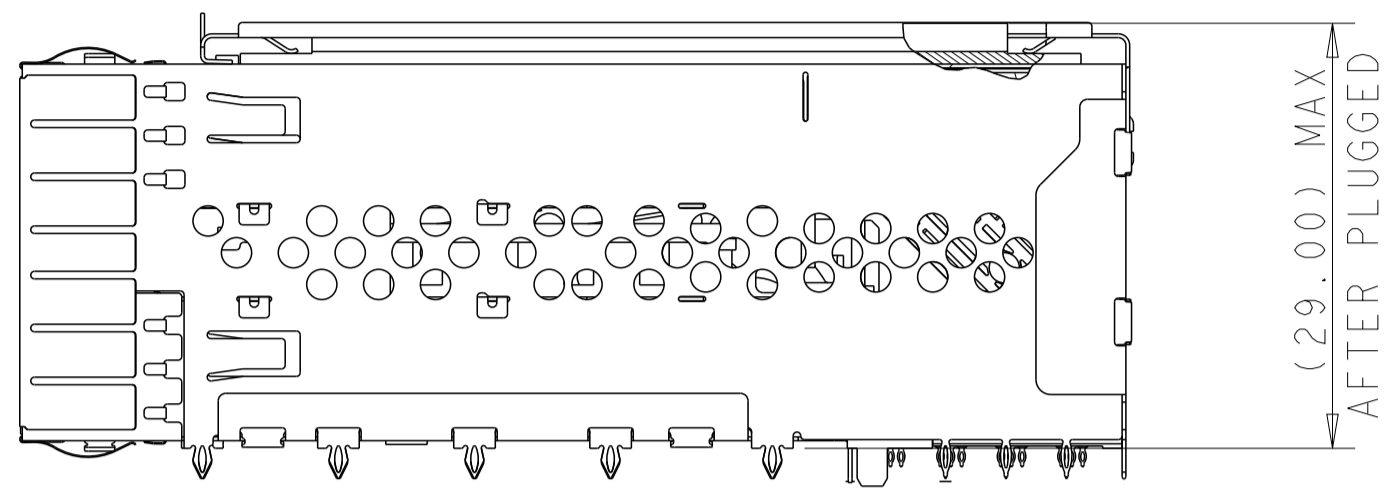
THIS DRAWING IS A CONTROLLED DOCUMENT.		OWN TIM XUE 28JAN2016	
DIMENSIONS:		CHK SEAN HAN 28JAN2016	
mm	TOLERANCES UNLESS OTHERWISE SPECIFIED:	APVD SEAN HAN 28JAN2016	NAME
0 PLC ±	1 PLC ±0.25	PRODUCT SPEC	CAGE AND CONNECTOR ASSEMBLY WITH
2 PLC ±0.15	3 PLC ±	108-60102	EMI SPRING FINGERS, THRU-BEZEL,
4 PLC ±	ANGLES ±	APPLICATION SPEC	2X2 ZOSFP+ STACKED WITH HS
MATERIAL	FINISH	114-60015	SIZE
SEE NOTE 1	SEE NOTE 2	WEIGHT	CAGE CODE
		114-60015	DRAWING NO
		A100779	RESTRICTED TO
		C=2299870	SCALE
		CUSTOMER DRAWING	1:1
			SHEET 7 OF 16
			REV K5

THIS DRAWING IS UNPUBLISHED. RELEASED FOR PUBLICATION 20
 © COPYRIGHT 20 BY TYCO ELECTRONICS CORPORATION ALL RIGHTS RESERVED.

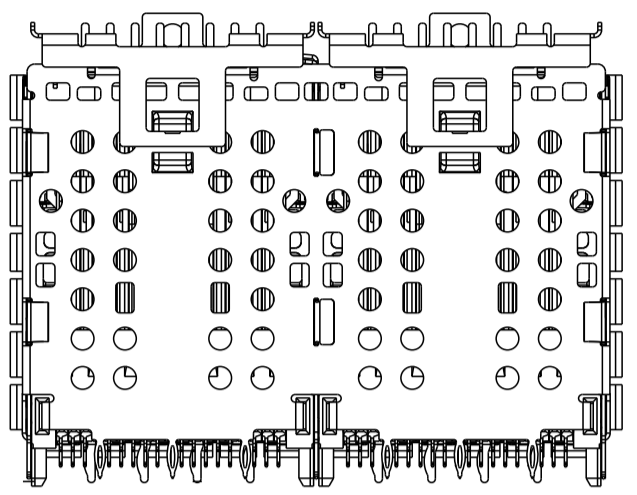
LOC	DIST	REVISIONS					
GP	00	P	LTN	DESCRIPTION	DATE	OWN	APVD
		-		SEE SHEET 1			



2-2299870-4
SCALE 2:1

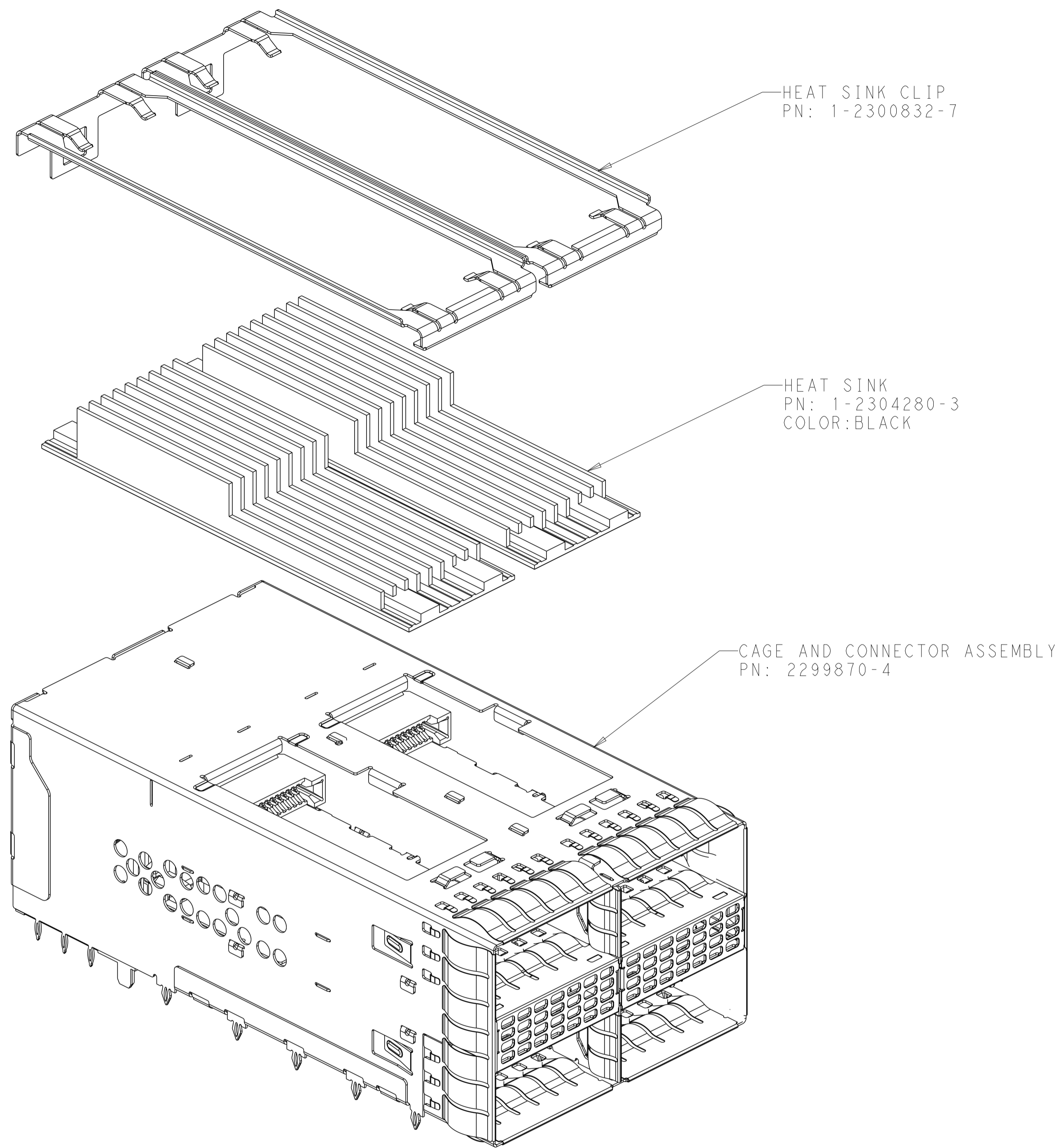


SECTION U-U
SCALE 2:1

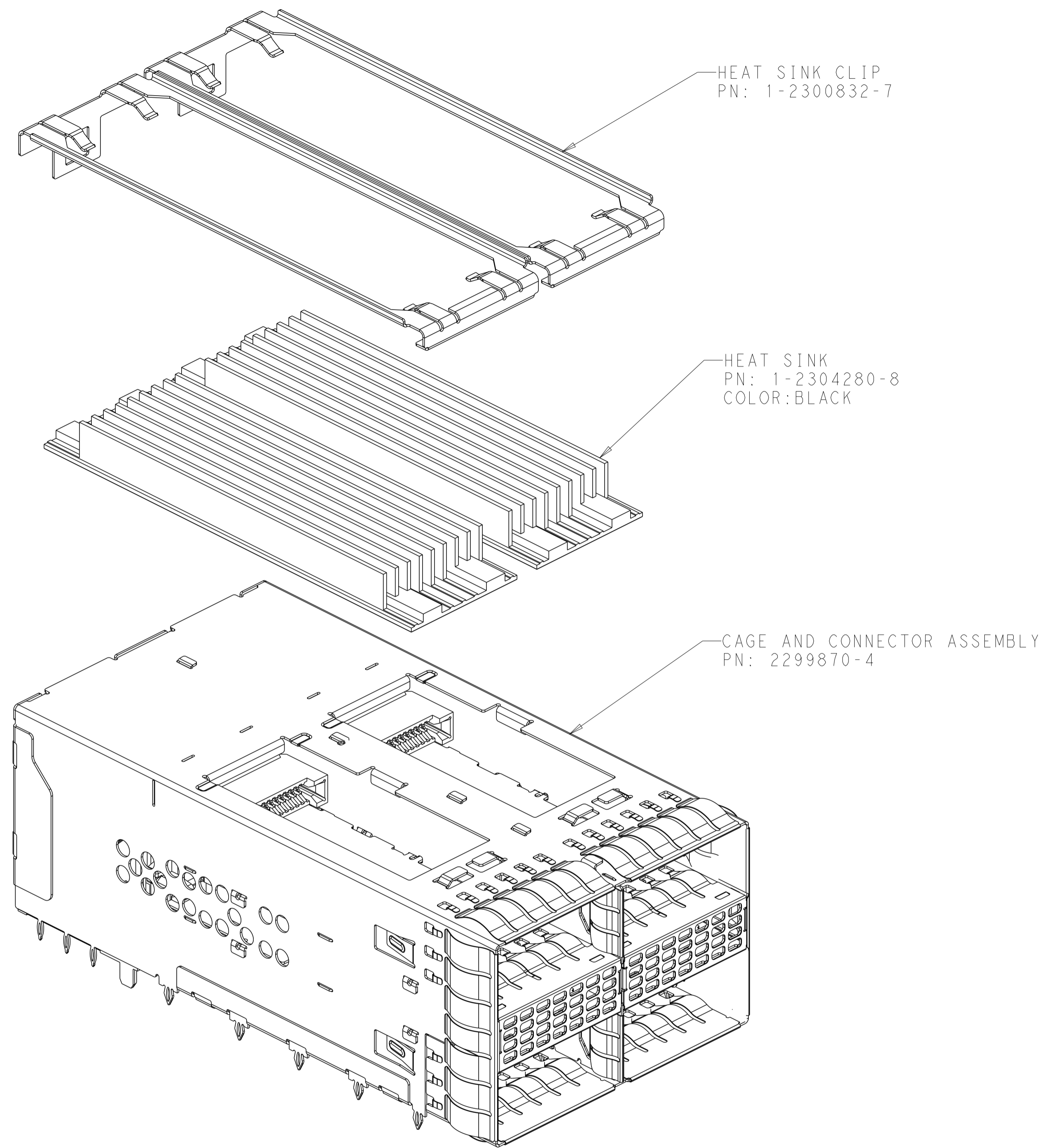


THIS DRAWING IS A CONTROLLED DOCUMENT.		OWN TIM XUE 28JAN2016	
DIMENSIONS:		CHK SEAN HAN 28JAN2016	
mm	TOLERANCES UNLESS OTHERWISE SPECIFIED:	APVD SEAN HAN 28JAN2016	NAME
0 PLC ±	1 PLC ±0.25	PRODUCT SPEC	CAGE AND CONNECTOR ASSEMBLY WITH
2 PLC ±0.15	3 PLC ±	APPLICATION SPEC	EMI SPRING FINGERS, THRU BEZEL,
4 PLC ±	ANGLES ±	SIZE	2X2 ZQSFP+ STACKED WITH HS
FINISH	FINISH	114-60015	RESTRICTED TO
MATERIAL	SEE NOTE 1	WEIGHT	A100779C=2299870
SEE NOTE 2	CUSTOMER DRAWING	SCALE	1:1 SHEET 8 OF 16 REV K5

LOC	DIST	REVISIONS			
P	LTN	DESCRIPTION	DATE	DMN	APVD
-	-	SEE SHEET 1	-	-	-



2299870-3 AS SHOWN, KIT PACKAGE
 SCALE 3:1



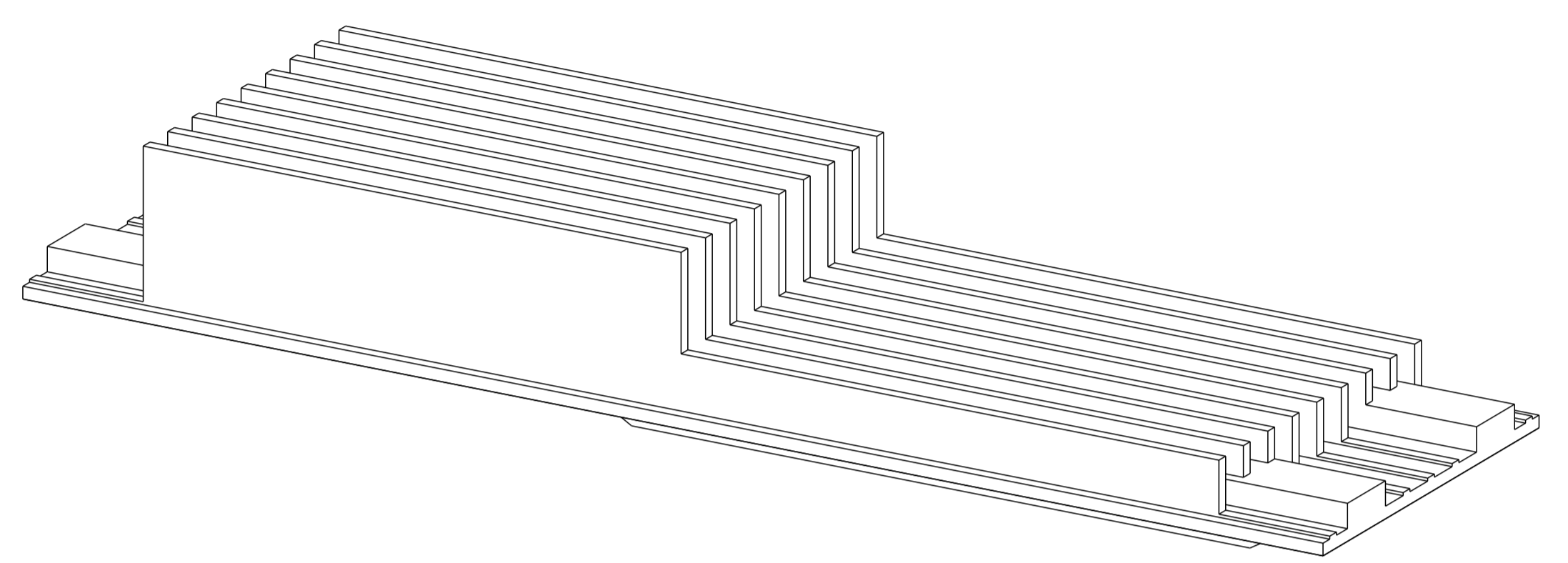
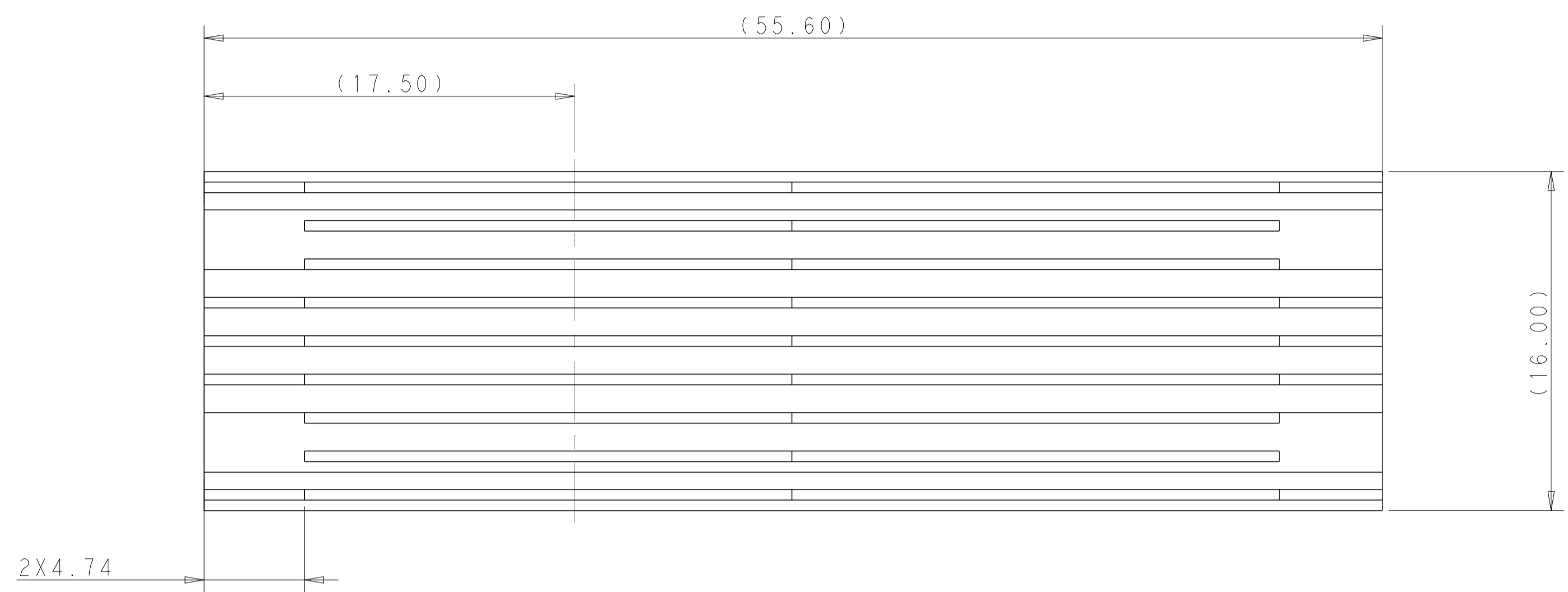
1-2299870-3 AS SHOWN, KIT PACKAGE
 SCALE 3:1

2	2	1-2300832-7	HEAT SINK CLIP	3
2	-	1-2304280-8	HEAT SINK	2
-	2	1-2304280-3		
1	1	2299870-4	CAGE AND CONNECTOR ASSEMBLY	1
1-2299870-3	2299870-3	PART NUMBER	DESCRIPTION	ITEM

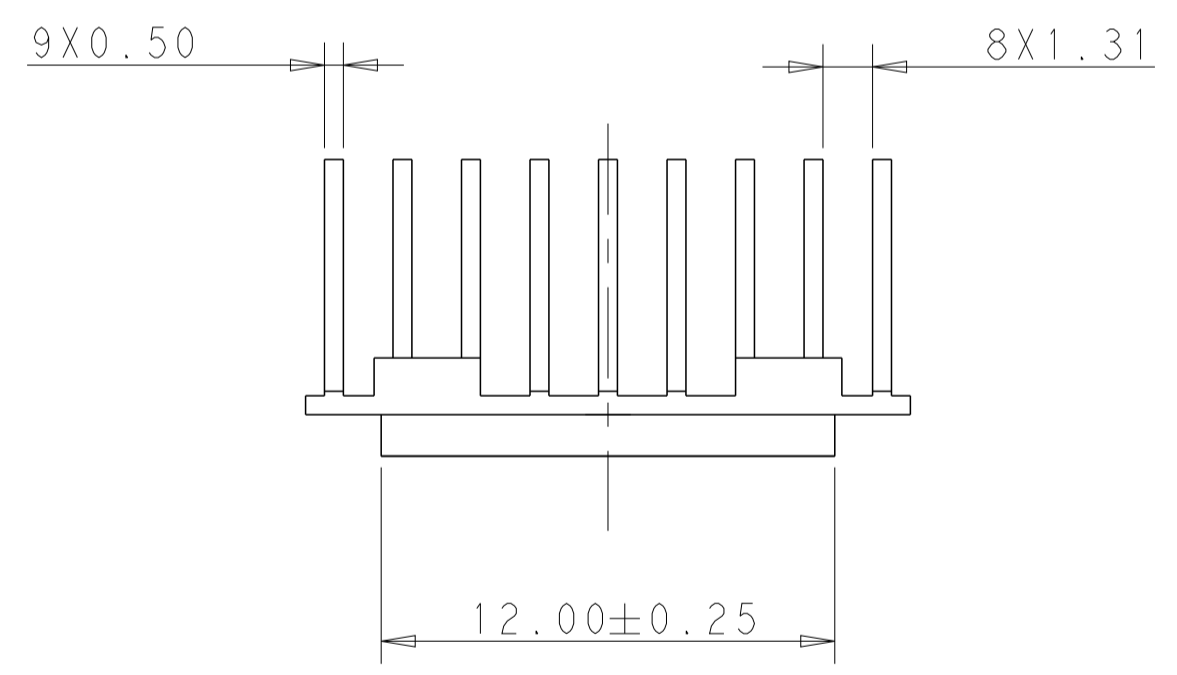
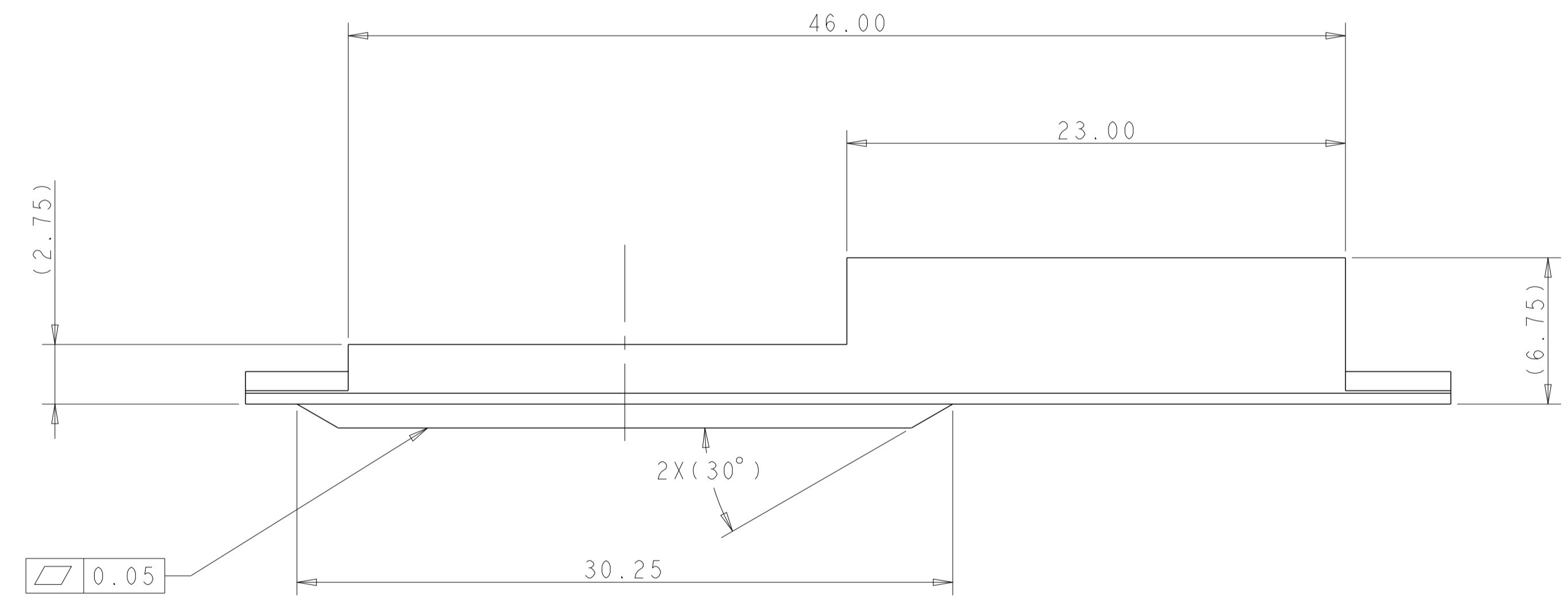
THIS DRAWING IS A CONTROLLED DOCUMENT.


DIMENSIONS:	TOLERANCES UNLESS OTHERWISE SPECIFIED:	DMN TIM XUE 28JAN2016	NAME STE TE Connectivity
mm	0 PLC ± 1 PLC ±0.25 2 PLC ±0.15 3 PLC ± 4 PLC ± ANGLES ±	CHK SEAN HAN 28JAN2016	APVD SEAN HAN 28JAN2016
MATERIAL	FINISH	PRODUCT SPEC 108-60102	APPLICATION SPEC 114-60015
SEE NOTE 1	SEE NOTE 2	WEIGHT	RESTRICTED TO
CUSTOMER DRAWING		SCALE 1:1	SHEET 9 OF 16 REV K5

LOC		DIST		REVISIONS			
P	LTN	DESCRIPTION	DATE	DMN	APVD		
-	-	SEE SHEET 1	-	-	-		

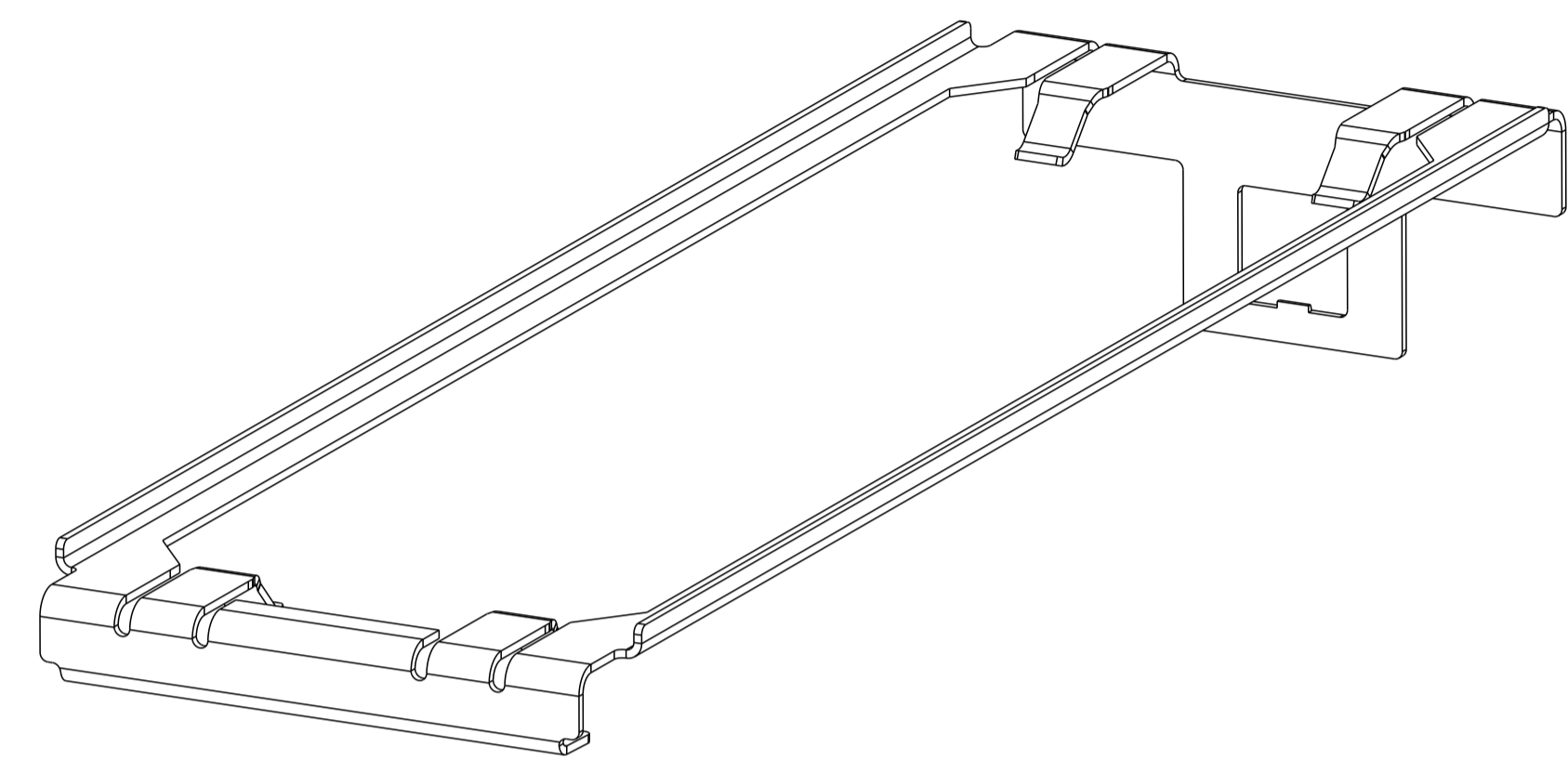


1-2304280-3 HEAT SINK SHOWN
 (THE COLOR IS BLACK)
 SCALE 5:1

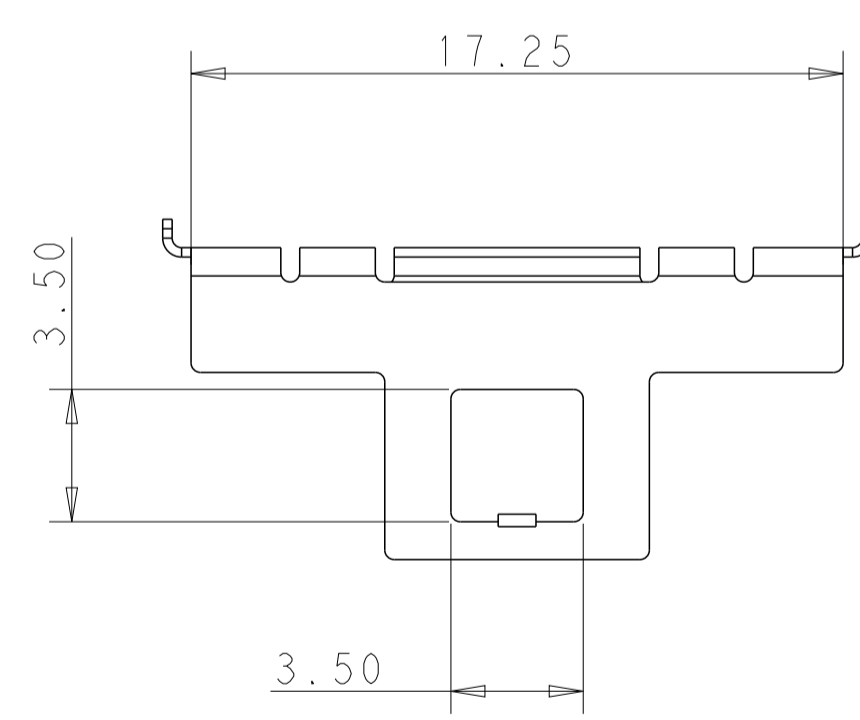
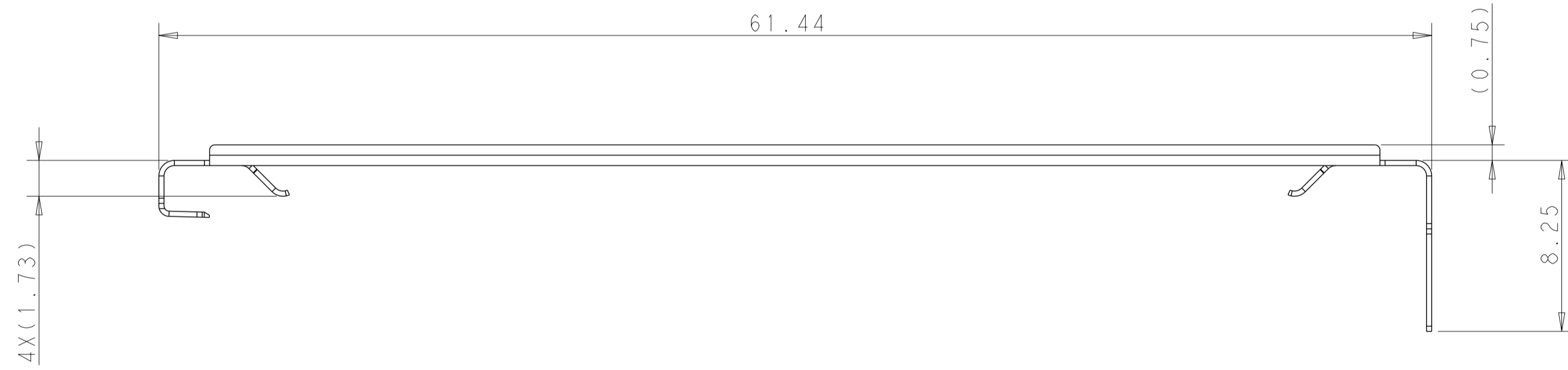


THIS DRAWING IS A CONTROLLED DOCUMENT.		DMN	TIM XUE	28JAN2016	 TE Connectivity
DIMENSIONS:		CHK	SEAN HAN	28JAN2016	
mm	TOLERANCES UNLESS OTHERWISE SPECIFIED:	APVD	SEAN HAN	28JAN2016	NAME
0 PLC	±	PRODUCT SPEC	CAGE AND CONNECTOR ASSEMBLY WITH		
1 PLC	±0.25	APPLICATION SPEC	EMI SPRING FINGERS, THRU BEZEL,		
2 PLC	±0.15	SIZE	2X2 ZQSFP+ STACKED WITH HS		
3 PLC	±	WEIGHT	-		
4 PLC	±	RESTRICTED TO	-		
ANGLES	±	SCALE	1:1		
FINISH	±	SHEET	10 OF 16		
MATERIAL	SEE NOTE 1	REV	K5		
	SEE NOTE 2	CUSTOMER DRAWING	A100779C=2299870		

LOC	DIST	REVISIONS			
P	LTN	DESCRIPTION	DATE	DMN	APVD
-	-	SEE SHEET 1	-	-	-

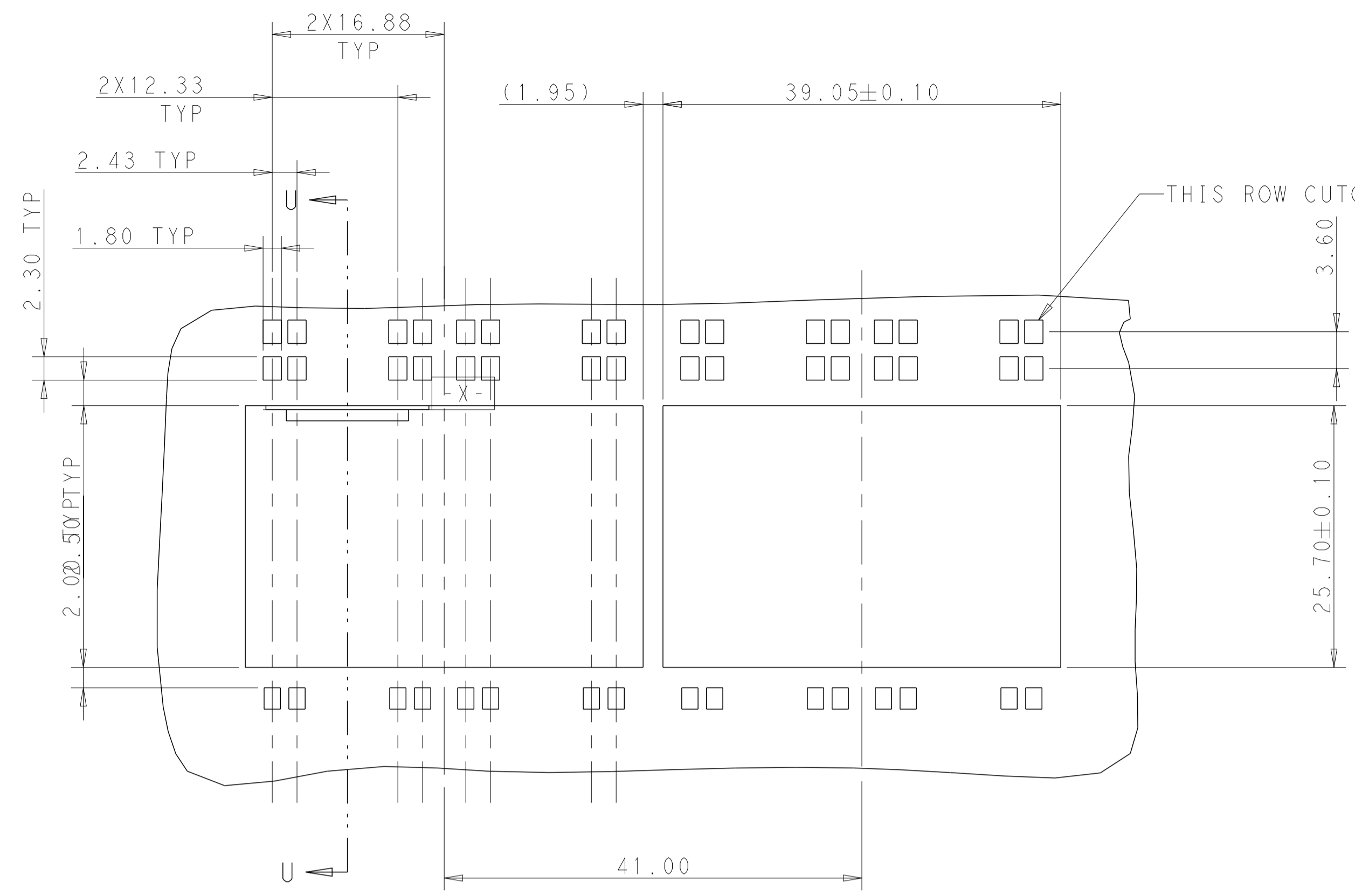


1-2300832-7, HEAT SINK CLIP
 SCALE 5:1

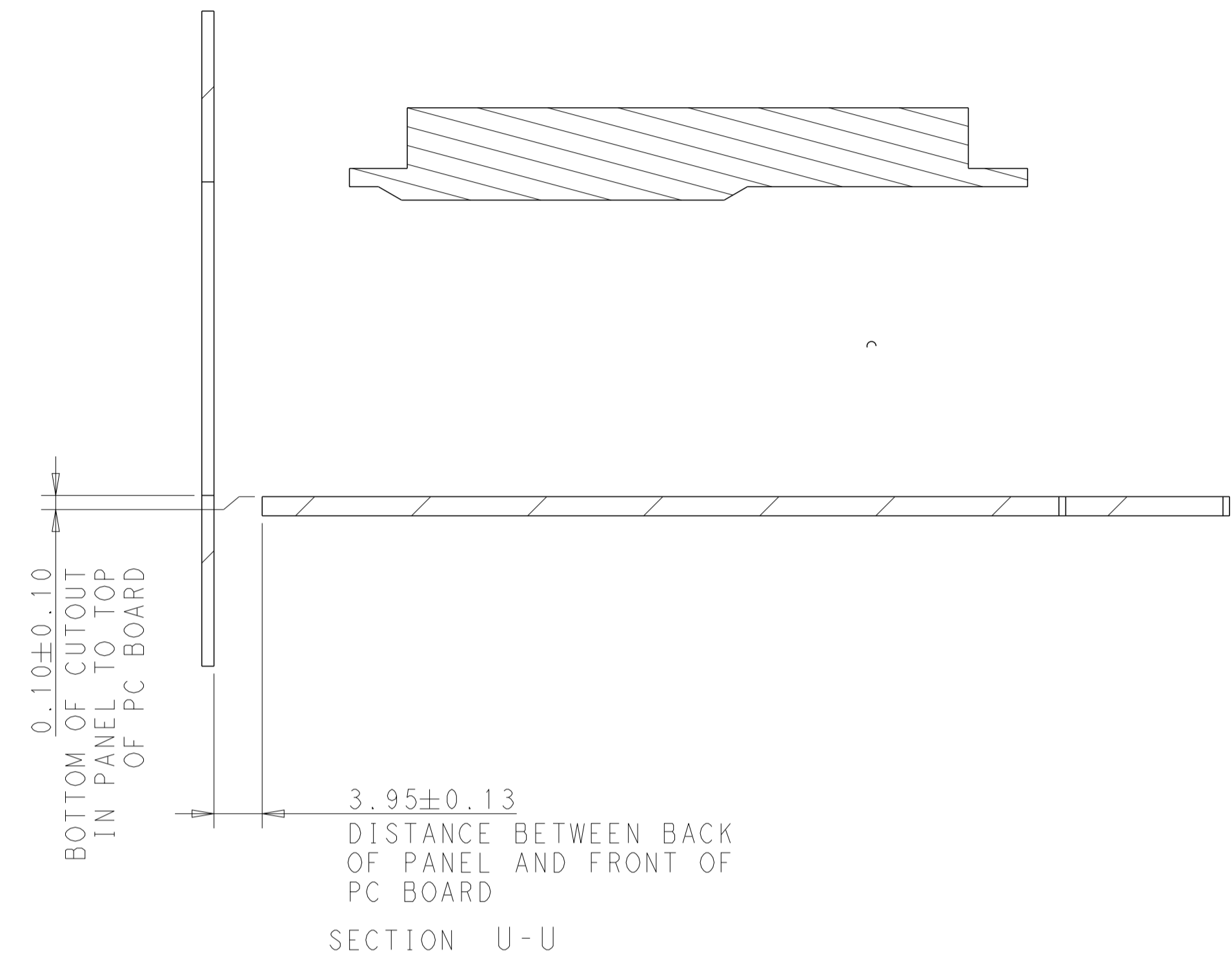


THIS DRAWING IS A CONTROLLED DOCUMENT.		DMN TIM XUE 28JAN2016	
DIMENSIONS: mm		CHK SEAN HAN 28JAN2016	
TOLERANCES UNLESS OTHERWISE SPECIFIED:		APVD SEAN HAN 28JAN2016	NAME CAGE AND CONNECTOR ASSEMBLY WITH EMI SPRING FINGERS, THRU BEZEL, 2X2 ZQSFP+ STACKED WITH HS
0 PLC ±	1 PLC ±0.25	PRODUCT SPEC	SIZE A100779
2 PLC ±0.15	3 PLC ±	APPLICATION SPEC	CAGE CODE C=2299870
4 PLC ±	ANGLES ±	FINISH ±	RESTRICTED TO CUSTOMER DRAWING
MATERIAL SEE NOTE 1	WEIGHT SEE NOTE 2	SCALE 1:1	SHEET 11 OF 16

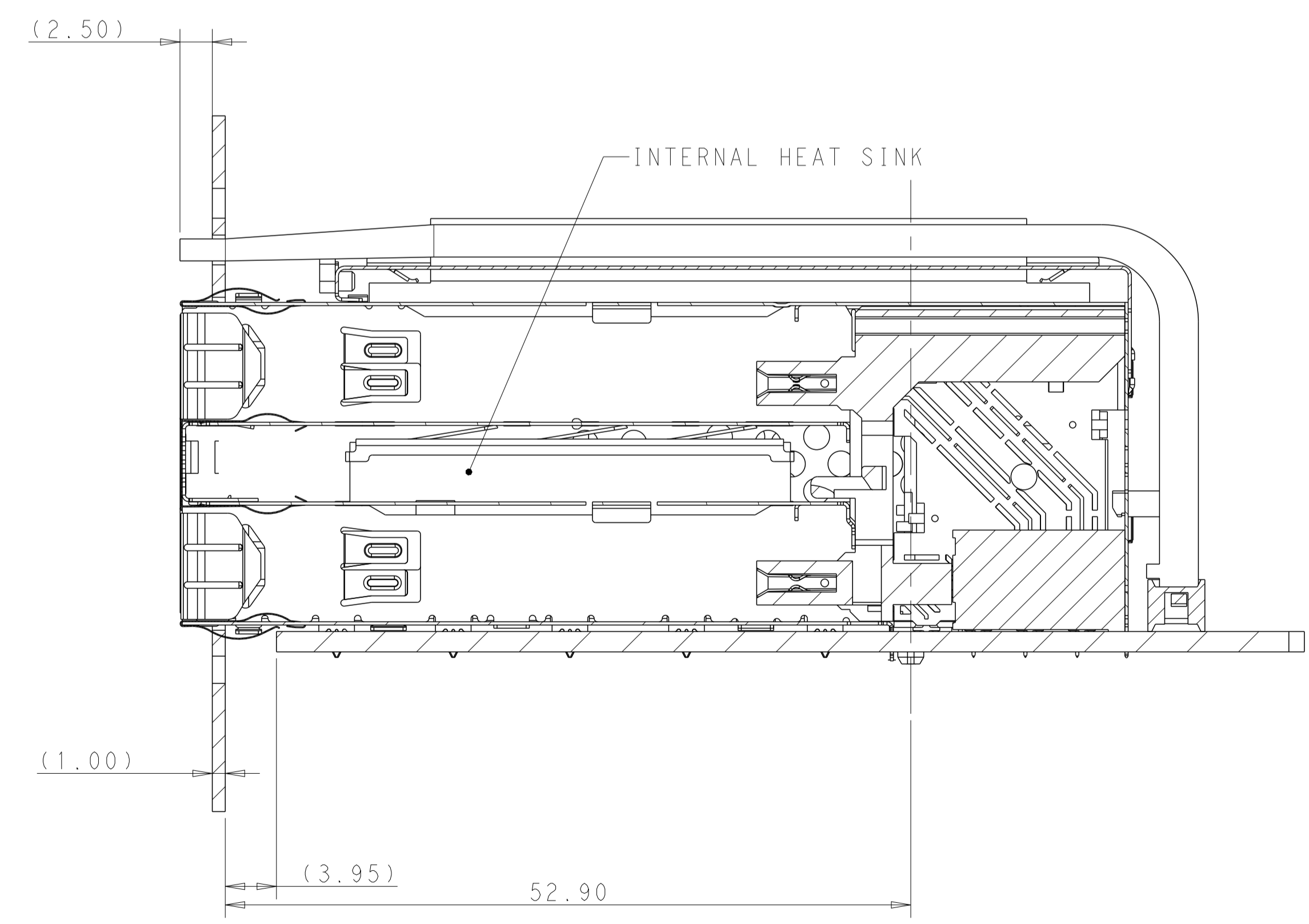
LOC	DIST	REVISIONS			
P	LTN	DESCRIPTION	DATE	DMN	APVD
GP	00	SEE SHEET 1			



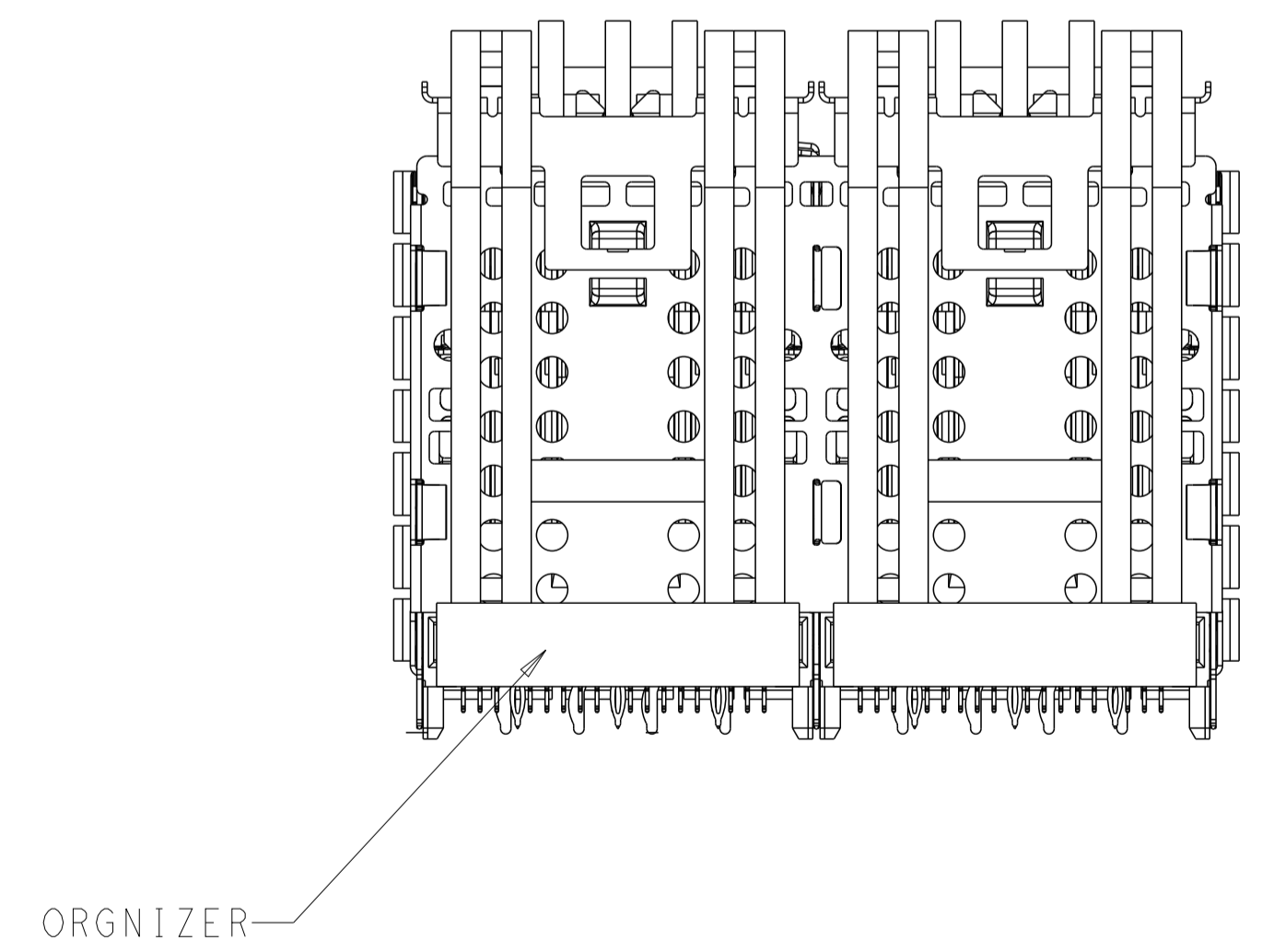
RECOMMENDED PANEL CUTOUT
 AND PC BOARD PANEL POSITION
 SCALE 5:2



SECTION U-U

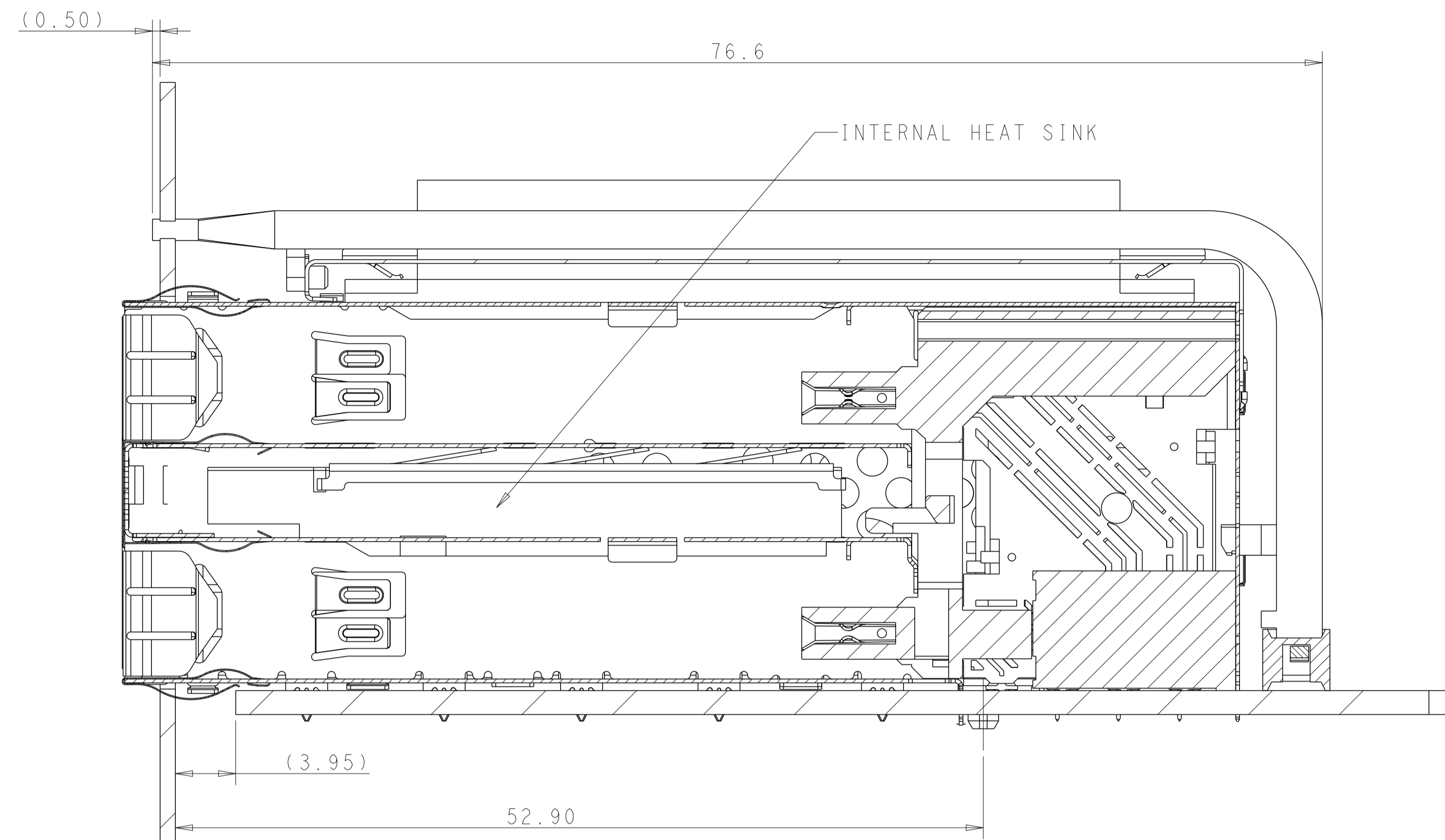


2299870-1 BEZEL LOCATION AS SHOWN
 SECTION V-V
 SCALE 3:1

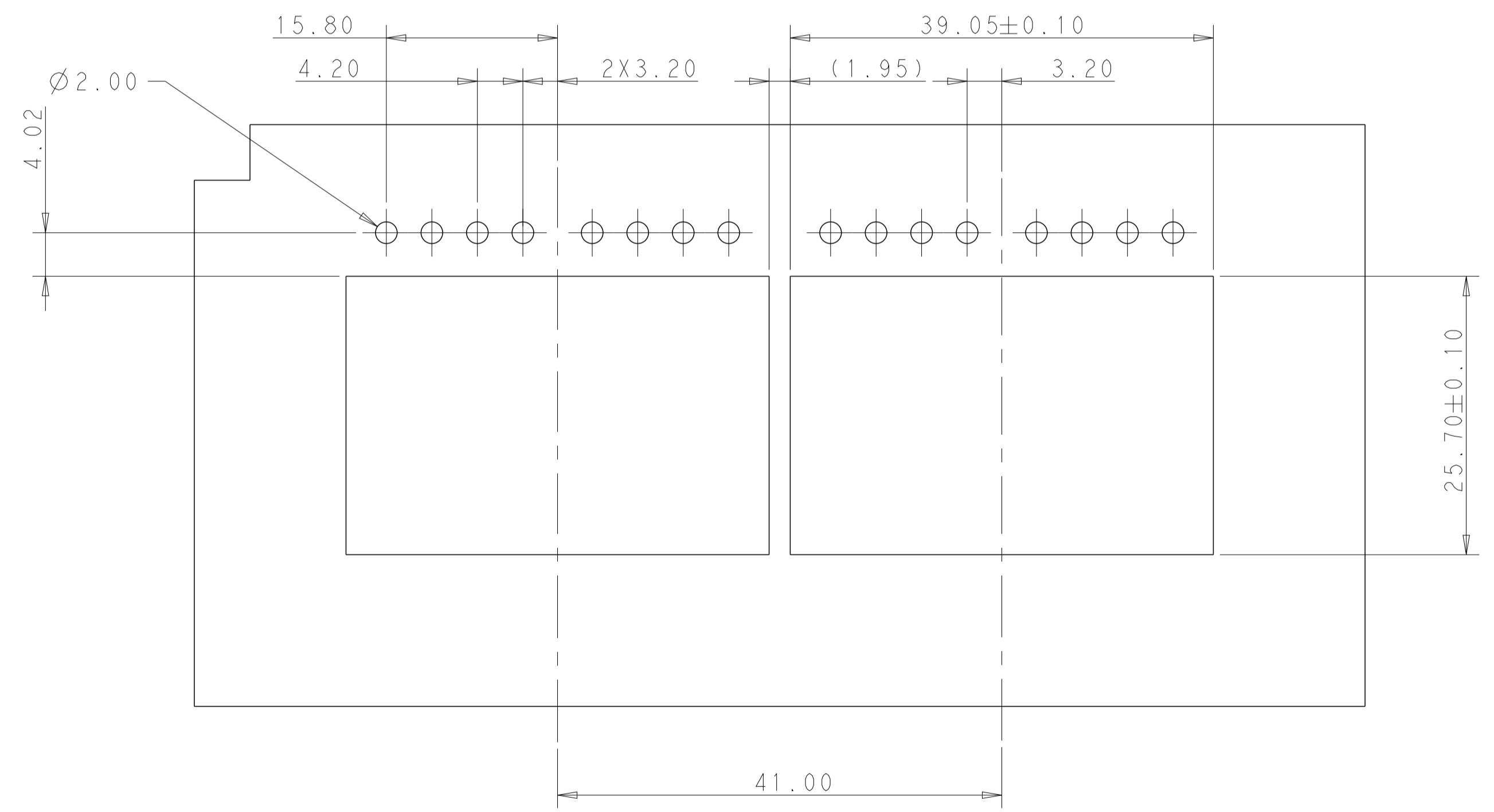


THIS DRAWING IS A CONTROLLED DOCUMENT.		DMN TIM XUE 28JAN2016	TE Connectivity
DIMENSIONS:		CHK SEAN HAN 28JAN2016	
mm	TOLERANCES UNLESS OTHERWISE SPECIFIED:	APVD SEAN HAN 28JAN2016	NAME CAGE AND CONNECTOR ASSEMBLY WITH EMI SPRING FINGERS, THRU BEZEL, 2X2 ZQSFP+ STACKED WITH HS
0 PLC	±	PRODUCT SPEC	108-60102
1 PLC	±0.25	APPLICATION SPEC	114-60015
2 PLC	±0.15	SIZE	A1
3 PLC	±	CAGE CODE	00779
4 PLC	±	DRAWING NO	2299870
ANGLES	±	RESTRICTED TO	
FINISH	±	WEIGHT	
MATERIAL	SEE NOTE 1	SEE NOTE 2	CUSTOMER DRAWING
SCALE 1:1		SHEET 12 OF 16	REV K5

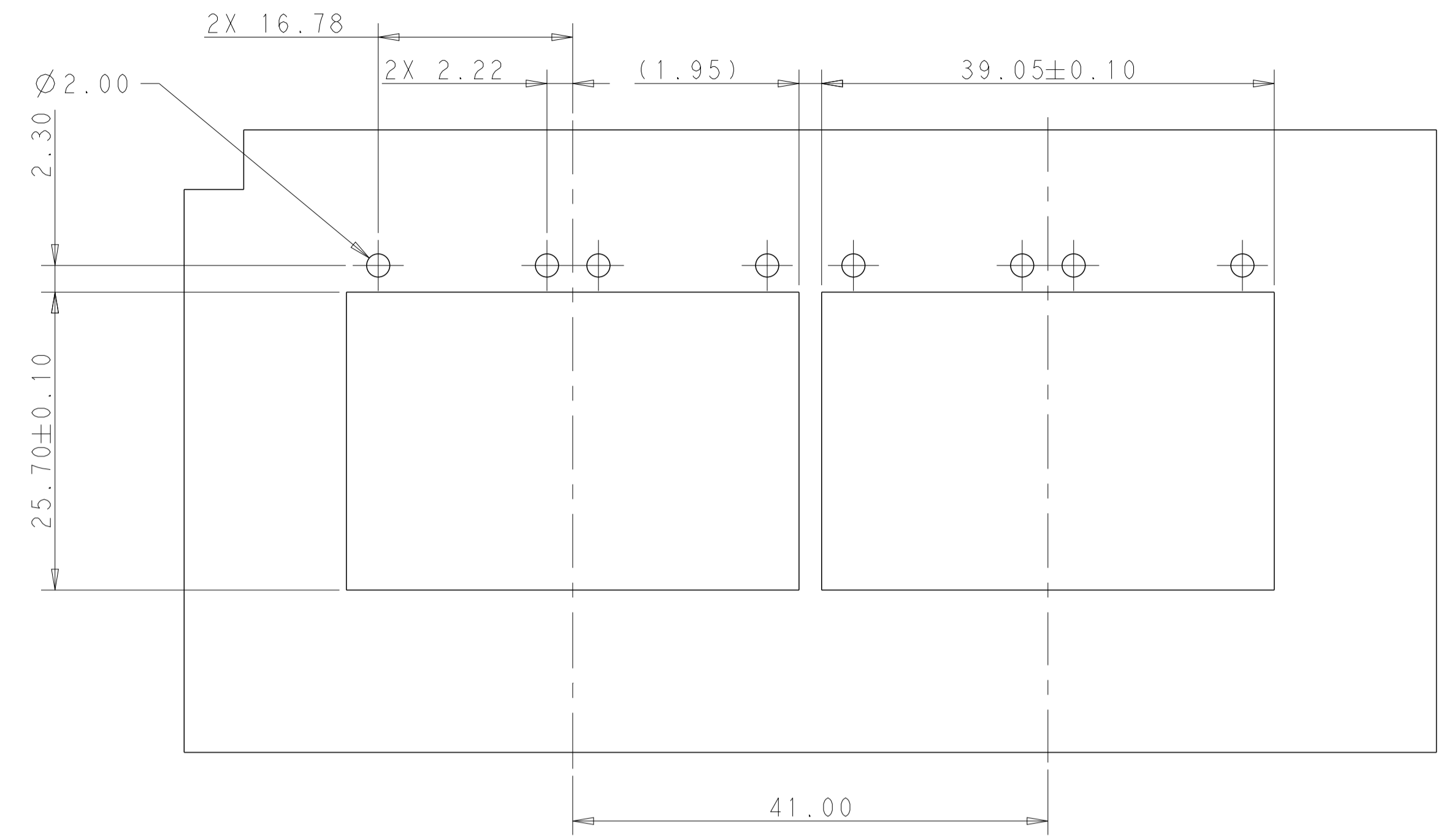
LOC	DIST	REVISIONS			
P	LTN	DESCRIPTION	DATE	OWN	APVD
-	-	SEE SHEET 1	-	-	-



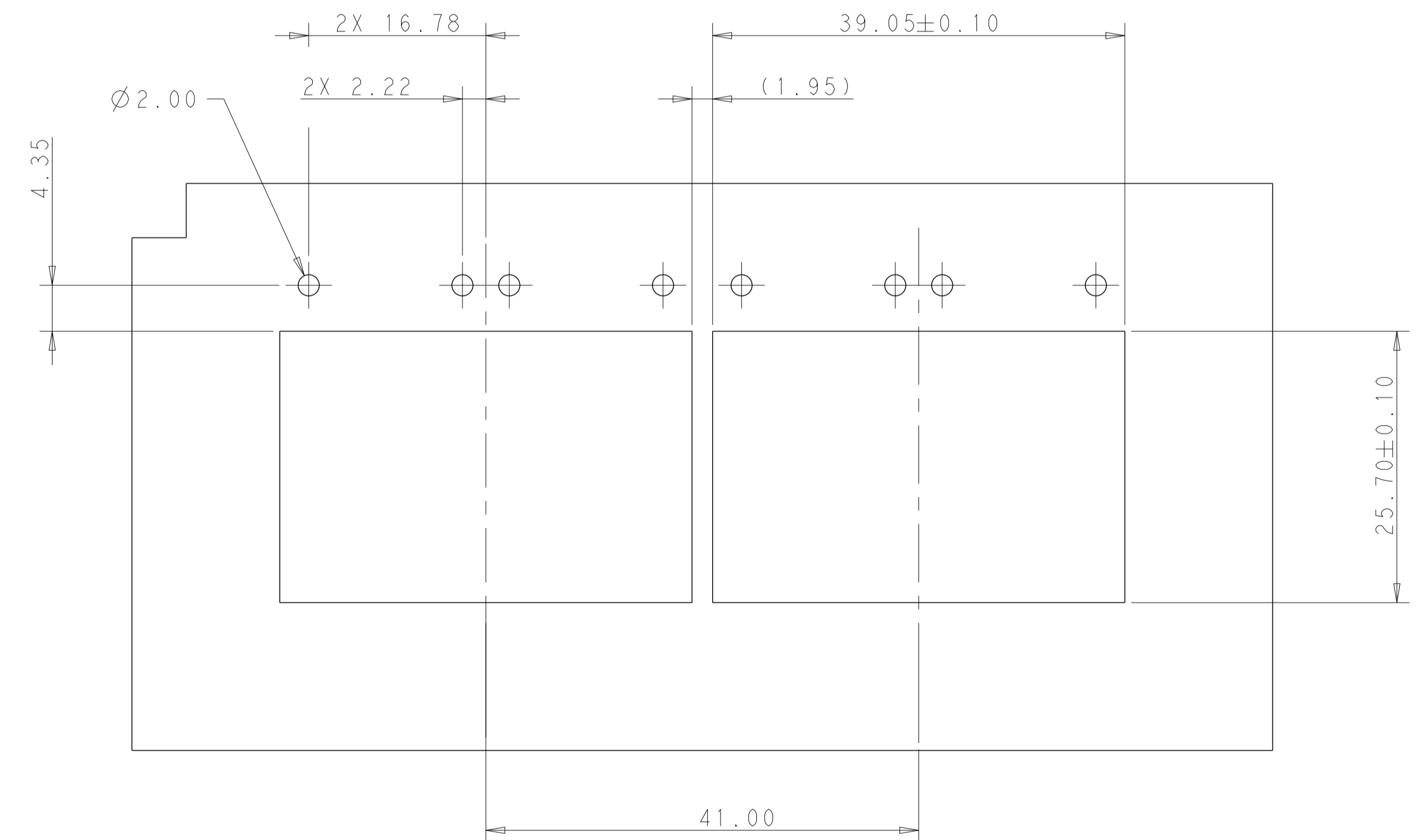
2299870-8
 1-2299870-8
 SECTION V-V
 SCALE 4:1



2-2299870-5
 RECOMMENDED PANEL CUTOUT
 SCALE 5:2



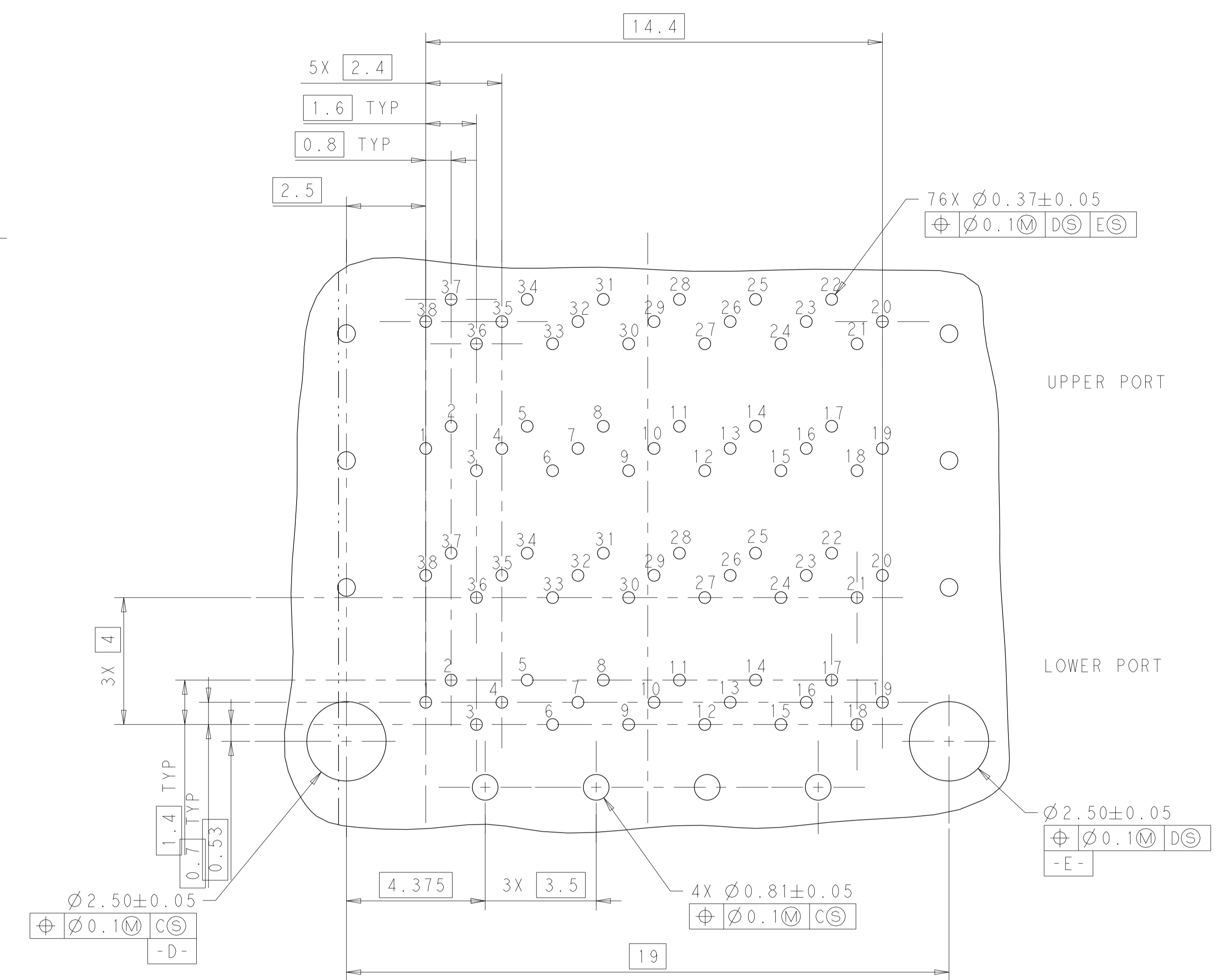
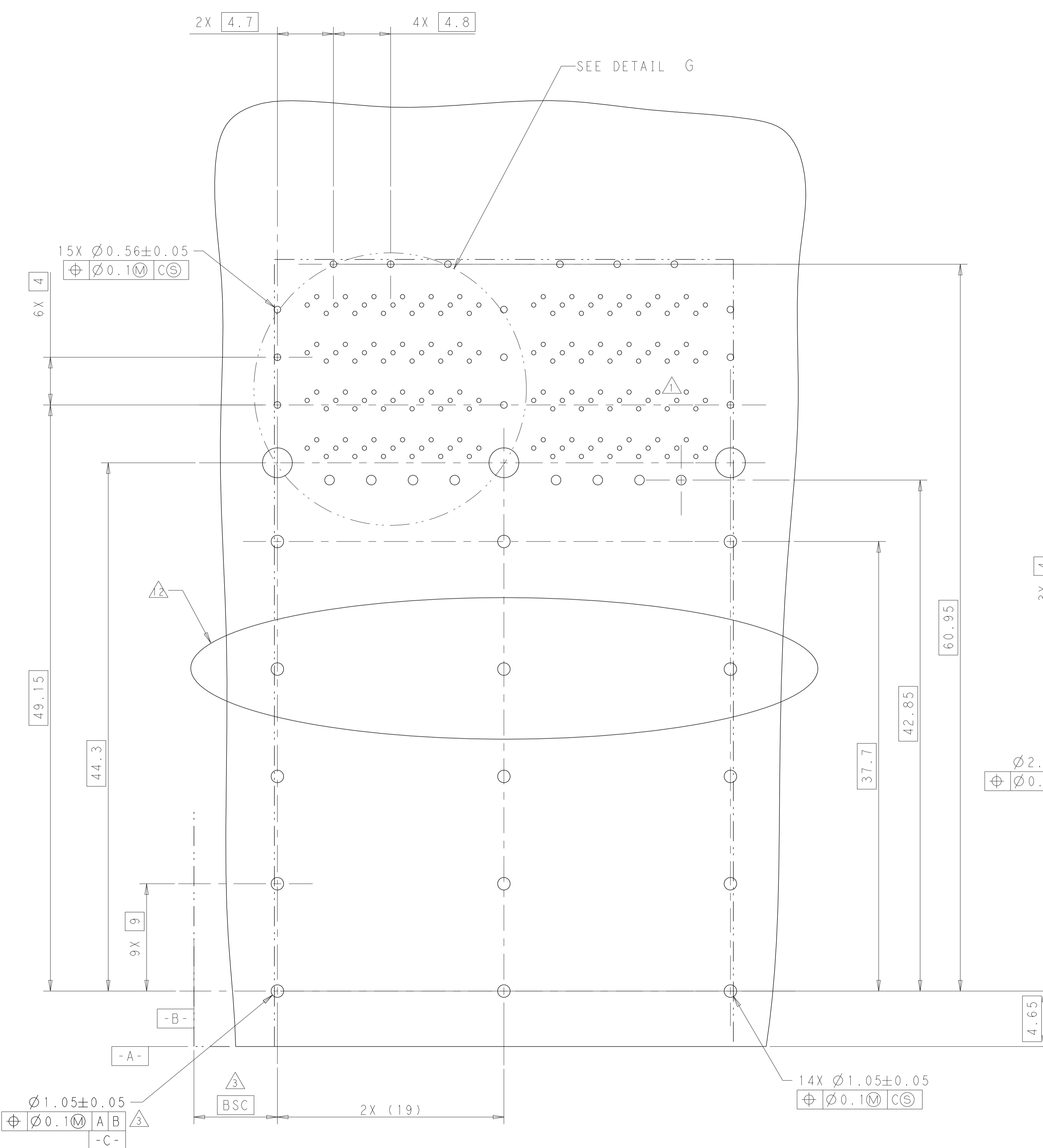
2-2299870-0
 SCALE 5:2



2299870-8
 1-2299870-0
 1-2299870-8
 2-2299870-3
 RECOMMENDED PANEL CUTOUT
 SCALE 5:2

THIS DRAWING IS A CONTROLLED DOCUMENT.		OWN: TIM XUE 28JAN2016	TE Connectivity NAME: CAGE AND CONNECTOR ASSEMBLY WITH EMI SPRING FINGERS, THRU BEZEL, 2X2 ZQSPF+ STACKED WITH HS PRODUCT SPEC: 108-60102 APPLICATION SPEC: 114-60015
DIMENSIONS: mm		CHK: SEAN HAN 28JAN2016	
TOLERANCES UNLESS OTHERWISE SPECIFIED:		APVD: SEAN HAN 28JAN2016	
0 PLC ± 1 PLC ±0.25 2 PLC ±0.15 3 PLC ± 4 PLC ± ANGLES ± FINISH ±		SIZE: A1 CAGE CODE: 00779 DRAWING NO: C=2299870 WEIGHT: - CUSTOMER DRAWING	
MATERIAL: SEE NOTE 1		SCALE: 1:1 SHEET 13 OF 16 REV: K5	

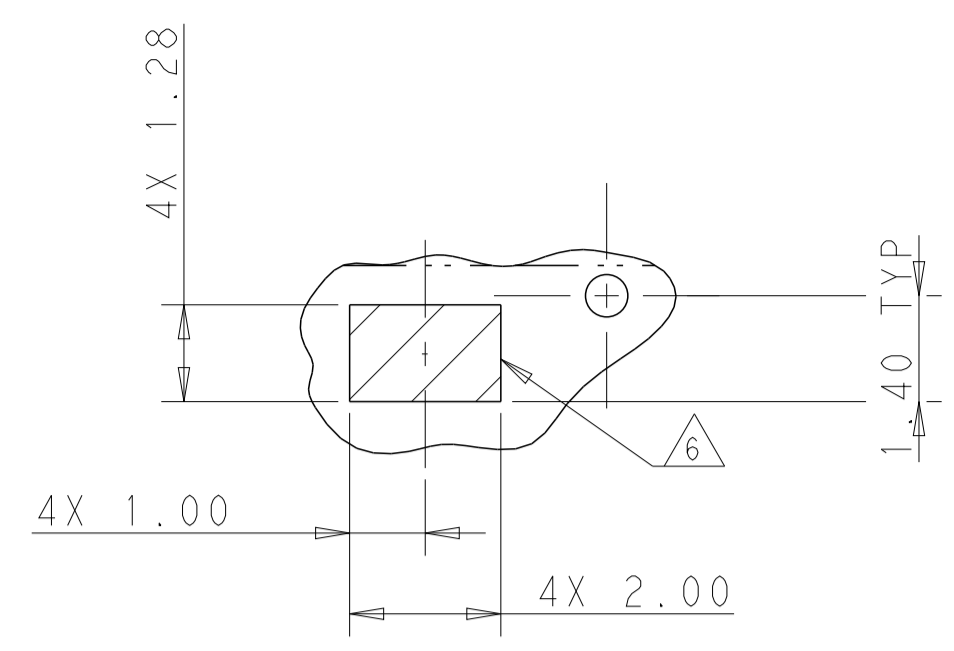
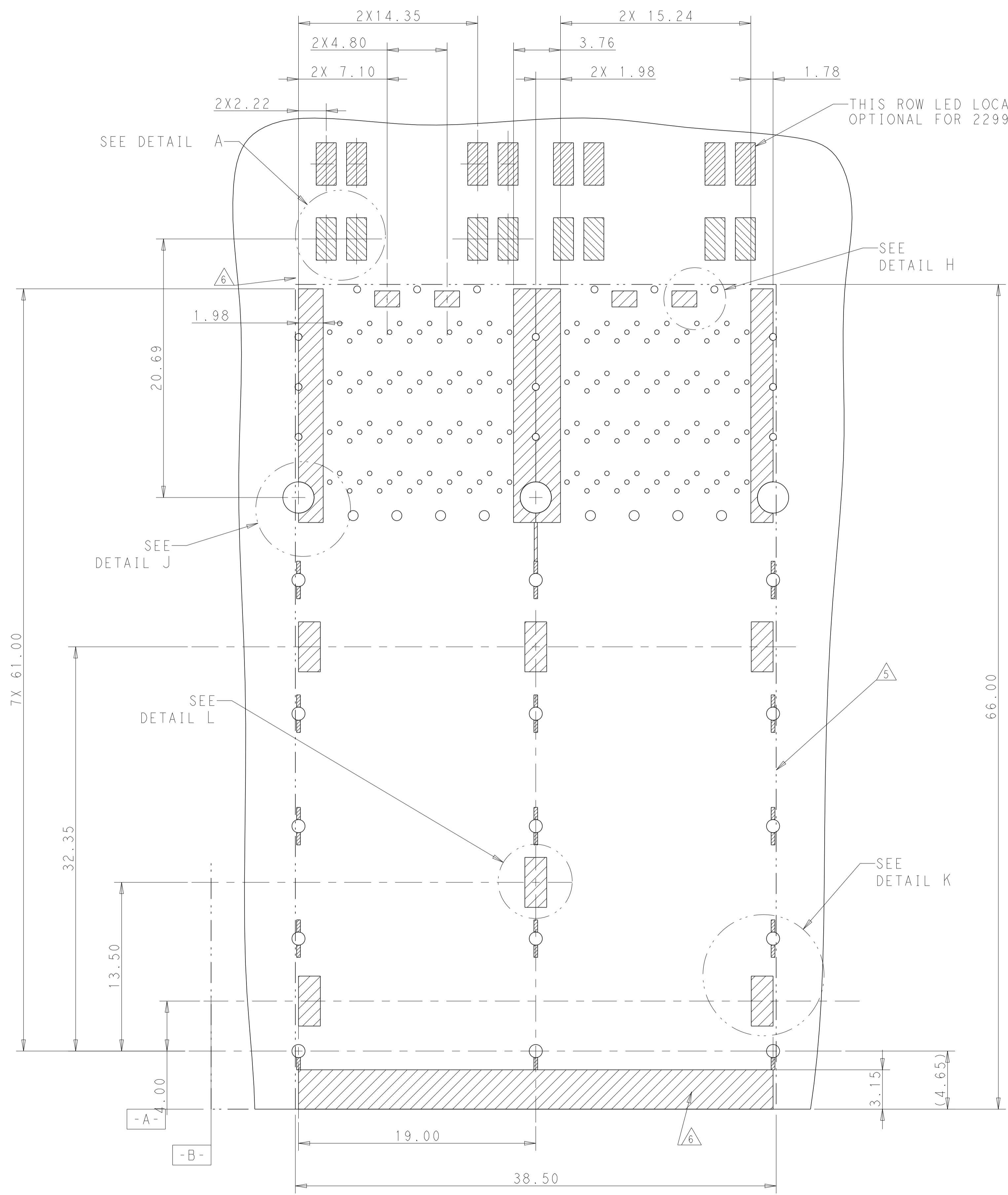
LOC		DIST		REVISIONS			
GP	00	P	LTN	DESCRIPTION	DATE	DMN	APVD
		-		SEE SHEET 1			



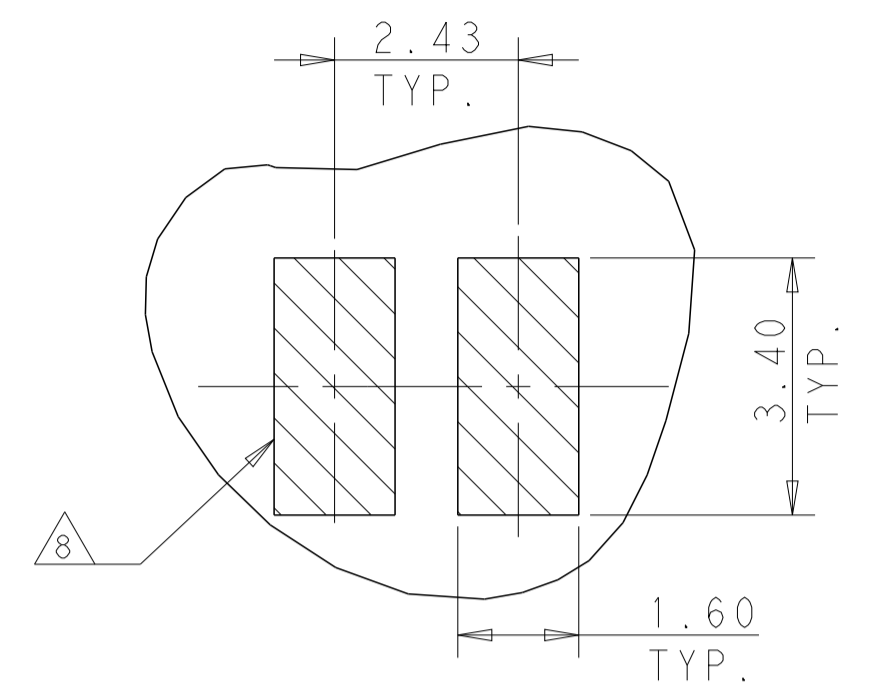
RECOMMENDED PC BOARD LAYOUT
 COMPONENT SIDE OF BOARD
 (PCB TOLERANCE ± 0.05)
 SCALE 5:1

THIS DRAWING IS A CONTROLLED DOCUMENT.		DMN	TIM XUE	28JAN2016
DIMENSIONS:		CHK	SEAN HAN	28JAN2016
mm	TOLERANCES UNLESS OTHERWISE SPECIFIED:	APVD	SEAN HAN	28JAN2016
	0 PLC \pm	NAME	CAGE AND CONNECTOR ASSEMBLY WITH EMI SPRING FINGERS, THRU BEZEL, 2X2 ZQSF+ STACKED WITH HS	
	1 PLC ± 0.25	PRODUCT SPEC	108-60102	
	2 PLC ± 0.15	APPLICATION SPEC	114-60015	
	3 PLC \pm	SIZE	CAGE CODE	DRAWING NO
	4 PLC \pm	RESTRICTED TO	A100779	C=2299870
	ANGLES \pm	WEIGHT	CUSTOMER DRAWING	
MATERIAL	FINISH	SCALE	1:1	SHEET 14 OF 16
SEE NOTE 1	SEE NOTE 2	REV	K5	

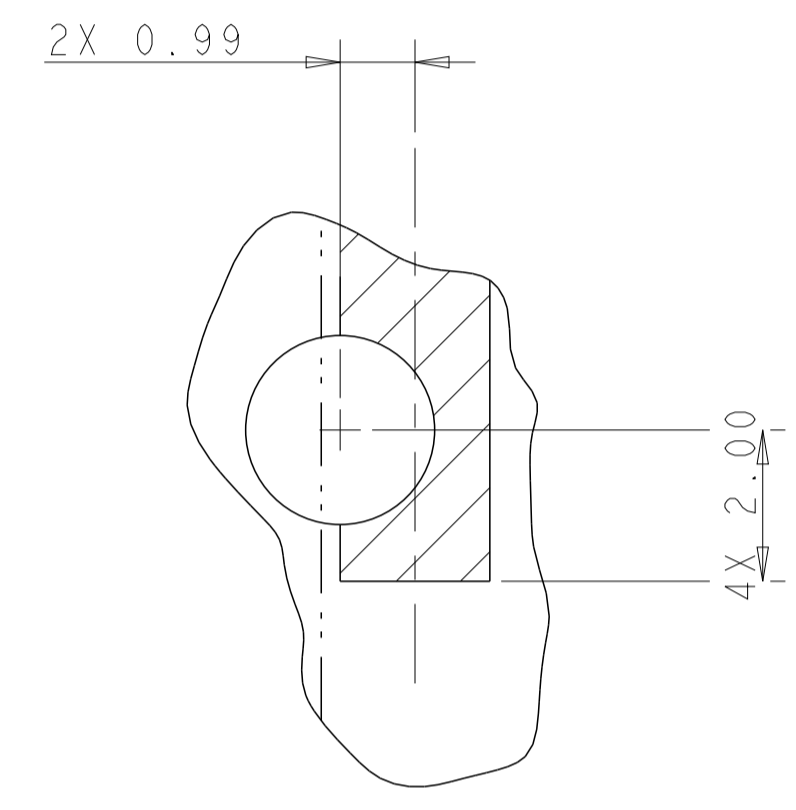
LOC	DIST	REVISIONS					
GP	00	P	LTN	DESCRIPTION	DATE	OWN	APVD
		-		SEE SHEET 1			



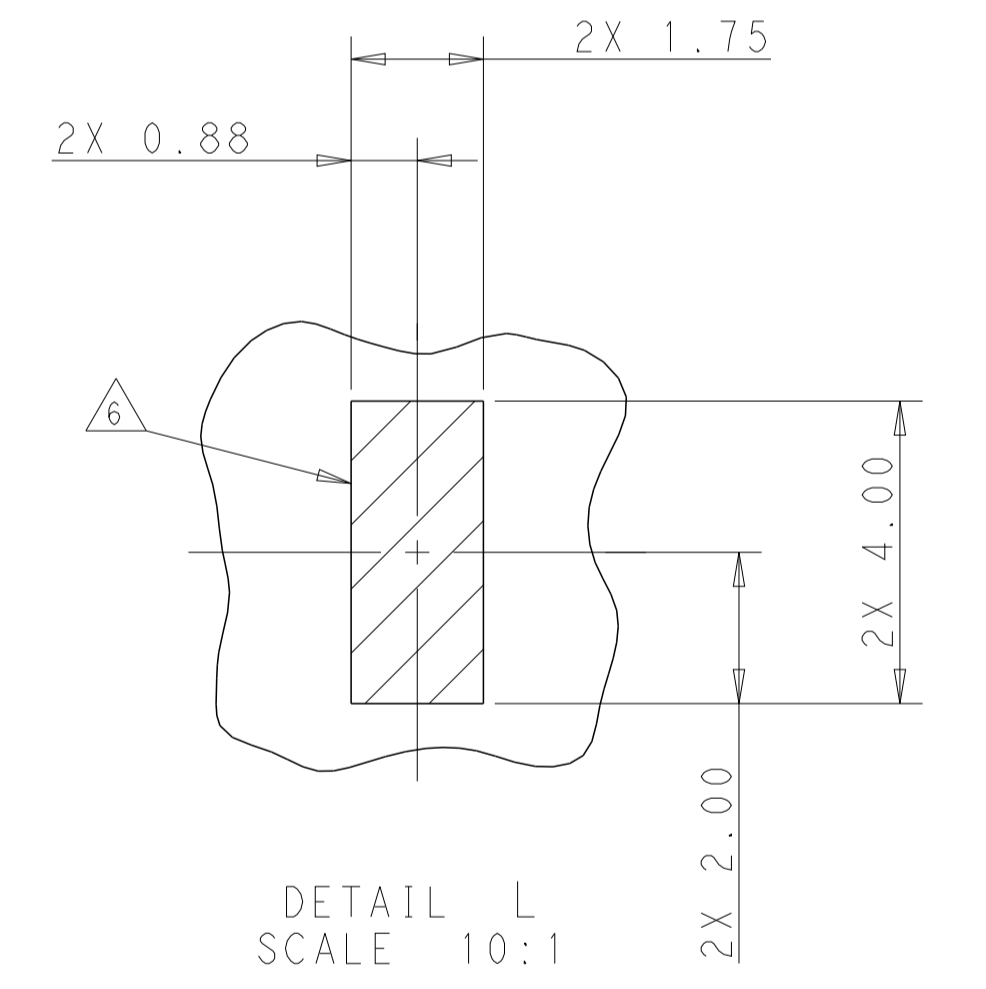
DETAIL H
SCALE 10:1



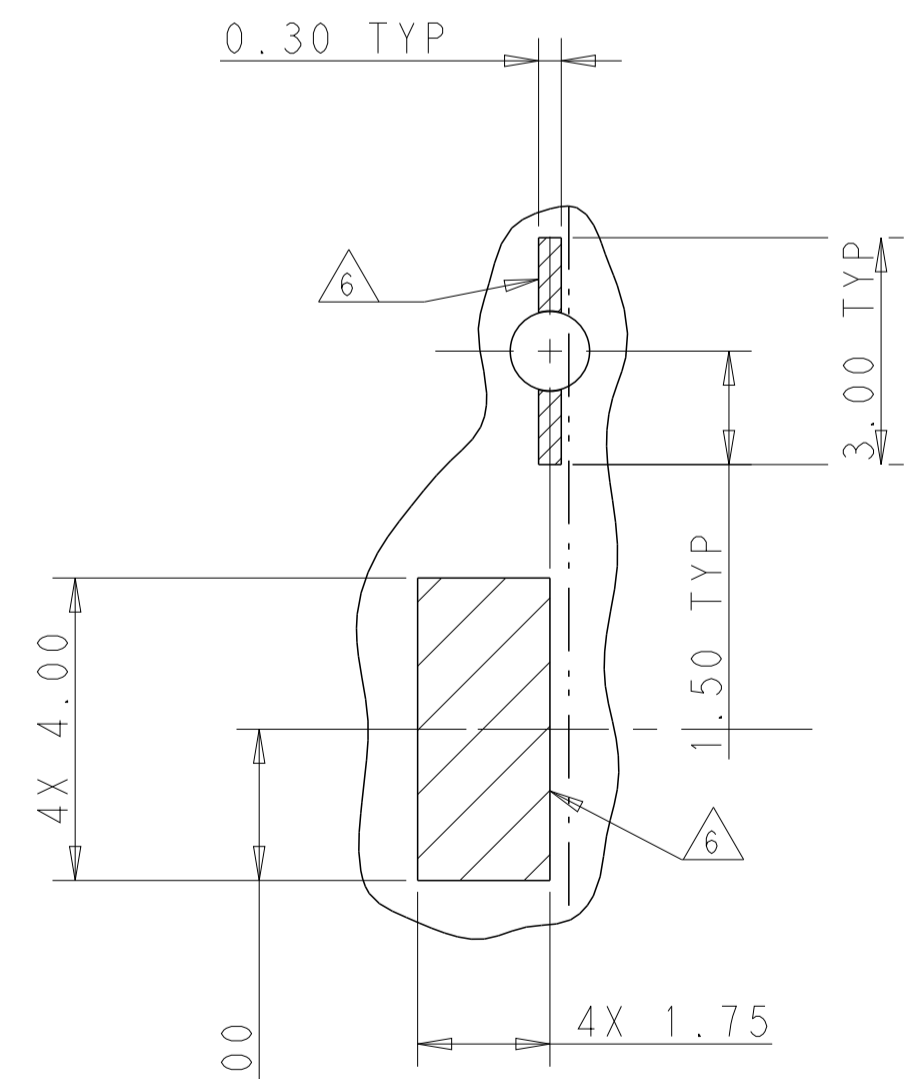
DETAIL A
SCALE 10:1



DETAIL J
LED PADS
SCALE 10:1



DETAIL L
SCALE 10:1

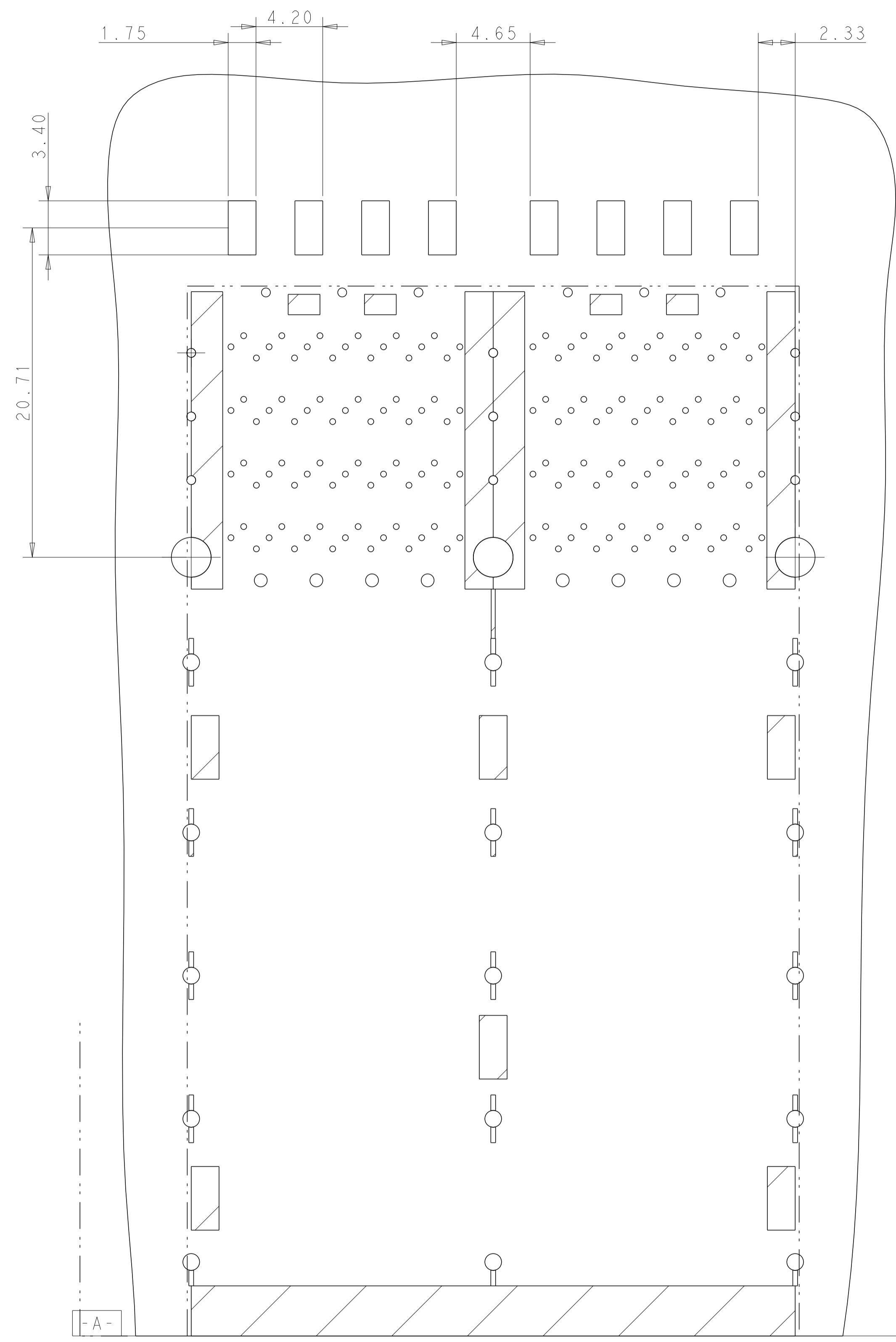


DETAIL K
SCALE 10:1

KEEPOUT AREAS
 COMPONENT SIDE OF BOARD
 (PCB TOLERANCE ±0.05)
 SCALE 5:1

THIS DRAWING IS A CONTROLLED DOCUMENT.		OWN	TIM XUE	28JAN2016	TE Connectivity	
DIMENSIONS:		CHK	SEAN HAN	28JAN2016		
mm	0 PLC ±0.25 1 PLC ±0.25 2 PLC ±0.15 3 PLC ±0.15 4 PLC ±0.15	APVD	SEAN HAN	28JAN2016	NAME CAGE AND CONNECTOR ASSEMBLY WITH EMI SPRING FINGERS, THRU BEZEL, 2X2 ZQSF+ STACKED WITH HS	
TOLERANCES UNLESS OTHERWISE SPECIFIED:		PRODUCT SPEC	108-60102	APPLICATION SPEC		
MATERIAL		SIZE	114-60015	CAGE CODE		DRAWING NO
SEE NOTE 1		WEIGHT		RESTRICTED TO		
SEE NOTE 2		CUSTOMER DRAWING		SCALE	1:1	
		A100779C=2299870		SHEET	15 OF 16	
				REV	K5	

LOC	DIST	REVISIONS			
P	LTN	DESCRIPTION	DATE	DMN	APVD
GP	00	SEE SHEET 1	-	-	-



RECOMMENDED 2-2299870-5 LP LOCATION
 SCALE 5:1

THIS DRAWING IS A CONTROLLED DOCUMENT.		DMN TIM XUE 28JAN2016	
DIMENSIONS: mm		CHK SEAN HAN 28JAN2016	
TOLERANCES UNLESS OTHERWISE SPECIFIED:		APVD SEAN HAN 28JAN2016	NAME CAGE AND CONNECTOR ASSEMBLY WITH EMI SPRING FINGERS, THRU BEZEL, 2X2 ZQSFP+ STACKED WITH HS
0 PLC ±	1 PLC ±0.25	PRODUCT SPEC 108-60102	SIZE A100779
2 PLC ±0.15	3 PLC ±	APPLICATION SPEC 114-60015	CAGE CODE C=2299870
4 PLC ±	ANGLES ±	FINISH	DRAWING NO 114-60015
MATERIAL SEE NOTE 1	SEE NOTE 2	WEIGHT -	RESTRICTED TO -
CUSTOMER DRAWING		SCALE 1:1	SHEET 16 OF 16
		REV K5	