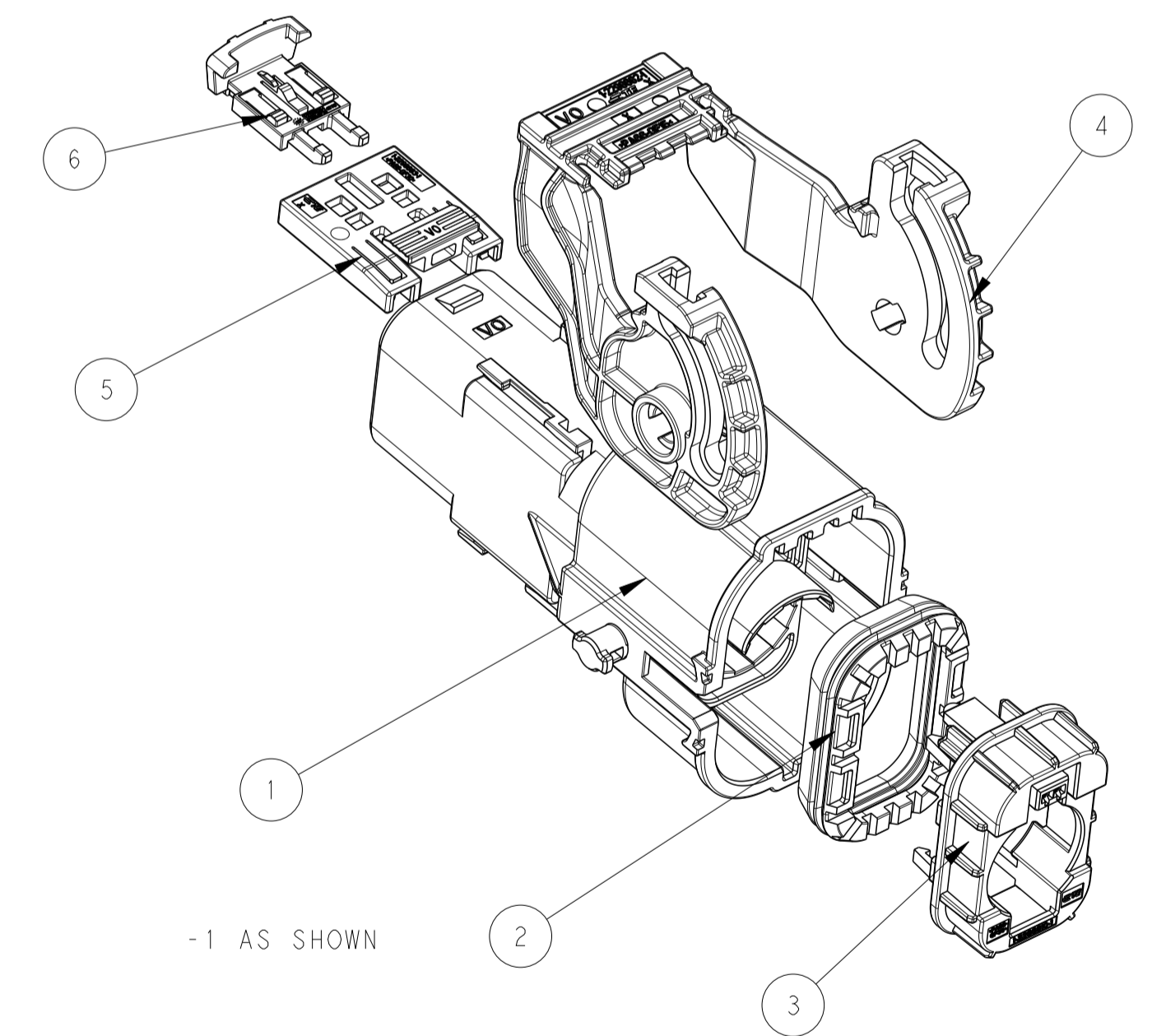
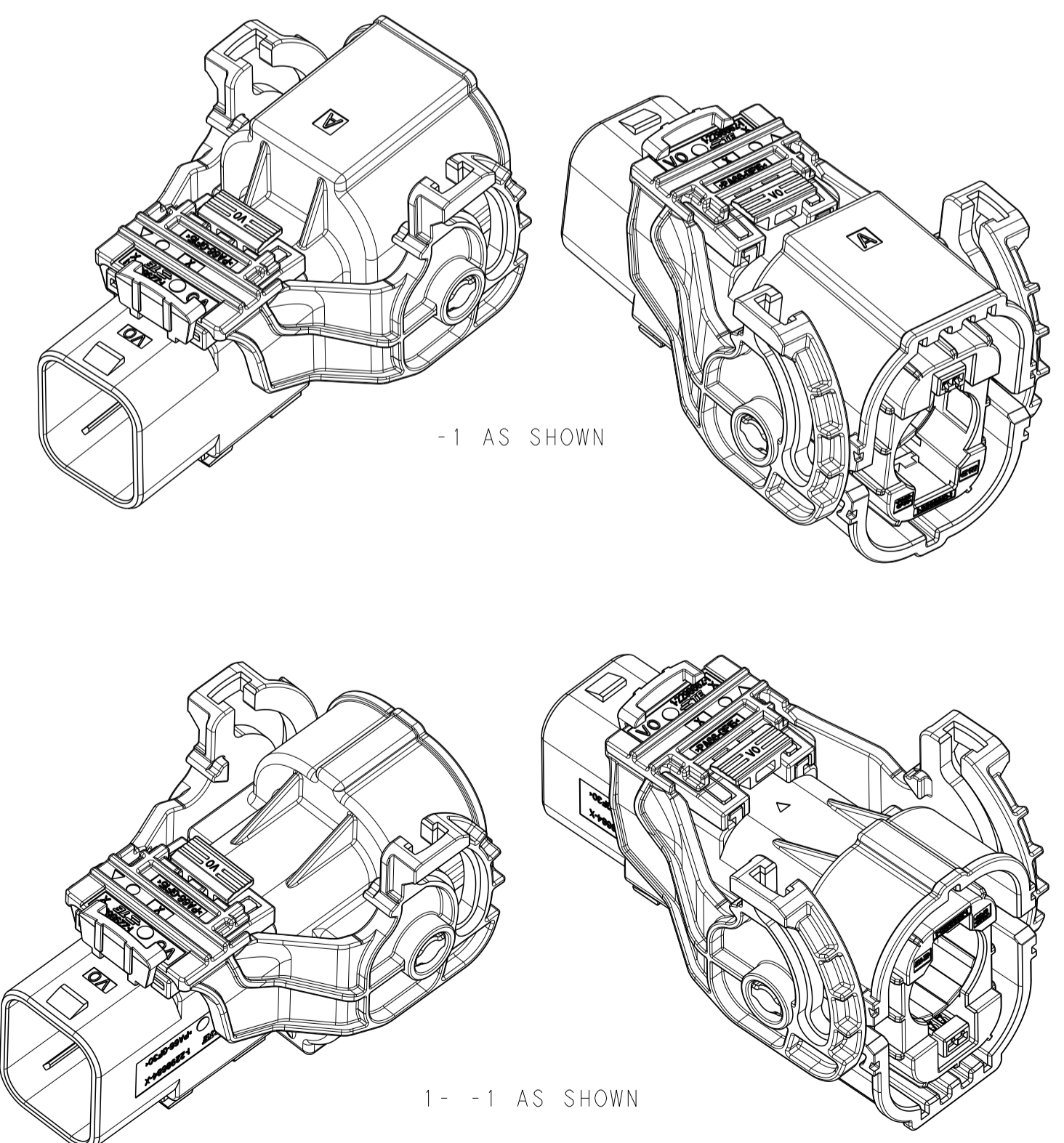


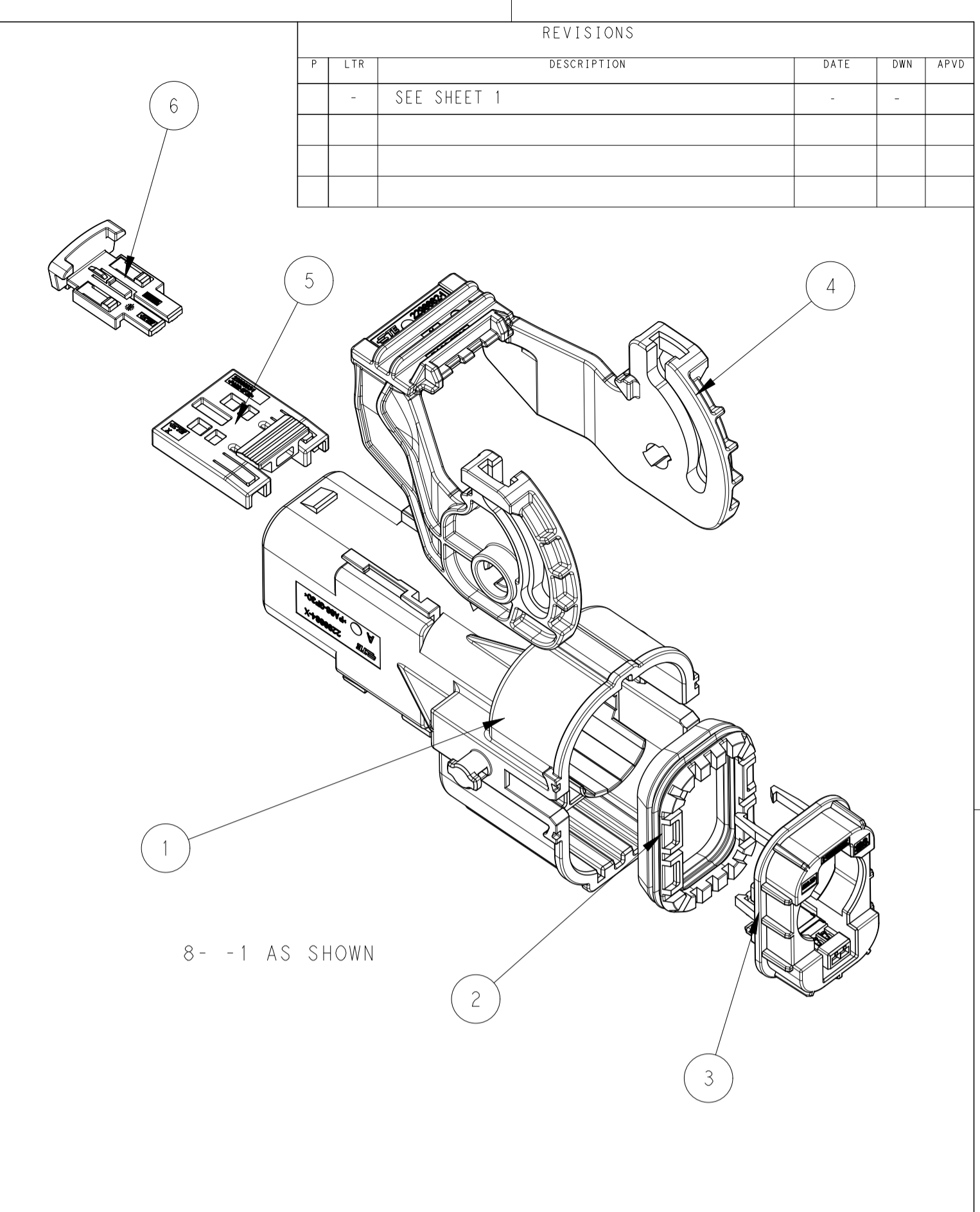
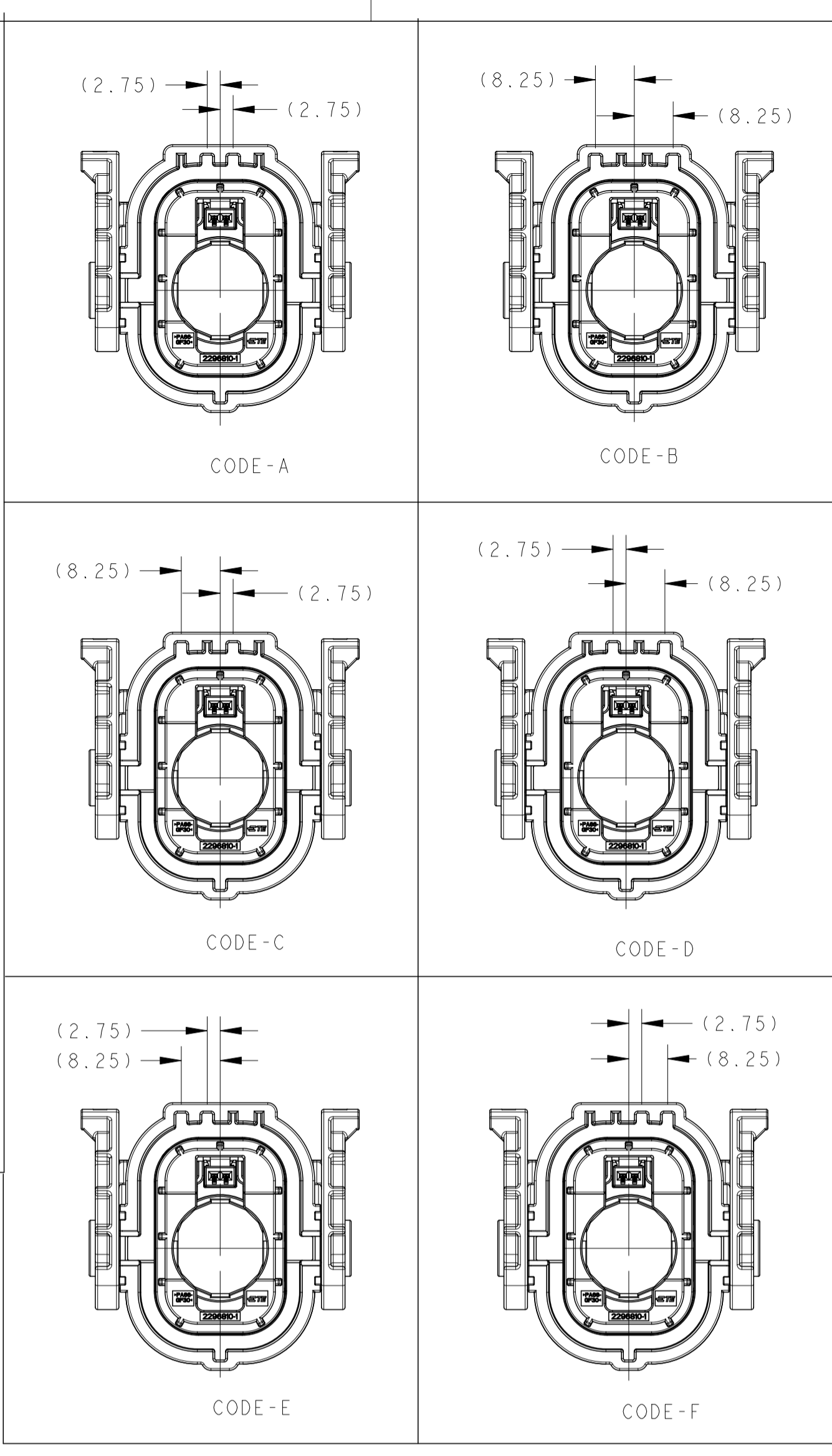
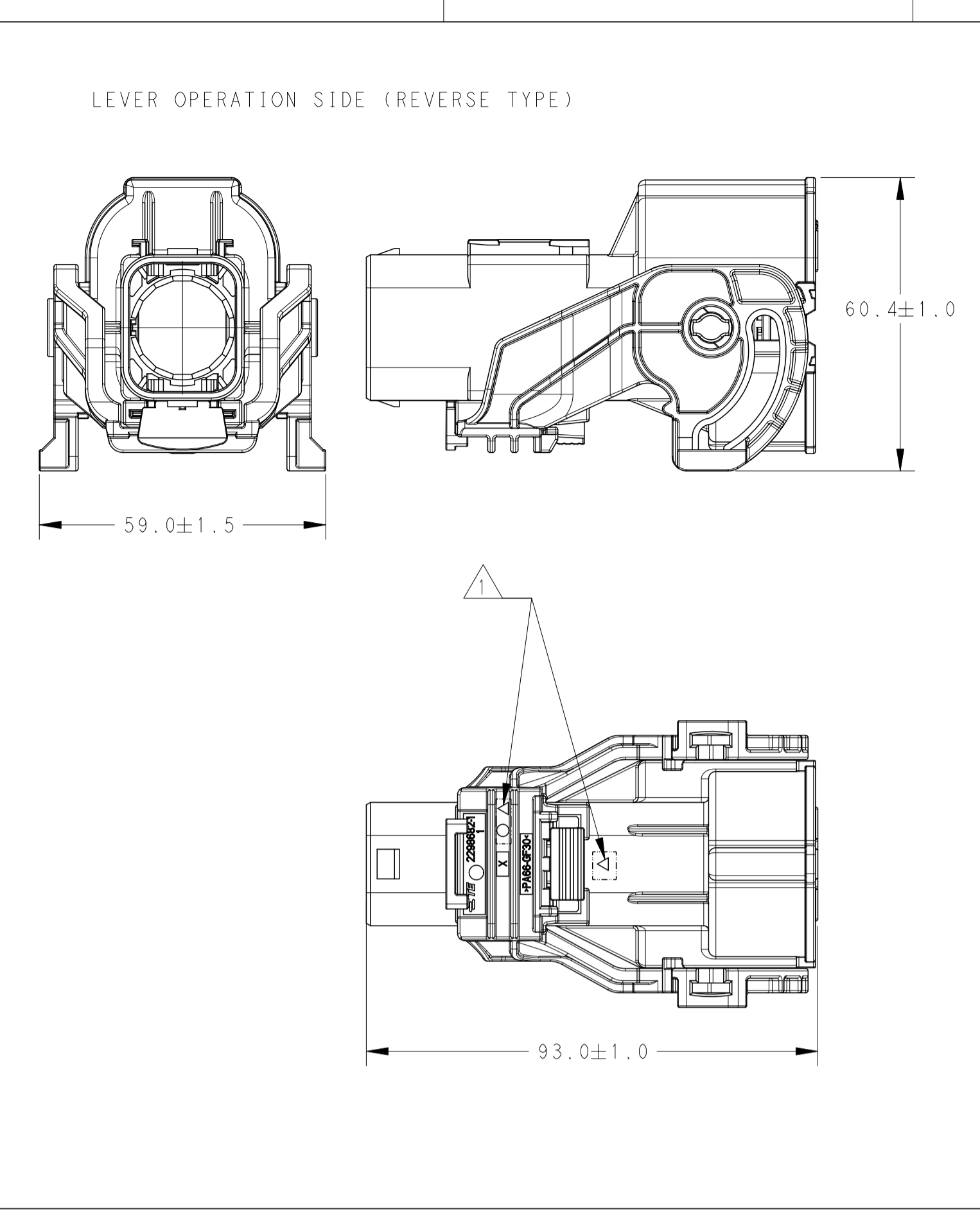
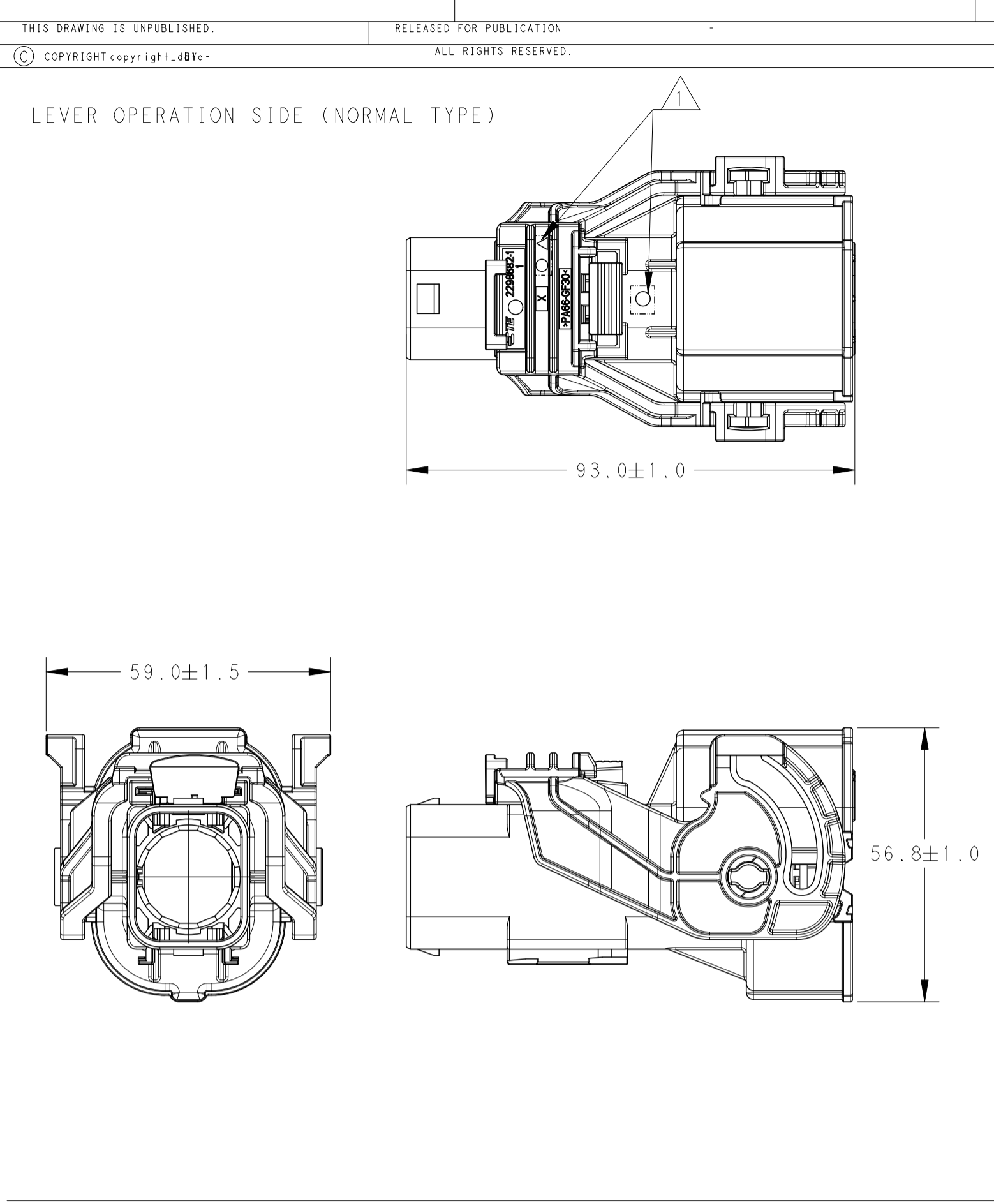
REVISIONS				
P. LTR	DESCRIPTION	DATE	OWN	APVD
A	RELEASED	11SEP16	JL	IY
A1	REVISED ECO-16-017008	13APR17	JL	IY
B	ECR-18-012319	22NOV2018	K.P.	E.J.

1	2	3	4	5	6	7	8	9	10	11	12	DESCRIPTION	MATERIAL	SURFACE COLOUR	ITEM
1	1	1	1	1	1	1	1	1	1	1	1	CPA	PA66-GF ULV0	RED	6
1	1	1	1	1	1	1	1	1	1	1	1	CPA ADAPTER	PA66-GF ULV0	GRAY	5
1	-	-	1	-	-	1	-	-	1	-	-	LEVER.180 DEG	PA66-GF ULV0	WHITE	4
-	1	-	-	1	-	-	1	-	-	1	-	LEVER.180 DEG	PA66-GF ULV0	RED	4
-	-	1	-	-	1	-	-	1	-	-	1	LEVER.180 DEG	PA66-GF ULV0	BLACK	4
1	1	1	1	1	1	1	1	1	1	1	1	MCON-1.2, REC HSG. ASSY	-	-	3
1	1	1	1	1	1	1	1	1	1	1	1	RADIAL SEAL	MVQ	NATURE	2
1	-	-	-	-	-	1	-	-	-	-	-	P2P 1P PLUG HSG 180DEG CODE F	PA66-GF ULV0	ORANGE	1
-	1	-	-	-	-	-	-	1	-	-	-	P2P 1P PLUG HSG 180DEG CODE E	PA66-GF ULV0	ORANGE	1
-	-	1	-	-	-	-	-	-	-	1	-	P2P 1P PLUG HSG 180DEG CODE D	PA66-GF ULV0	ORANGE	1
-	-	-	1	-	-	-	-	-	-	-	1	P2P 1P PLUG HSG 180DEG CODE C	PA66-GF ULV0	ORANGE	1
-	-	-	-	1	-	-	-	-	-	-	-	P2P 1P PLUG HSG 180DEG CODE B	PA66-GF ULV0	ORANGE	1
-	-	-	-	-	1	-	-	-	-	-	-	P2P 1P PLUG HSG 180DEG CODE A	PA66-GF ULV0	ORANGE	1
1--6	1--5	1--4	1--3	1--2	1--1	-6	-5	-4	-3	-2	-1	DESCRIPTION	MATERIAL	SURFACE COLOUR	ITEM
△	△	△	△	△	△	○	○	○	○	○	○	LEVER OPERATION SIDE(REVERSE TYPE) SYMBOL			
						○	○	○	○	○	○	LEVER OPERATION SIDE(NORMAL TYPE) SYMBOL			

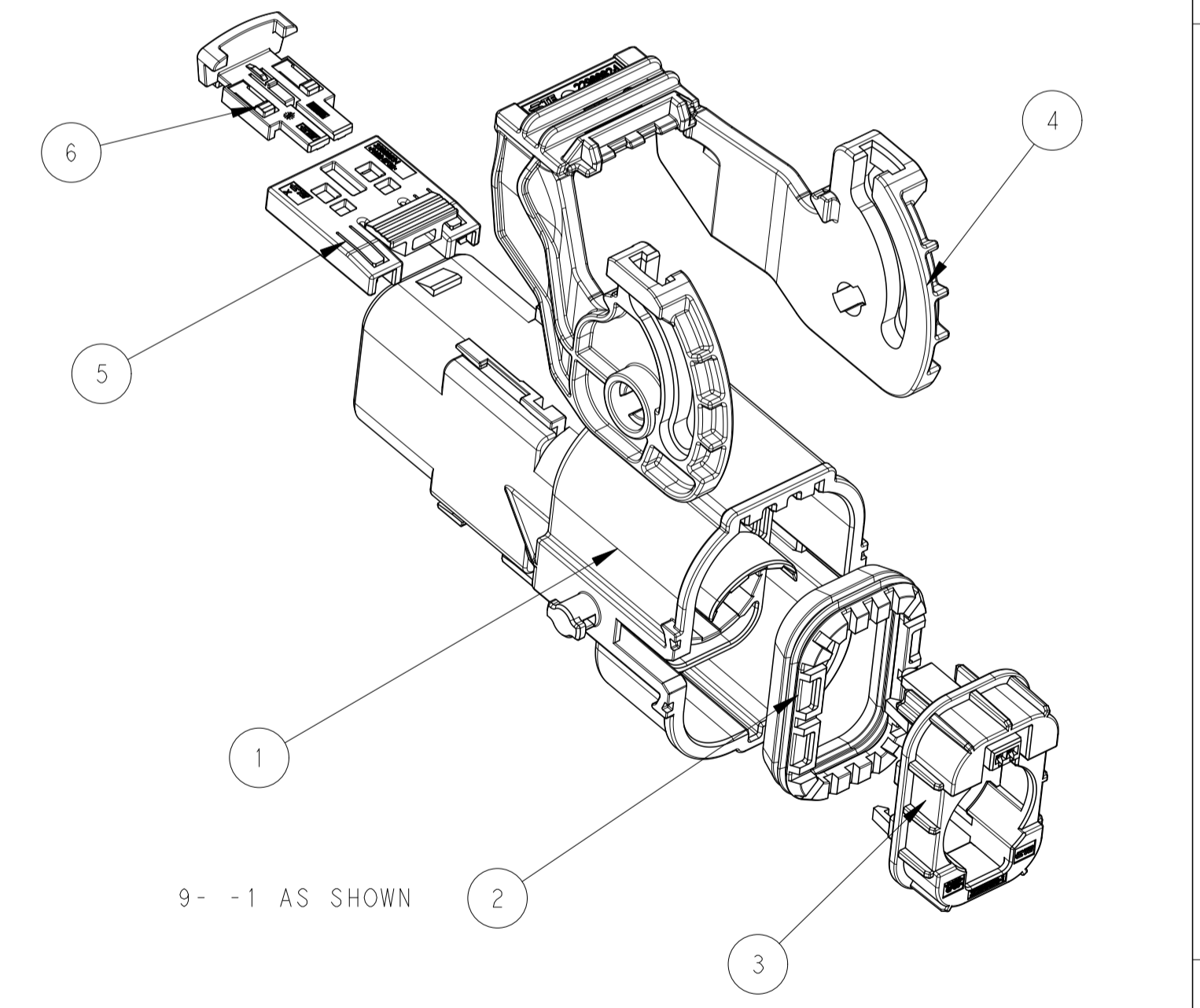
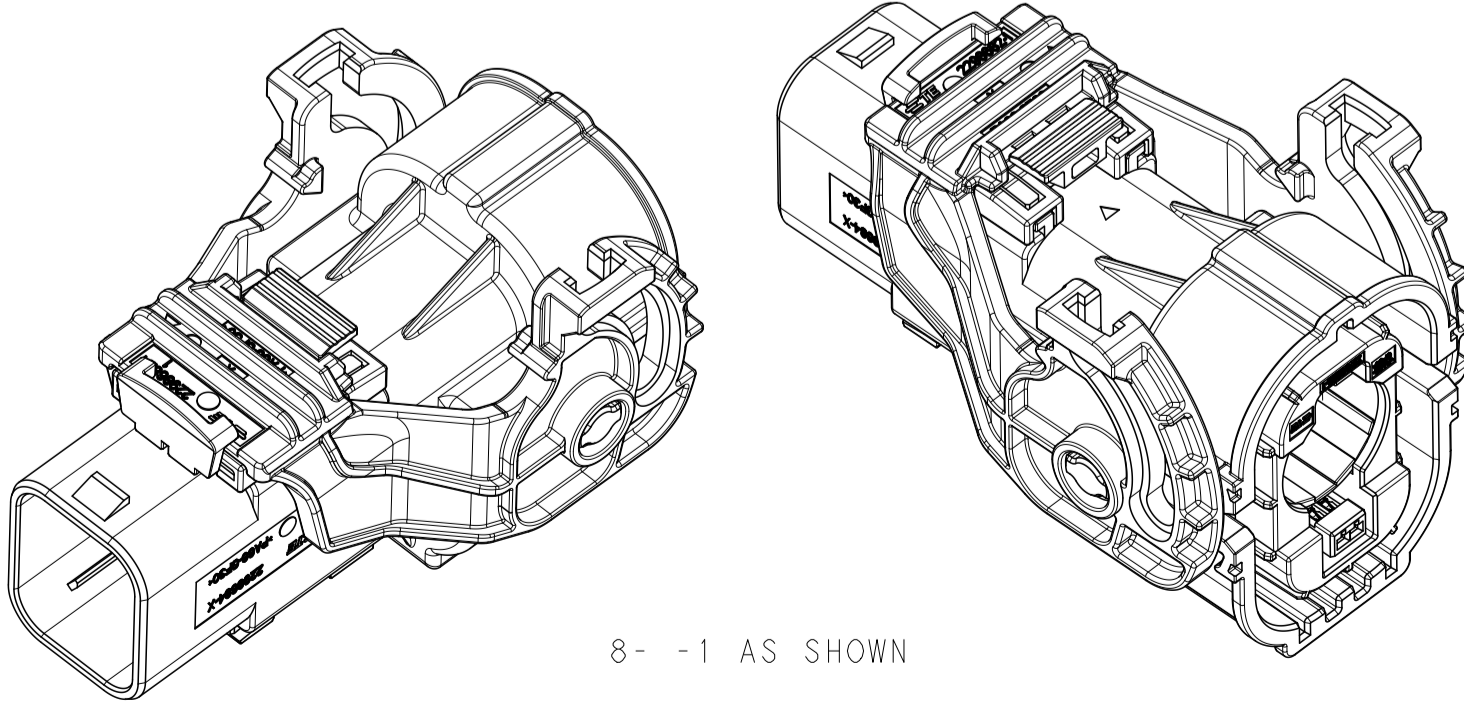
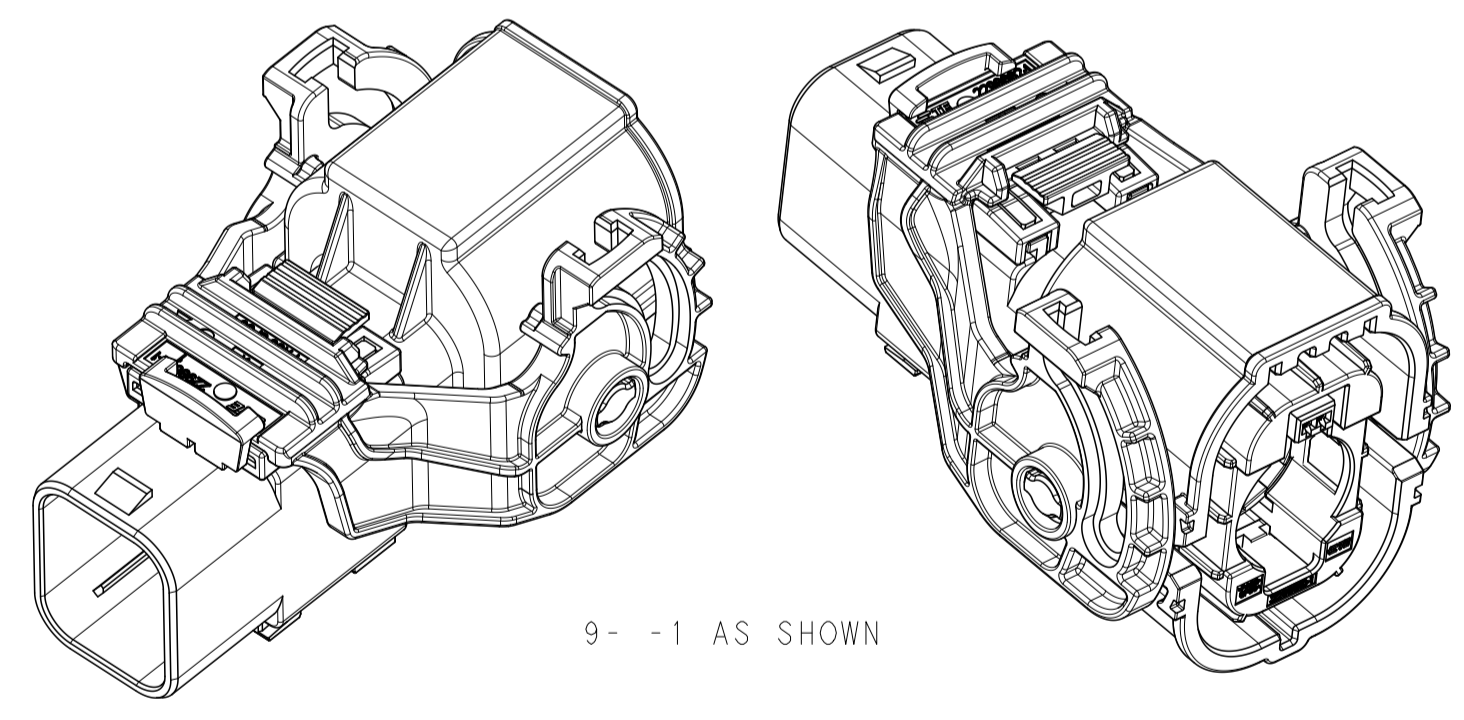


- NOTES:
- △ VISUAL MARKING OF VARIANT, SEE TABLE
 - SUPPLY CONDITION: LEVER IN END LOCK POSITION
 - ALL PLASTIC PARTS ARE V0 FIRE RETARDANT MATERIAL

THIS DRAWING IS A CONTROLLED DOCUMENT.		OWN: J.L.L.	23DEC2015		TE Connectivity
DIMENSIONS: mm		CHK: XX.L.L.	23DEC2015		NAME: P2P 1P PLUG HSG 180DEG ASSY
TOLERANCES UNLESS OTHERWISE SPECIFIED: ±0.5		APVD: J.Y.N.	11SEP2016	SIZE: A1	CAGE CODE: -
0 PLC ±0.1		PRODUCT SPEC: 108-101481		DRAWING NO: C=2299123	
1 PLC ±0.1		APPLICATION SPEC: 114-101063		SHEET 1 OF 2	
2 PLC ±0.1		REVISION: -		SCALE: 1:1	
3 PLC ±0.001		CUSTOMER DRAWING		REV B	
4 PLC ±0.001					
ANGLES: ±					



8	7	6	5	4	3	2	1	REVISIONS				DESCRIPTION	DATE	OWN	APVD				
THIS DRAWING IS UNPUBLISHED. RELEASED FOR PUBLICATION. ALL RIGHTS RESERVED.											- SEE SHEET 1					-	-	-	-
1	1	1	1	1	1	1	1	1	1	1	CPA	PA66-GF	RED	6					
1	1	1	1	1	1	1	1	1	1	1	CPA ADAPTER	PA66-GF	GRAY	5					
1	-	-	1	-	-	1	-	-	1	-	LEVER.180 DEG	PA66-GF	WHITE	4					
-	1	-	-	1	-	-	1	-	-	1	LEVER.180 DEG	PA66-GF	RED	4					
-	-	1	-	-	1	-	-	1	-	-	LEVER.180 DEG	PA66-GF	BLACK	4					
1	1	1	1	1	1	1	1	1	1	1	MCON-1.2. REC HSG. ASSY	-	-	3					
1	1	1	1	1	1	1	1	1	1	1	RADIAL SEAL	MVQ	NATURE	2					
1	-	-	-	-	-	1	-	-	-	-	P2P 1P PLUG HSG 180DEG CODE F	PA66-GF	ORANGE	1					
-	1	-	-	-	-	-	1	-	-	-	P2P 1P PLUG HSG 180DEG CODE E	PA66-GF	ORANGE	1					
-	-	1	-	-	-	-	-	1	-	-	P2P 1P PLUG HSG 180DEG CODE D	PA66-GF	ORANGE	1					
-	-	-	1	-	-	-	-	-	1	-	P2P 1P PLUG HSG 180DEG CODE C	PA66-GF	ORANGE	1					
-	-	-	-	1	-	-	-	-	-	1	P2P 1P PLUG HSG 180DEG CODE B	PA66-GF	ORANGE	1					
-	-	-	-	-	1	-	-	-	-	-	P2P 1P PLUG HSG 180DEG CODE A	PA66-GF	ORANGE	1					
8--6	8--5	8--4	8--3	8--2	8--1	9--6	9--5	9--4	9--3	9--2	9--1	DESCRIPTION	MATERIAL	SURFACE COLOUR	ITEM				
△	△	△	△	△	△	○	○	○	○	○	○	LEVER OPERATION SIDE (REVERSE TYPE) SYMBOL							
						○	○	○	○	○	○	LEVER OPERATION SIDE (NORMAL TYPE) SYMBOL							



- NOTES:
- △ VISUAL MARKING OF VARIANT, SEE TABLE
 - SUPPLY CONDITION: LEVER IN END LOCK POSITION
 - ALL PLASTIC PARTS ARE HB FIRE RETARDANT MATERIAL

THIS DRAWING IS A CONTROLLED DOCUMENT.		OWN: J.L.L.	23DEC2015		TE Connectivity
DIMENSIONS: mm		CHK: XX.L.L.	23DEC2015		NAME: P2P 1P PLUG HSG 180DEG ASSY
TOLERANCES UNLESS OTHERWISE SPECIFIED:		APVD: J.Y.N.	11SEP2016	PRODUCT SPEC: -	
0 PLC ±0.5		108-101481		APPLICATION SPEC: -	
1 PLC ±0.1		114-101063		SIZE: A1	
2 PLC ±0.05		CUSTOMER DRAWING		SCALE: 1:2	
3 PLC ±0.02				SHEET: 2 OF 2	
4 PLC ±0.001				REV: B	
ANGLES: ±					