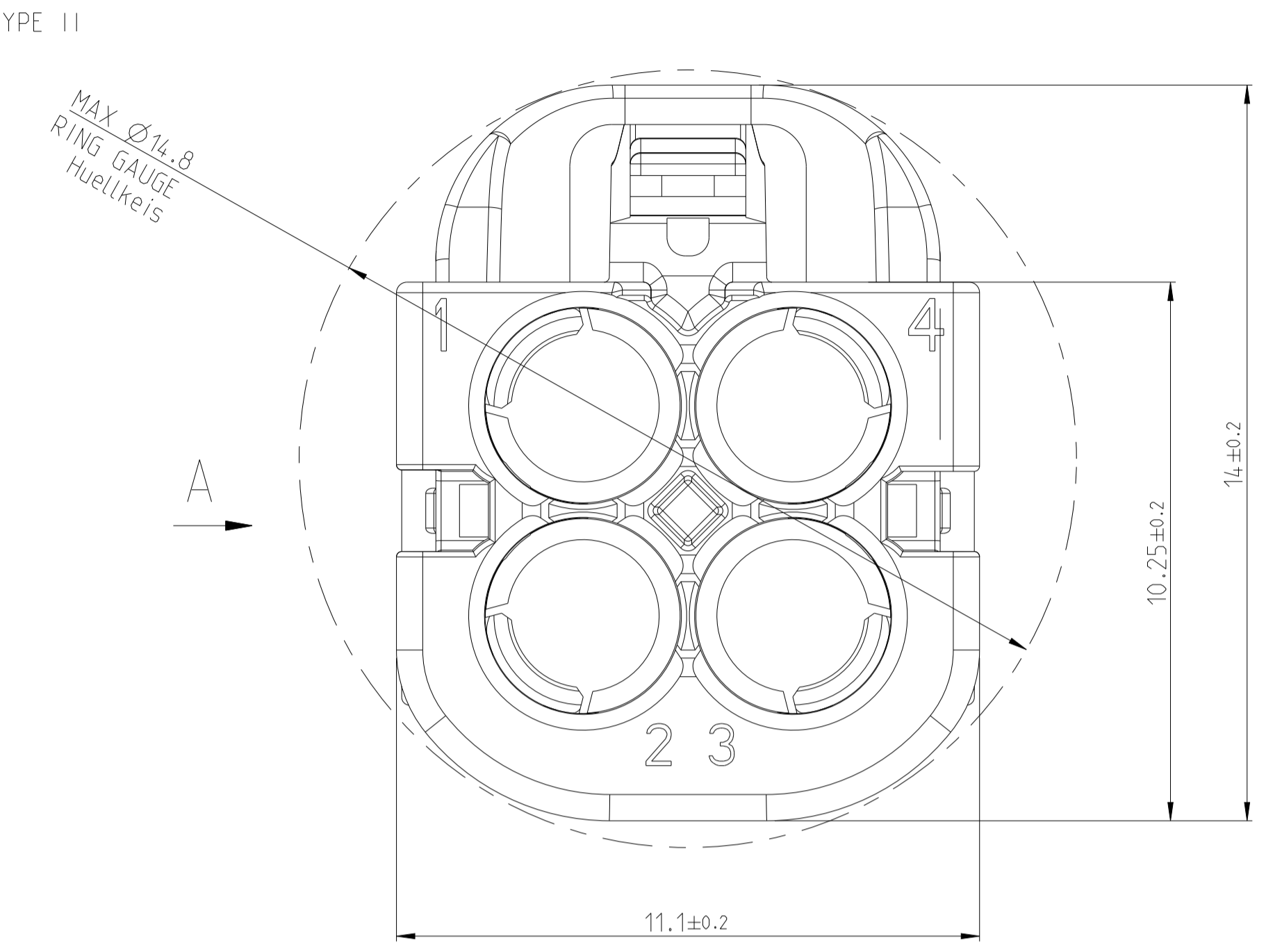
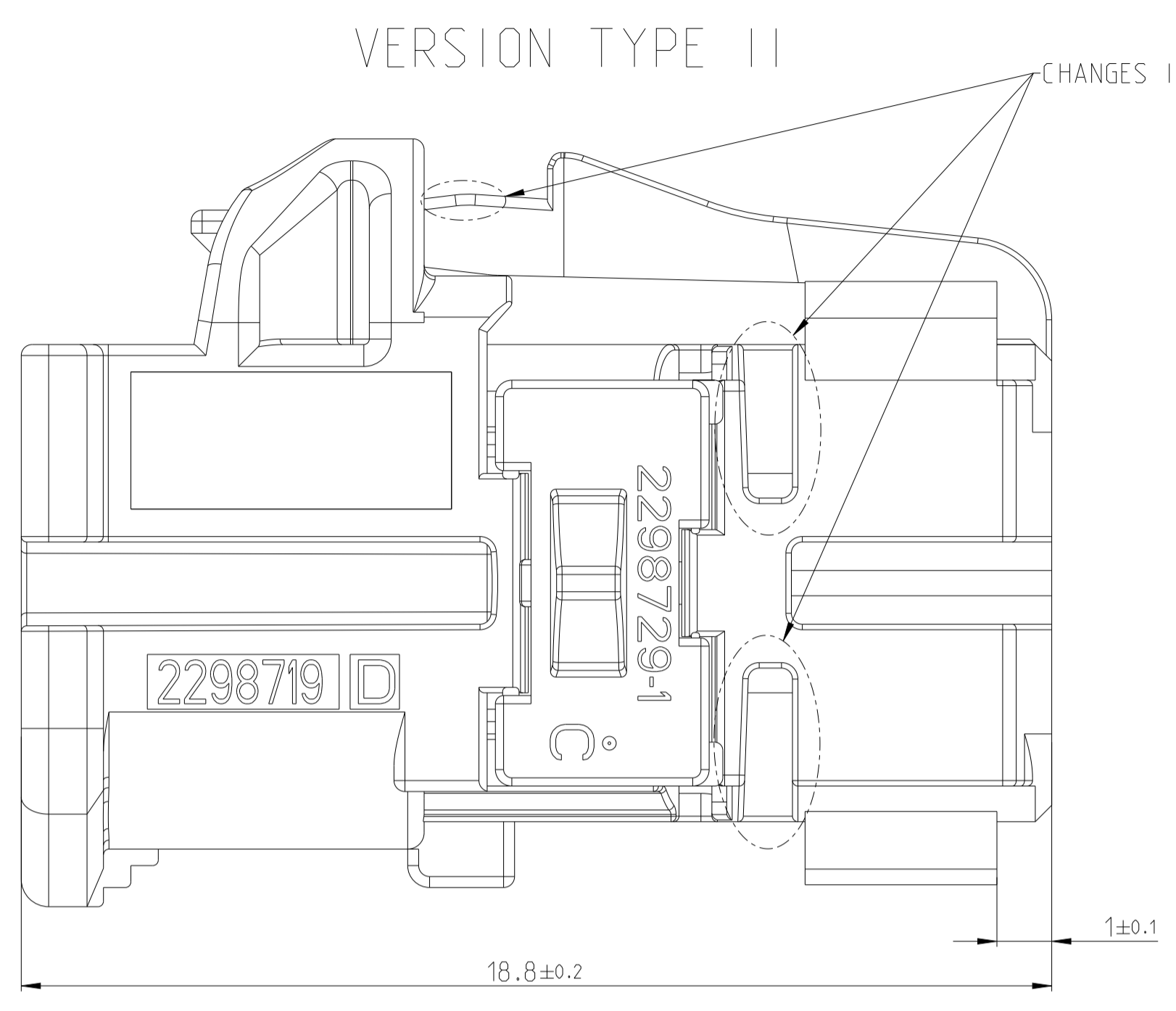
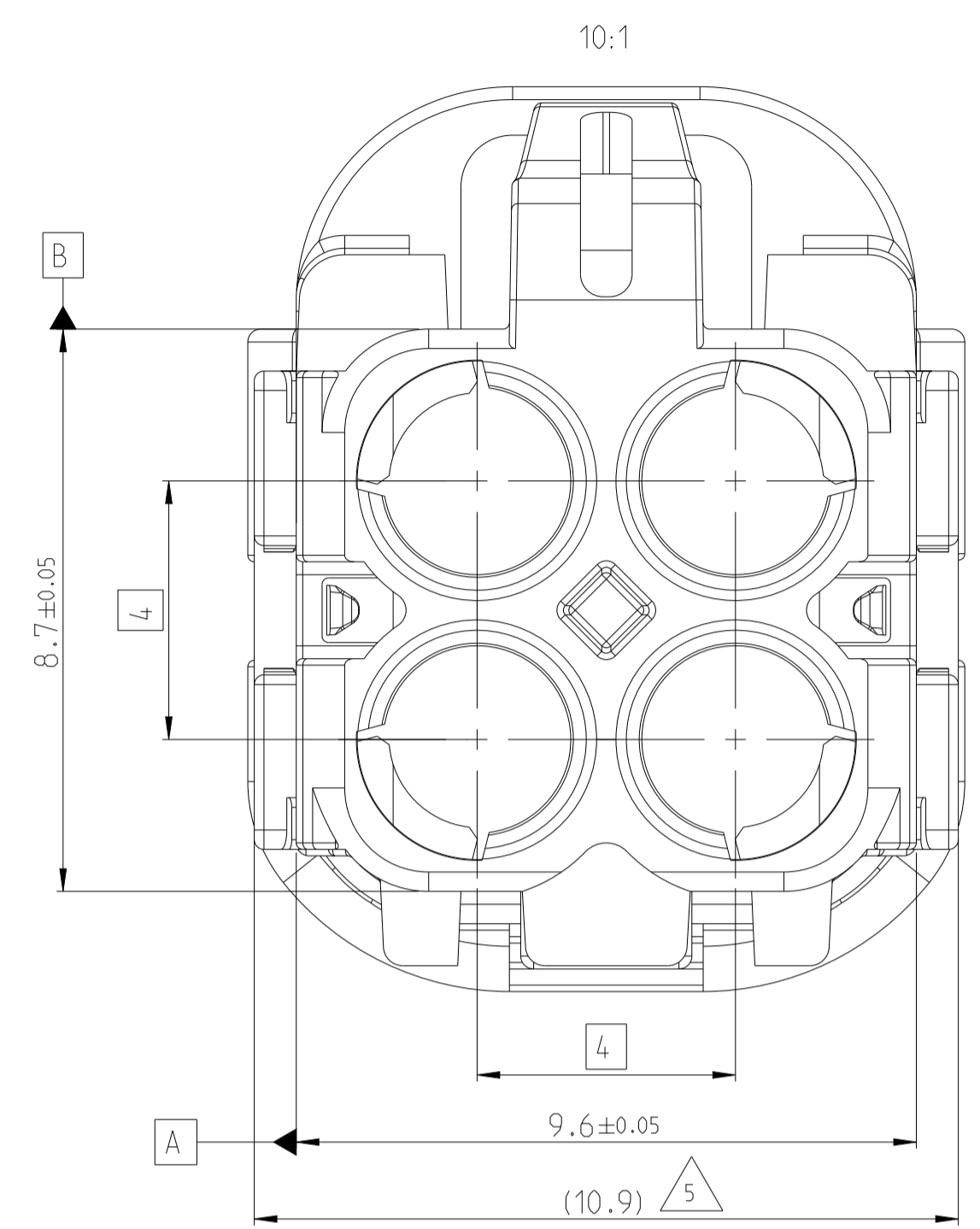
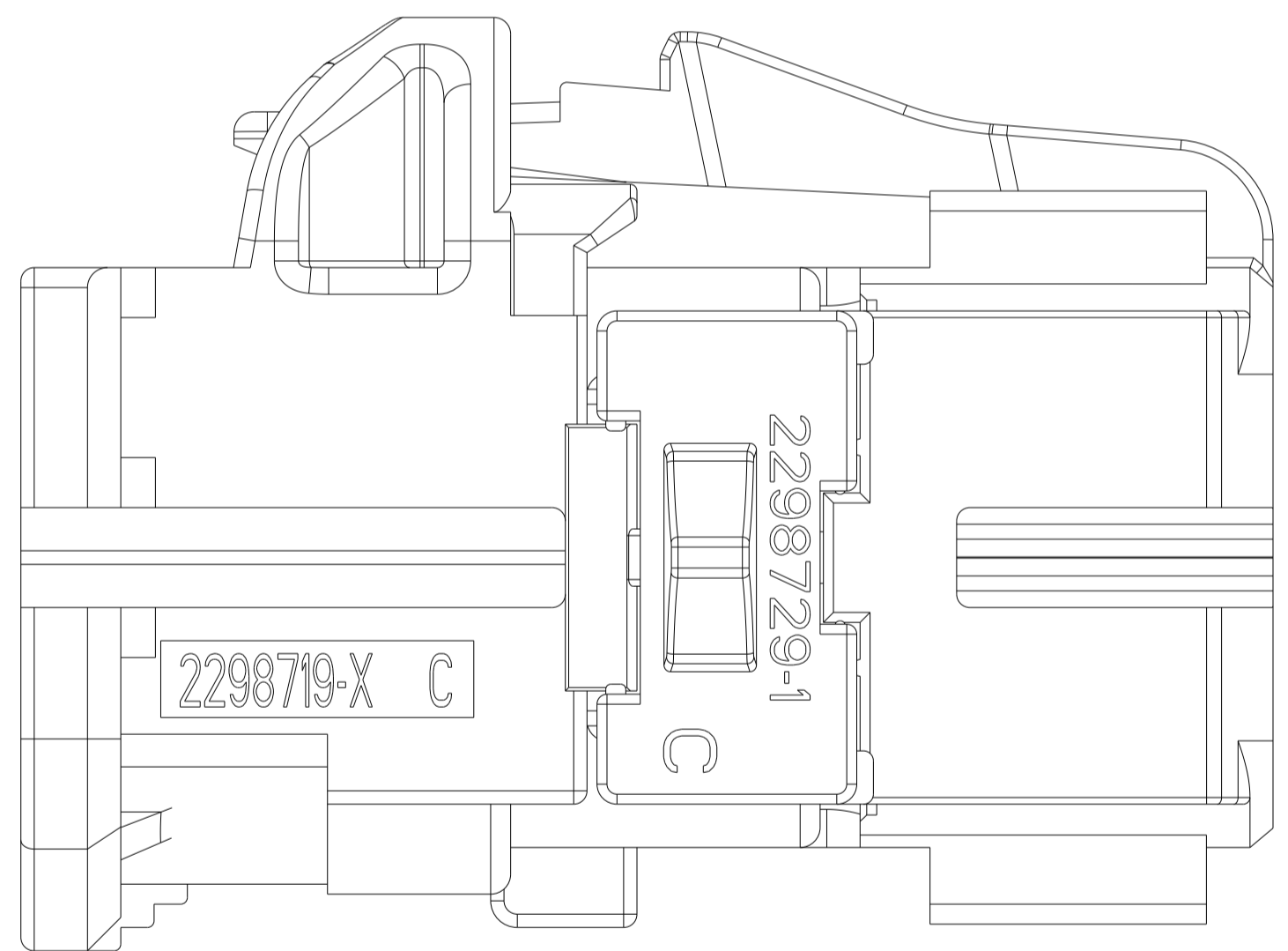


REVISIONS				
P	LTN	DESCRIPTION	DATE	APVD
C2		View coding Z corrected	02 JUL 2018	GB CS
C3		See change index C3	06 FEB 2020	GB CS
C4		Non CPA and CPA versions on sheet 2 and 3	21 MAY 2021	VS CS
C5		TPA LOCKING TYPE ADDED	19 OCT 2023	JJ CS

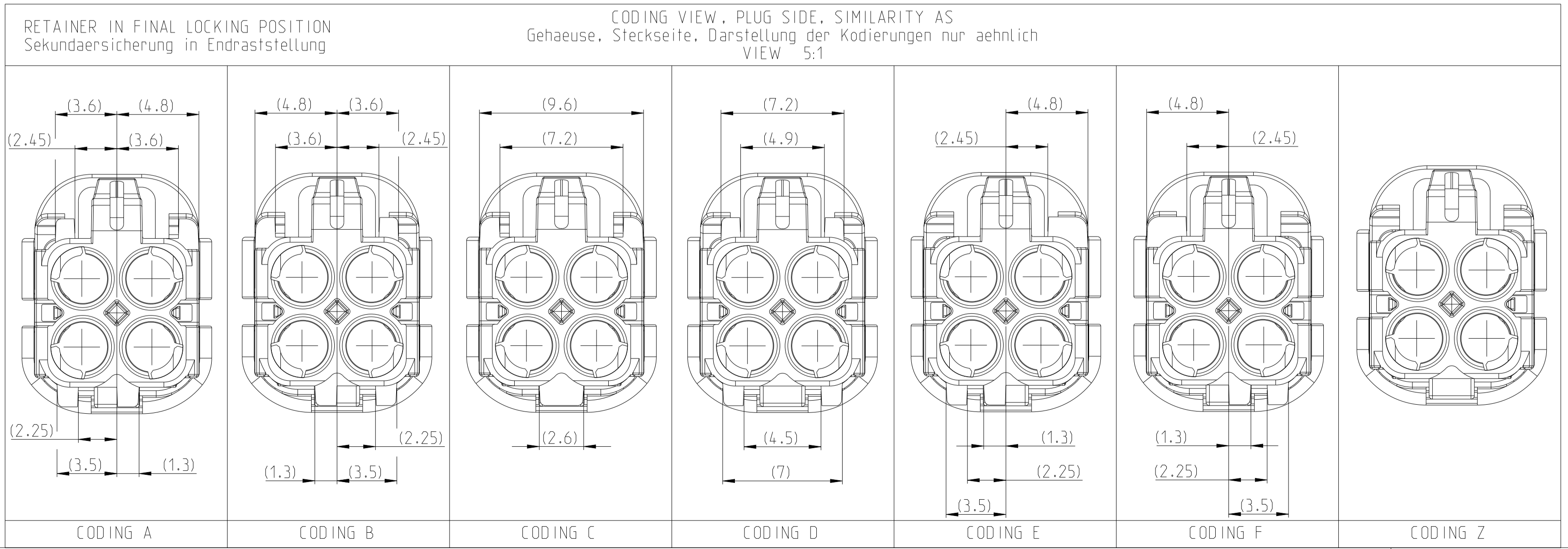
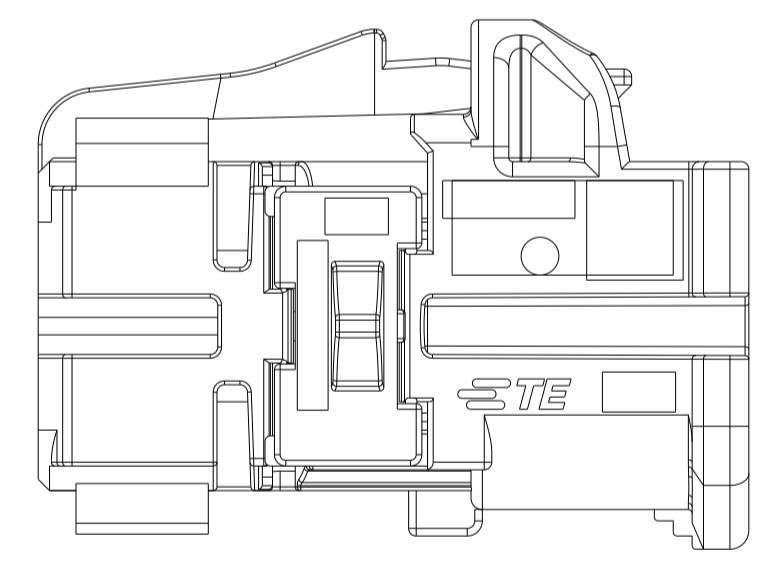


VERSION TYPE I

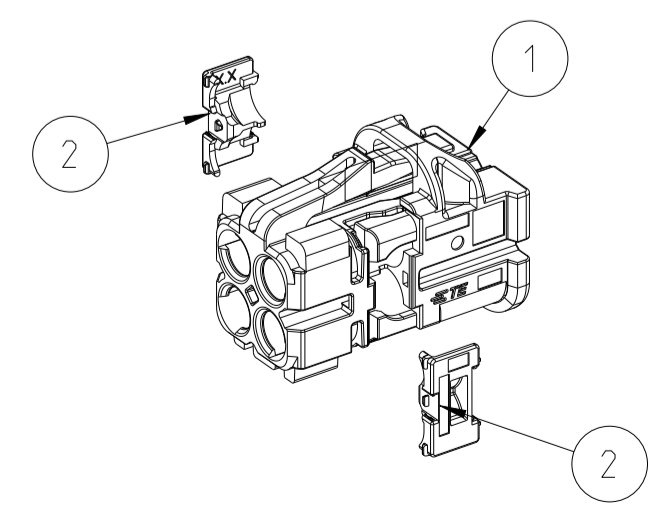


- ONLY THE GERMAN LANGUAGE SHALL BE BINDING  
Massgebend ist der deutsche Text
- DETAILS OF DESIGN ARE LEFT TO TE CONNECTIVITY  
Einzelheiten der Ausfuehrung bleiben TE CONNECTIVITY ueberlassen
- PACKAGING: BULK IN PLASTIC BAG IN CARDBOARD BOX  
Verpackung: Schuetztgut in Kunststoffbeutel in Karton
- TE ORDER NO. 2298721-1 CODING A AS SHOWN  
TE-Bestellnummer 2298721-1 Kodierung A wie dargestellt
- Retainer and CPA in pre-locking position  
Sekundaerverriegelung und CPA in Vorraststellung
- MATCHING TO CONTACT TE NO. 2298488 AND 2298510  
Passend zu Kontakt TE-Nr. 2298488 und 2298510
- CONFECTION TESTS COMBINED WITH CONTACT LEADS ARE TO BE MADE WITH  
RF-ADAPTER 1-523216-0  
Konfektionspruefungen in Verbindung mit Leitungen sind durchzufuehren mit  
HF-Adapter 1-523216-0

VIEW A



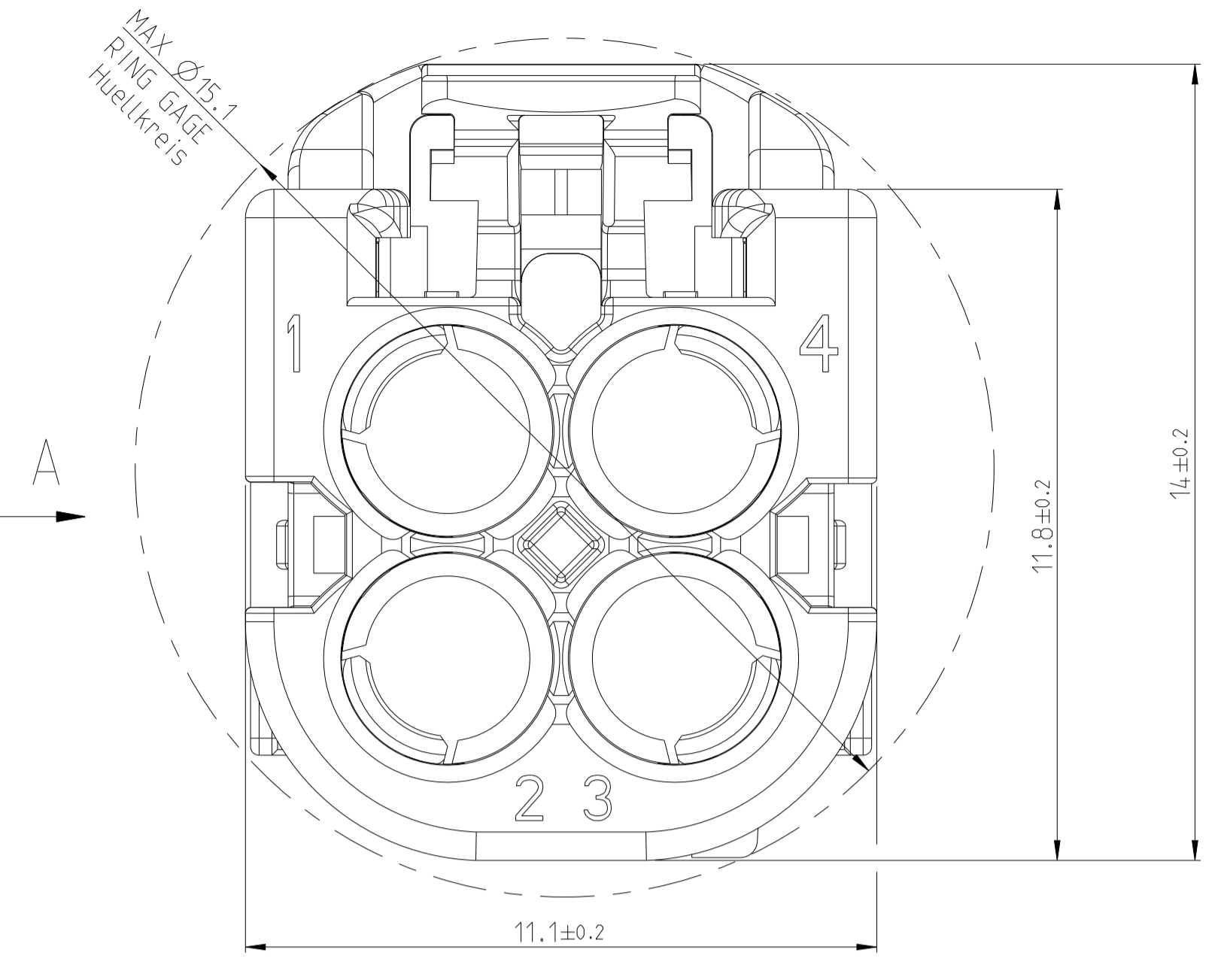
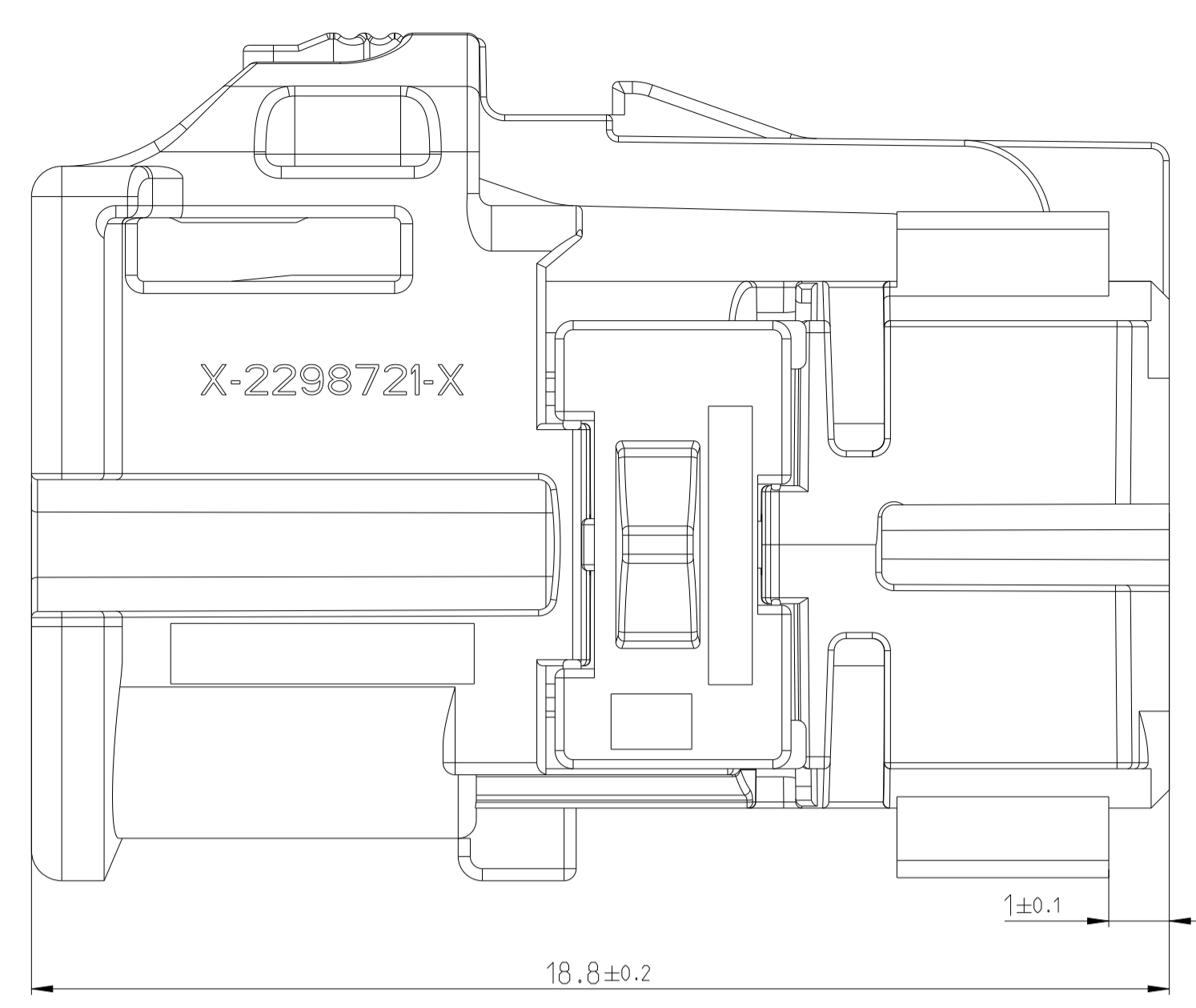
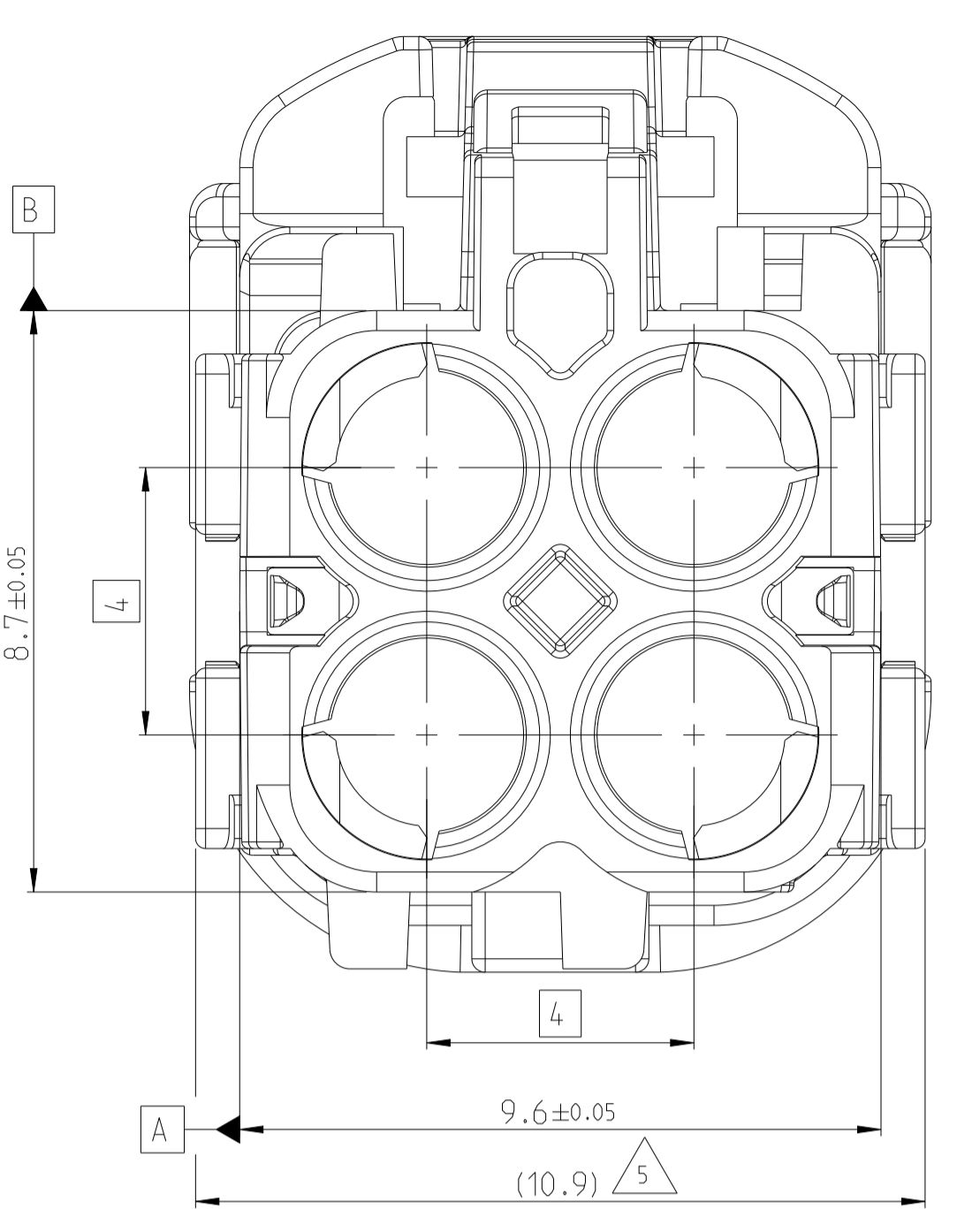
VIEW 3D EXPLODED  
2:1



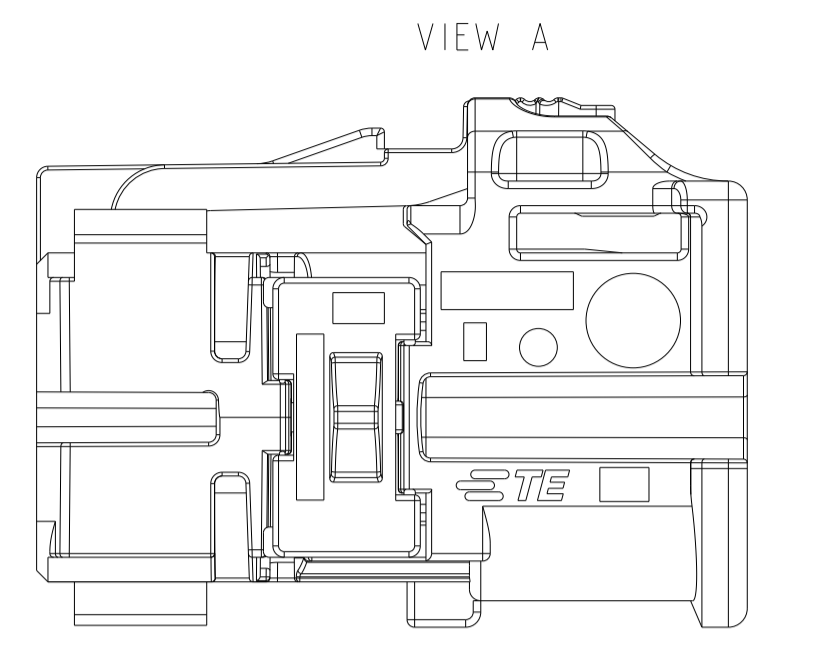
TE ORDER NO.	COD.	REV.	QTY.	DESCRIPTION	MATERIAL	COLOR / SIMILAR RAL	WEIGHT (g)	POS.
2298721-9	Z	C	2	RETAINER	PA66-GF	TRAFFIC PURPLE / 4006	1.1	2
			1	HOUSING	PA66-GF	WATER BLUE / 5021		1
2298721-6	F	C	2	RETAINER	PA66-GF	TRAFFIC PURPLE / 4006	1.1	2
			1	HOUSING	PA66-GF	NUT BROWN / 8011		1
2298721-5	E	C	2	RETAINER	PA66-GF	TRAFFIC PURPLE / 4006	1.1	2
			1	HOUSING	PA66-GF	MAY GREEN / 6017		1
2298721-4	D	C	2	RETAINER	PA66-GF	TRAFFIC PURPLE / 4006	1.1	2
			1	HOUSING	PA66-GF	CLARET VIOLET / 4004		1
2298721-3	C	C	2	RETAINER	PA66-GF	TRAFFIC PURPLE / 4006	1.1	2
			1	HOUSING	PA66-GF	LIGHT BLUE / 5012		1
2298721-2	B	C	2	RETAINER	PA66-GF	TRAFFIC PURPLE / 4006	1.1	2
			1	HOUSING	PA66-GF	PURE WHITE / 9010		1
2298721-1	A	C	2	RETAINER	PA66-GF	TRAFFIC PURPLE / 4006	1.1	2
			1	HOUSING	PA66-GF	JET BLACK / 9005		1

THIS DRAWING IS A CONTROLLED DOCUMENT.		OWN: 03 OCT 2016 G. van de Burch C. Schrettlinger	APVD: 19 OCT 2016	NAME: 4 POS. MATE-AX, SOC HSG ASSY, 180 DEG 4 pol. MATE-AX, Buchsengeh Zsb, 180 Grad
DIMENSIONS: mm	TOLERANCES UNLESS OTHERWISE SPECIFIED:	0 PLC ±0.2 1 PLC ±0.2 2 PLC ±0.2 3 PLC ±0.2 4 PLC ±0.2 ANGLES ±°	PRODUCT SPEC: 108-94709 APPLICATION SPEC: 114-94468	SIZE: A1 CAGE CODE: - DRAWING NO: C=2298721
MATERIAL: SEE TABLE siehe Tabelle	FINISH: -	WEIGHT: -	CUSTOMER DRAWING	RESTRICTED TO: - SCALE: 5:1 SHEET: 1 OF 3 REV: C5

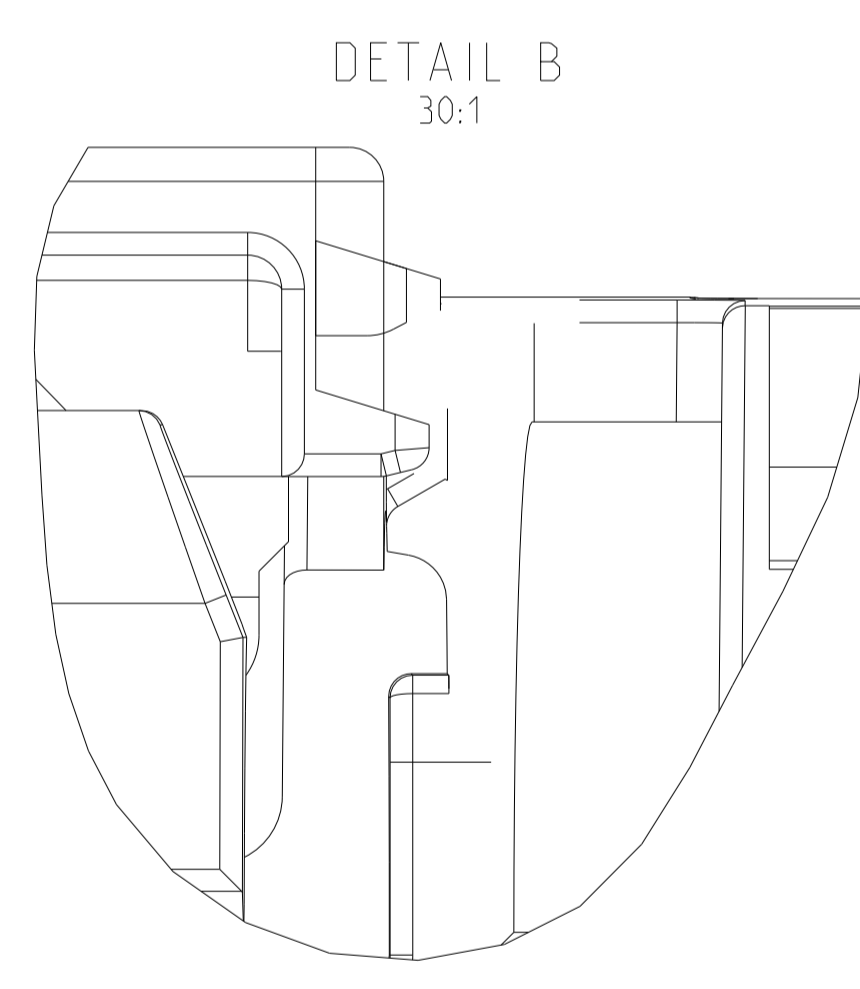


REVISIONS				
P.	LTN	DESCRIPTION	DATE	APVD
-	-	SEE SHEET 1	-	-

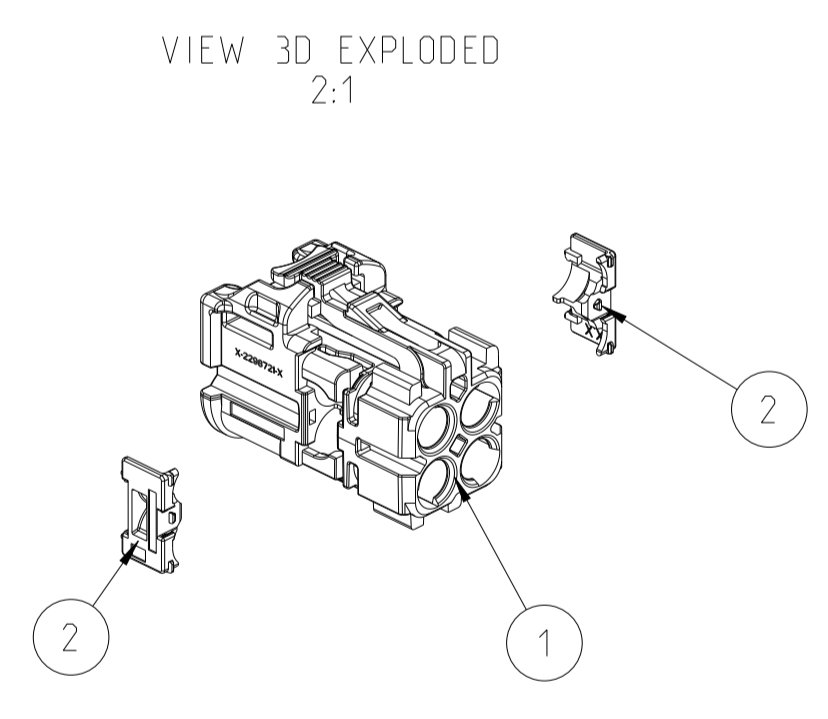
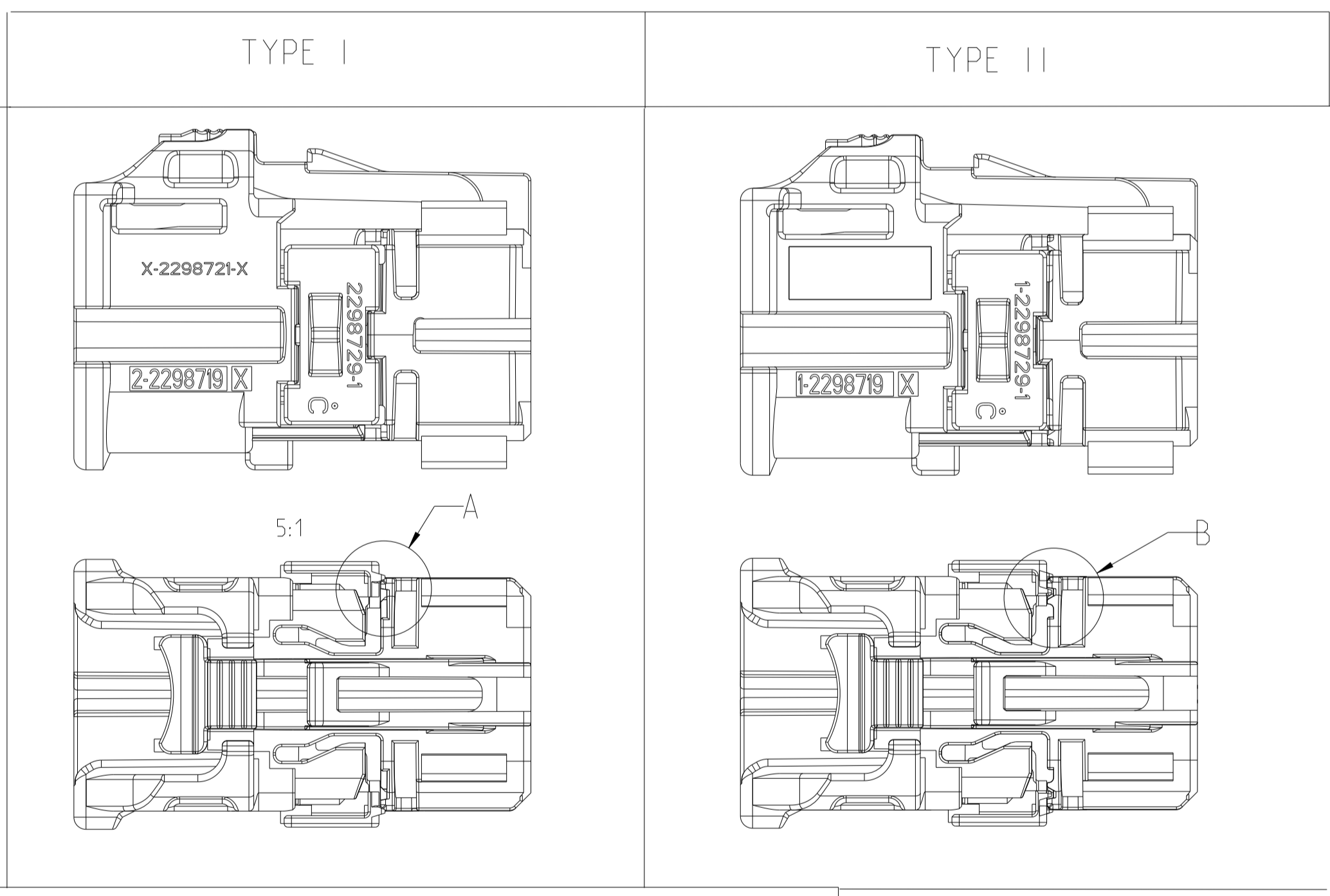
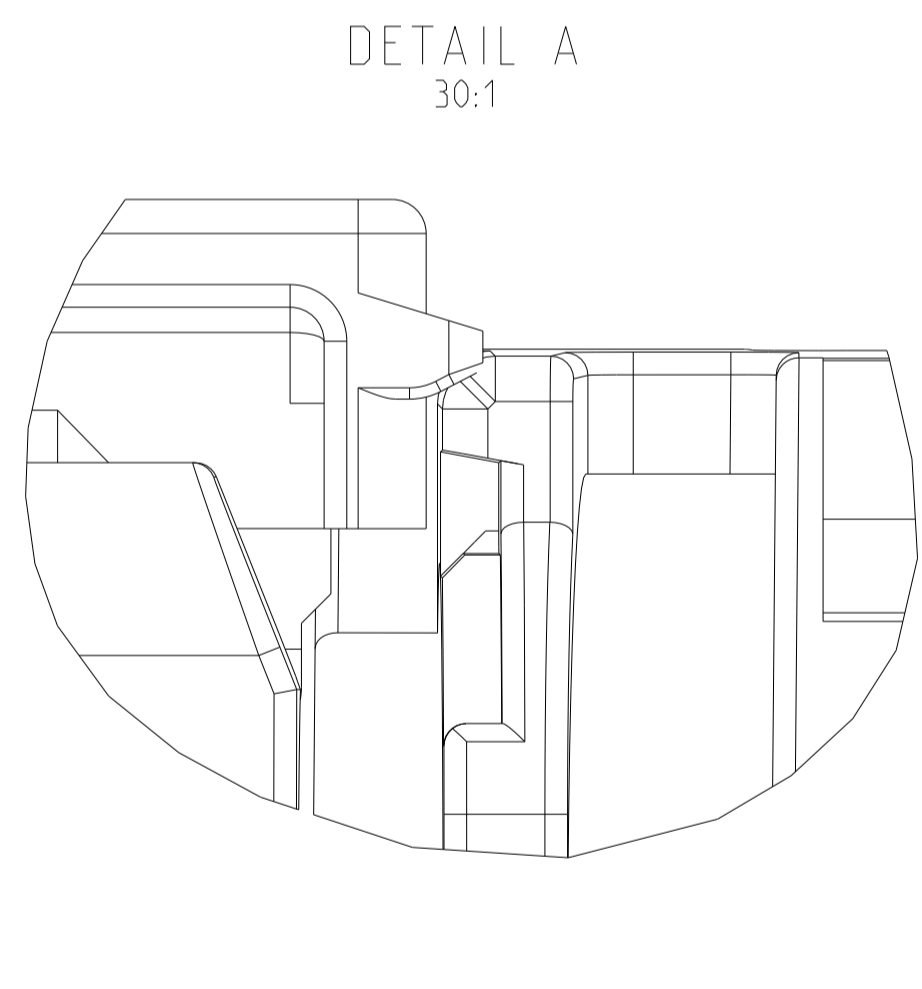


TE ORDER NO. 1-2298721-1 CODING A AS SHOWN  
 TE-Bestellnummer 1-2298721-1 Kodierung A wie dargestellt

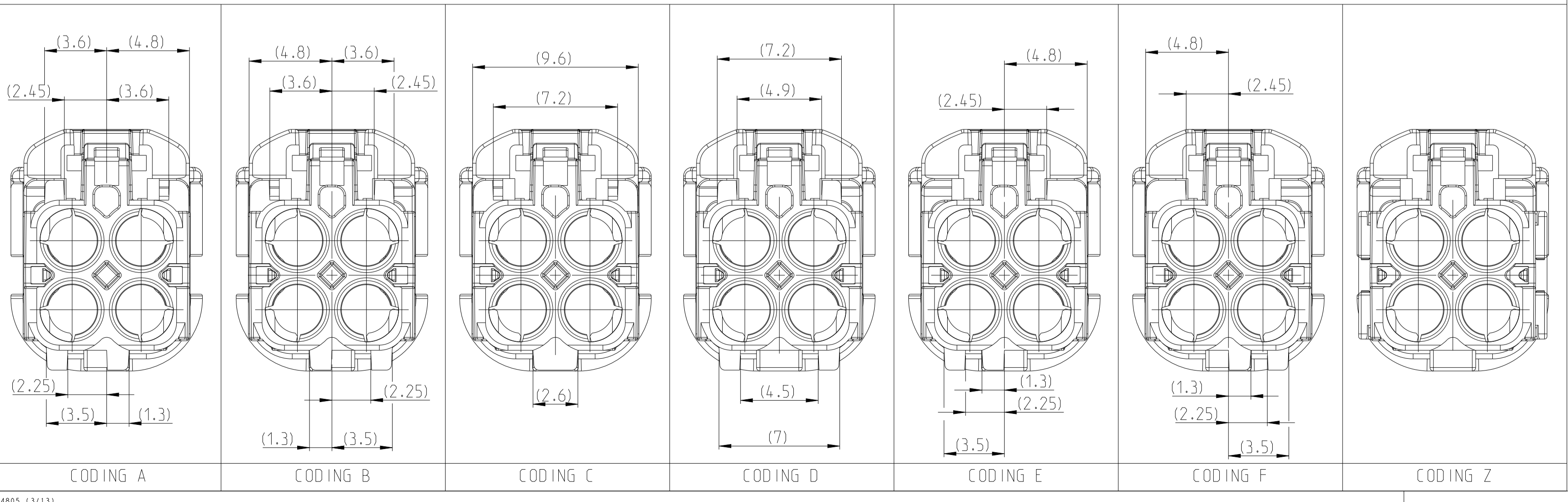
TPA LOCKING TYPE II



TPA LOCKING TYPE I



CODING VIEW, PLUG SIDE, SIMILARITY AS  
 Gehäuse, Steckseite, Darstellung der Kodierungen nur ähnelich  
 VIEW 5:1



TE ORDER NO.	COD.	REV.	QTY.	DESCRIPTION	MATERIAL	COLOUR / SIMILAR RAL	WEIGHT (g)	POS.
1-2298721-9	Z	C	2	RETAINER	PA66-GF	TRAFFIC PURPLE / 4006	1.07	2
			1	HOUSING	PA66-GF	WATER BLUE / 5021	1.07	1
1-2298721-6	F	C	2	RETAINER	PA66-GF	TRAFFIC PURPLE / 4006	1.07	2
			1	HOUSING	PA66-GF	NUT BROWN / 8011	1.07	1
1-2298721-5	E	C	2	RETAINER	PA66-GF	TRAFFIC PURPLE / 4006	1.07	2
			1	HOUSING	PA66-GF	MAY GREEN / 6017	1.07	1
1-2298721-4	D	C	2	RETAINER	PA66-GF	TRAFFIC PURPLE / 4006	1.07	2
			1	HOUSING	PA66-GF	CLARET VIOLET / 4004	1.07	1
1-2298721-3	C	C	2	RETAINER	PA66-GF	TRAFFIC PURPLE / 4006	1.07	2
			1	HOUSING	PA66-GF	LIGHT BLUE / 5012	1.07	1
1-2298721-2	B	C	2	RETAINER	PA66-GF	TRAFFIC PURPLE / 4006	1.07	2
			1	HOUSING	PA66-GF	PURE WHITE / 9010	1.07	1
1-2298721-1	A	C	2	RETAINER	PA66-GF	TRAFFIC PURPLE / 4006	1.07	2
			1	HOUSING	PA66-GF	JET BLACK / 9005	1.07	1

THIS DRAWING IS A CONTROLLED DOCUMENT. DWG: G. van de Burch 03/01/2016  
 CHK: C. Schrettlinger 17/01/2016  
 APVD: W. Mueller 21/01/2016

DIMENSIONS: mm  
 TOLERANCES UNLESS OTHERWISE SPECIFIED:  
 0 PLC ±0.2  
 1 PLC ±0.2  
 2 PLC ±0.2  
 3 PLC ±0.2  
 4 PLC ±0.2  
 ANGLES ±°

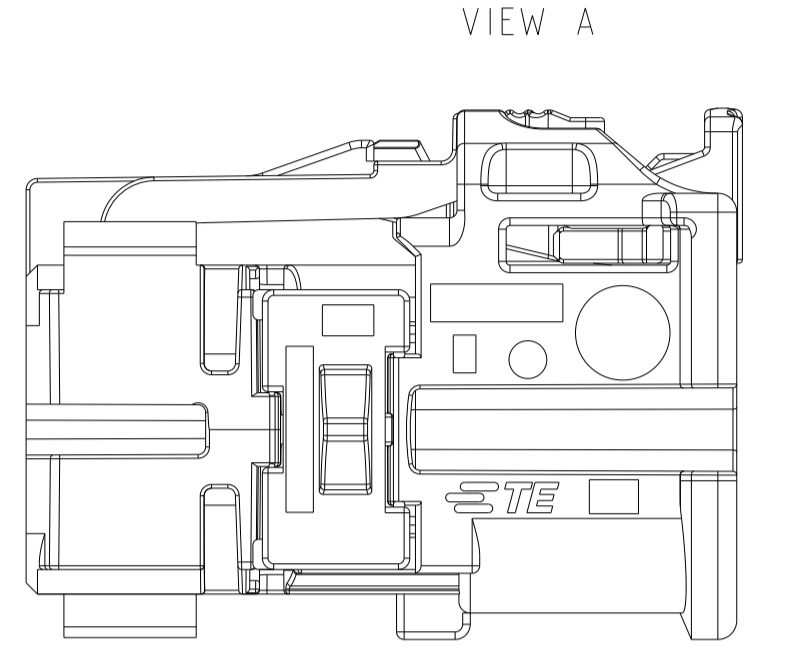
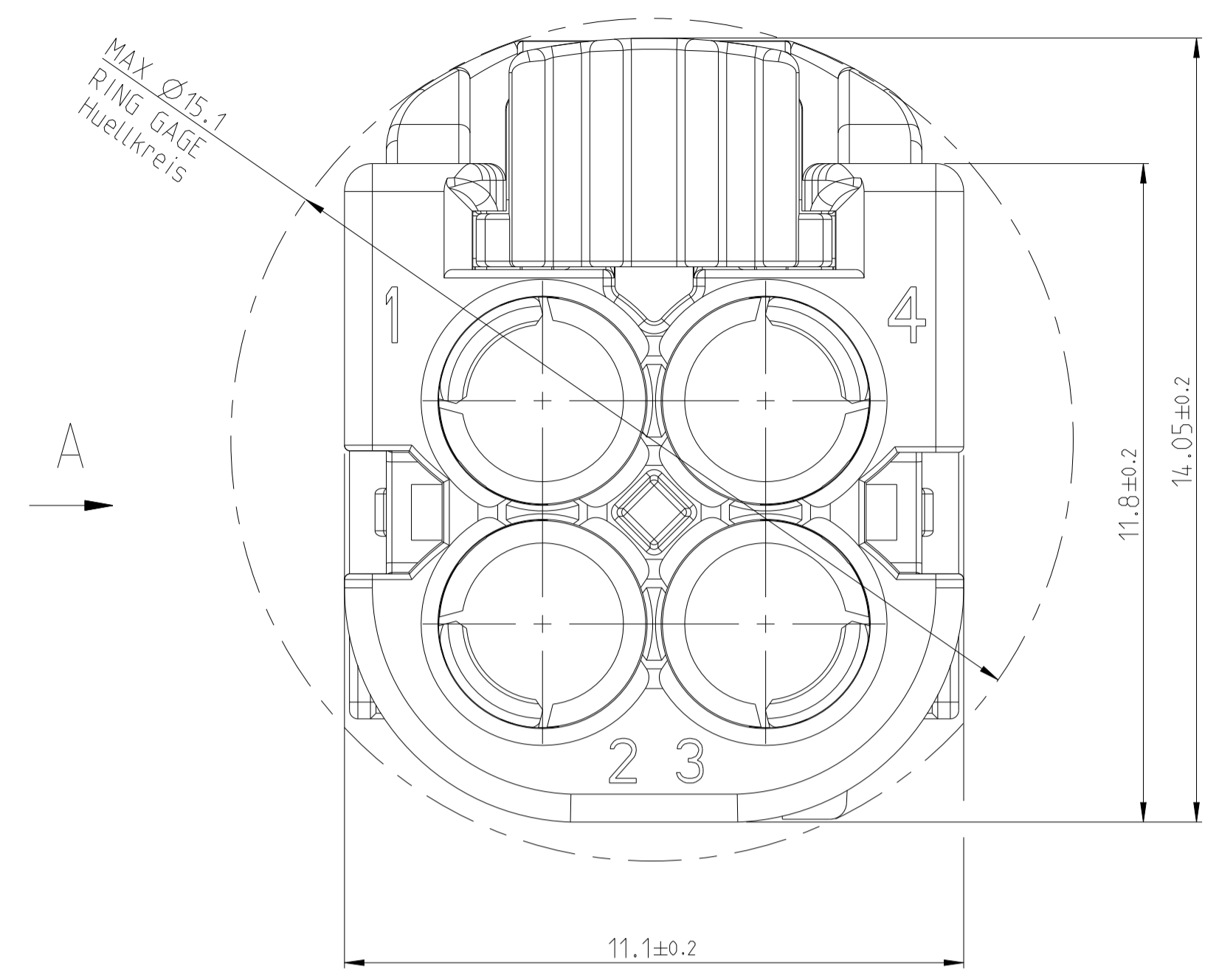
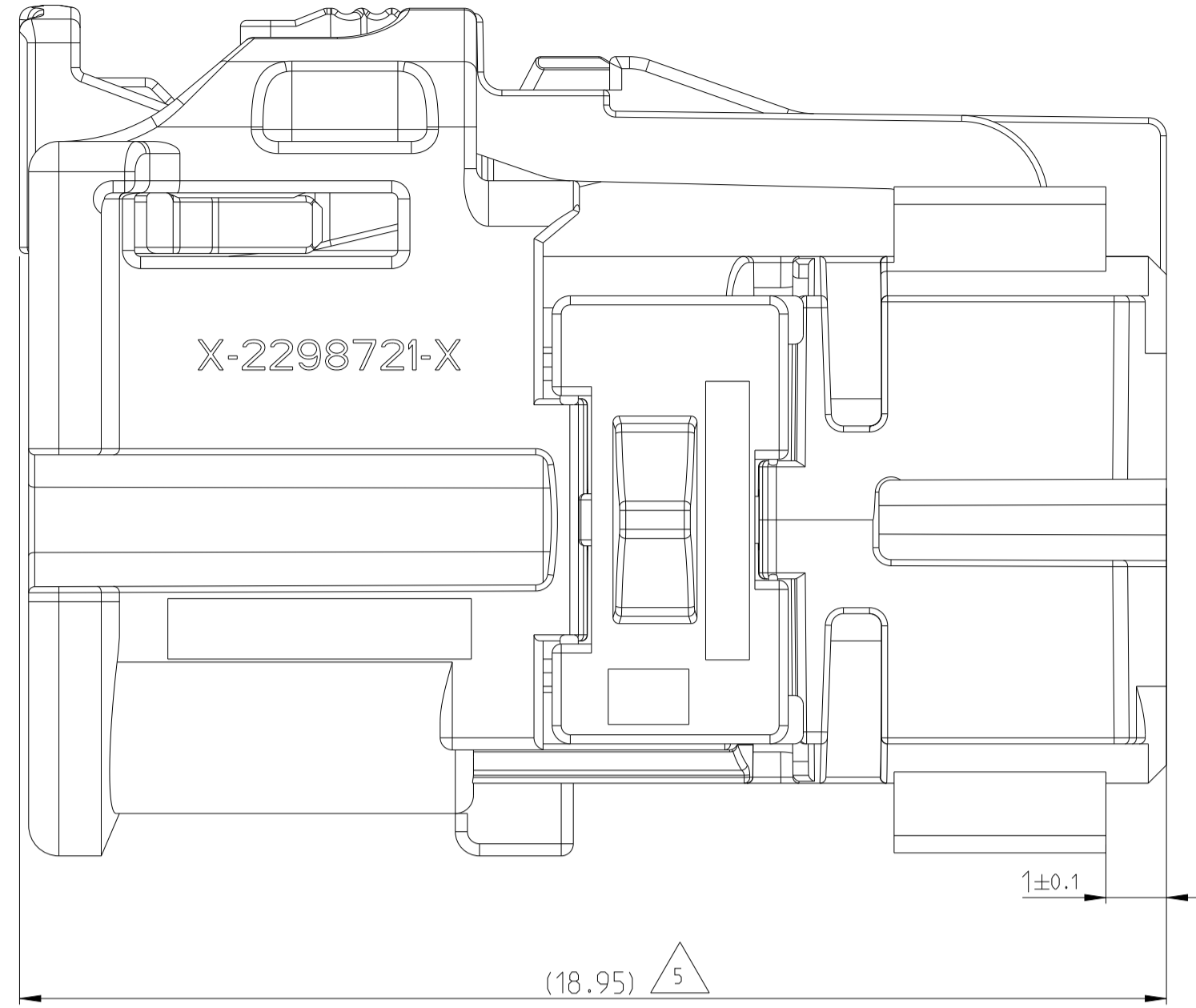
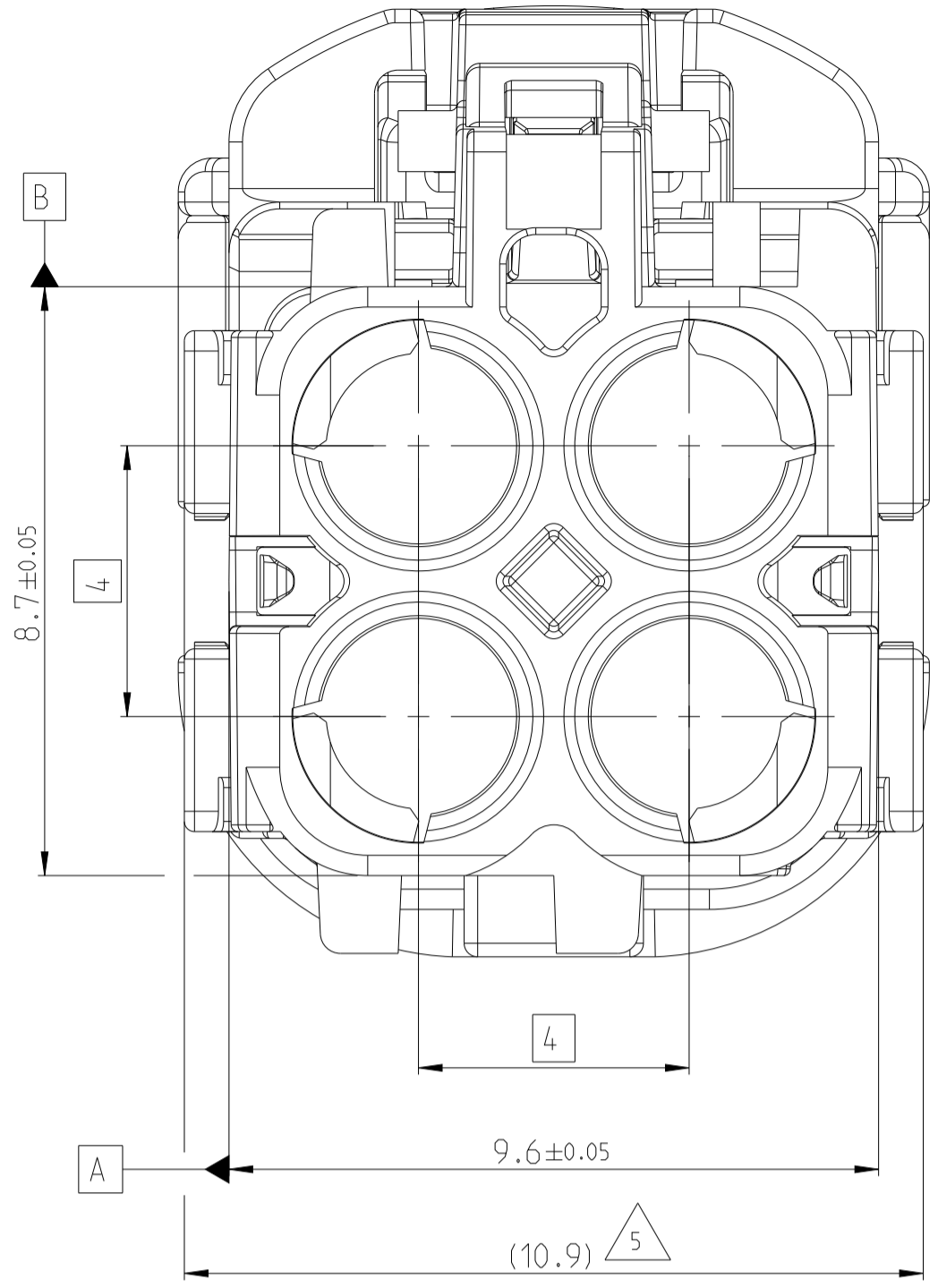
MATERIAL: SEE TABLE  
 SEE TABLE

NAME: 4POS.MATE-AX.SOC HSG ASSY.180DEG  
 4pol.MATE-AX.Buchsengeh Zsb.180Grad

SIZE: A1  
 CAGE CODE: -  
 DRAWING NO: C=2298721

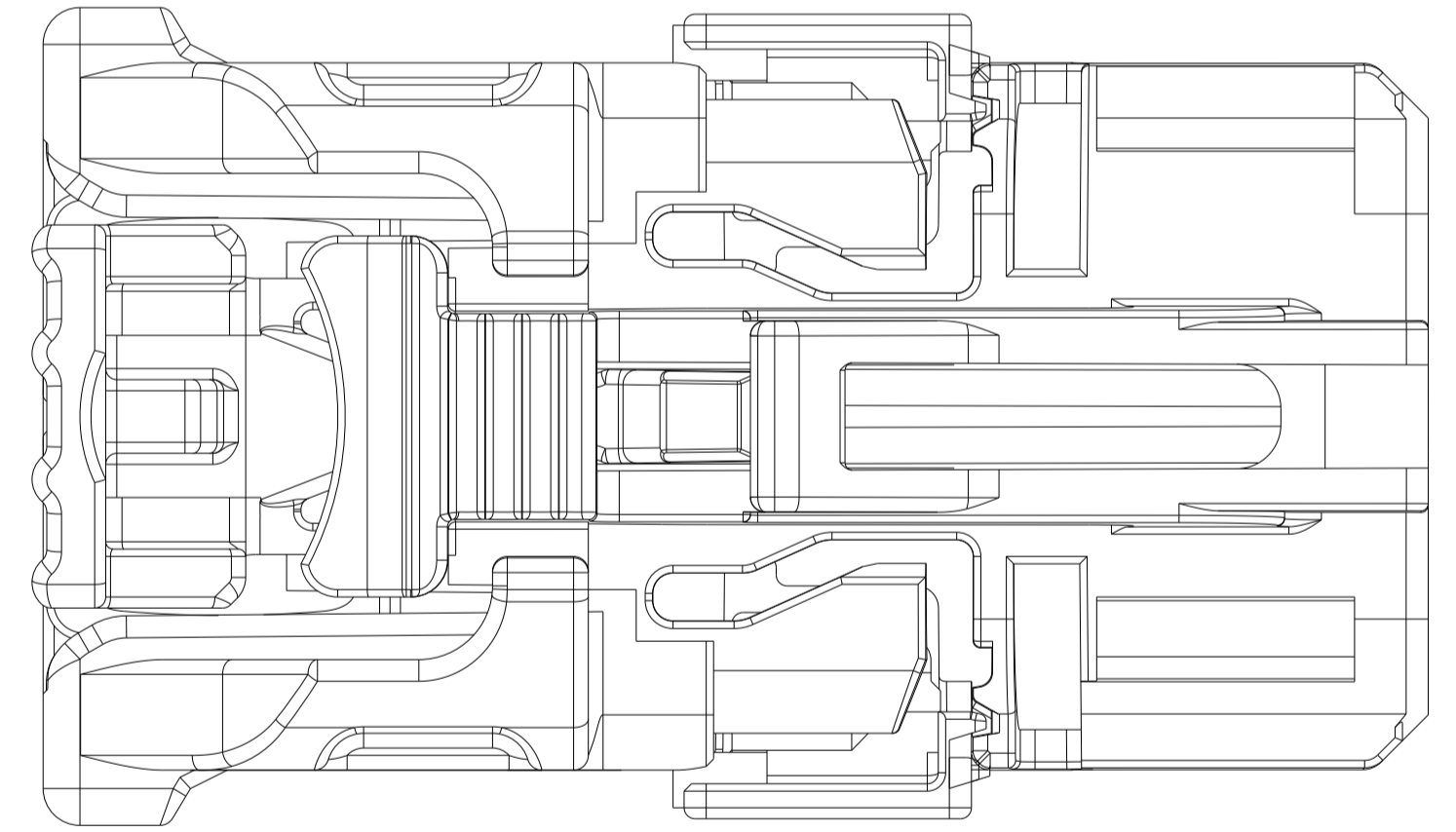
RESTRICTED TO: -  
 SCALE: 5:1  
 SHEET: 2 OF 3  
 REV: C5

REVISIONS				
REV.	DATE	BY	APPV.	DESCRIPTION
-	-	-	-	SEE SHEET 1

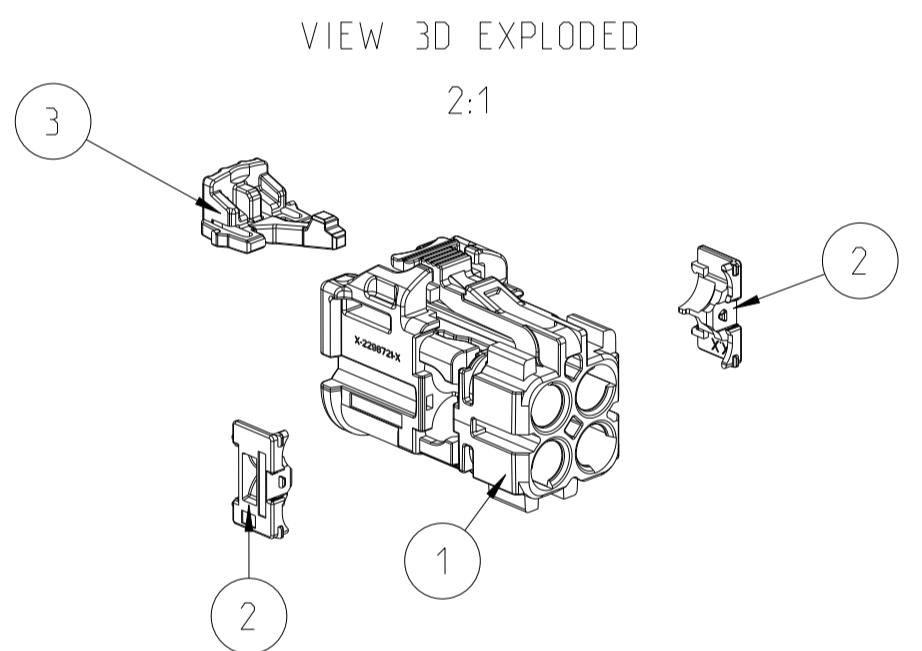
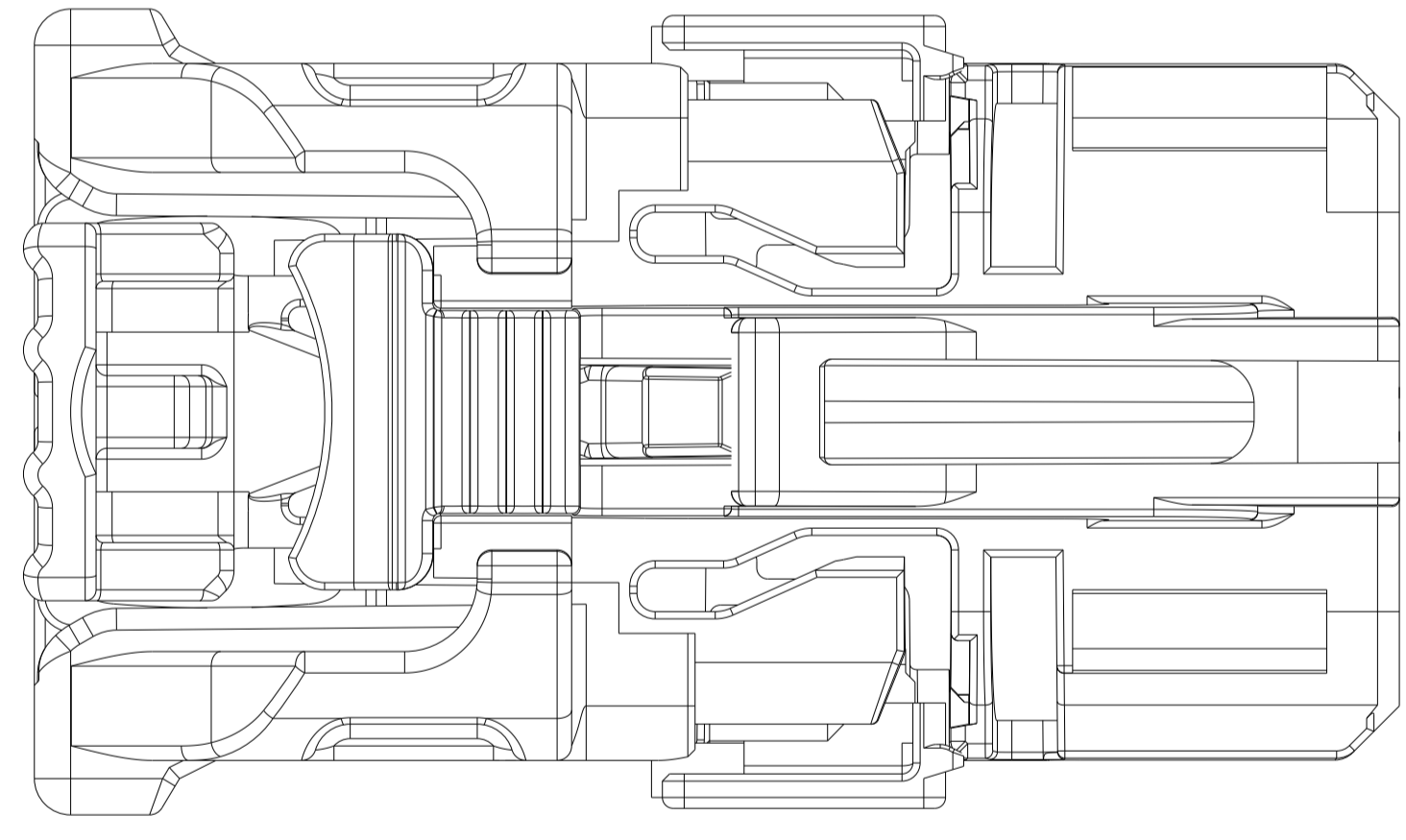


TE ORDER NO. 2-2298721-1 CODING A AS SHOWN  
 TE-Bestellnummer 2-2298721-1 Kodierung A wie dargestellt

TPA LOCKING TYPE II, FOR MORE DETAILS SEE PAGE 2

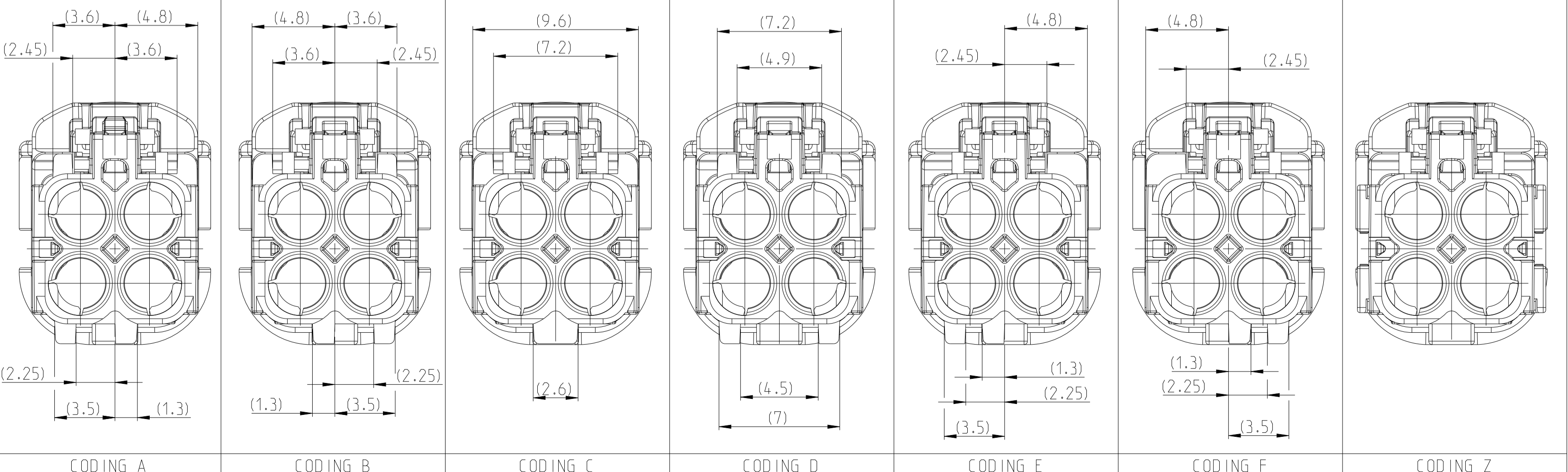


TPA LOCKING TYPE I, FOR MORE DETAILS SEE PAGE 2



RETAINER IN FINAL LOCKING POSITION  
 Sekundaersicherung in Endraststellung

CODING VIEW, PLUG SIDE, SIMILARITY AS  
 Gehaeuse, Steckseite, Darstellung der Kodierungen nur aehnlich  
 VIEW 5:1



TE ORDER NO.	COD.	REV.	QTY.	DESCRIPTION	MATERIAL	COLOR / SIMILAR RAL	WEIGHT [g]	POS.
2-2298721-9	Z	C	1	CPA	PA66-GF	RED/3020	1.18	3
			2	RETAINER	PA66-GF	TRAFFIC PURPLE / 4006		2
2-2298721-6	F	C	1	HOUSING	PA66-GF	WATER BLUE / 5021	1.18	1
			2	RETAINER	PA66-GF	TRAFFIC PURPLE / 4006		2
			1	HOUSING	PA66-GF	NUT BROWN / 8011		1
2-2298721-5	E	C	1	CPA	PA66-GF	RED/3020	1.18	3
			2	RETAINER	PA66-GF	TRAFFIC PURPLE / 4006		2
2-2298721-4	D	C	1	HOUSING	PA66-GF	MAY GREEN / 6017	1.18	1
			2	RETAINER	PA66-GF	TRAFFIC PURPLE / 4006		2
2-2298721-3	C	C	1	CPA	PA66-GF	RED/3020	1.18	3
			2	RETAINER	PA66-GF	TRAFFIC PURPLE / 4006		2
2-2298721-2	B	C	1	HOUSING	PA66-GF	LIGHT BLUE / 5012	1.18	1
			2	RETAINER	PA66-GF	TRAFFIC PURPLE / 4006		2
2-2298721-1	A	C	1	CPA	PA66-GF	RED/3020	1.18	3
			2	RETAINER	PA66-GF	TRAFFIC PURPLE / 4006		2
			1	HOUSING	PA66-GF	JET BLACK / 9005		1

THIS DRAWING IS A CONTROLLED DOCUMENT.		OWN: G. van de Burch CHK: C. Schrettlinger	DATE: 03 OCT 2016
DIMENSIONS: mm	TOLERANCES UNLESS OTHERWISE SPECIFIED:	NAME: 4POS.MATE-AX.SOC HSG ASSY.180DEG 4pol.MATE-AX.Buchsengeh Zsb.180Grad	PRODUCT SPEC: 108-94709
MATERIAL: SEE TABLE siehe Tabelle	FINISH: -	SIZE: A1	CAGE CODE: -
CUSTOMER DRAWING		DRAWING NO: C=2298721	RESTRICTED TO: -
SCALE: 5:1		SHEET: 3 OF 3	REV: C5