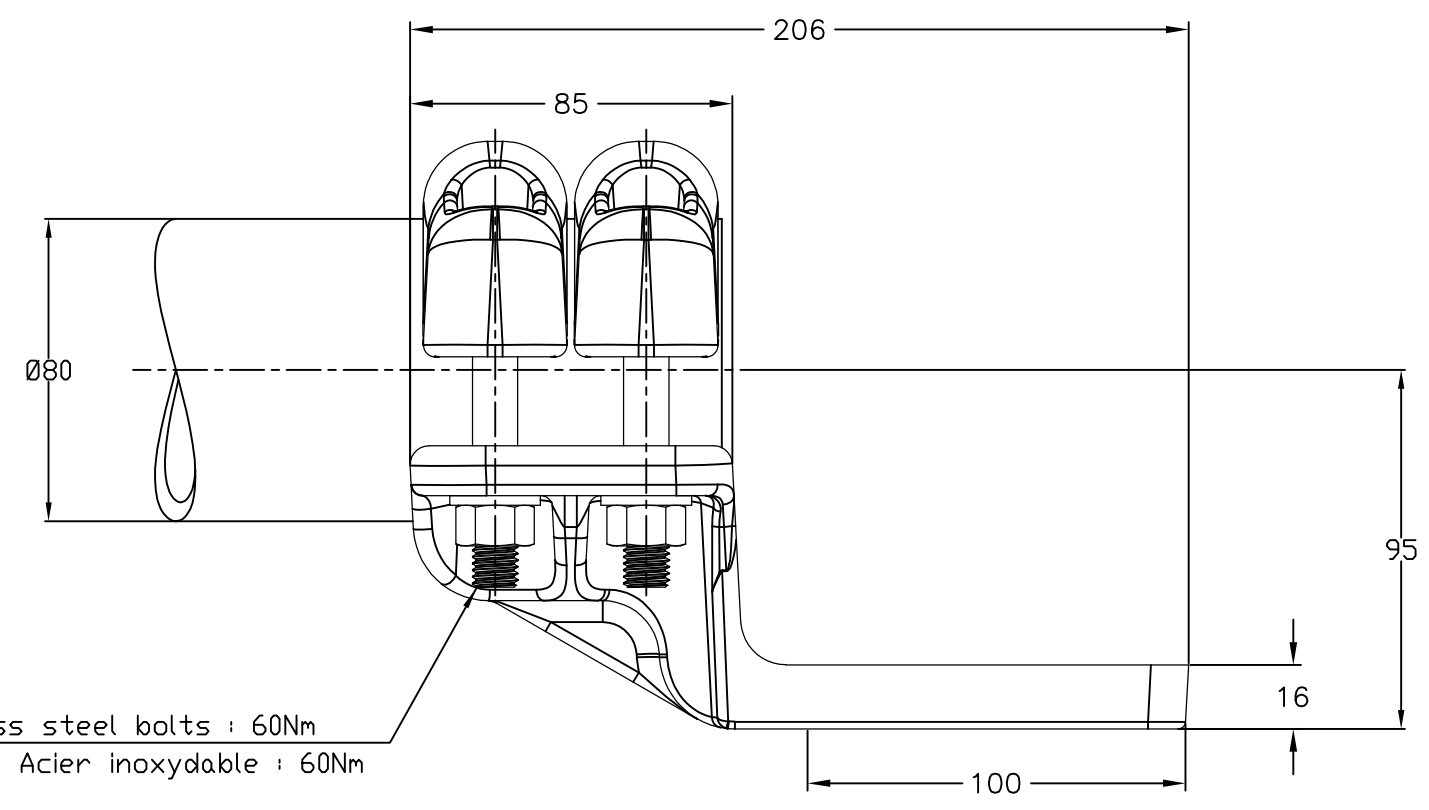
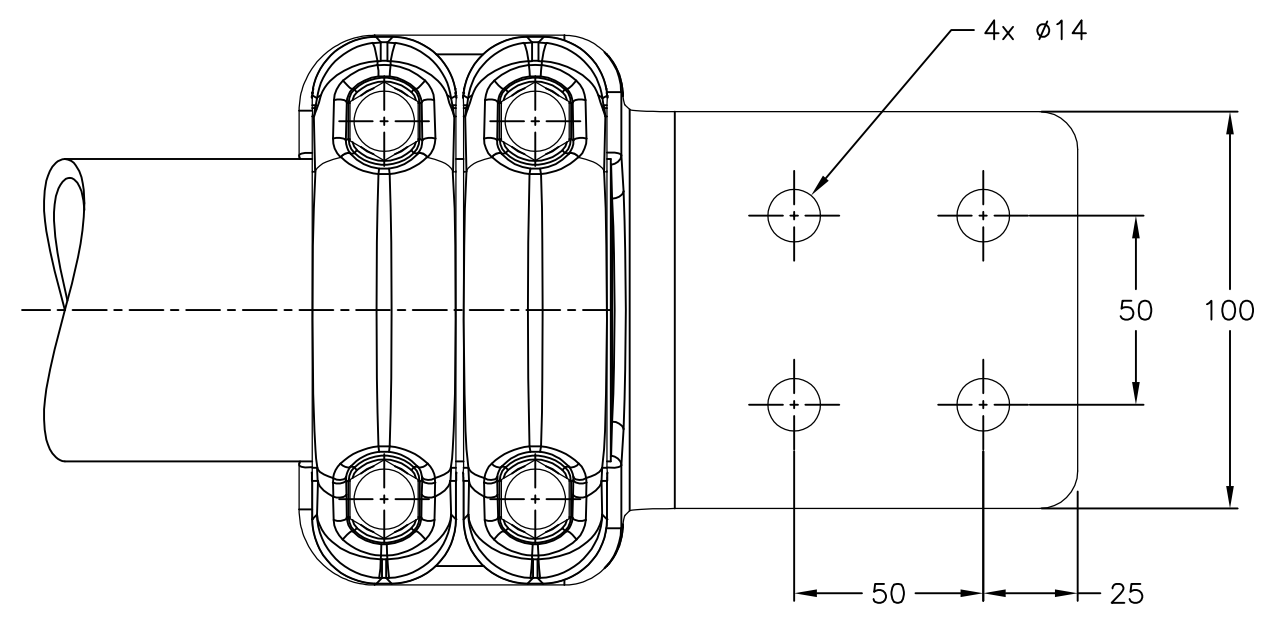
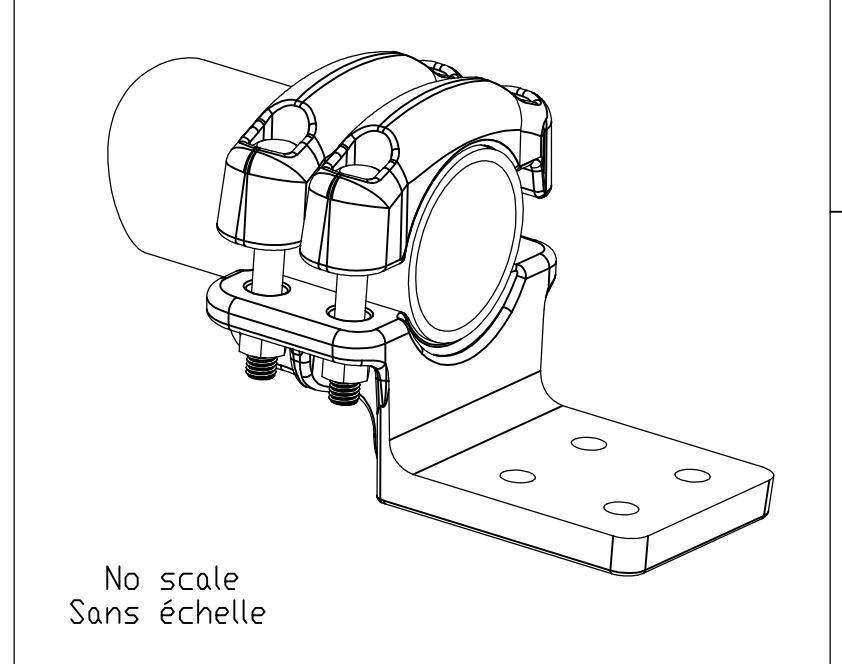


THIS DRAWING IS UNPUBLISHED.  
 DIFFUSION RESTREINTE  
 © COPYRIGHT 2011 by Tyco Electronics Corporation  
 ALL RIGHTS RESERVED.  
 TOUS DROITS RESERVES

LOC	DIST	REVISIONS			
P	LTR REV	DESCRIPTION MODIFICATIONS	DATE	DWN DESS	APVD APPR
-	-	A	CREATION	10-Nov-15	JG -
		B	UPDATED DRAWING	02-Mar-16	PG -



M12 Stainless steel bolts : 60Nm  
 Boulons M12 Acier inoxydable : 60Nm



ITEM: .....

THIS DRAWING IS A CONTROLLED DOCUMENT. <small>CE PLAN EST UN DOCUMENT CONTROLÉ PAR TYCO ELECTRONICS CORPORATION. IL EST SUSCEPTIBLE D'ÊTRE RÉVISÉ. POUR OBTENIR LA DERNIÈRE RÉVISION, CONTACTER LE SERVICE TECHNIQUE DE TYCO ELECTRONICS SIMEL SAS, 21220 GÉVREY-CHAMBERTIN, FRANCE.</small>		DWN /DESSINE GODARD 10-Nov-15		<b>TE connectivity</b> SIMEL PRODUCTS	
DIMENSIONS: mm		TOLERANCES UNLESS OTHERWISE SPECIFIED PER TOLERANCES NON SPECIFIEES SELON : -			
		APVD/APPROUVE -		SIZE /FORMAT A3	
MATERIAL /MATIERE -		FINISH /FINITION -		CAGE CODE 00779	
		WEIGHT /MASSE APPROX. 2.3 kg		DRAWING NO /No PLAN C-2297814	
CUSTOMER DRAWING /PLAN CLIENT				UNIQUEMENT /POUR REFERENCE	
		SCALE /ECHELLE 1/2		SHEET /FEUILLE 1 OF 1	
				RESTRICTED TO RESERVE A -	
				REV B	