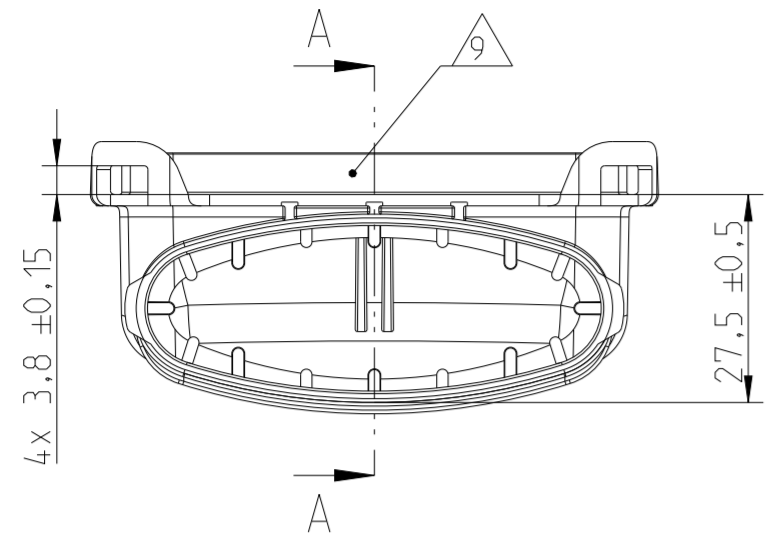
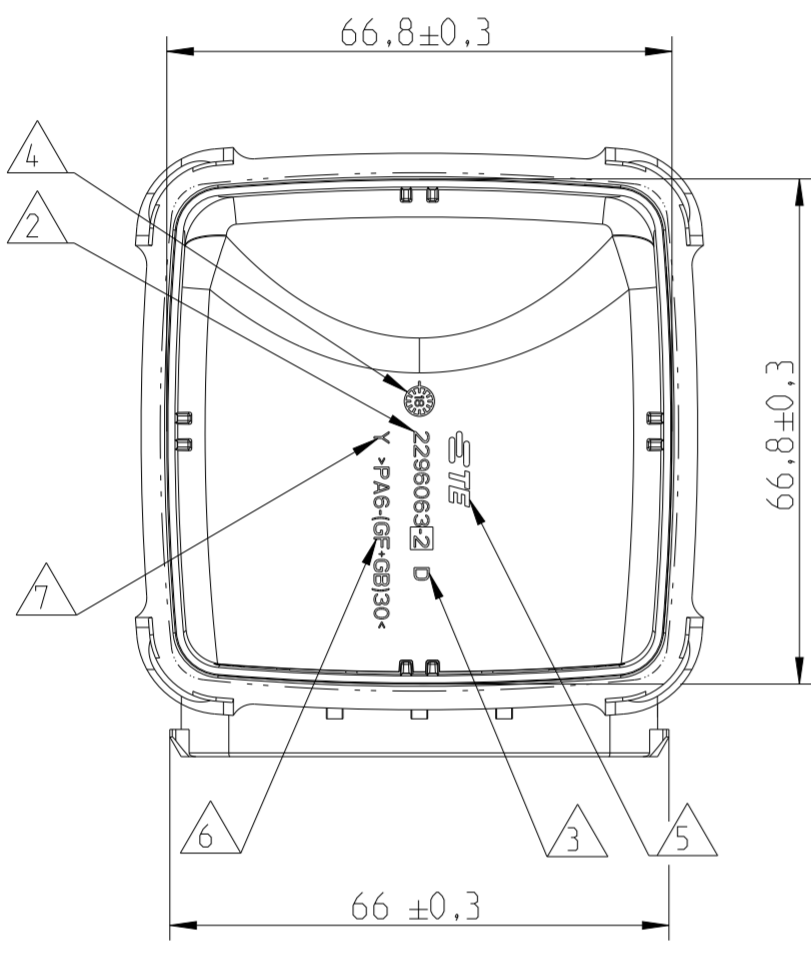
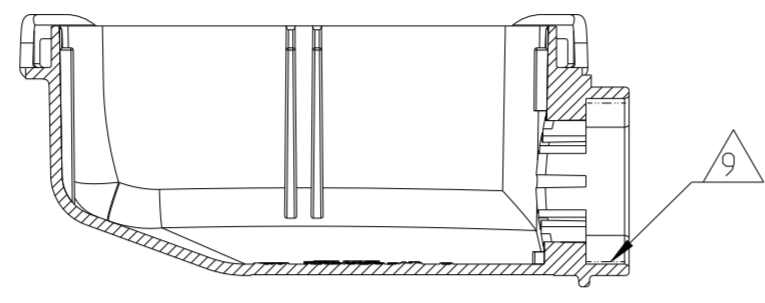


THIS DRAWING IS UNPUBLISHED. RELEASED FOR PUBLICATION
 © COPYRIGHT copyright_date BY - ALL RIGHTS RESERVED.

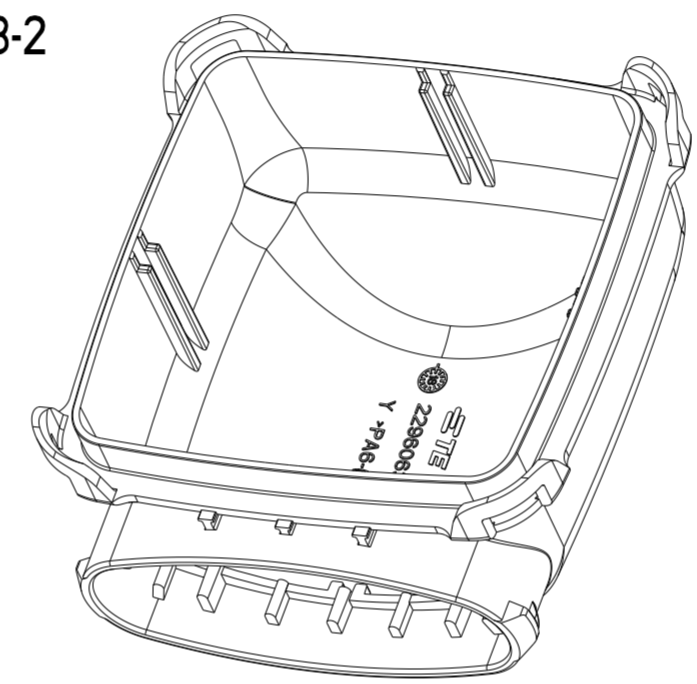
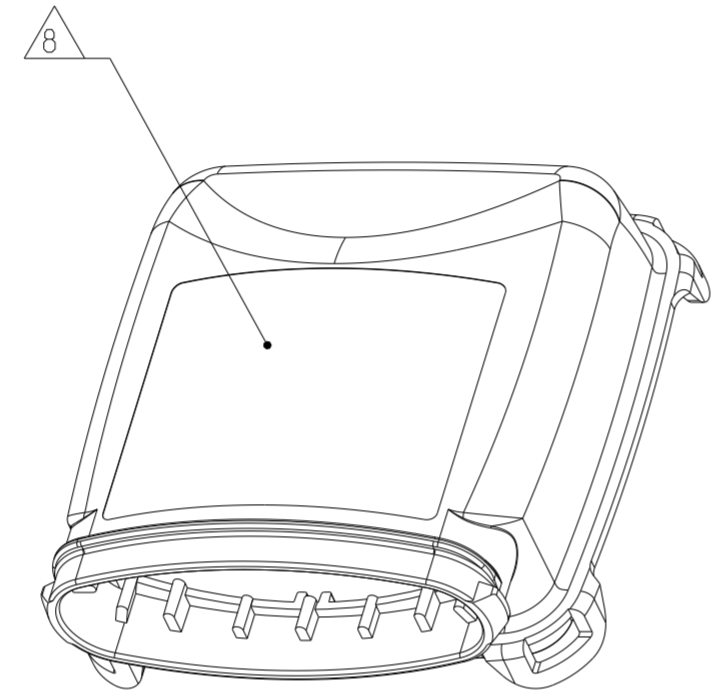
REVISIONS					
P	LTR	DESCRIPTION	DATE	DWN	APVD
	D	MODEL REPLACED WITH 2296063-2.NEW VARIANT			
		1-2296063-2 ADDED AND NOTES UPDATED	18JUN2018	SGS	FW I
	D1	NEW VARIANT 5-2296063-2 ADDED	27MAY2020	RC	SK
	D2	NEW VARIANTS ADDED	13FEB2023	VR	JN



A-A



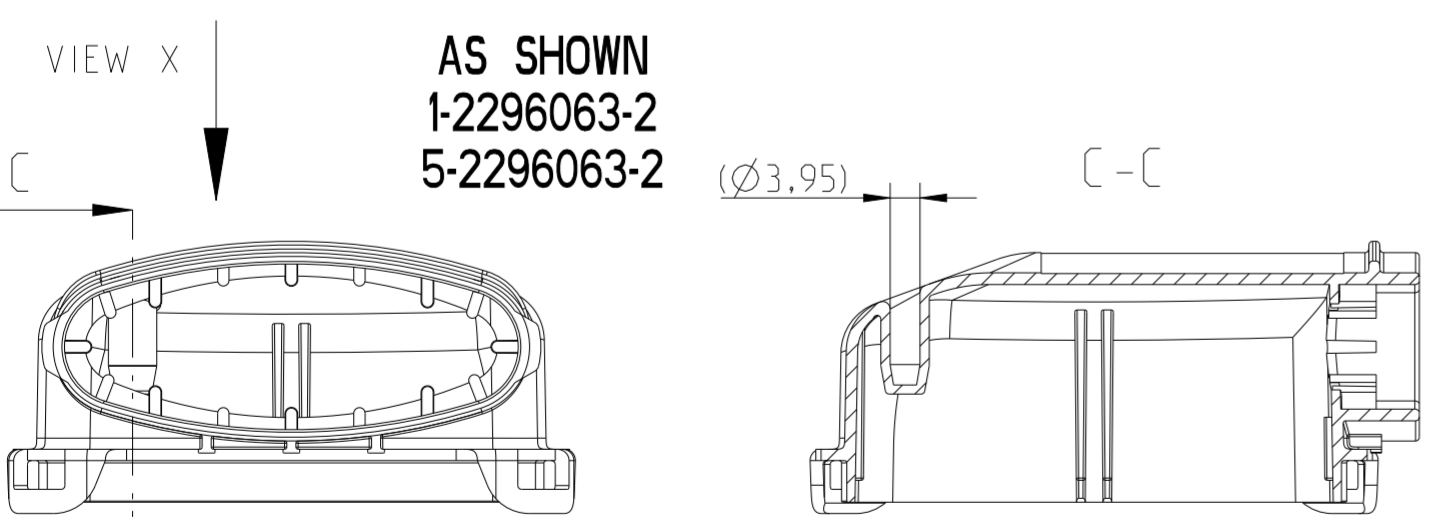
AS SHOWN
2296063-2



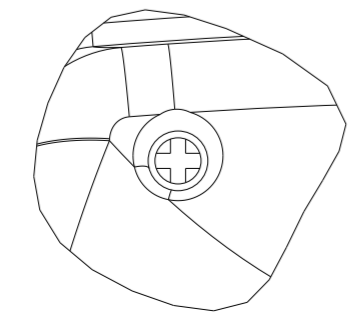
NOTES

- 1 CHARACTERS AS SHOWN, RAISED 0.2
- 2 TE PART NUMBER
- 3 PART REVISION
- 4 PRODUCTION DATE WITH DATE INSERT MONTH/YEAR
- 5 TE-TRADEMARK
- 6 MATERIAL MARKING
- 7 CAVITY MARKING
- 8 FACE FOR APPLYING STICKER
- 9 SEALING SURFACE. NO DAMAGE OR BURRS ALLOWED
- 10 LAYER PACKAGING IN CORRUGATED SHIPPING BOX

D2	5-2296063-3	A	CABLE EXIT, RECT 90DEG Kabelabgang 90DEG	PA6 GF10+GB20	25.5	BLACK
D2	4-2296063-2	A	CABLE EXIT, RECT 90DEG Kabelabgang 90DEG	PA6 GF10+GB20	25.5	BLACK
	5-2296063-2	D	CABLE EXIT, RECT 90DEG Kabelabgang 90DEG	PA6 GF10+GB20	25.5	BLACK
	1-2296063-2	D	CABLE EXIT, RECT 90DEG Kabelabgang 90DEG	PA6 GF10+GB20	25.5	ORANGE SIM. RAL2003
	2296063-2	D	CABLE EXIT, RECT 90DEG Kabelabgang 90DEG	PA6 GF10+GB20	25.23	ORANGE SIM. RAL2003
	2296063-1	C	CABLE EXIT, RECT 90DEG Kabelabgang 90DEG	PA6 GF10+GB20	24.66	ORANGE SIM. RAL2003
TE-PART-NO.	REV	DESCRIPTION	MATERIAL	WEIGHT [g]	COLOUR	



VIEW X
2:1



THIS DRAWING IS A CONTROLLED DOCUMENT. DIMENSIONING AND TOLERANCING PER GPS (ISO STANDARDS).		DWN Vishwa A 21JUN2016	TE Connectivity		
DIMENSIONS: mm		CHK E. Wittrock 21JUN2016			
TOLERANCES UNLESS OTHERWISE SPECIFIED: DIN 16742 TG5		APVD F. Wittrock 21JUN2016	NAME CABLE EXIT, RECT 90DEG		
0-PLC ±		PRODUCT SPEC	SIZE A2		
1-PLC ±		APPLICATION SPEC	CAGE CODE -		
2-PLC ±		WEIGHT -	DRAWING NO C-2296063		
3-PLC ±		CUSTOMER DRAWING	RESTRICTED TO -		
4-PLC ±		SCALE 1:1	SHEET 1 OF 1		
ANGLES ±			REV D2		
FINISH -					