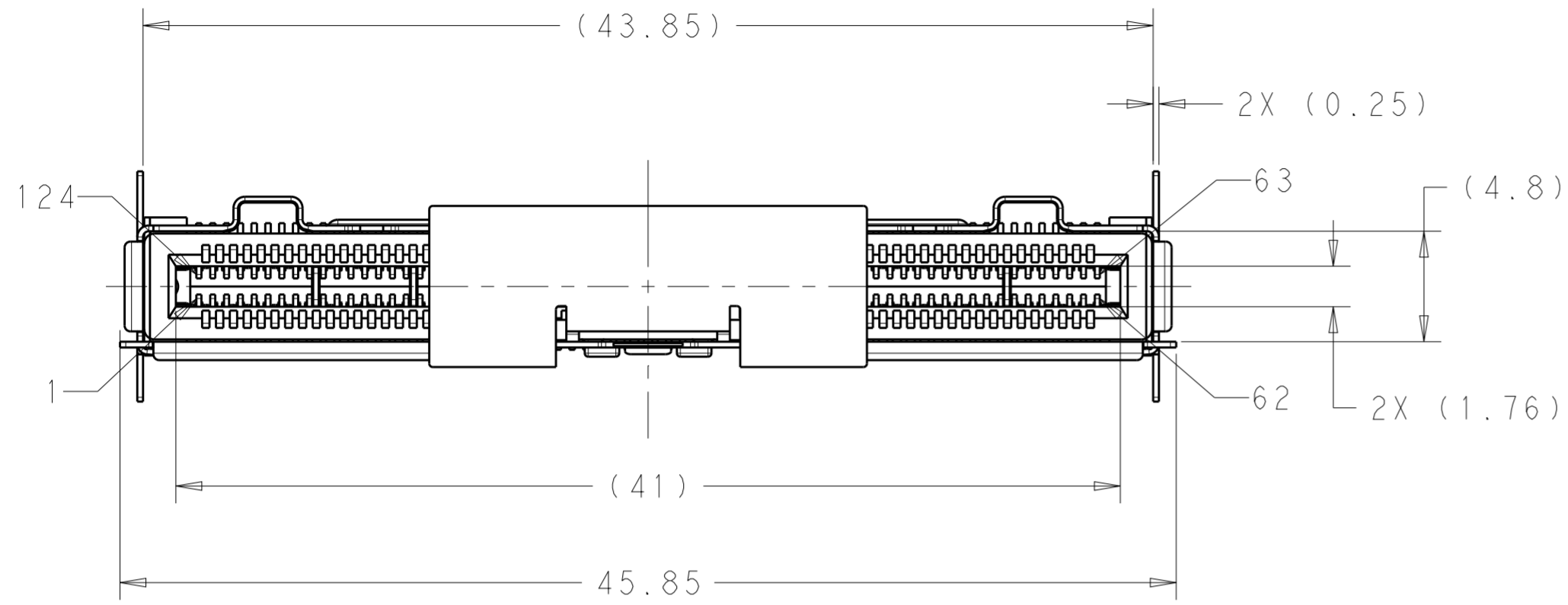
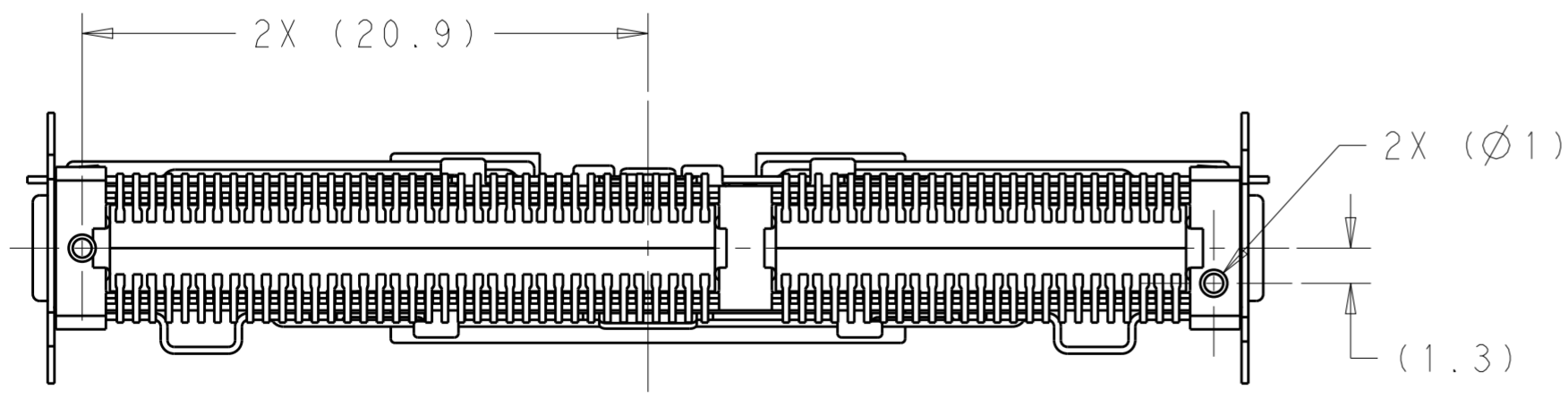
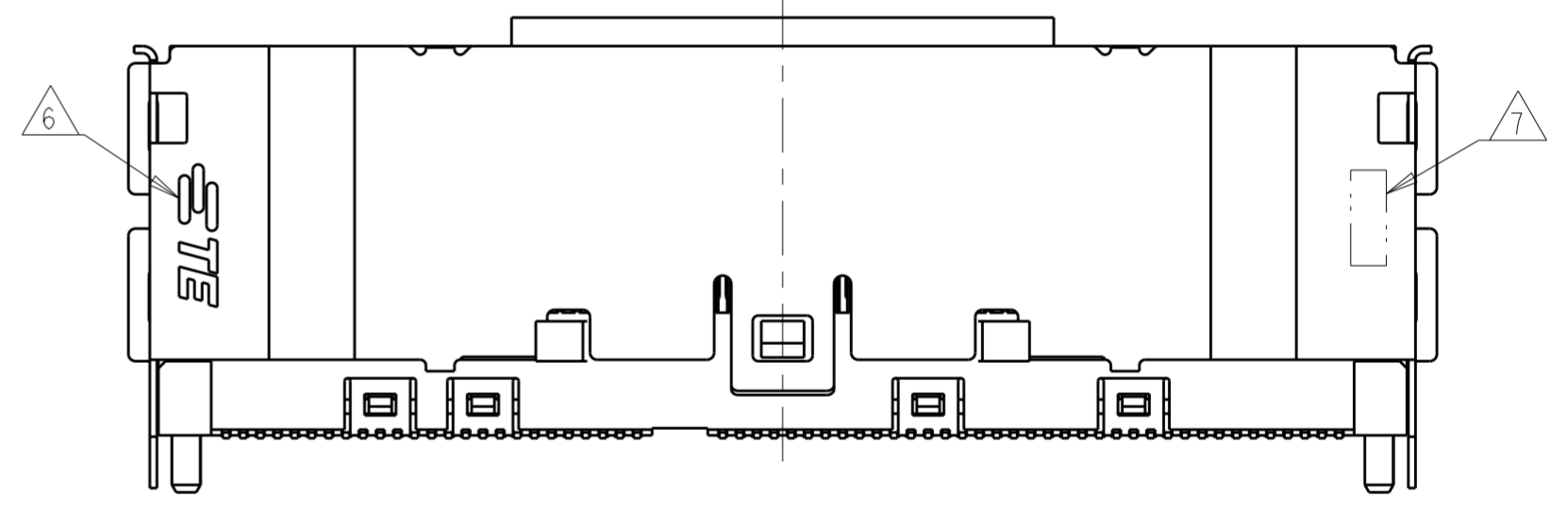
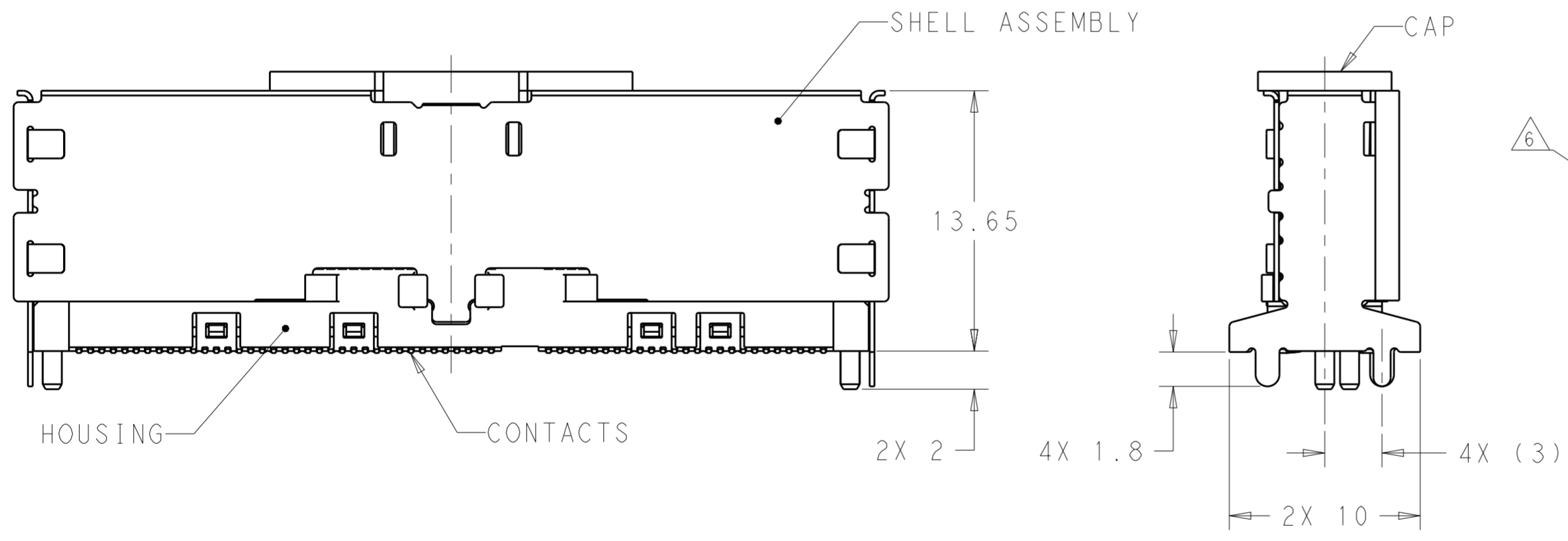


THIS DRAWING IS UNPUBLISHED. RELEASED FOR PUBLICATION 20
 © COPYRIGHT 20 BY - ALL RIGHTS RESERVED.

REVISIONS					
P	LTR	DESCRIPTION	DATE	DWN	APVD
5		UPDATED HOUSING, SHELL, ADDED SIDE VIEW	09JAN2017	MS	DH
6		UPDATED SHELL ASSEMBLY, CAP, PCB LAYOUT	31JAN2018	MS	MP
7		WAS (40.2) NOW (41), UPDATED CAP	02NOV2018	MS	NB



- ① HOUSING AND CONTACT OVERMOLD: LCP, BLACK.
CAP: LCP, BLACK.
CONTACTS: COPPER ALLOY.
SHELL ASSEMBLY: COPPER ALLOY, NICKEL PLATED.
TIN PLATED ON HOLD DOWNS.
- ② GOLD PLATED ON MATING INTERFACE. TIN PLATED ON SOLDER TAILS.
- ③ DATUM AND BASIC DIMENSION ESTABLISHED BY CUSTOMER.
- ④ DESIGNED FOR A 1.42 MIN THICK PC BOARD.
- ⑤ RECOMMENDED COMPONENT KEEP OUT AREA.
- ⑥ TE CONNECTIVITY LOGO MARKED IN APPROXIMATE AREA SHOWN.
- ⑦ PART NUMBER AND DATE CODE MARKED IN APPROXIMATE AREA SHOWN.



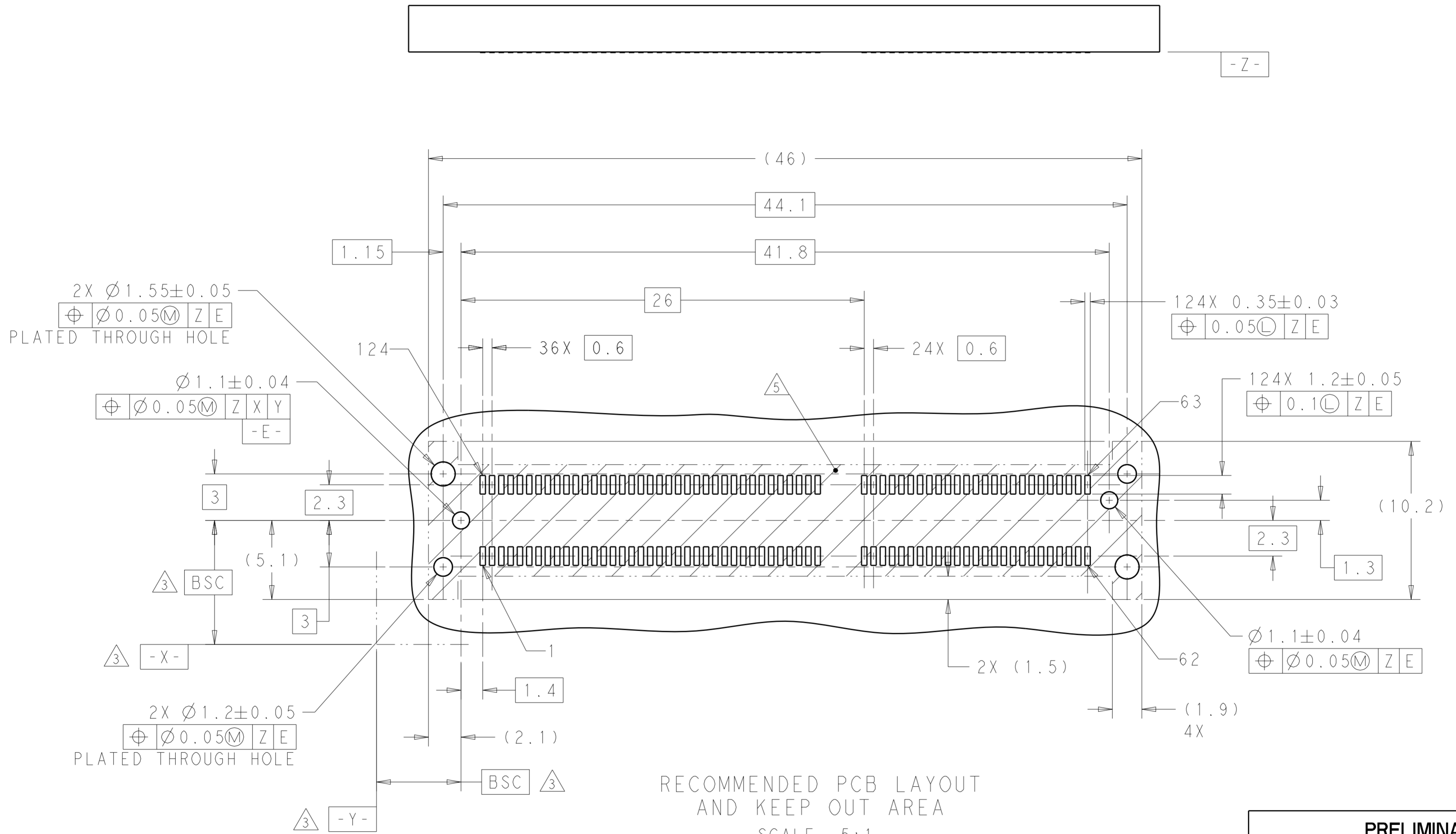
**PRELIMINARY
NOT RELEASED FOR PRODUCTION**

**THIS PRODUCT HAS NOT
COMPLETED VALIDATION AND
QUALIFICATION TESTING**

THIS DRAWING IS A CONTROLLED DOCUMENT.		DWN M. SHIRK 29 JUN 2015	WITHOUT CAP		2294036-2
DIMENSIONS: mm		CHK M. PHILLIPS 29 JUN 2015	WITH CAP		2294036-1
TOLERANCES UNLESS OTHERWISE SPECIFIED:		APVD -	REMARKS		PART NUMBER
0 PLC ±0.15		PRODUCT SPEC	TE Connectivity RECEPTACLE CONNECTOR, VERTICAL, 124 POSITION, SLIVER		
1 PLC ±0.15		APPLICATION SPEC			
2 PLC ±0.15		WEIGHT	SIZE	CAGE CODE	DRAWING NO
3 PLC ±		CUSTOMER DRAWING	A2	-	G-2294036
4 PLC ±		SCALE	4:1	SHEET	1 OF 3
ANGLES ±		RESTRICTED TO	REV 7		
FINISH					

THIS DRAWING IS UNPUBLISHED. RELEASED FOR PUBLICATION 20
 © COPYRIGHT 20 BY - ALL RIGHTS RESERVED.


REVISIONS				
P	LTR	DESCRIPTION	DATE	APVD
-		SEE SHEET 1	-	-



RECOMMENDED PCB LAYOUT
 AND KEEP OUT AREA
 SCALE 5:1

**PRELIMINARY
 NOT RELEASED FOR PRODUCTION**

**THIS PRODUCT HAS NOT
 COMPLETED VALIDATION AND
 QUALIFICATION TESTING**

THIS DRAWING IS A CONTROLLED DOCUMENT.		DWN M. SHIRK 29 JUN 2015	 TE Connectivity	
DIMENSIONS: mm		CHK M. PHILLIPS 29 JUN 2015		
TOLERANCES UNLESS OTHERWISE SPECIFIED:		APVD -	NAME RECEPTACLE CONNECTOR, VERTICAL, 124 POSITION, SLIVER	
0 PLC ±0.15		PRODUCT SPEC -	SIZE A2	
1 PLC ±0.15		APPLICATION SPEC -	CAGE CODE -	
2 PLC ±0.15		WEIGHT -	DRAWING NO. C-2294036	
3 PLC ±		CUSTOMER DRAWING	RESTRICTED TO	
4 PLC ±		SCALE 4:1	SHEET 2 OF 3	
ANGLES ±			REV 7	
FINISH ±				

THIS DRAWING IS UNPUBLISHED. RELEASED FOR PUBLICATION 20
 © COPYRIGHT 20 BY - ALL RIGHTS RESERVED.


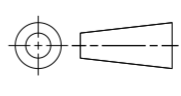
REVISIONS				
P	LTR	DESCRIPTION	DATE	APVD
-		SEE SHEET 1	-	-

PIN #	DESCRIPTION	PIN #	DESCRIPTION
1	SIGNAL GROUND	124	SIGNAL GROUND
2	SIGNAL	123	SIGNAL
3	SIGNAL	122	SIGNAL
4	SIGNAL GROUND	121	SIGNAL GROUND
5	SIGNAL	120	SIGNAL
6	SIGNAL	119	SIGNAL
7	SIGNAL GROUND	118	SIGNAL GROUND
8	SIGNAL	117	SIGNAL
9	SIGNAL	116	SIGNAL
10	SIGNAL GROUND	115	SIGNAL GROUND
11	SIGNAL	114	SIGNAL
12	SIGNAL	113	SIGNAL
13	SIGNAL GROUND	112	SIGNAL GROUND
14	SIGNAL	111	SIGNAL
15	SIGNAL	110	SIGNAL
16	SIGNAL GROUND	109	SIGNAL GROUND
17	SIGNAL	108	SIGNAL
18	SIGNAL	107	SIGNAL
19	SIGNAL GROUND	106	SIGNAL GROUND
20	SIGNAL	105	SIGNAL
21	SIGNAL	104	SIGNAL
22	SIGNAL GROUND	103	SIGNAL GROUND
23	SIGNAL	102	SIGNAL
24	SIGNAL	101	SIGNAL
25	SIGNAL GROUND	100	SIGNAL GROUND
26	SIGNAL	99	SIGNAL
27	SIGNAL	98	SIGNAL
28	SIGNAL GROUND	97	SIGNAL GROUND
29	SIGNAL	96	SIGNAL
30	SIGNAL	95	SIGNAL
31	SIGNAL GROUND	94	SIGNAL GROUND
32	SIGNAL	93	SIGNAL
33	SIGNAL	92	SIGNAL
34	SIGNAL GROUND	91	SIGNAL GROUND
35	SIGNAL	90	SIGNAL
36	SIGNAL	89	SIGNAL
37	SIGNAL GROUND	88	SIGNAL GROUND

PIN #	DESCRIPTION	PIN #	DESCRIPTION
38	SIGNAL GROUND	87	SIGNAL GROUND
39	SIGNAL	86	SIGNAL
40	SIGNAL	85	SIGNAL
41	SIGNAL GROUND	84	SIGNAL GROUND
42	SIGNAL	83	SIGNAL
43	SIGNAL	82	SIGNAL
44	SIGNAL GROUND	81	SIGNAL GROUND
45	SIGNAL	80	SIGNAL
46	SIGNAL	79	SIGNAL
47	SIGNAL GROUND	78	SIGNAL GROUND
48	SIGNAL	77	SIGNAL
49	SIGNAL	76	SIGNAL
50	SIGNAL GROUND	75	SIGNAL GROUND
51	SIGNAL	74	SIGNAL
52	SIGNAL	73	SIGNAL
53	SIGNAL GROUND	72	SIGNAL GROUND
54	SIGNAL	71	SIGNAL
55	SIGNAL	70	SIGNAL
56	SIGNAL GROUND	69	SIGNAL GROUND
57	SIGNAL	68	SIGNAL
58	SIGNAL	67	SIGNAL
59	SIGNAL GROUND	66	SIGNAL GROUND
60	SIGNAL	65	SIGNAL
61	SIGNAL	64	SIGNAL
62	SIGNAL GROUND	63	SIGNAL GROUND

THIS PRODUCT HAS NOT COMPLETED VALIDATION AND QUALIFICATION TESTING

PRELIMINARY NOT RELEASED FOR PRODUCTION

THIS DRAWING IS A CONTROLLED DOCUMENT.		DWN M. SHIRK 29 JUN 2015	 TE Connectivity	
		CHK M. PHILLIPS 29 JUN 2015		
DIMENSIONS: mm 		TOLERANCES UNLESS OTHERWISE SPECIFIED: 0 PLC ±0.15 1 PLC ±0.15 2 PLC ±0.15 3 PLC ± 4 PLC ± ANGLES ± FINISH ±		NAME RECEPTACLE CONNECTOR, VERTICAL, 124 POSITION, SLIVER
MATERIAL		APVD	PRODUCT SPEC	RESTRICTED TO
		APPLICATION SPEC	SCALE	
		WEIGHT	A2	
		CUSTOMER DRAWING	CAGE CODE	
			DRAWING NO	
			G-2294036	
			SCALE 4:1	
			SHEET 3 OF 3	
			REV 7	