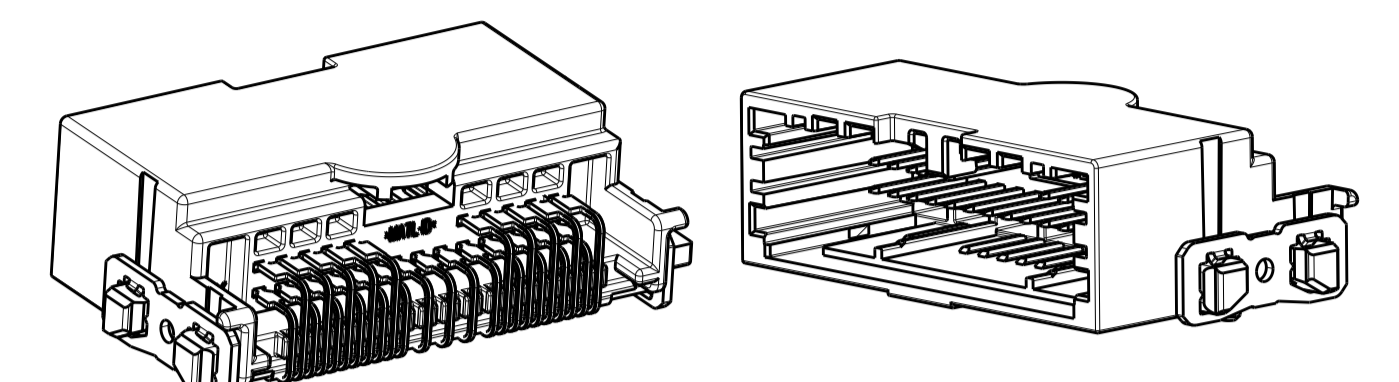
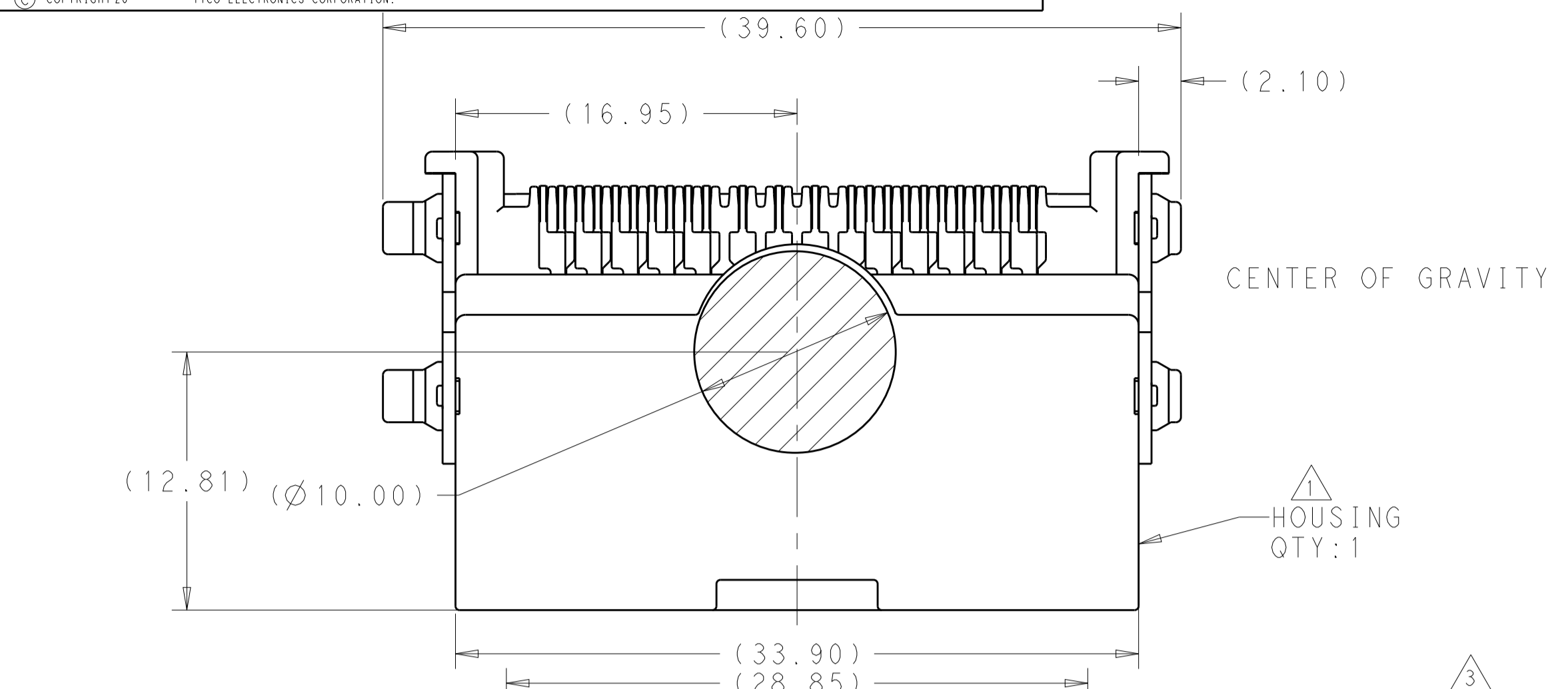


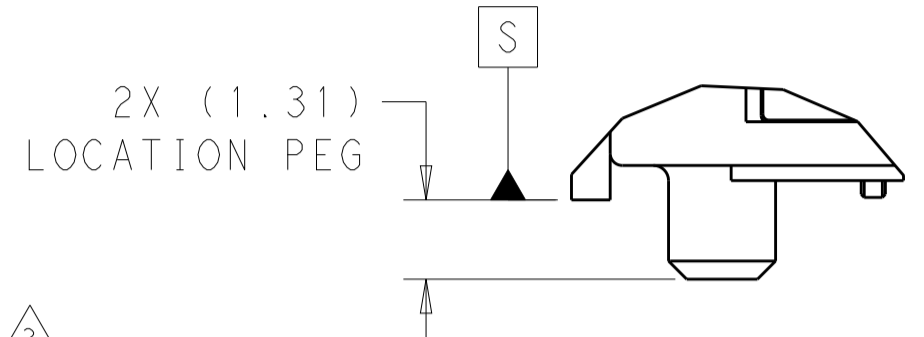
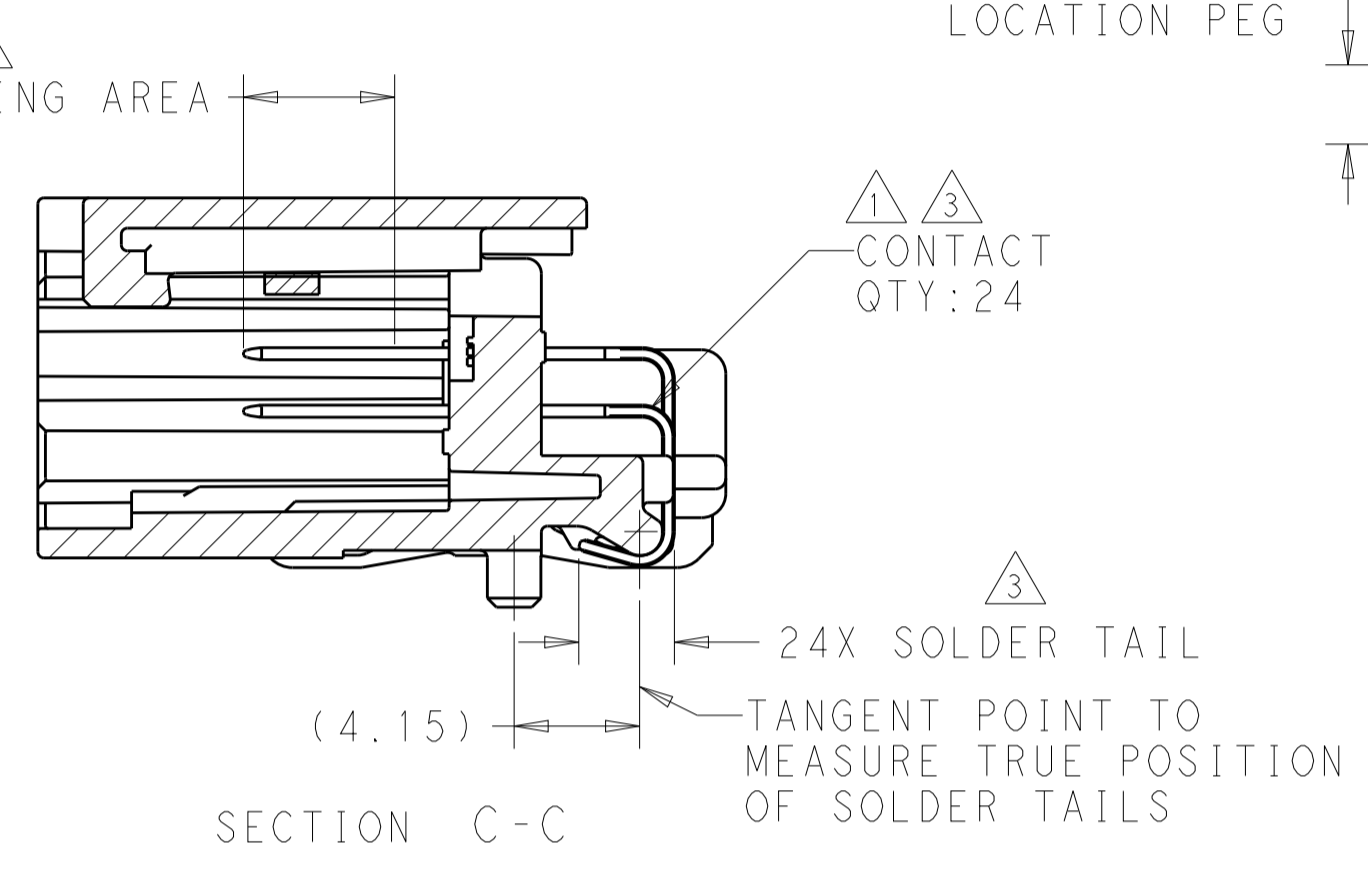
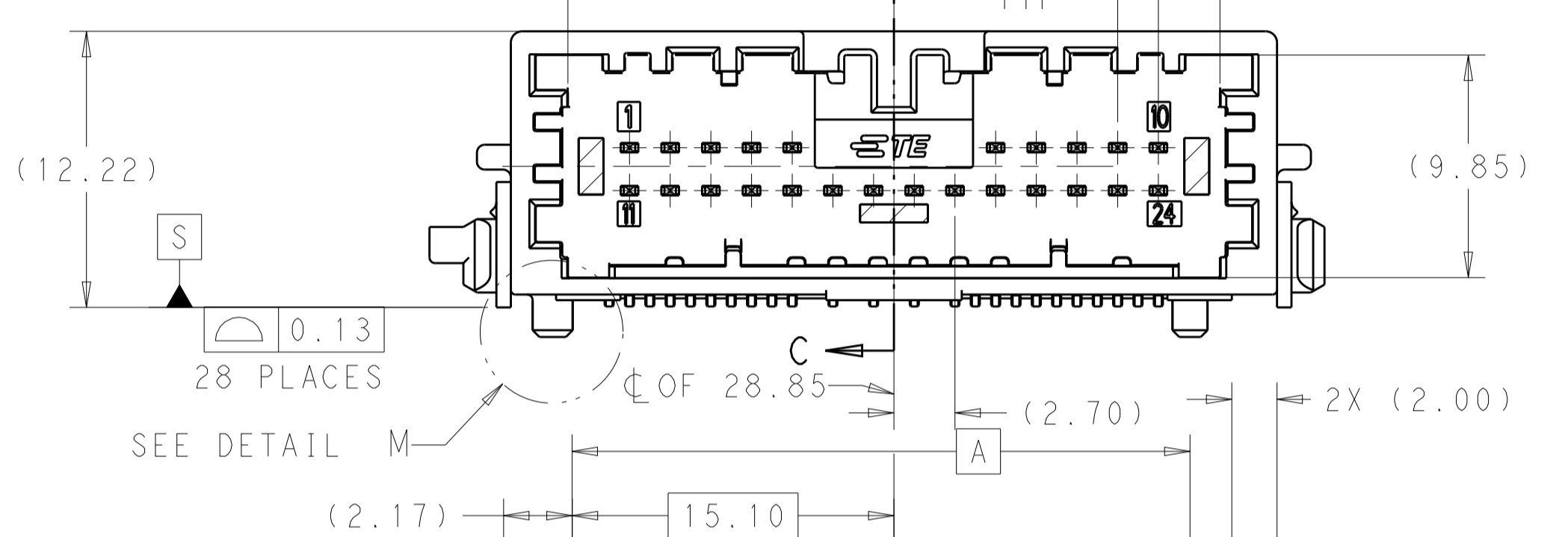
LOC		DIST		REVISIONS			
IN	00	P	LTN	DESCRIPTION	DATE	DMN	APVD
		1		PROPOSED	06APR2015	HM	-
		2		REV PER ECO-16-004318	31MAR2016	HM	DF
		3		REV PER ECR-XX-XXXXXX	01SEP2017	SS	DS
		4		ADDED 1.5mm TO SHROUD	15MAR2018	SS	DS

PRELIMINARY
NOT RELEASED FOR PRODUCTION

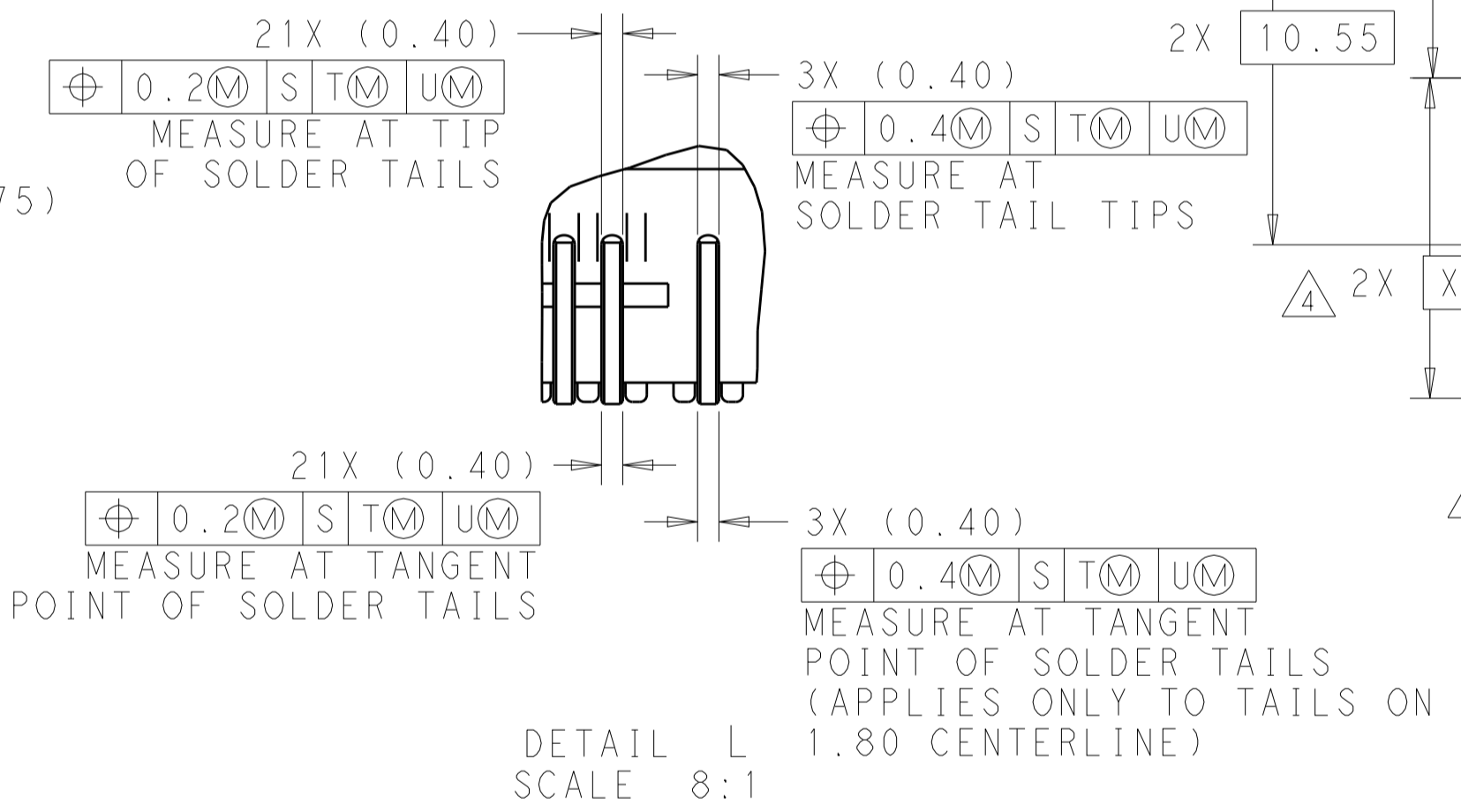
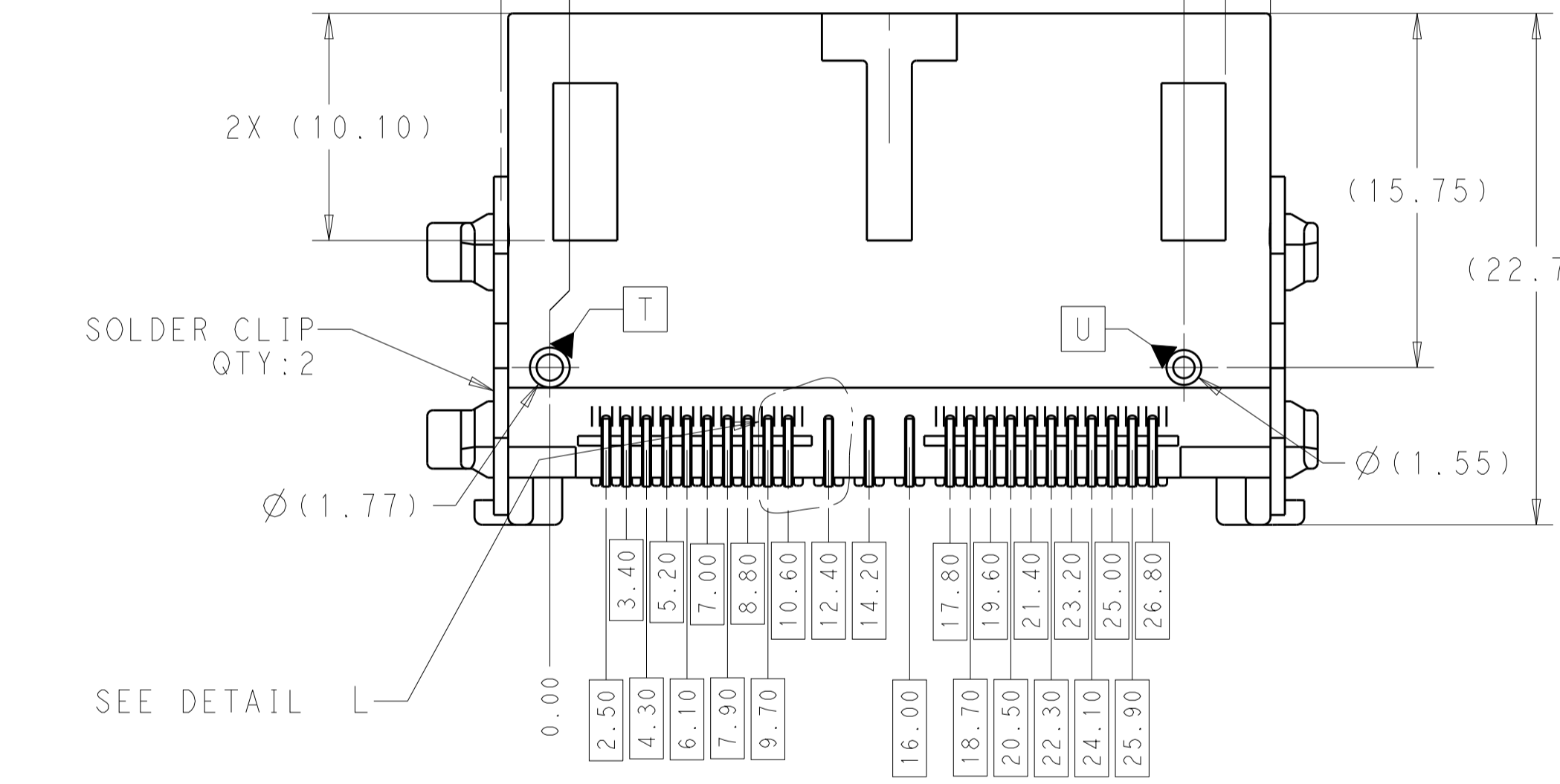
- △ HOUSING: PCT, COLOR - BLACK
- CONTACTS: BRASS
- SOLDER CLIP: BRASS
- △ SOLDER CLIP: 3.8µm MIN TIN OVER 1.27µm MIN NICKEL
- △ CONTACT: 0.8µm MIN TIN IN MATING AREA AND 2.5µm MIN TIN IN SOLDER TAIL ALL OVER 2.00µm MIN NICKEL
- △ DATUMS AND BASIC DIMENSIONS ESTABLISHED BY THE CUSTOMER
- △ ALLOW FOR OVER PRINTING ON PC BOARD
- 6. THIS PRODUCT HAS NOT COMPLETED VALIDATION TESTING
- 7. PRELIMINARY - NOT FOR PRODUCTION



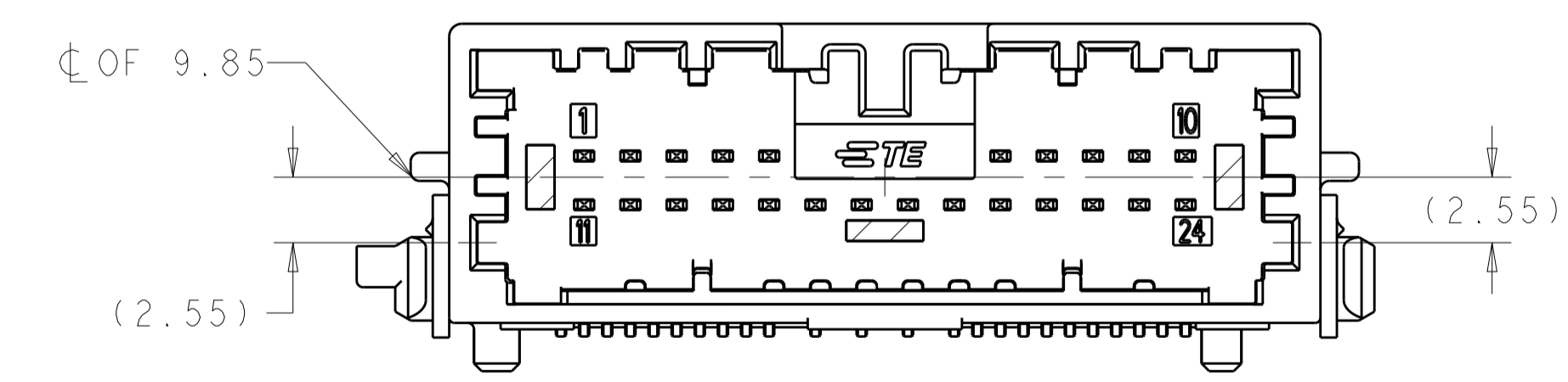
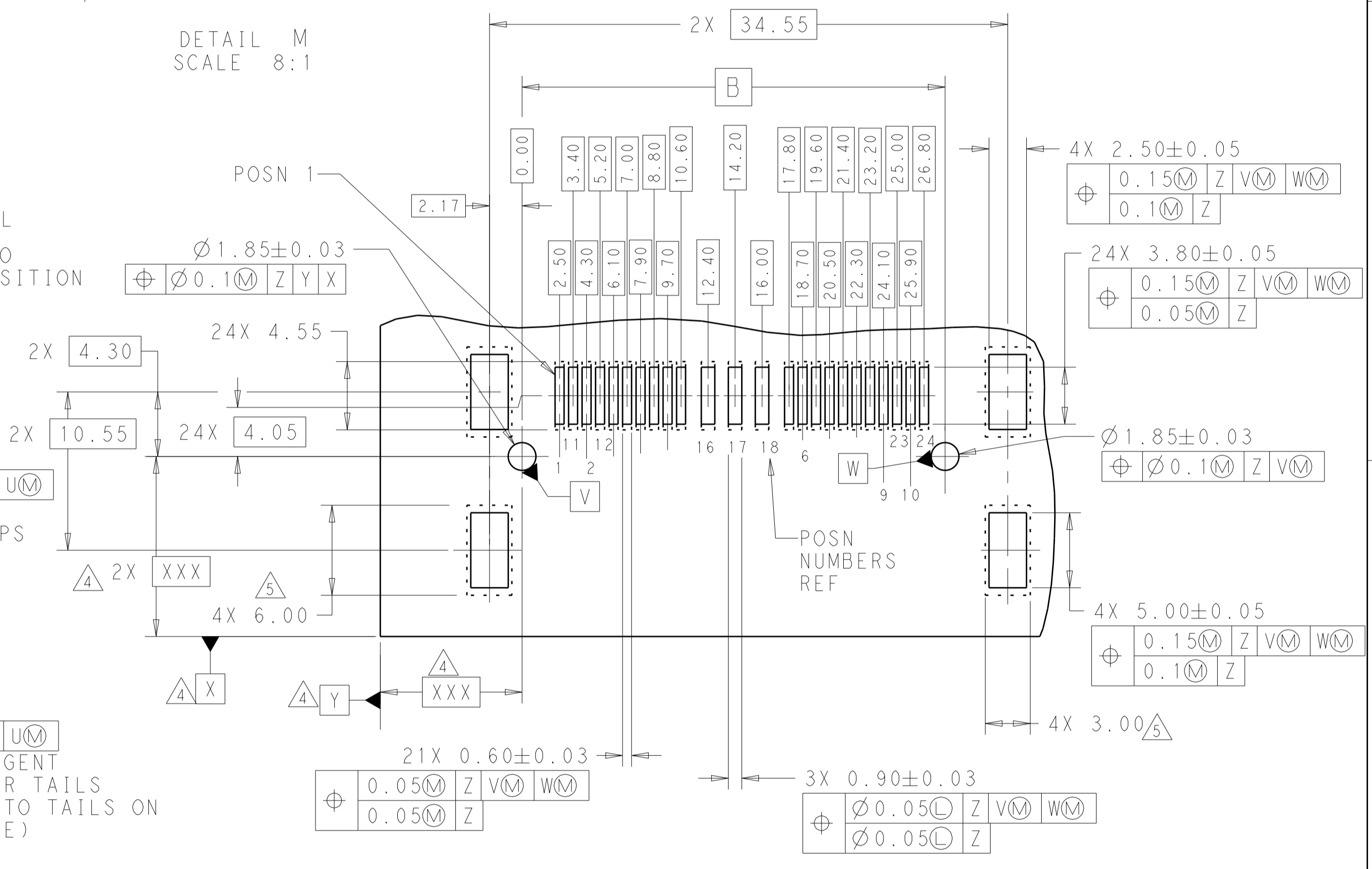
REF VIEW SCALE 2:1



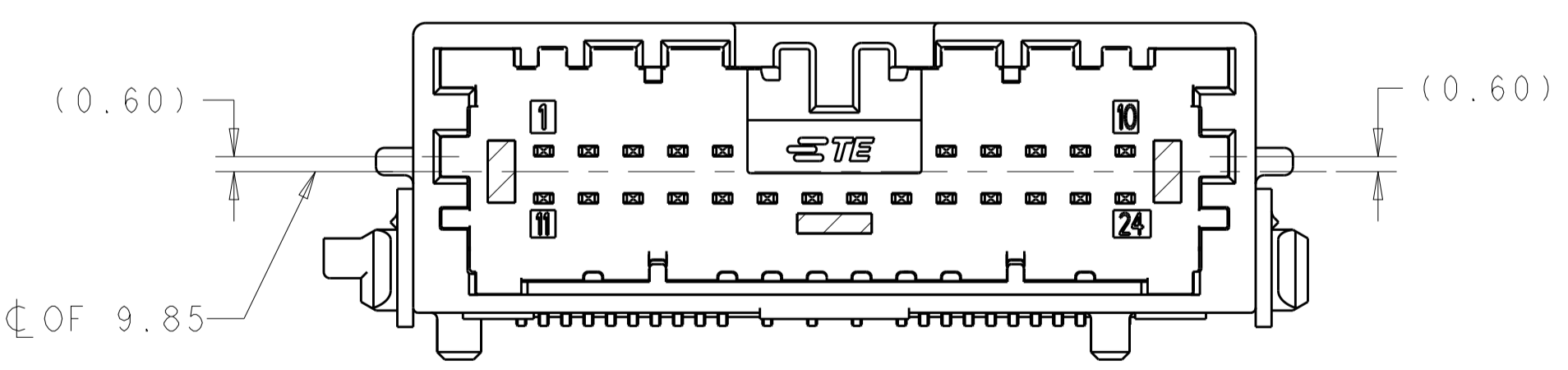
DETAIL M SCALE 8:1



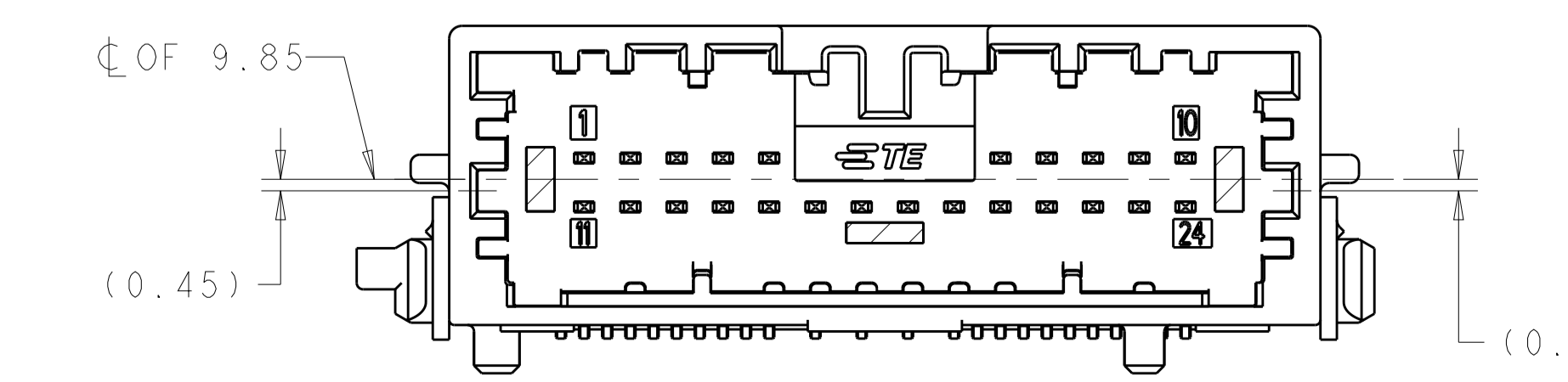
DETAIL L SCALE 8:1



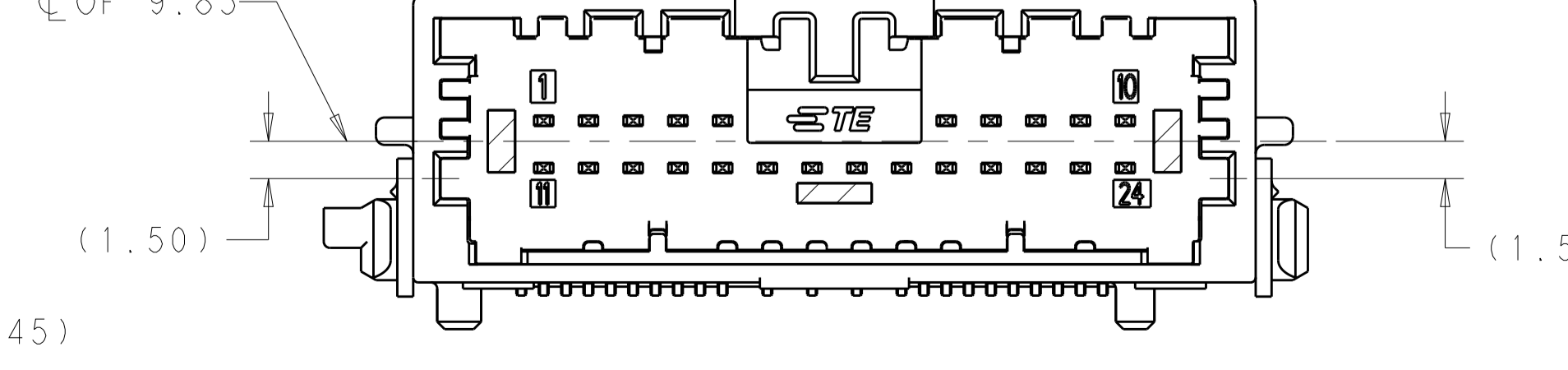
KEY CODE A SCALE 4:1



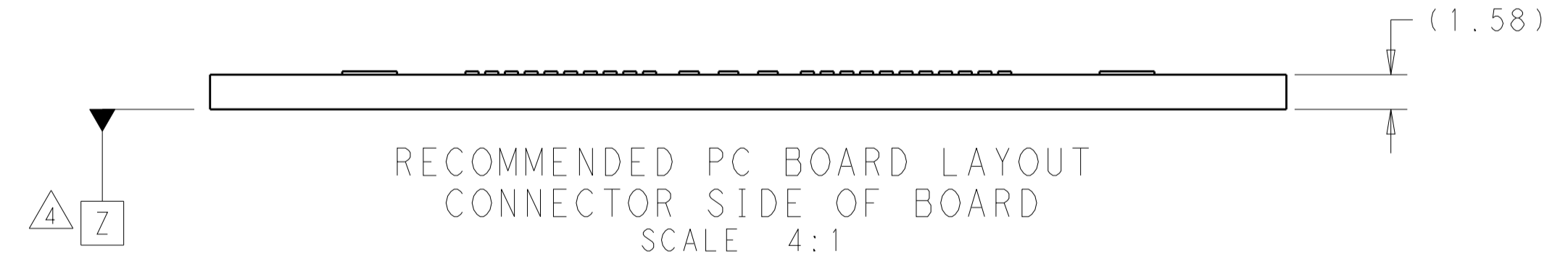
KEY CODE B SCALE 4:1



KEY CODE C SCALE 4:1



KEY CODE D SCALE 4:1



RECOMMENDED PC BOARD LAYOUT CONNECTOR SIDE OF BOARD SCALE 4:1

27.20	27.20	KEY CODE D	2272897-4
25.20	25.20	KEY CODE C	2291989-3
26.20	26.20	KEY CODE B	2291989-2
28.20	28.20	KEY CODE A	2291989-1

B	A	KEY CODE	PART NUMBER

THIS DRAWING IS A CONTROLLED DOCUMENT. DIMENSIONS: mm. TOLERANCES UNLESS OTHERWISE SPECIFIED: 0 PLC ±, 1 PLC ±, 2 PLC ±, 3 PLC ±, 4 PLC ±, ANGLES ±. MATERIAL: FINISH: WEIGHT: 5.5 g. CUSTOMER DRAWING. DWN: H. MOLL 06APR2015. CHK: D. FRY 31MAR2016. APVD: D. FRY 31MAR2016. PRODUCT SPEC. APPLICATION SPEC. SIZE: CAGE CODE: DRAWING NO: A100779. WEIGHT: 5.5 g. SHEET 1 OF 1. REV 4.

STE TE Connectivity
HEADER ASSEMBLY, 24 POSN, 2 ROW, SMT, 1.80 CENTERLINE, UNSEALED, GENERATION 50