

| LOC | DIST | REVISIONS |     |                                 |           |     |      |
|-----|------|-----------|-----|---------------------------------|-----------|-----|------|
| GP  | 00   | P         | LTN | DESCRIPTION                     | DATE      | OWN | APVD |
|     |      | A1        |     | REVISED PER ECR-18-017552       | 07NOV2018 | IT  | SH   |
|     |      | A2        |     | ADD NEW DASH NUMBER 1-2291634-1 | 31MAY2021 | SZ  | SZ   |
|     |      | A3        |     | RELEASE PER ECN-21-107864       | 18JUN2021 | SZ  | SZ   |
|     |      | A4        |     | ADD NEW DASH NUMBER 1-2         | 19JUL2021 | SZ  | SZ   |

1 MATERIAL:  
 CAGE - 0.25mm THICK NICKEL SILVER ALLOY  
 HEATSINK - ALUMINUM  
 HEATSINK CLIP - STAINLESS STEEL  
 EMI SPRING(S) - COPPER ALLOY

2 FINISH:  
 HEATSINK - ELECTROLESS NICKEL  
 HEATSINK CLIP - PASSIVATE  
 EMI SPRING(S) - 0.8um MIN MATTE TIN OVER 0.8um MIN NICKEL,  
 NON-PLATED EDGES PERMISSIBLE.

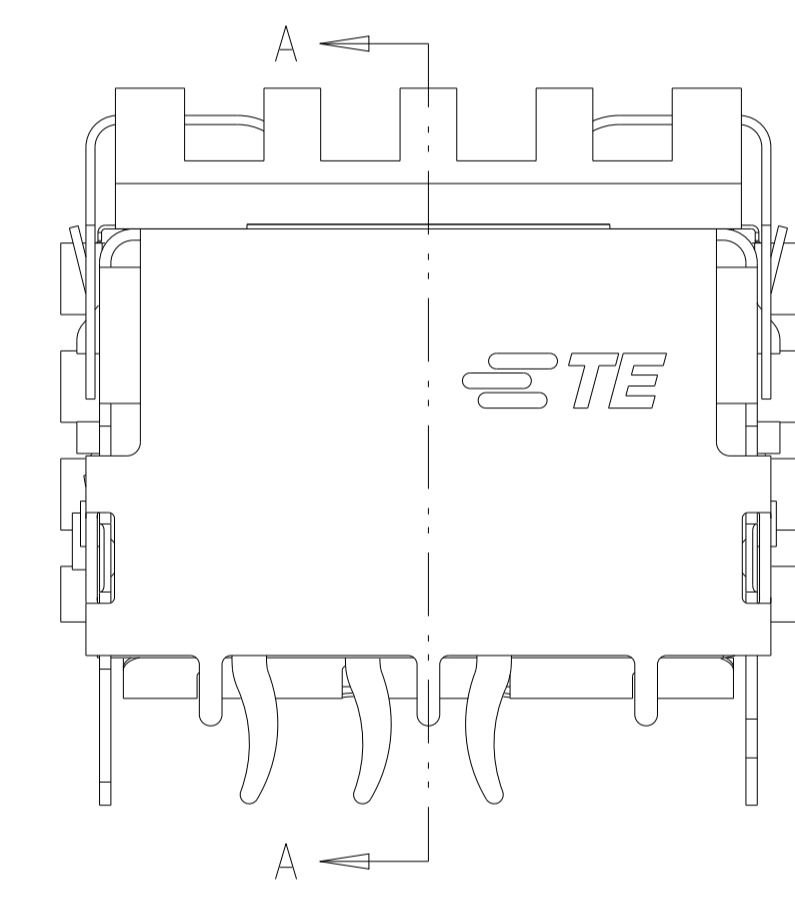
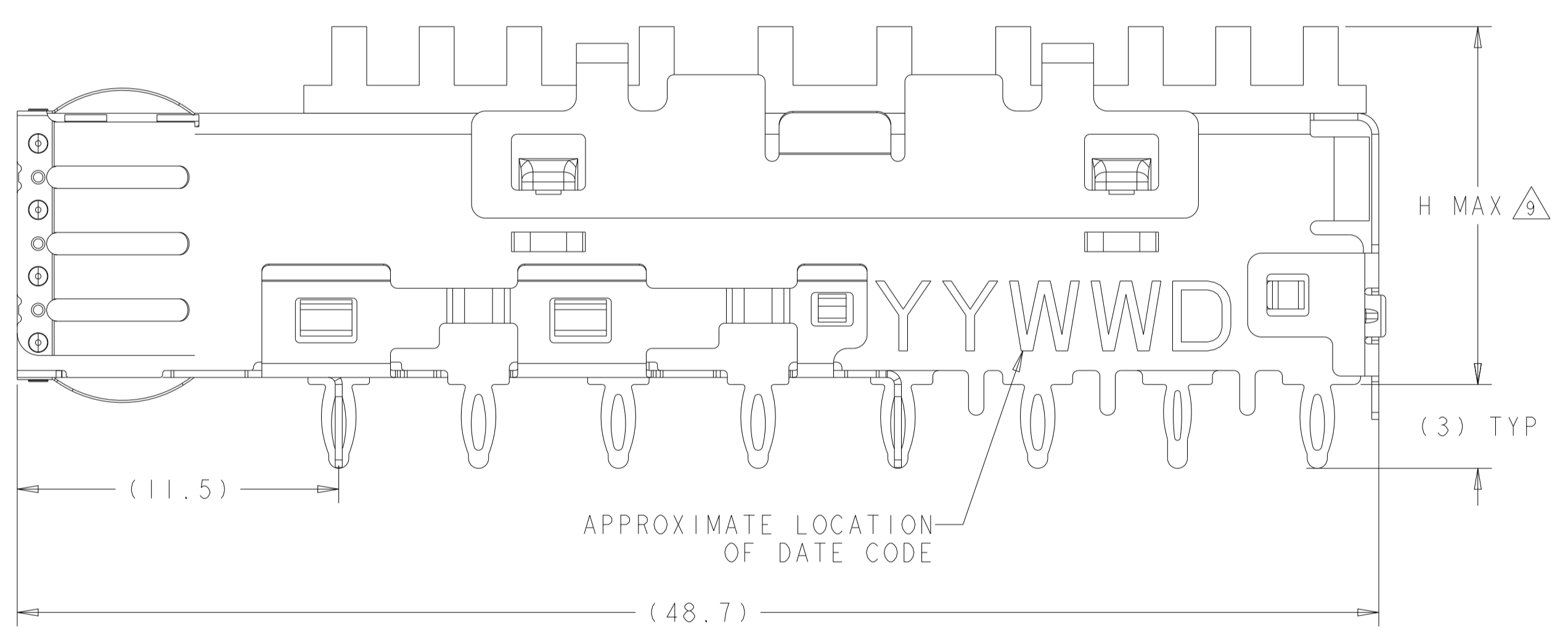
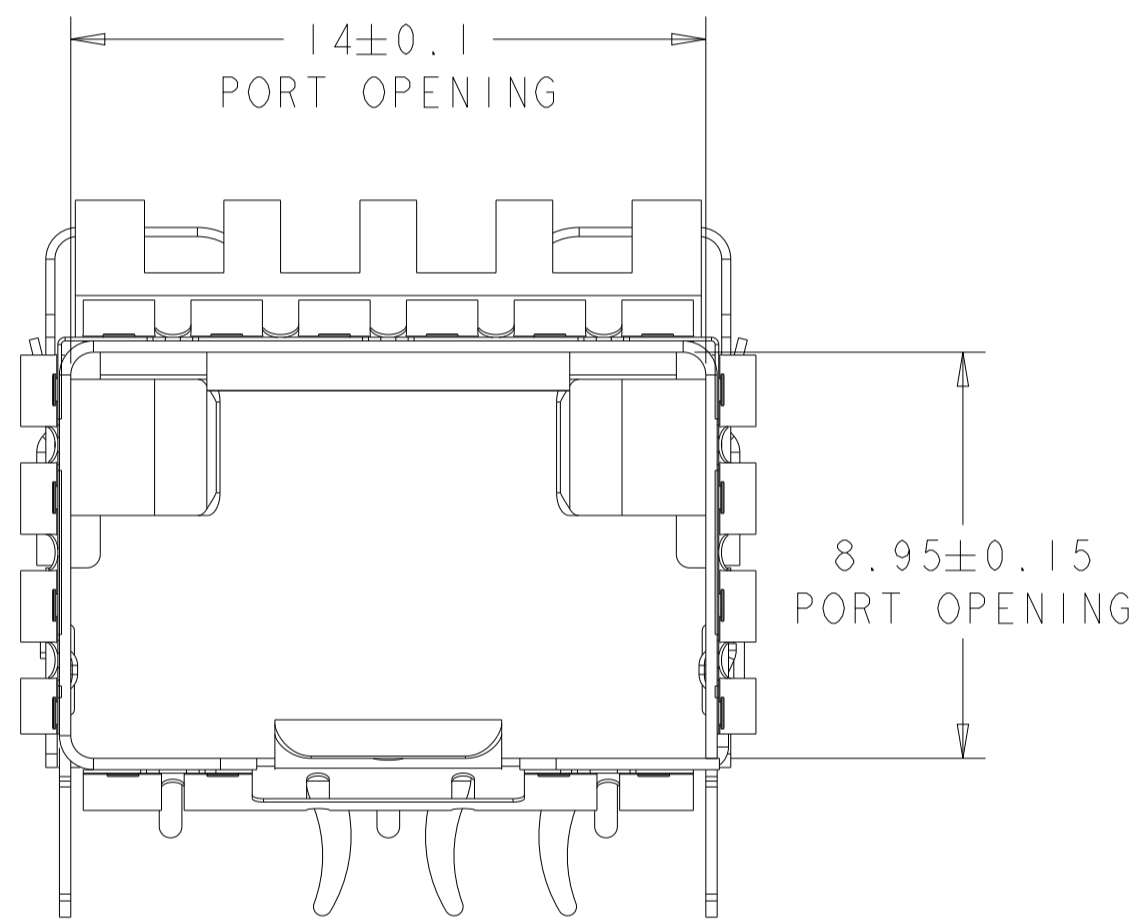
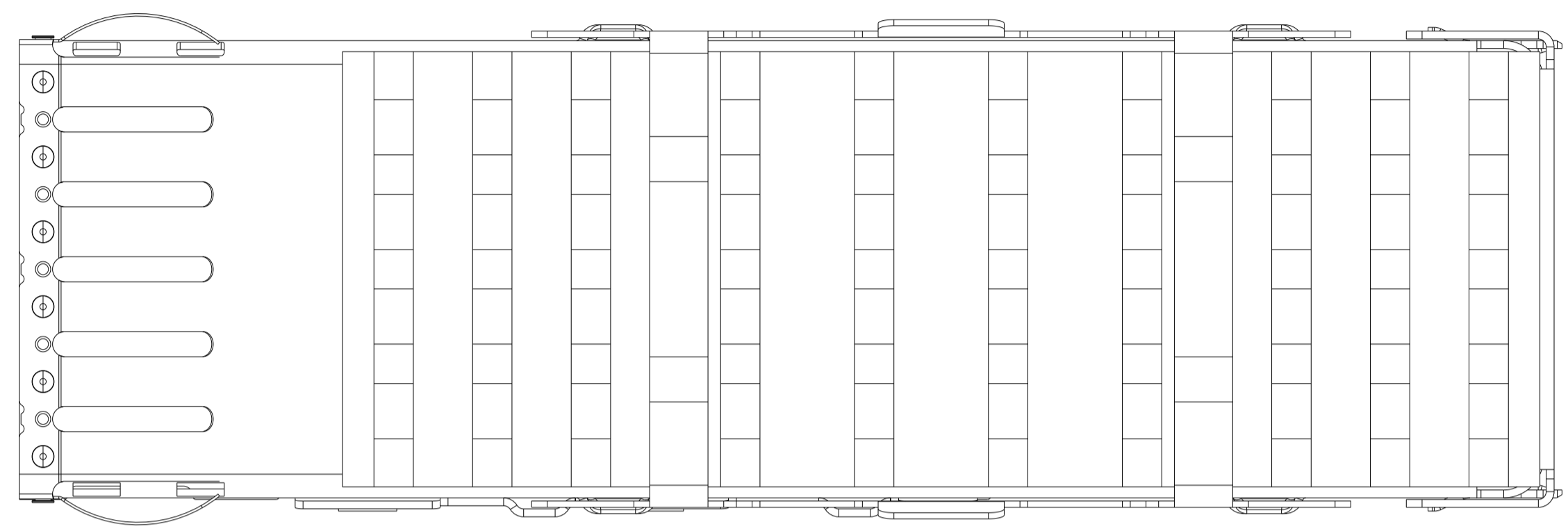
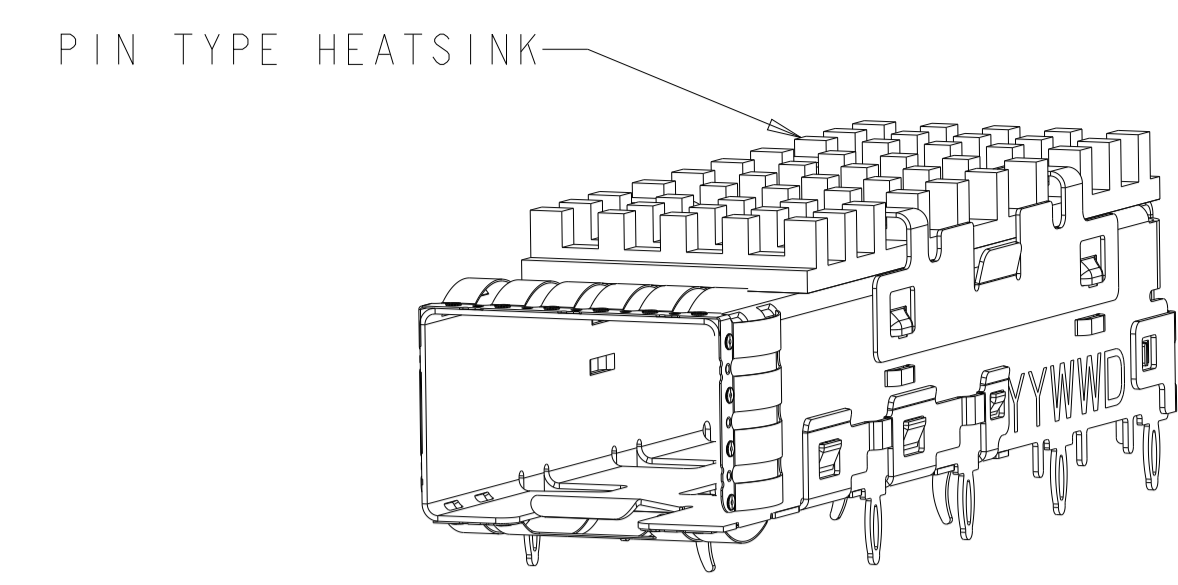
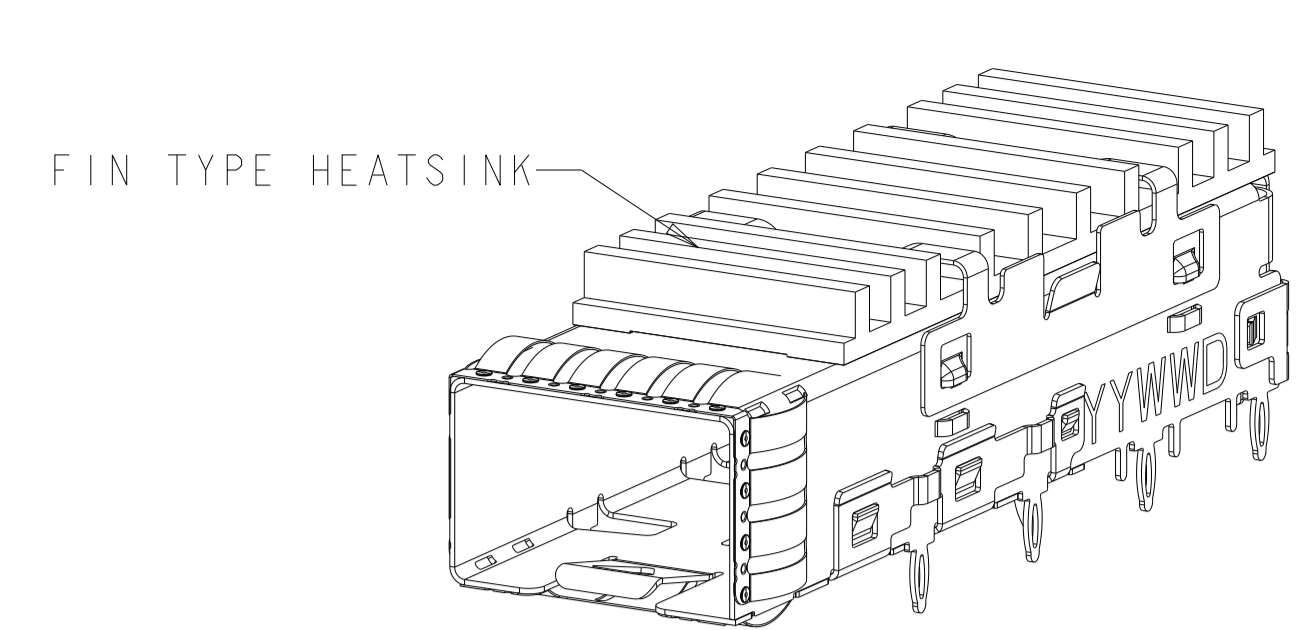
3. MATES WITH SFP MSA COMPLIANT TRANSCEIVERS.

4 PADS AND VIAS CHASSIS GROUND.

5 DATUM AND BASIC DIMENSION ESTABLISHED BY CUSTOMER.

6. MINIMUM PC BOARD THICKNESS:  
 SINGLE SIDED = 1.50mm  
 DOUBLE SIDED = 3.00mm

7 REFERENCE APPLICATION SPEC. 114-13120, HOLE A, FOR  
 RECOMMENDED DRILL HOLE DIAMETER AND PLATING THICKNESS.

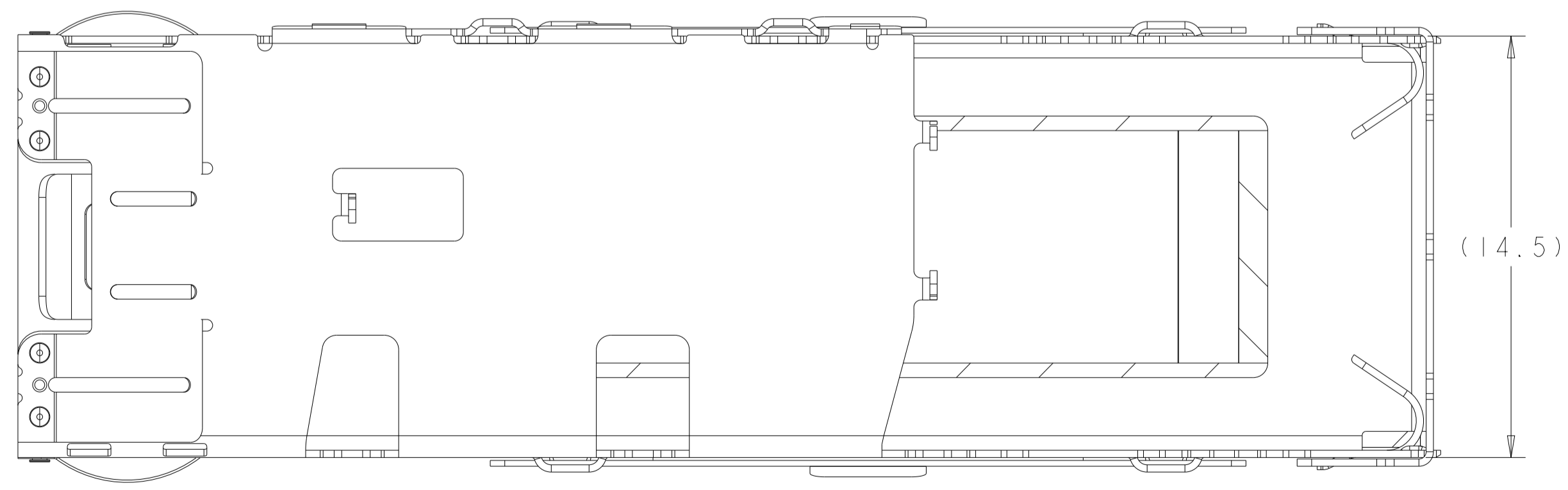


8 REFERENCE APPLICATION SPEC. 114-13120, HOLE C, FOR  
 RECOMMENDED DRILL HOLE DIAMETER AND PLATING THICKNESS.

9 DIMENSION APPLIES PRIOR TO INSERTION OF SFP MODULE.

10. CAGE ASSEMBLY, HEATSINK CLIP AND HEATSINK SHIPPED  
 ASSEMBLED.

11 FINISH:  
 HEATSINK - BLACK ANODIZED  
 HEATSINK CLIP - PASSIVATE  
 EMI SPRING(S) - 0.8um MIN MATTE TIN OVER 0.8um MIN NICKEL,  
 NON-PLATED EDGES PERMISSIBLE.



|                       |         |      |     |     |          |                |             |
|-----------------------|---------|------|-----|-----|----------|----------------|-------------|
| 1                     | WITHOUT | 22.8 | 30° | REF | PIN TYPE | 1-2291634-2    |             |
| 1                     | WITHOUT | 13.5 | 30° | REF | PIN TYPE | 1-2291634-1    |             |
| 2                     | WITHOUT | 13.5 | 30° | REF | FIN TYPE | 1-2291634-0    |             |
| 2                     | WITHOUT | 13.5 | 15° | REF | PIN TYPE | 2291634-9      |             |
| 2                     | WITH    | 22.8 | 30° | REF | FIN TYPE | 2291634-8      |             |
| 2                     | WITHOUT | 22.8 | 30° | REF | FIN TYPE | 2291634-7      |             |
| 2                     | WITHOUT | 15.8 | 30° | REF | FIN TYPE | 2291634-6      |             |
| 2                     | WITHOUT | 13.5 | 30° | REF | FIN TYPE | 2291634-5      |             |
| 2                     | WITH    | 22.8 | 30° | REF | PIN TYPE | 2291634-4      |             |
| 2                     | WITHOUT | 22.8 | 30° | REF | PIN TYPE | 2291634-3      |             |
| 2                     | WITHOUT | 15.8 | 30° | REF | PIN TYPE | 2291634-2      |             |
| 2                     | WITHOUT | 13.5 | 30° | REF | PIN TYPE | 2291634-1      |             |
| INSULATING TAPE H MAX |         |      |     |     | DIM A    | HEAT SINK TYPE | PART NUMBER |

THIS DRAWING IS A CONTROLLED DOCUMENT.

OWN: PETER PAN 17MAR2015  
 CHK: SEAN HAN 17MAR2015  
 APVD: SEAN HAN 17MAR2015

DIMENSIONS: mm  
 TOLERANCES UNLESS OTHERWISE SPECIFIED:  
 0 PLC ±0.1  
 1 PLC ±0.1  
 2 PLC ±0.1  
 3 PLC ±0.05  
 4 PLC ±0.05  
 ANGLES ±0.05

MATERIAL: FINISH

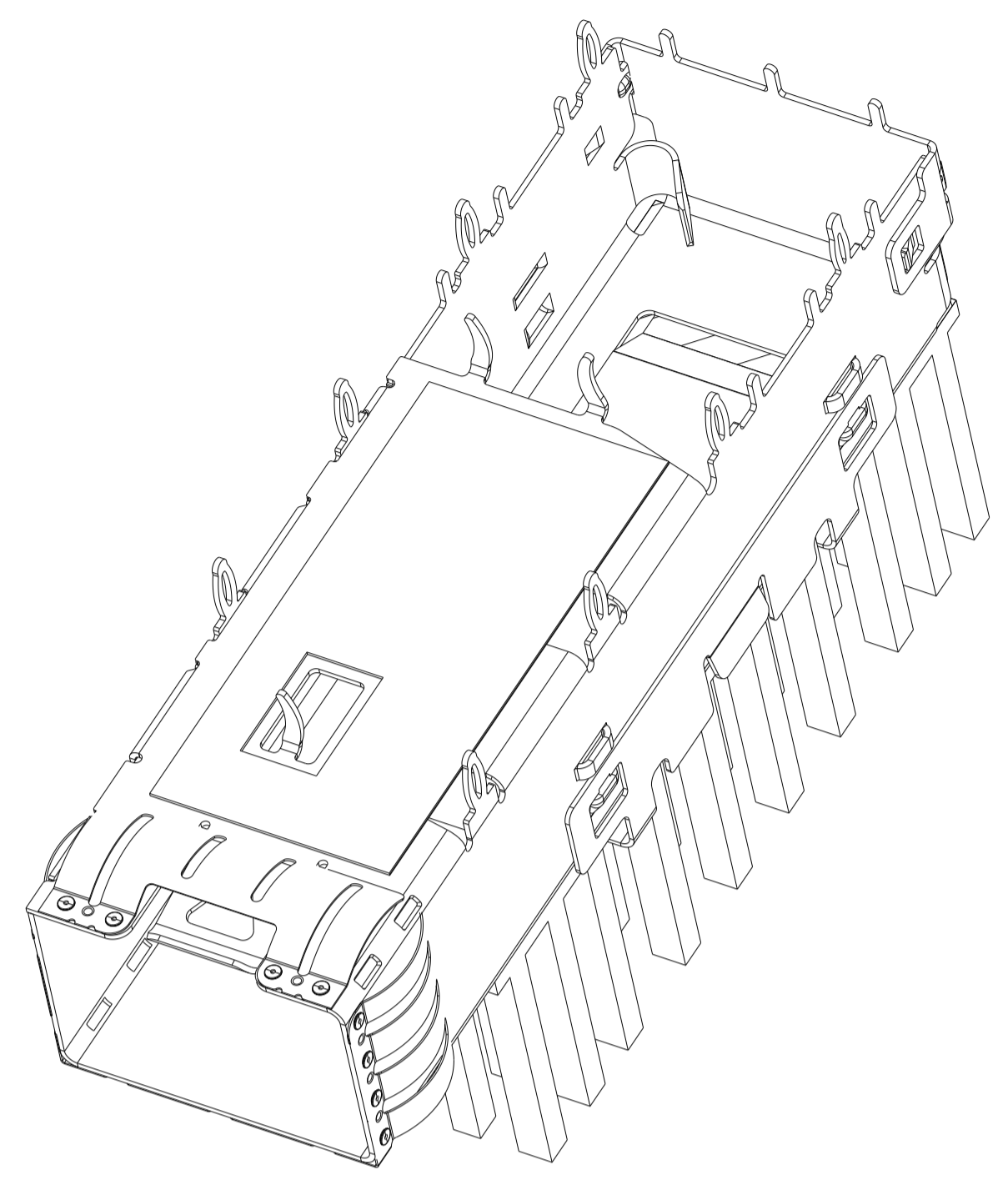
NAME: SFP+ IXI CAGE ASSEMBLY, PRESS-FIT PRESS-FIT, EMI SPRINGS WITH HEATSINK  
 PRODUCT SPEC: 108-2364  
 APPLICATION SPEC: 114-13120  
 WEIGHT: -  
 CUSTOMER DRAWING

SCALE: 6:1 SHEET 1 OF 5 REV A4

TE Connectivity

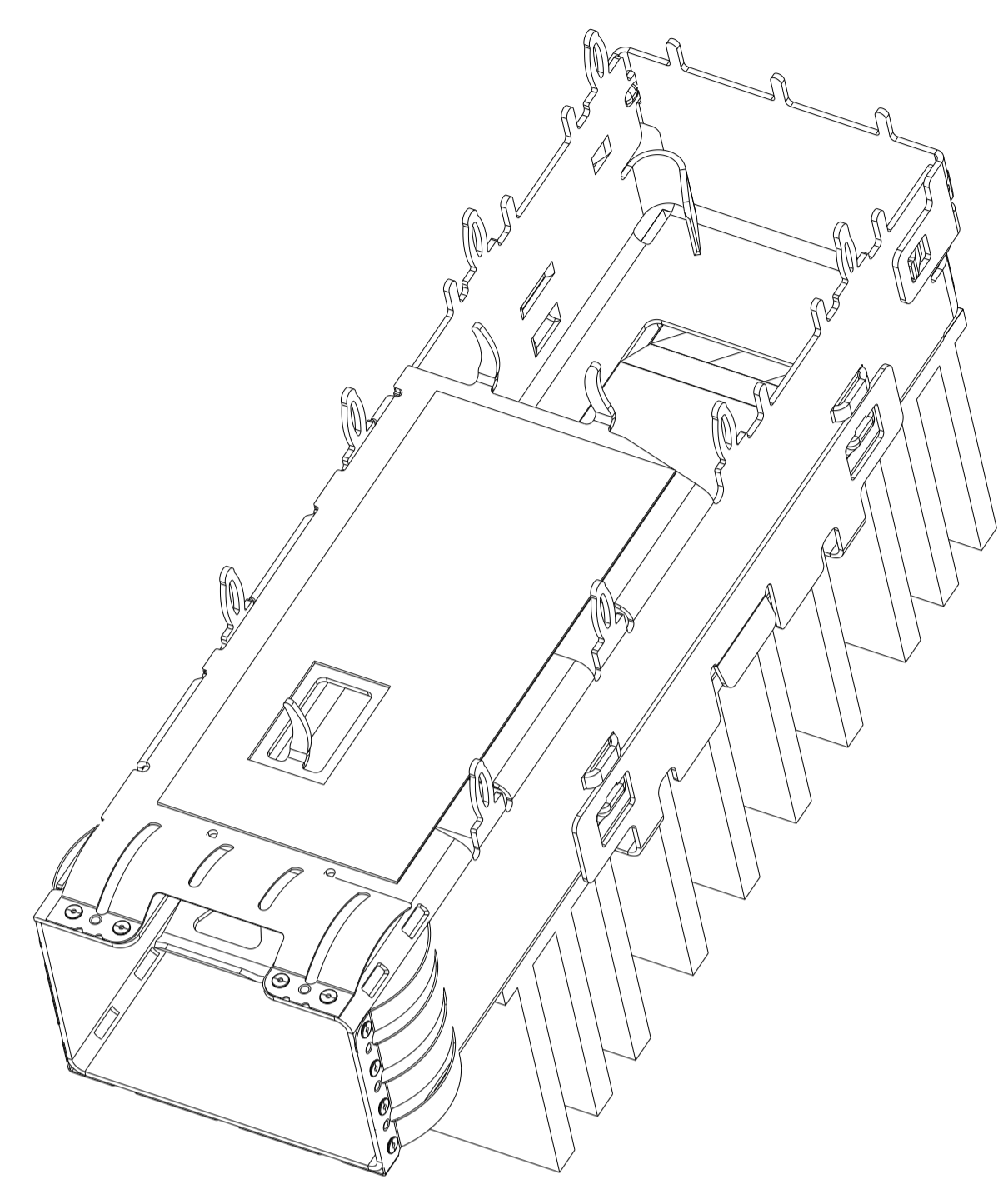
THIS DRAWING IS UNPUBLISHED. RELEASED FOR PUBLICATION 20  
 © COPYRIGHT 20 BY - ALL RIGHTS RESERVED.

| LOC |    | DIST |     | REVISIONS   |      |     |      |
|-----|----|------|-----|-------------|------|-----|------|
| GP  | 00 | P    | LYR | DESCRIPTION | DATE | OWN | APVD |
|     |    | -    |     | SEE SHEET 1 | -    | -   | -    |
|     |    |      |     |             |      |     |      |
|     |    |      |     |             |      |     |      |

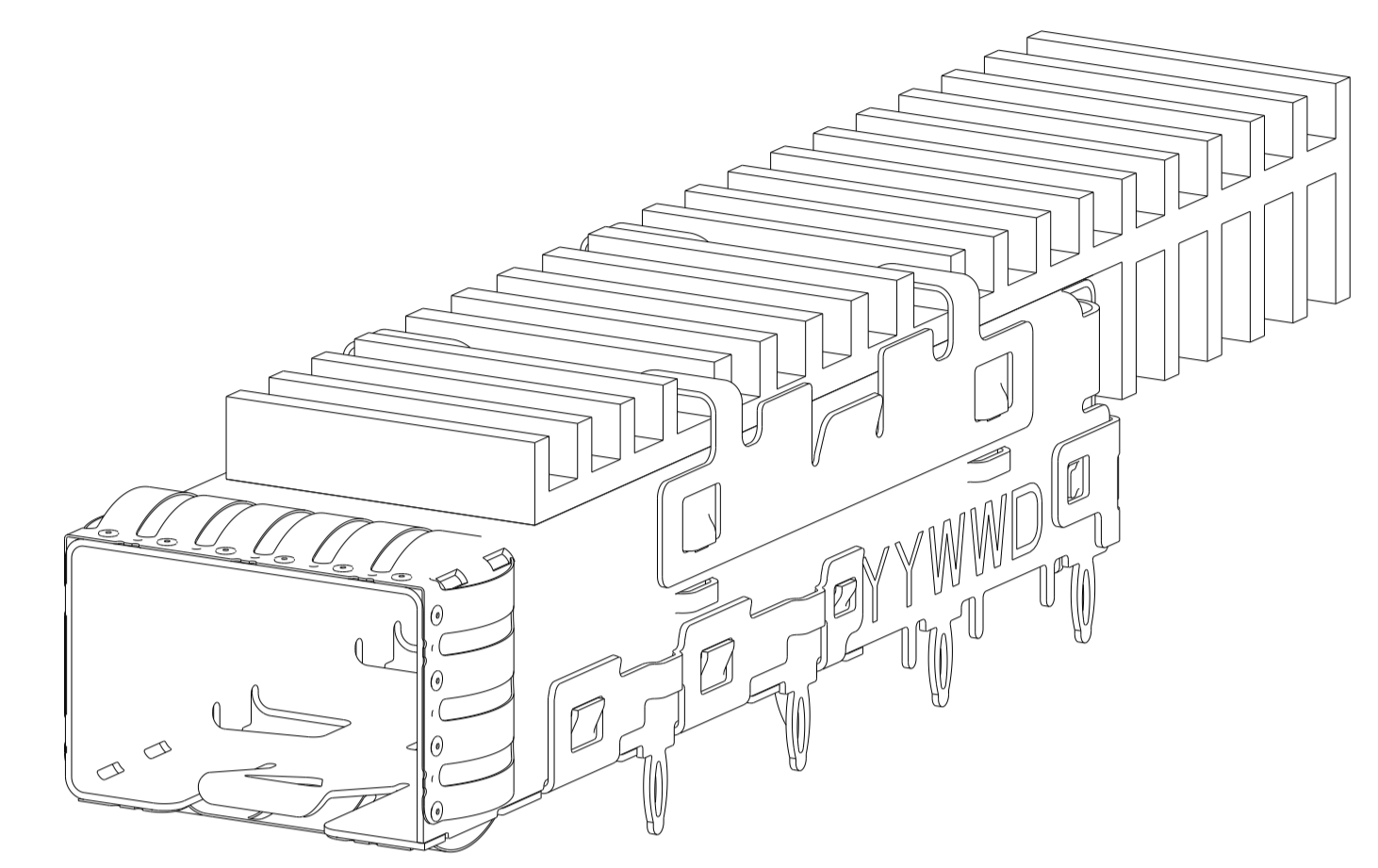


SCALE 4:1

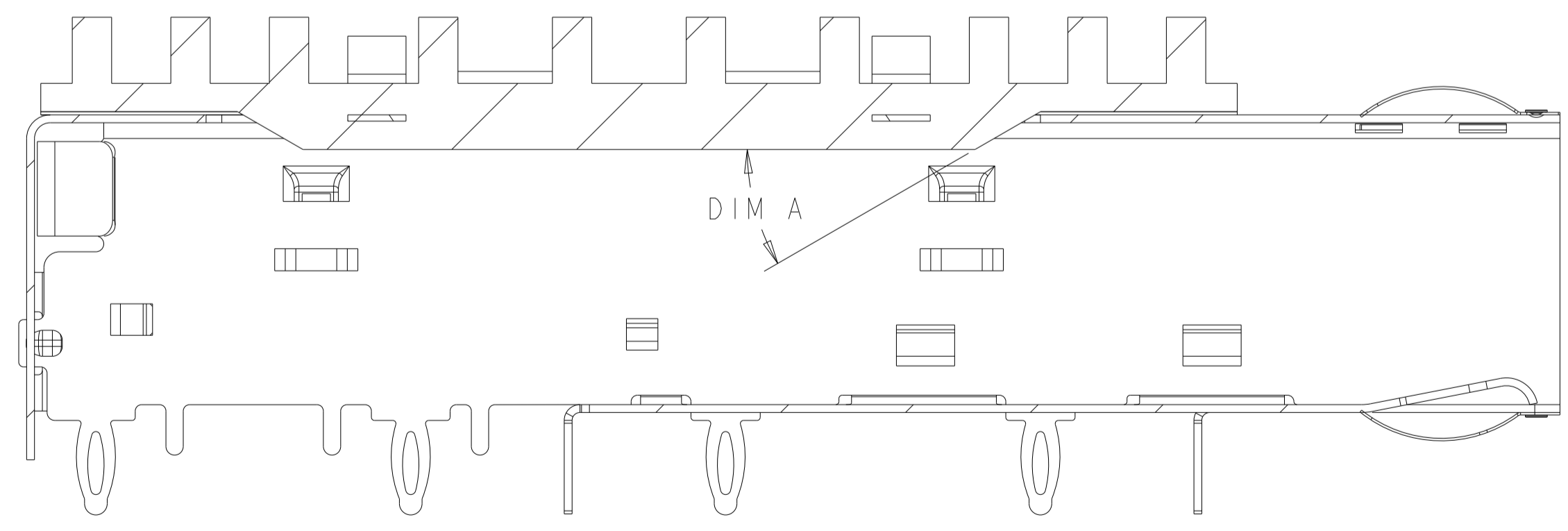
2291634-4 AS SHOWN WITH INSULATING TAPE, PIN TYPE HEAT SINK  
 2291634-1, 2, 3, 9 WITHOUT INSULATING TAPE, TAPE, PIN TYPE HEAT SINK



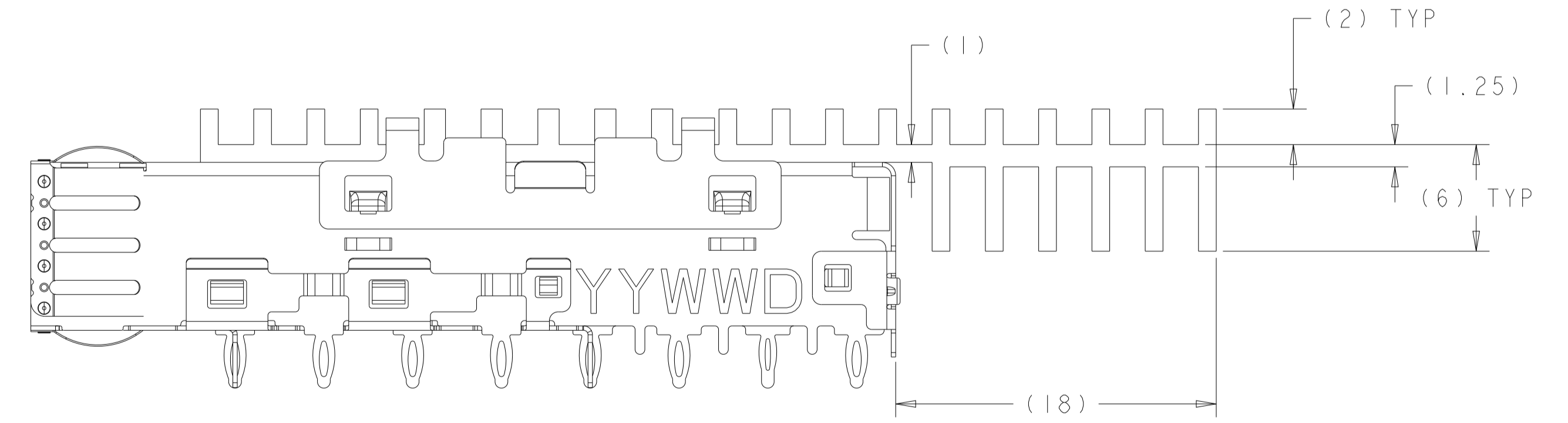
2291634-8 AS SHOWN WITH INSULATING TAPE, WITH FIN TYPE HEAT SINK  
 2291634-5, 6, 7 WITHOUT INSULATING TAPE, WITH FIN TYPE HEAT SINK



1-2291634-0 AS SHOWN WITHOUT INSULATING TAPE, WITH EXTEND FIN TYPE HEAT SINK



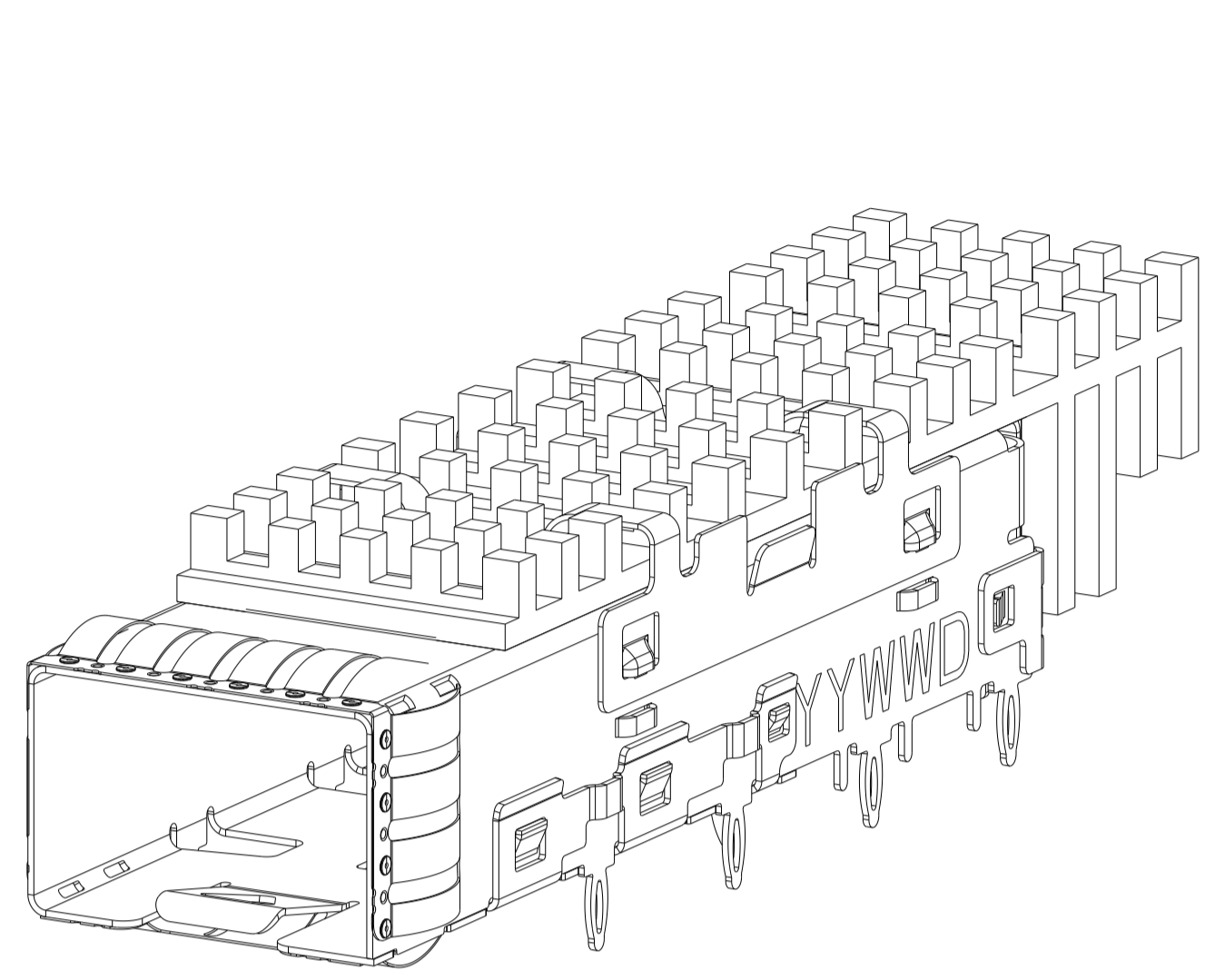
SECTION A-A



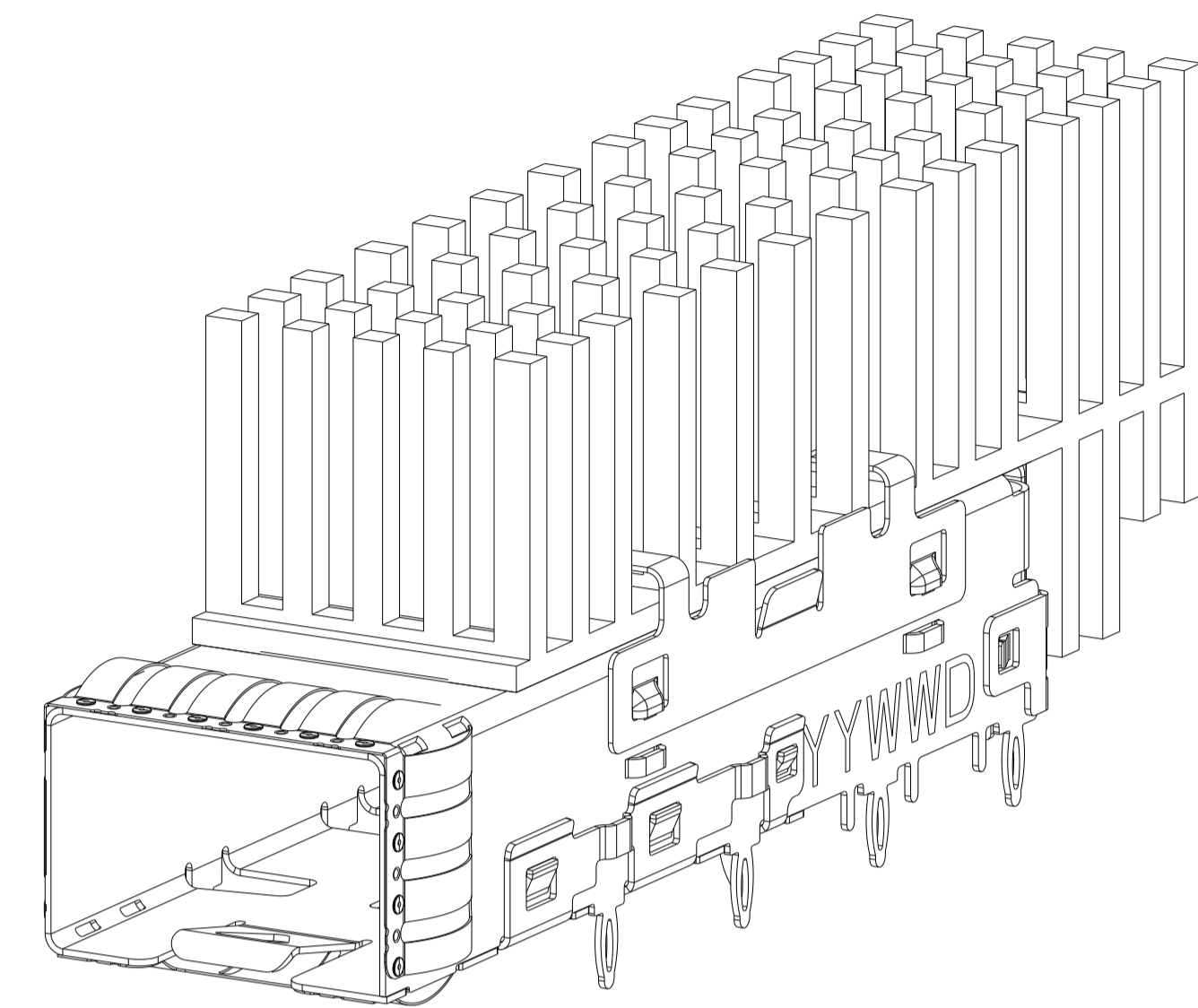
1-2291634-0 AS SHOWN EXCEPT HEATSINK SAME AS 2291634-1

|  |  |  |                     |
|--|--|--|---------------------|
| THIS DRAWING IS A CONTROLLED DOCUMENT.   |  | OWN: PETER PAN 17MAR2015   | TE Connectivity     |
| DIMENSIONS:  |  | CHK: SEAN HAN 17MAR2015  |                     |
| TOLERANCES UNLESS OTHERWISE SPECIFIED:   |  | APVD: SEAN HAN 17MAR2015   |                     |
| 0 PLC ±0.1<br>1 PLC ±0.1<br>2 PLC ±0.1<br>3 PLC ±0.05<br>4 PLC ±0.05<br>ANGLES ±0.05<br>FINISH |  | NAME: SFP+ IXI CAGE ASSEMBLY, PRESS-FIT PRESS-FIT, EMI SPRINGS WITH HEATSINK |                     |
| MIN:   |  | PRODUCT SPEC: 108-2364   | RESTRICTED TO:      |
| MATERIAL:  |  | APPLICATION SPEC: 114-13120  | SIZE: A1            |
|  |  | WEIGHT: -  | CAGE CODE: 00779    |
|  |  | CUSTOMER DRAWING   | DRAWING NO: 2291634 |
|  |  | SCALE: 2   | SHEET: 2 OF 5       |
|  |  |  | REV: A4             |

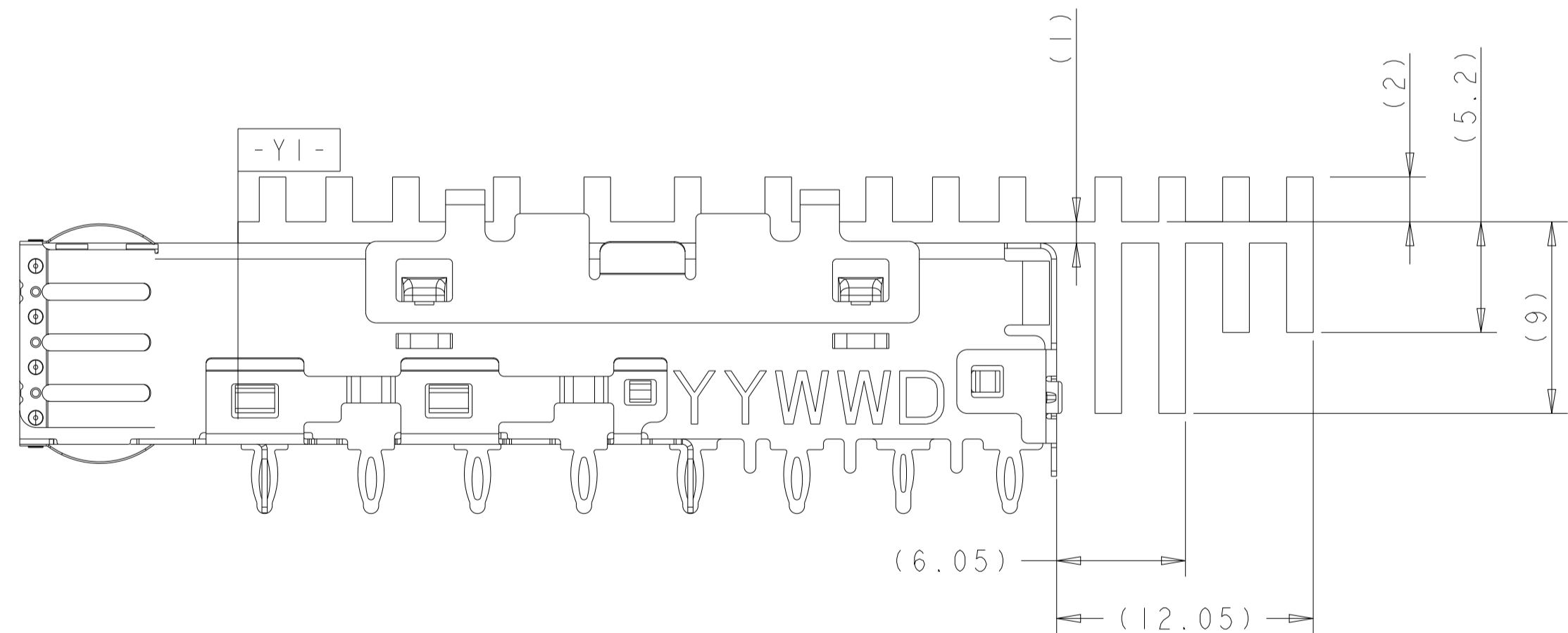
| LOC | DIST | REVISIONS   |      |     |      |
|-----|------|-------------|------|-----|------|
| P   | LTN  | DESCRIPTION | DATE | DMN | APVD |
| -   | -    | SEE SHEET 1 | -    | -   | -    |
|     |      |             |      |     |      |
|     |      |             |      |     |      |



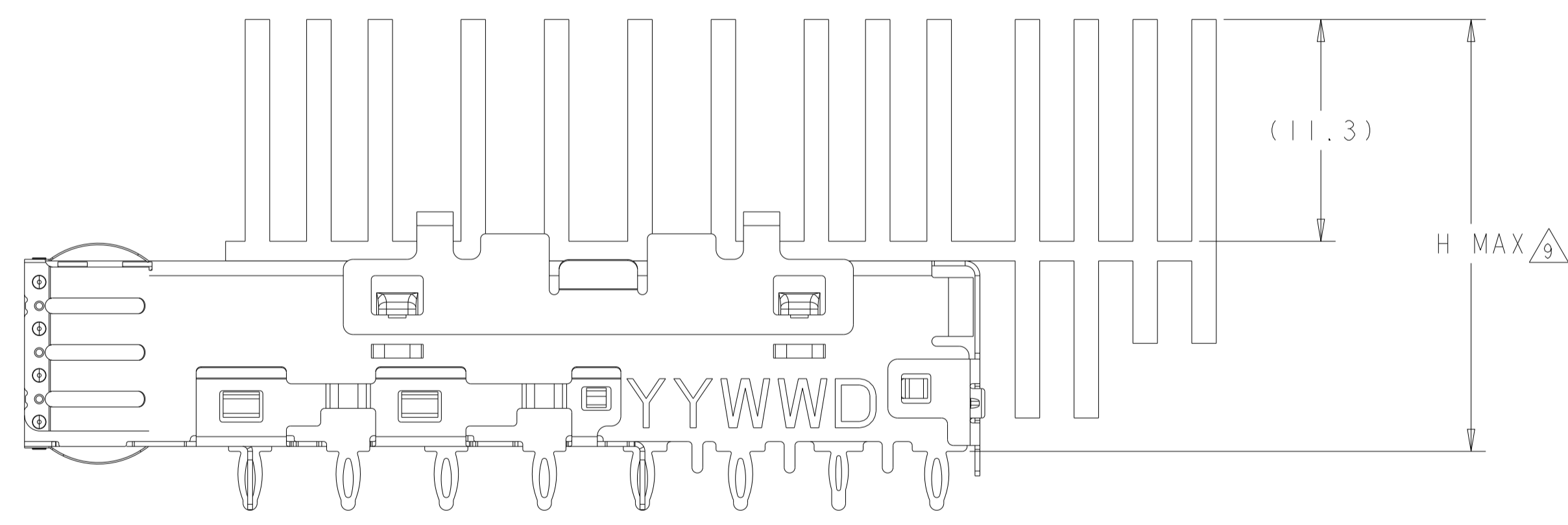
1-2291634-1 AS SHOWN  
WITHOUT INSULATING TAPE, WITH EXTEND PIN TYPE HEAT SINK



1-2291634-2 AS SHOWN  
WITHOUT INSULATING TAPE, WITH EXTEND PIN TYPE HEAT SINK



1-2291634-1 AS SHOWN  
EXCEPT HEATSINK SAME AS 2291634-1

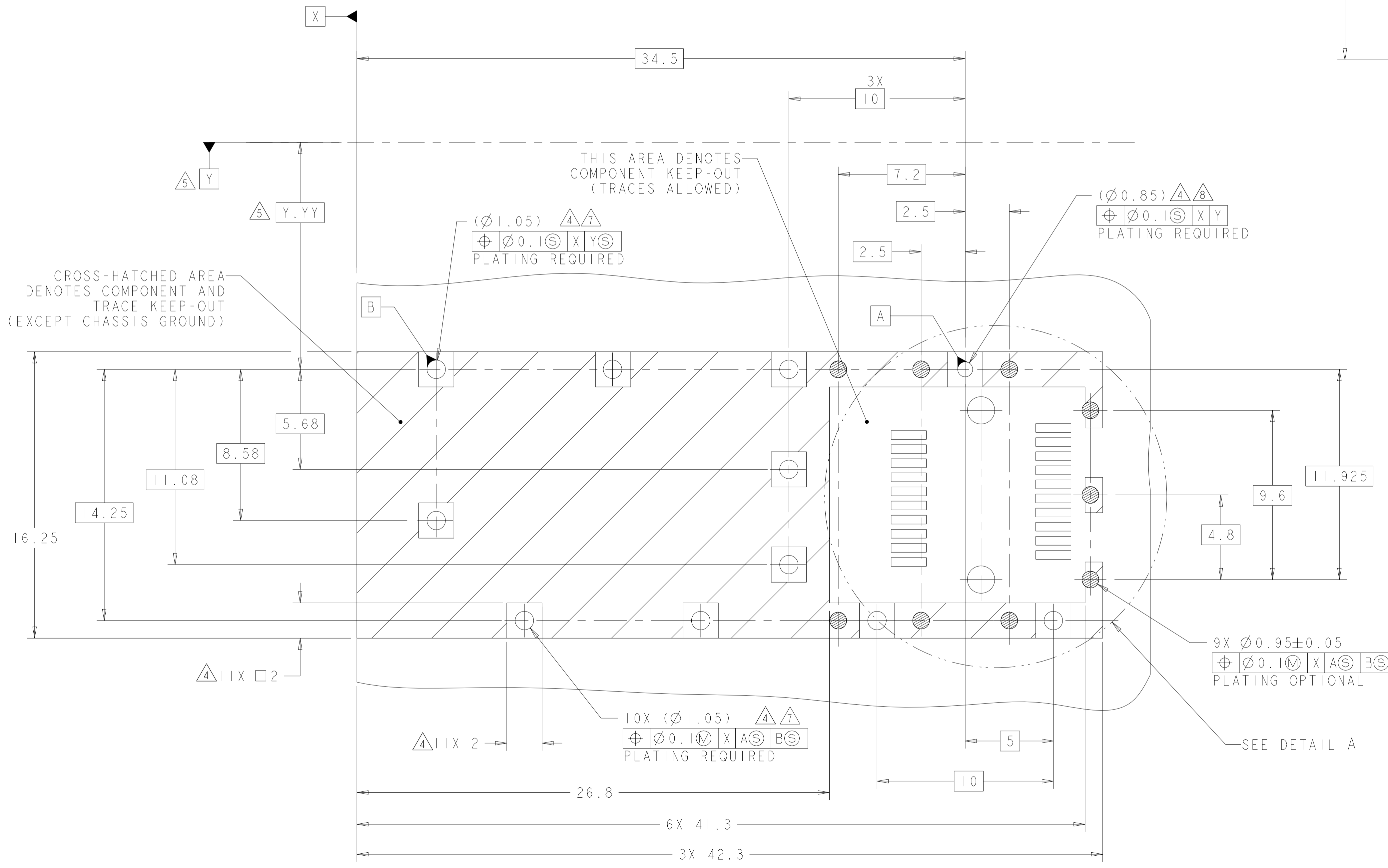
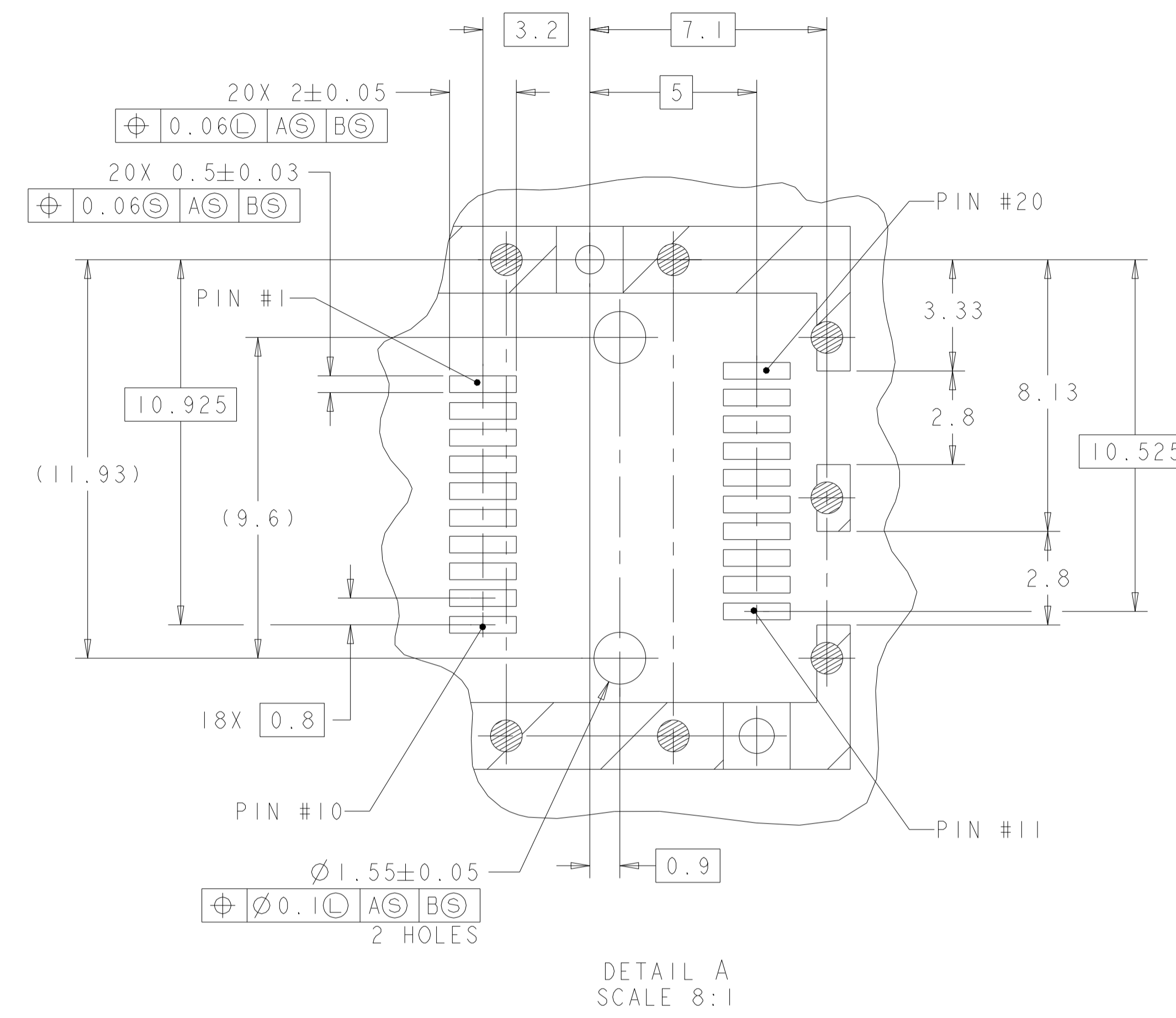
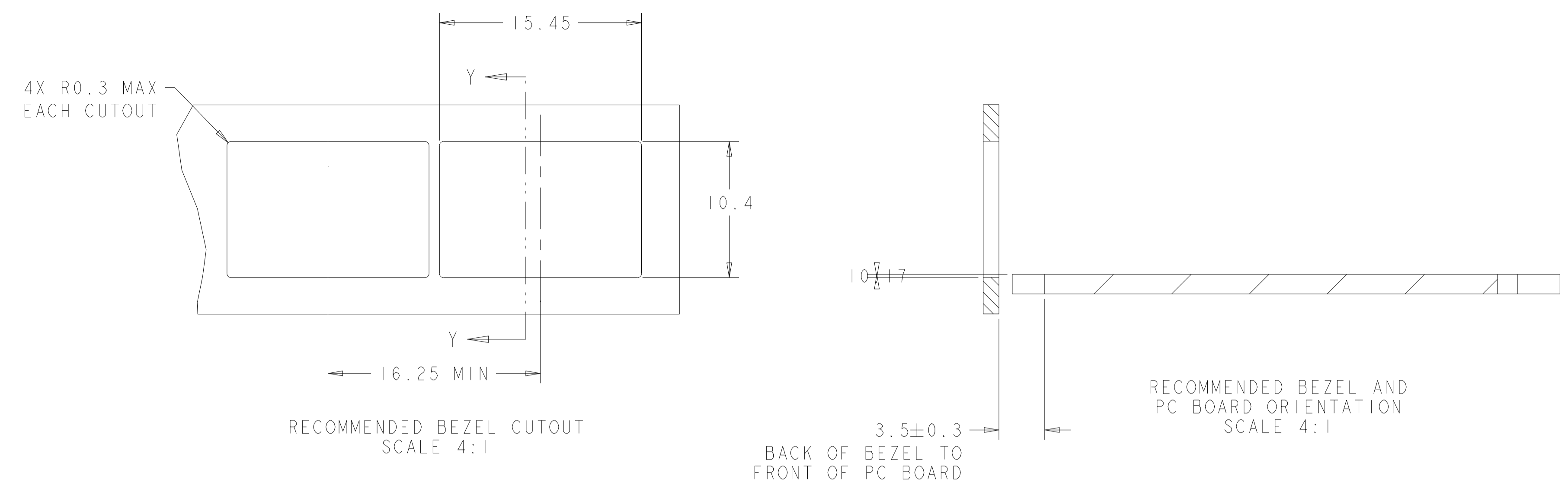


SCALE 4:1

1-2291634-2 AS SHOWN  
EXCEPT HEATSINK SAME AS 1-2291634-1

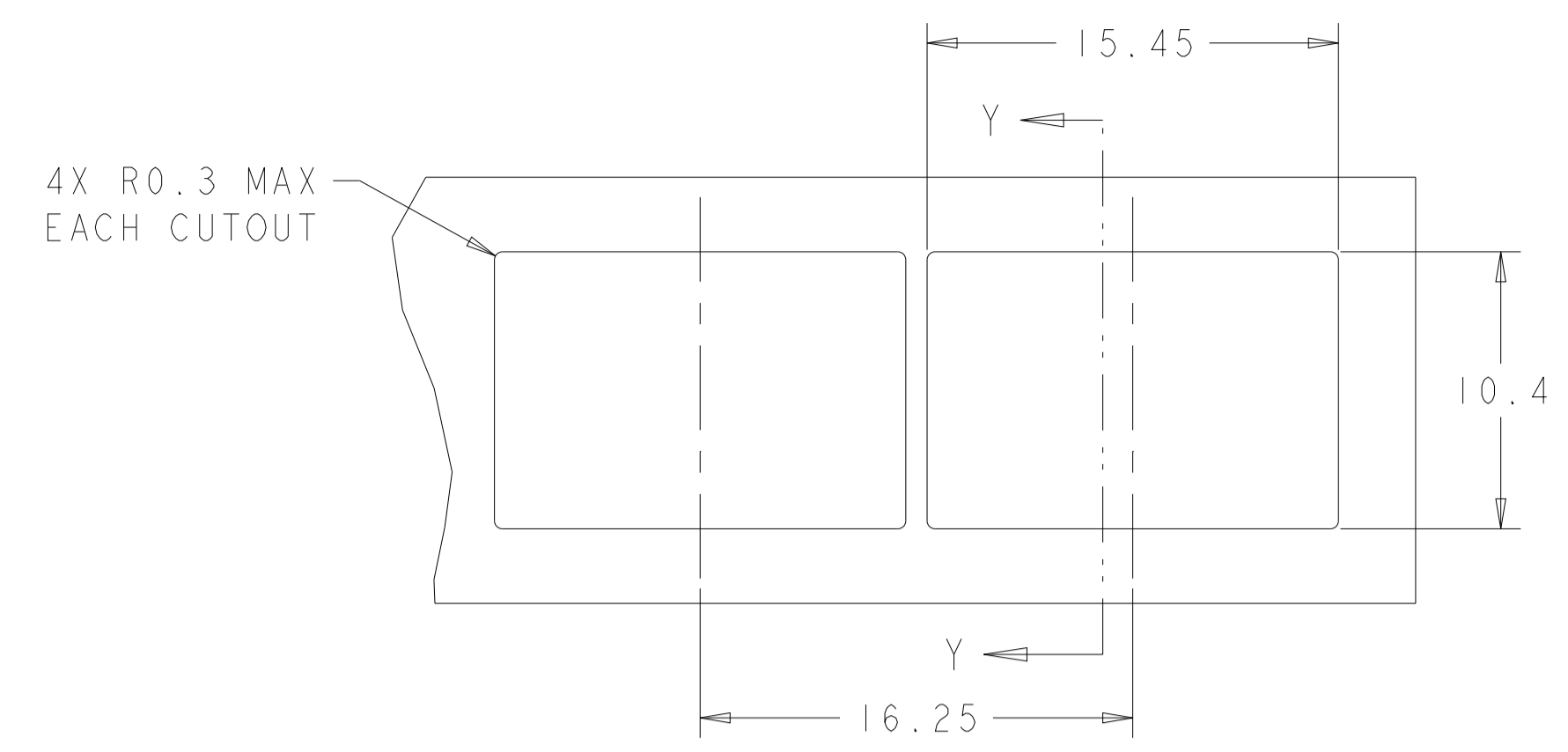
|  |              |                             |  |
|--|--------------|-----------------------------|--|
| THIS DRAWING IS A CONTROLLED DOCUMENT. |              | DMN: PETER PAN 17MAR2015    | TE Connectivity  |
| DIMENSIONS: mm                         |              | CHK: SEAN HAN 17MAR2015     |  |
| TOLERANCES UNLESS OTHERWISE SPECIFIED: |              | APVD: SEAN HAN 17MAR2015    | NAME: SFP+ IXI CAGE ASSEMBLY, PRESS-FIT PRESS-FIT, EMI SPRINGS WITH HEATSINK |
| 0 PLC ±0.1                             | 1 PLC ±0.1   | PRODUCT SPEC: 108-2364      | SIZE: A1   |
| 2 PLC ±0.1                             | 3 PLC ±0.05  | APPLICATION SPEC: 114-13120 | CAGE CODE: 2291634   |
| 4 PLC ±0.05                            | ANGLES ±0.05 | WEIGHT: -                   | RESTRICTED TO: -   |
| MATERIAL FINISH                        |              | CUSTOMER DRAWING            | SCALE: 6:1 SHEET 3 OF 5 REV: A4  |

| LOC |    | DIST |     | REVISIONS   |      |     |      |
|-----|----|------|-----|-------------|------|-----|------|
| GP  | 00 | P    | LTN | DESCRIPTION | DATE | DMN | APVD |
|     |    |      |     | SEE SHEET 1 |      |     |      |

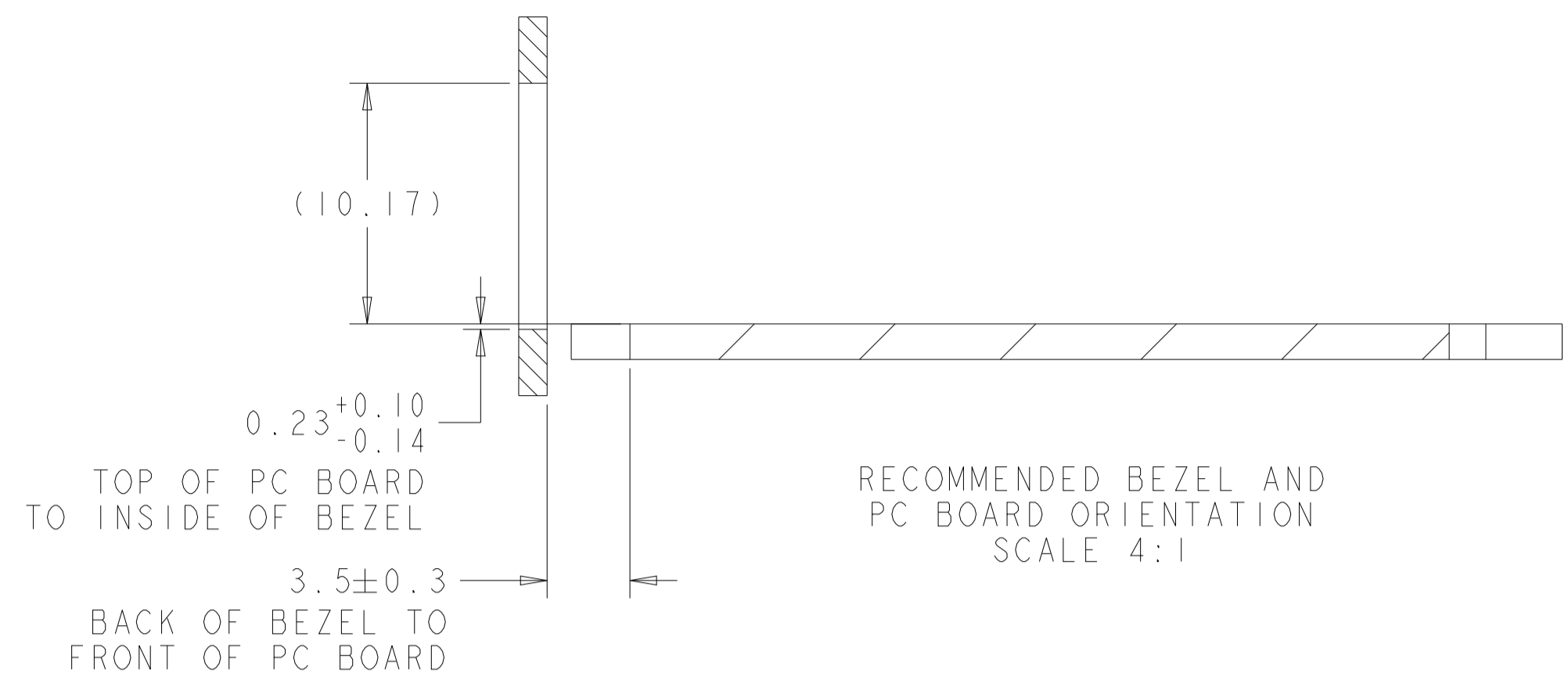


|  |              |                          |  |
|--|--------------|--------------------------|--|
| THIS DRAWING IS A CONTROLLED DOCUMENT. |              | DMN: PETER PAN 17MAR2015 | TE Connectivity  |
| DIMENSIONS: mm                         |              | CHK: SEAN HAN 17MAR2015  |  |
| TOLERANCES UNLESS OTHERWISE SPECIFIED: |              | APVD: SEAN HAN 17MAR2015 | NAME: SFP+ 1X1 CAGE ASSEMBLY, PRESS-FIT PRESS-FIT, EMI SPRINGS WITH HEATSINK |
| 0 PLC ±0.1                             | 1 PLC ±0.1   | PRODUCT SPEC 108-2364    | APPLICATION SPEC   |
| 2 PLC ±0.1                             | 3 PLC ±0.05  | 114-13120                | SIZE: A1   |
| 4 PLC ±0.05                            | ANGLES ±0.05 | FINISH                   | SCALE: 2   |
| MATERIAL                               | FINISH       | WEIGHT                   | CAGE CODE: 2291634   |
| CUSTOMER DRAWING                       |              | SCALE: 2                 | SHEET 4 OF 5   |

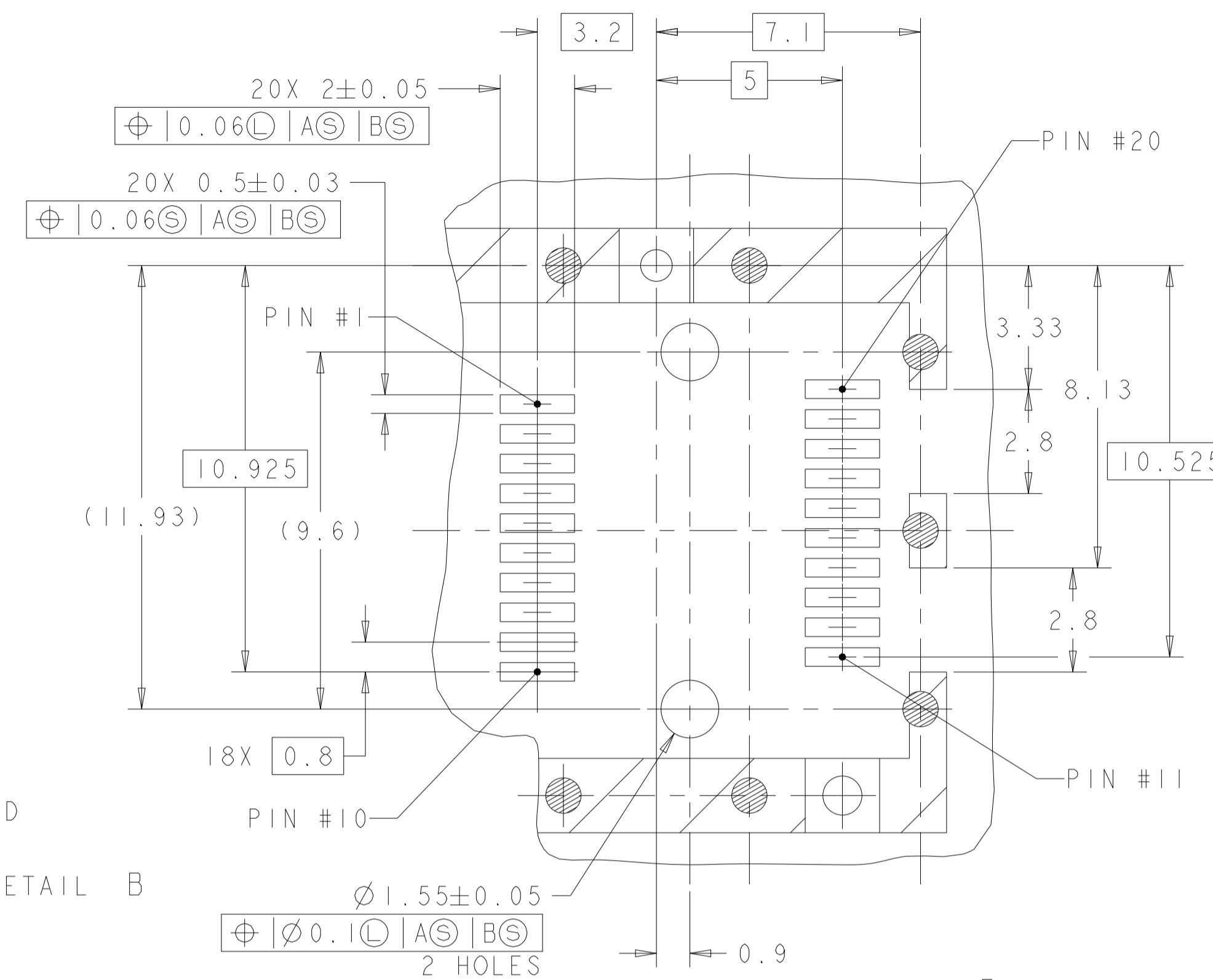
| LOC | DIST | REV | DATE | BY | APPD |
|-----|------|-----|------|----|------|
| GP  | 00   |     |      |    |      |



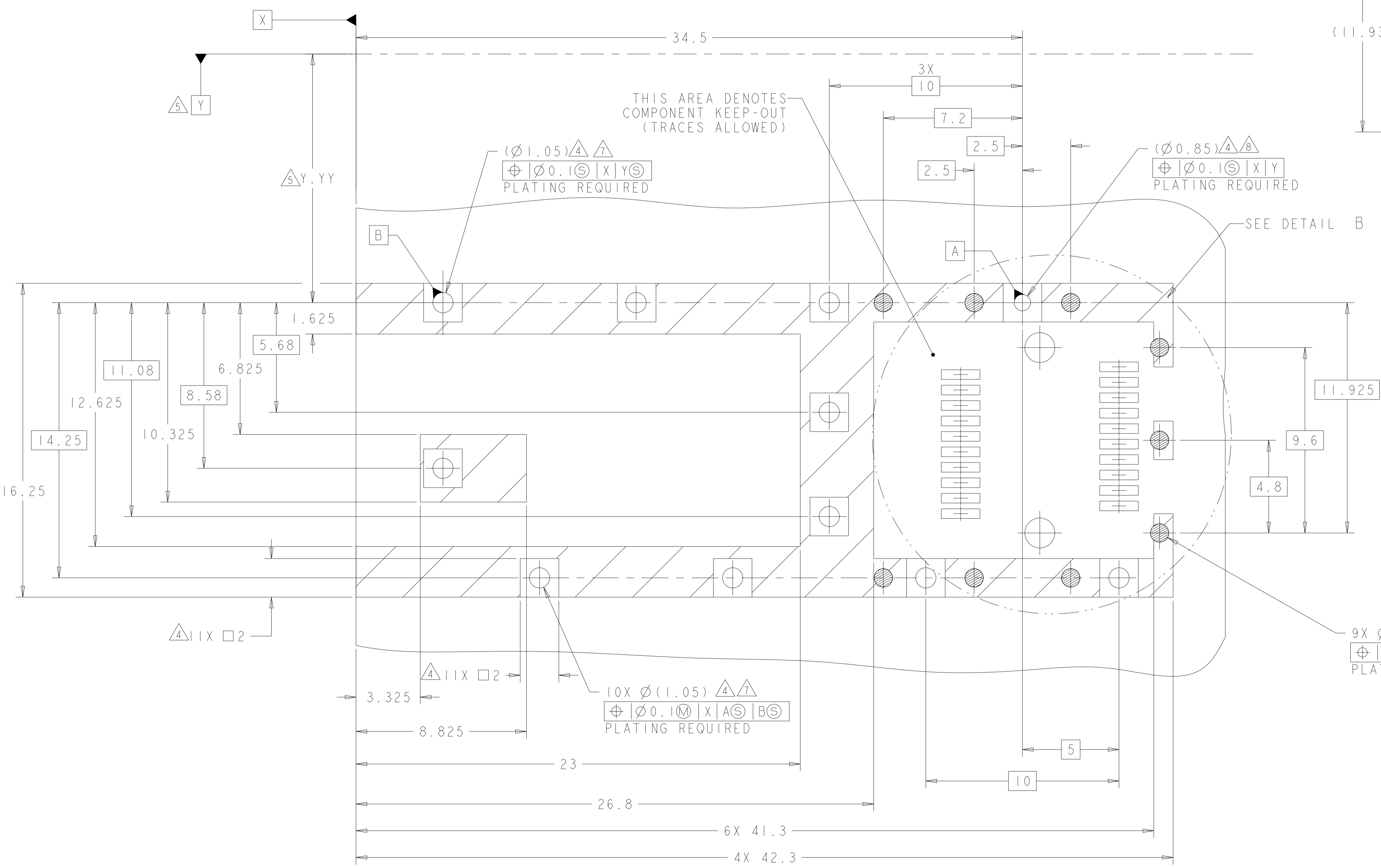
RECOMMENDED BEZEL CUTOUT  
SCALE 4:1



RECOMMENDED BEZEL AND  
PC BOARD ORIENTATION  
SCALE 4:1



DETAIL B  
SCALE 8:1



RECOMMENDED PCB LAYOUT FOR WITH  
INSULATING TAPE PART  
SCALE 8:1

|   |  |  |                 |
|---|--|--|-----------------|
| THIS DRAWING IS A CONTROLLED DOCUMENT.  |  | OWN: PETER PAN 17MAR2015   | TE Connectivity |
| DIMENSIONS:   |  | CHK: SEAN HAN 17MAR2015  |                 |
| TOLERANCES UNLESS OTHERWISE SPECIFIED:  |  | APPD: SEAN HAN 17MAR2015   |                 |
| 0 PLC ±0.1<br>1 PLC ±0.1<br>2 PLC ±0.1<br>3 PLC ±0.05<br>4 PLC ±0.05<br>ANGLES ±0.05<br>MATERIAL FINISH |  | NAME: SFP+ IXI CAGE ASSEMBLY, PRESS-FIT PRESS-FIT, EMI SPRINGS WITH HEATSINK |                 |
| MATERIAL:   |  | SIZE: A1   | RESTRICTED TO:  |
| CUSTOMER DRAWING  |  | CAGE CODE: 108-2364  | SCALE: 2        |
|   |  | DRAWING NO: 114-13120  | SHEET: 5 OF 5   |
|   |  | WEIGHT:  | REV: A4         |
|   |  | 100779   |                 |
|   |  | 2291634  |                 |