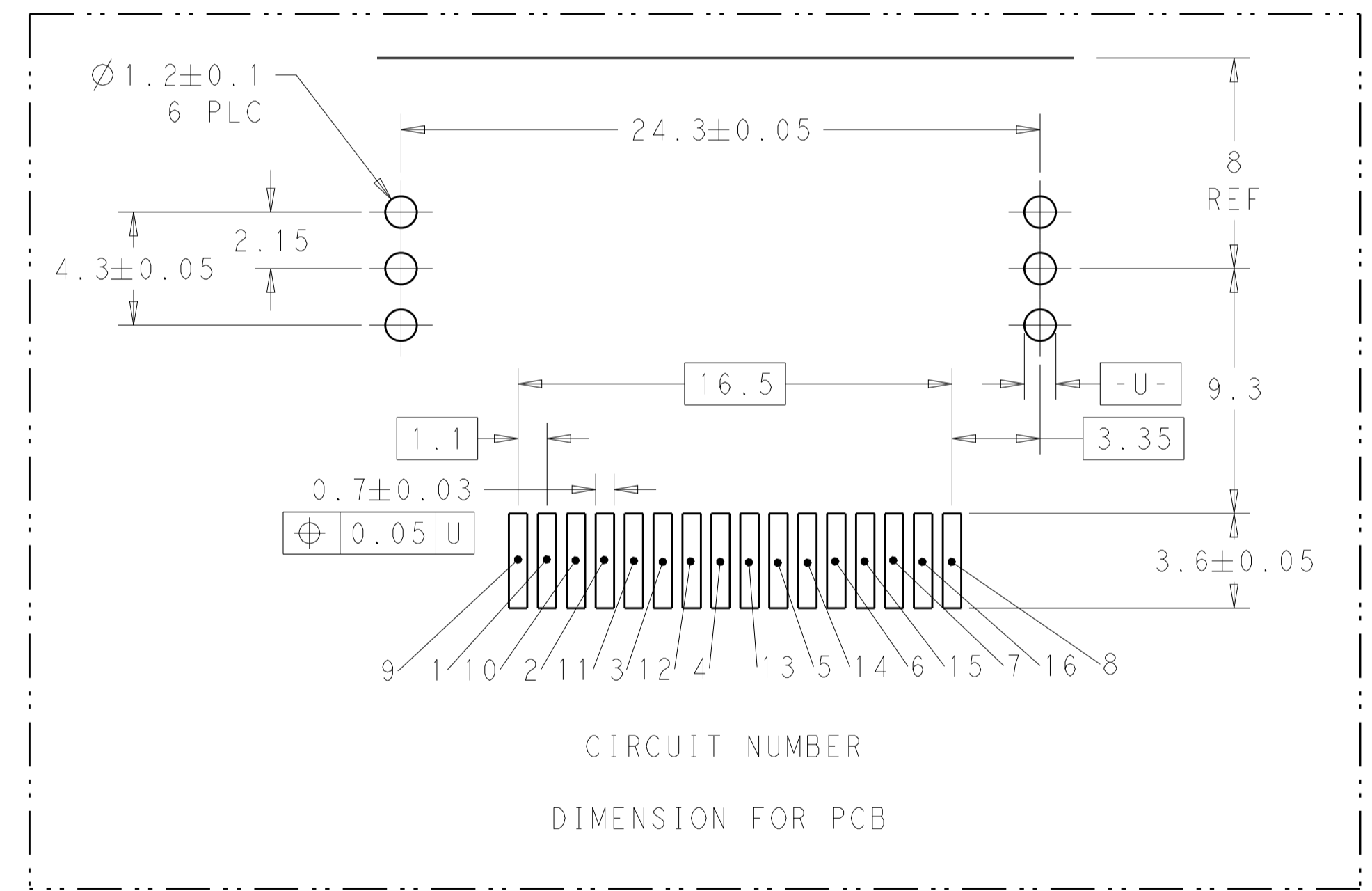
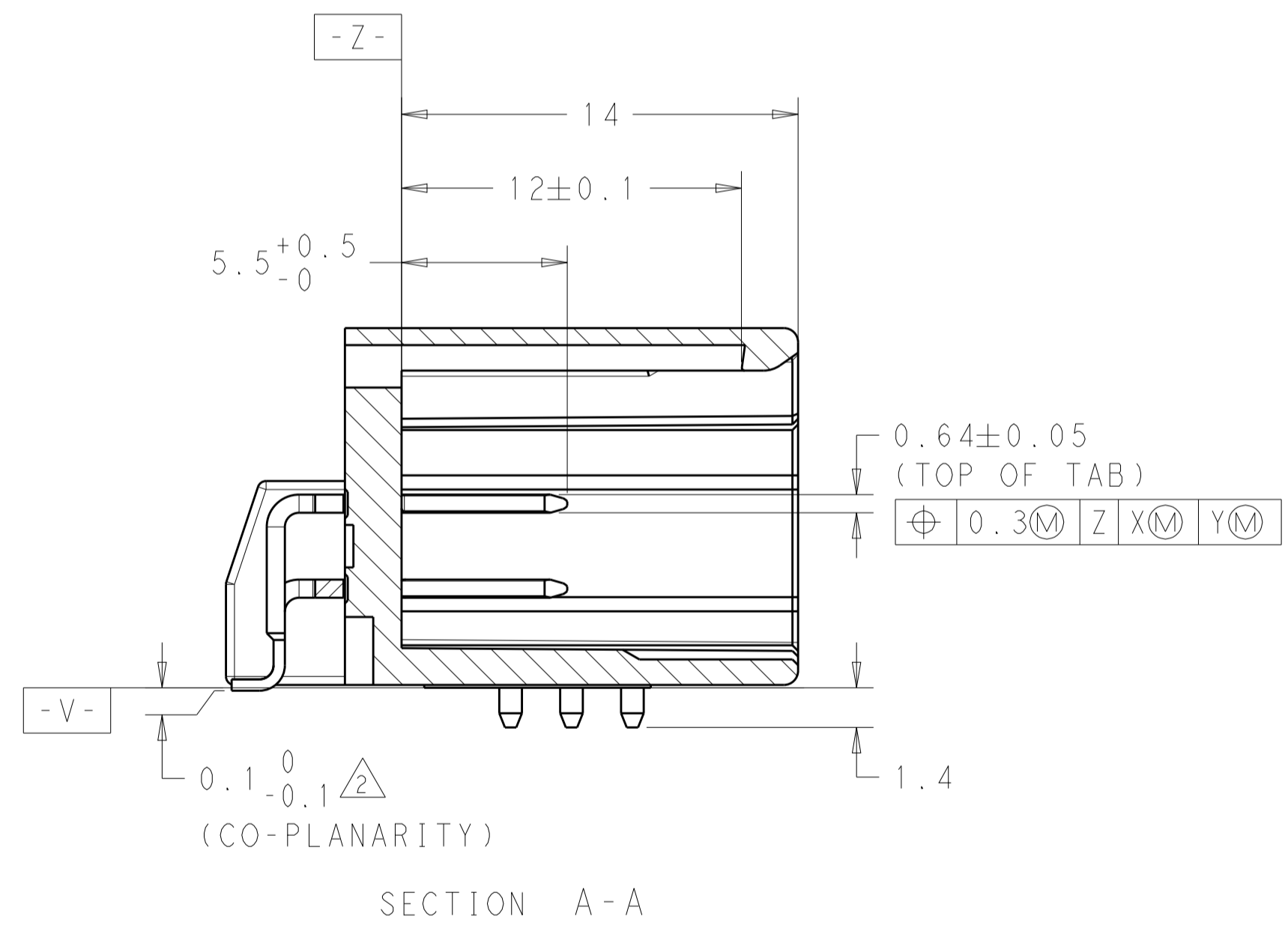
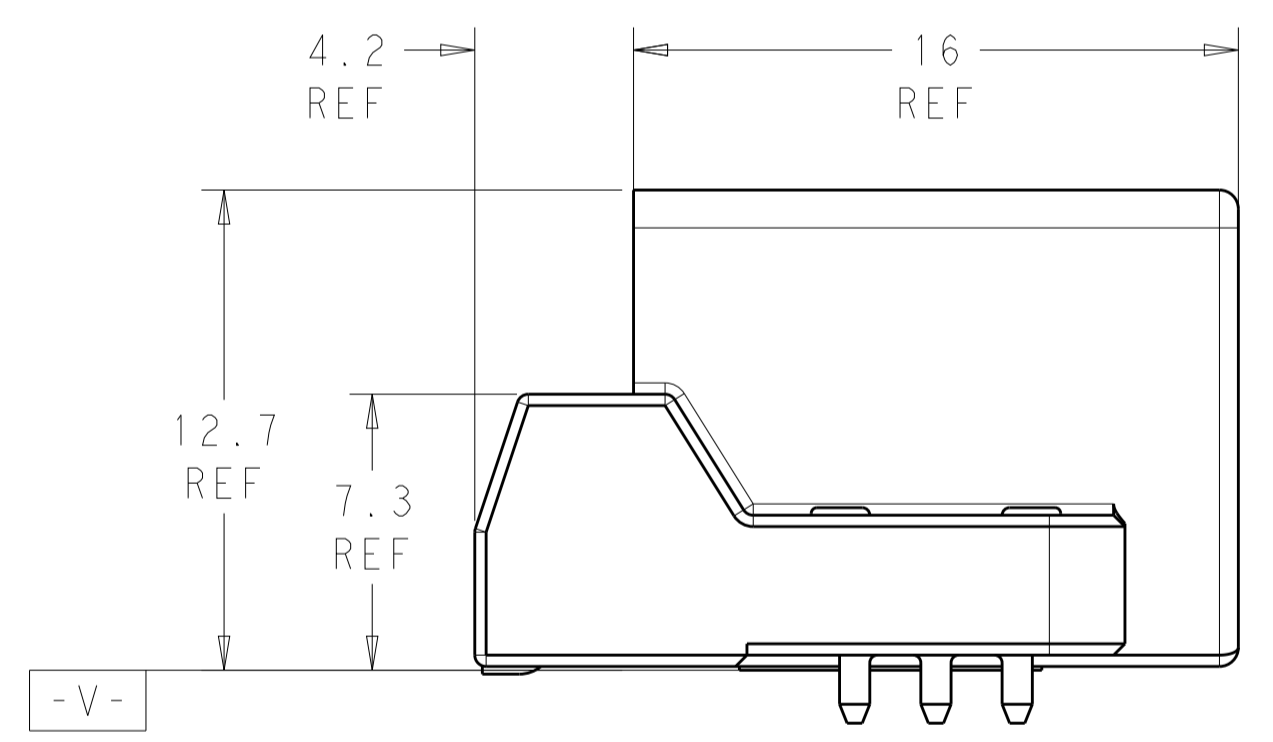
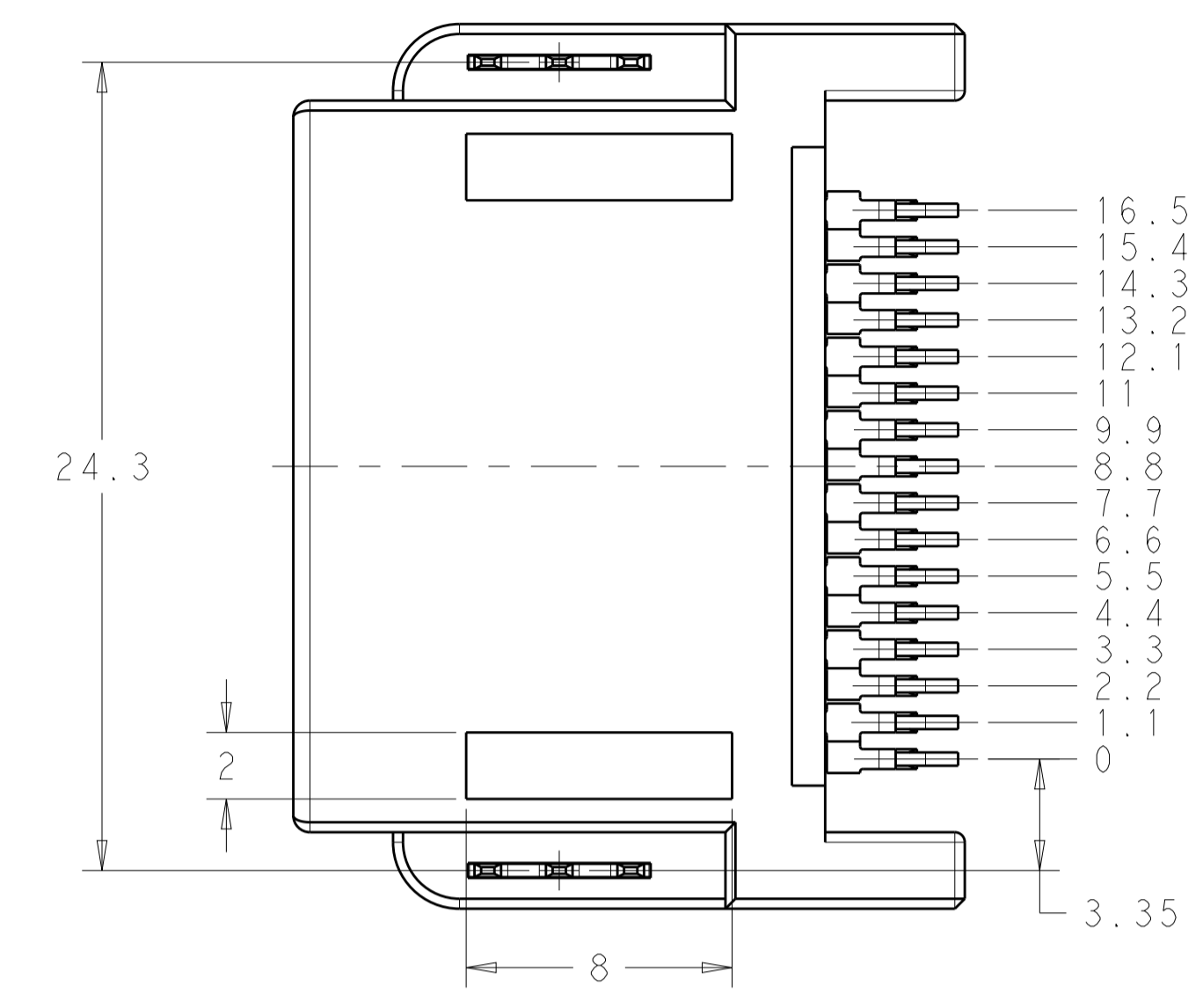
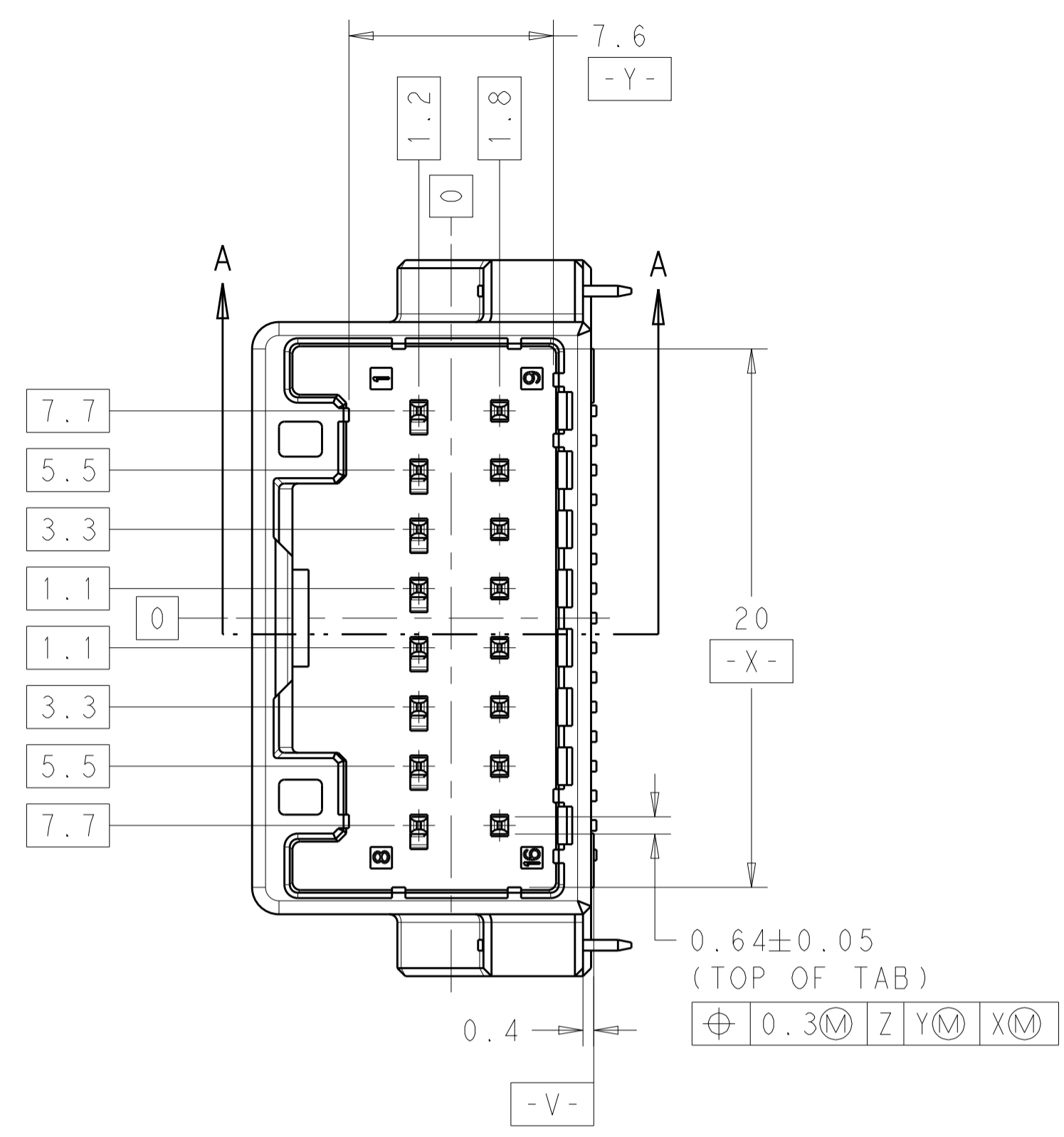
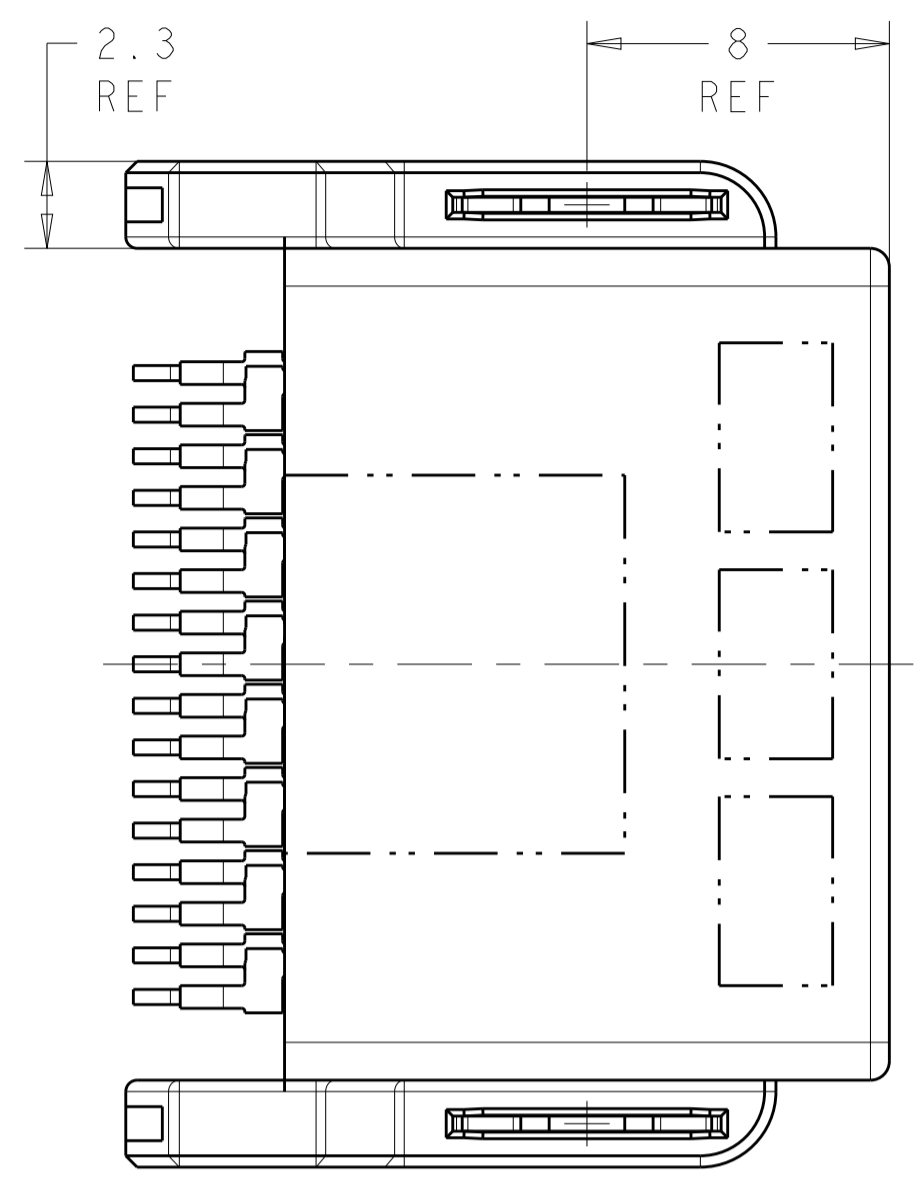
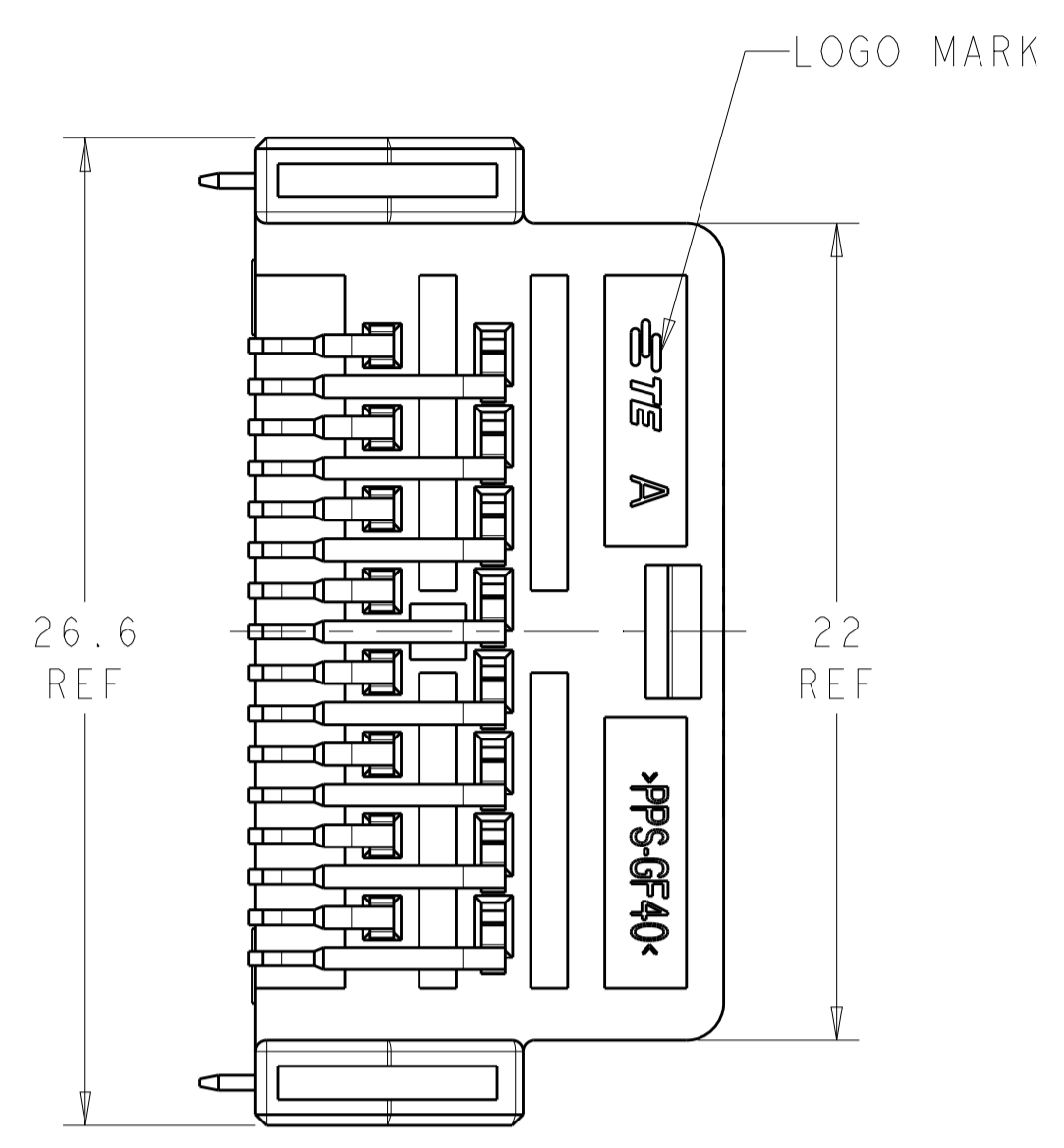
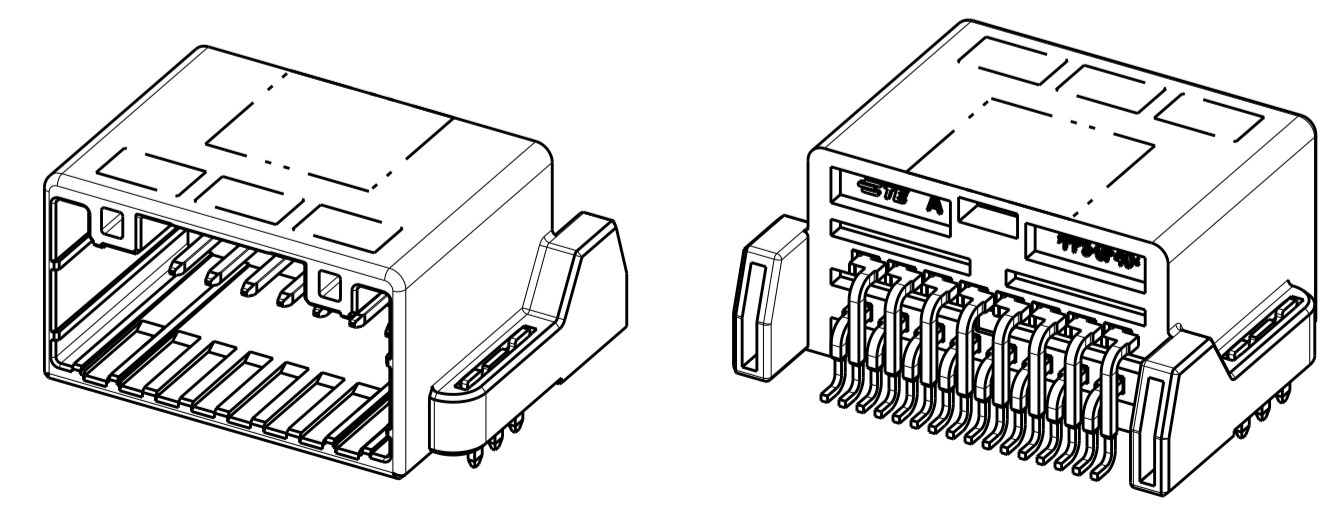
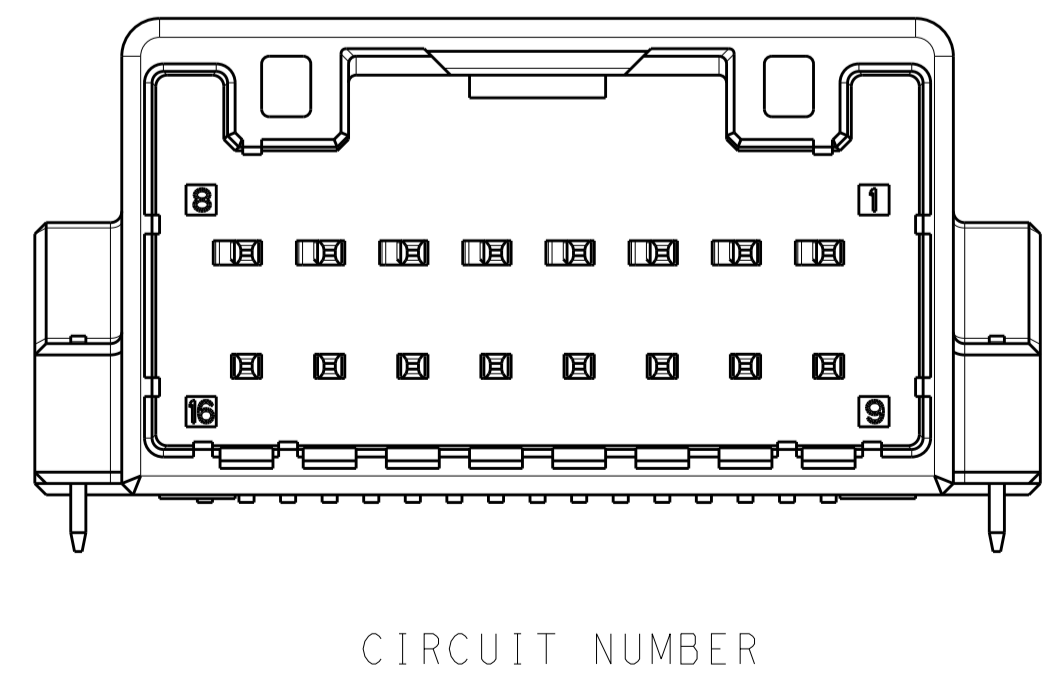


REVISIONS					
P	LTN	DESCRIPTION	DATE	DWN	APVD
A		NPR ECO-16-009835	29JUN2016	JC	JL
A1		REVISED ECR-16-012540	01SEP2016	JC	LSF



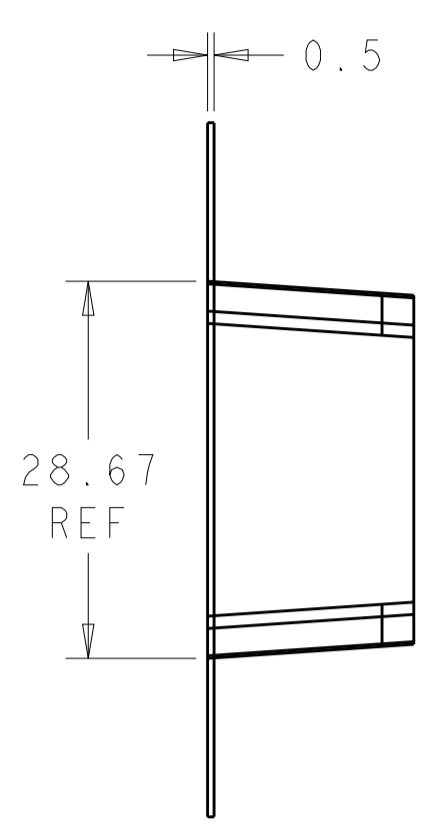
NOTE:  
 1. PACKAGING : 15" TAPE & REEL  
 THIS DIMENSION IS MEASURED FROM LOWEST PIN TO HIGHEST PIN ALL PINS TO BE BELOW DATUM V



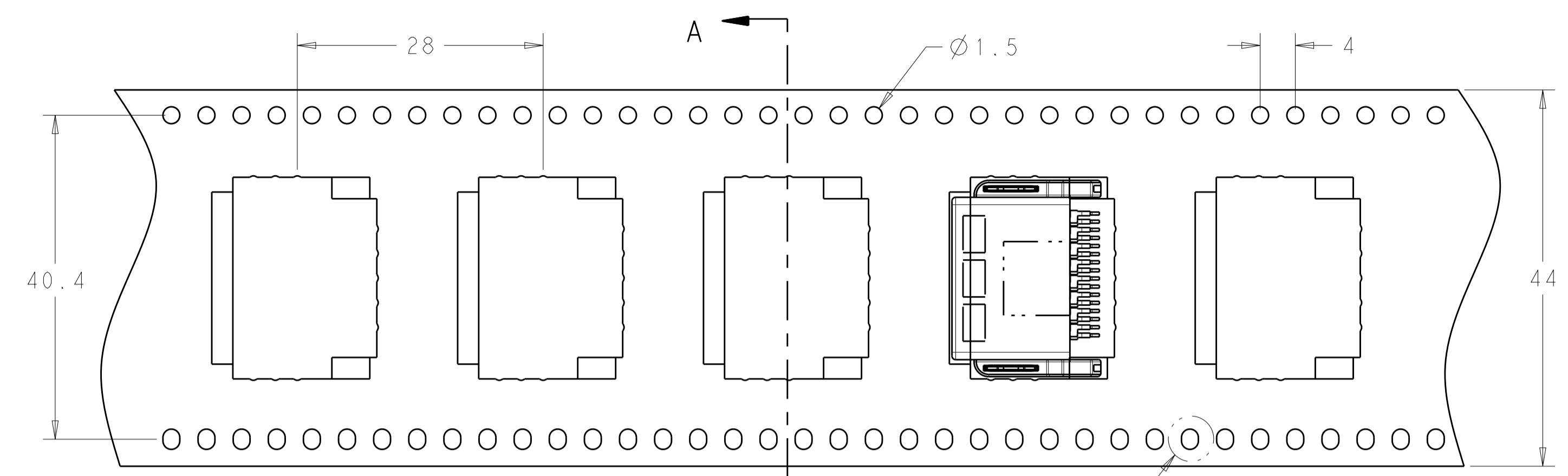
SCALE 5:2

BRASS	POST TIN OVER NI	BRASS	POST TIN OVER NI	PPS	BLACK	2291174-1
MATERIAL	PLATING	MATERIAL	PLATING	MATERIAL	COLOR	PART NUMBER
SOLDER PEG		CONTACT		HOUSING		
THIS DRAWING IS A CONTROLLED DOCUMENT.				DWN: JASON CHOW 29JUN2016		TE Connectivity
DIMENSIONS: mm				CHK: JIL LIM 29JUN2016		
TOLERANCES UNLESS OTHERWISE SPECIFIED:				APVD: SE LEONG 29JUN2016		NAME: 16 POSITION CAP ASSEMBLY SIZE: CAGE CODE: DRAWING NO: A100779C=2291174 WEIGHT: 4.1g CUSTOMER DRAWING
0 PLC ±0.3 1 PLC ±0.3 2 PLC ±0.3 3 PLC ±0.3 4 PLC ±0.3 ANGLES ±0.3°				PRODUCT SPEC: APPLICATION SPEC:		
MATERIAL: SEE TABLE				FINISH: SEE TABLE		RESTRICTED TO: - SCALE: 5:1 SHEET 1 OF 2 REV: A1

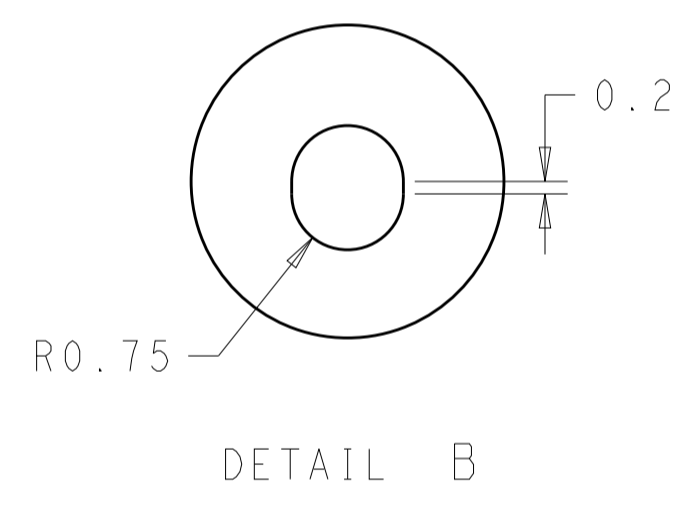
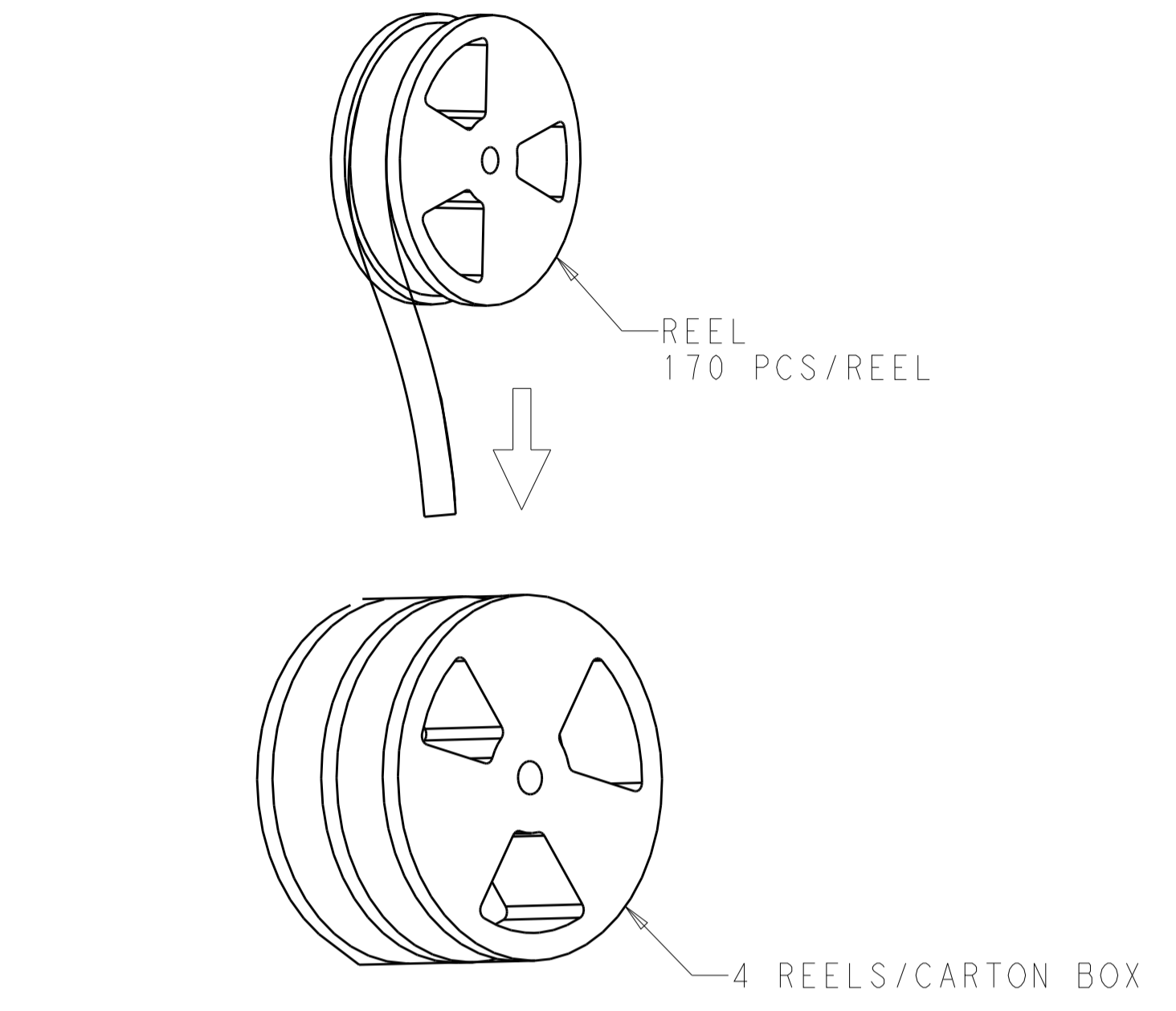
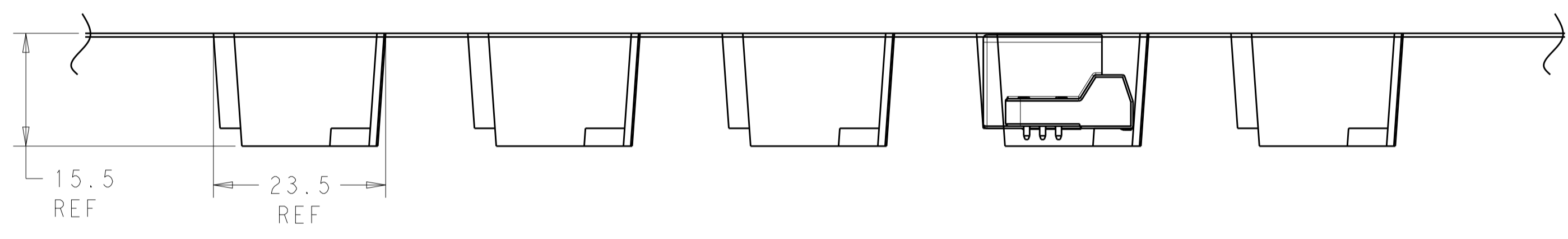
REVISIONS				
P.	LTN	DESCRIPTION	DATE	APVD
-	-	SEE SHEET 1	-	-



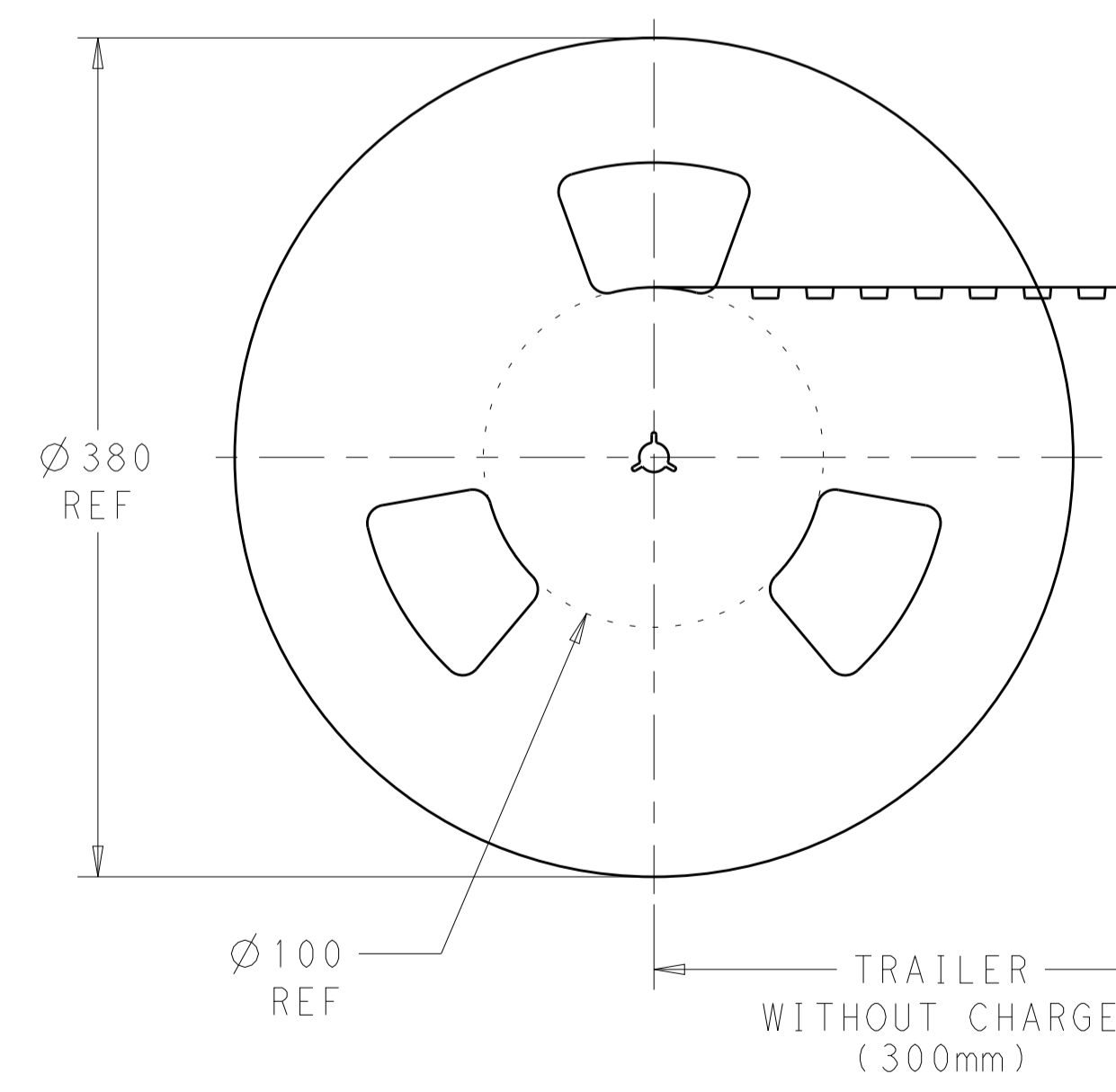
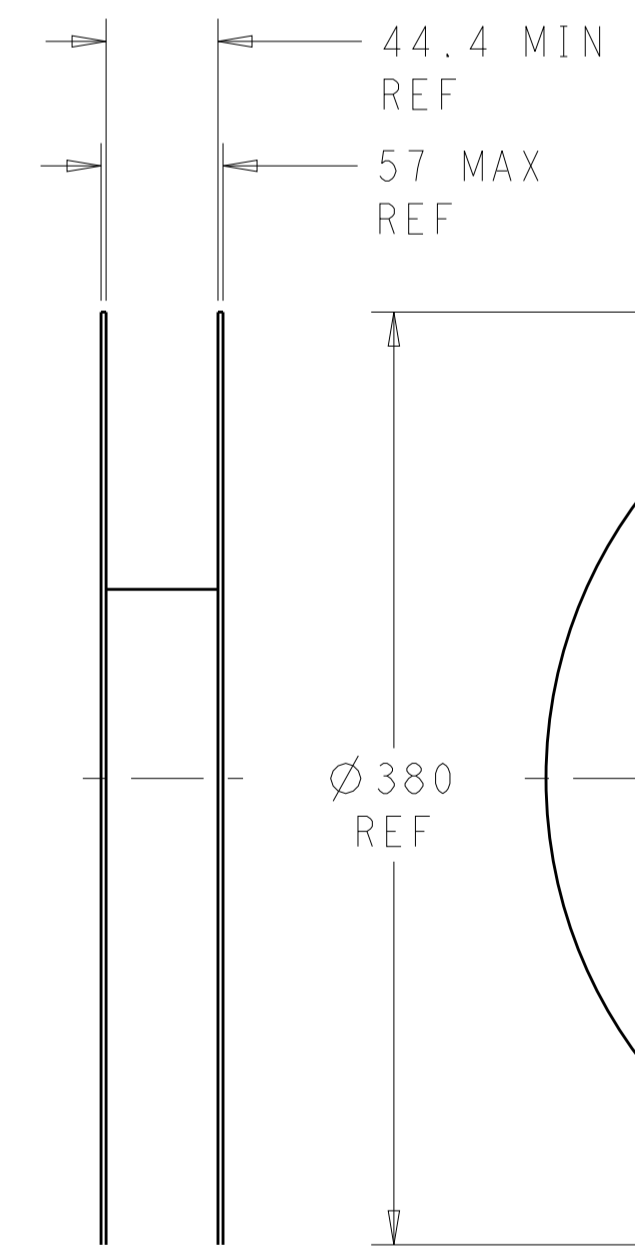
SECTION A-A



CUSTOMER DE-REEL DIRECTION



DETAIL B

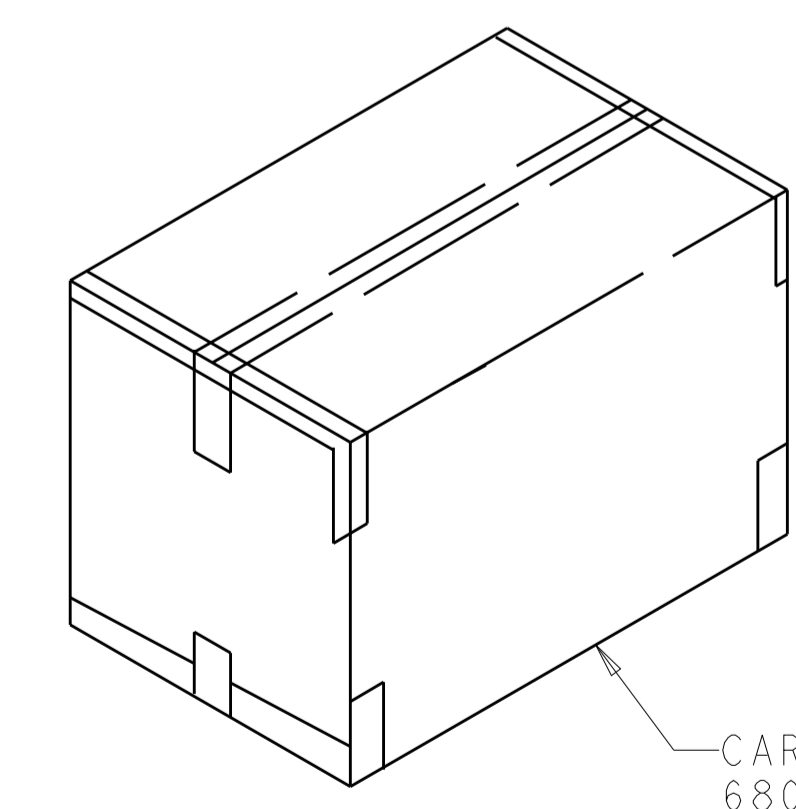
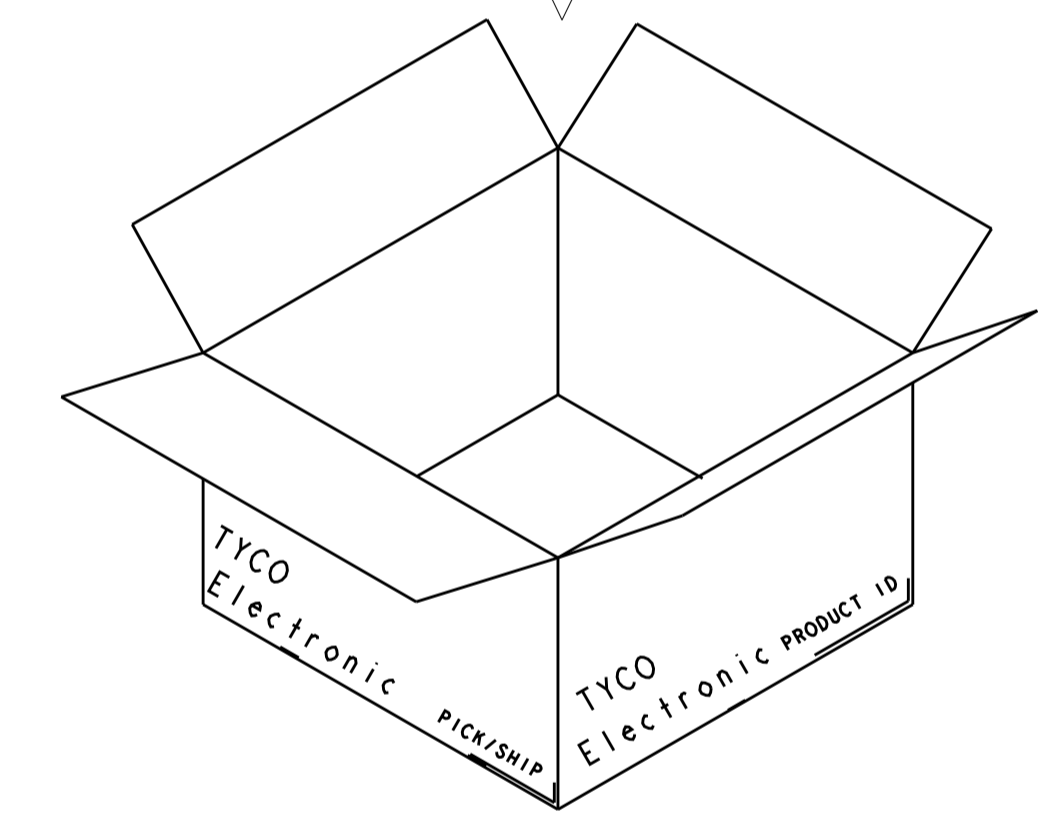


WINDING COVER TAPE AROUND OUTER PERIPHERY IN ONE TURN

165°~180° PEELING ANGLE

WITH PRODUCT CHARGE LEADER WITHOUT CHARGE (300mm)

PEELING RESISTANCE: 0.2N~0.9N (20gf ~90gf)  
 PEELING ANGLE: 165°~180°  
 PEELING SPEED: 300mm/min  
 QUANTITY PER REEL: 170 PIECES



CARTON BOX 680 PCS/BOX

THIS DRAWING IS A CONTROLLED DOCUMENT.		DWN: JASON CHOW 29JUN2016 CHN: JIL LIM 29JUN2016 APVD: SE LEONG 29JUN2016	TE Connectivity	
DIMENSIONS: mm 		TOLERANCES UNLESS OTHERWISE SPECIFIED: 0 PLC ±0.3 1 PLC ±0.3 2 PLC ±0.3 3 PLC ±0.3 4 PLC ±0.3 ANGLES ±0.3°	NAME: 16 POSITION CAP ASSEMBLY PRODUCT SPEC: APPLICATION SPEC:	RESTRICTED TO:
MATERIAL:		FINISH:	SIZE: A1 CAGE CODE: 100779 DRAWING NO: 2291174	SCALE: NTS SHEET: 2 OF 2 REV: A1
CUSTOMER DRAWING				