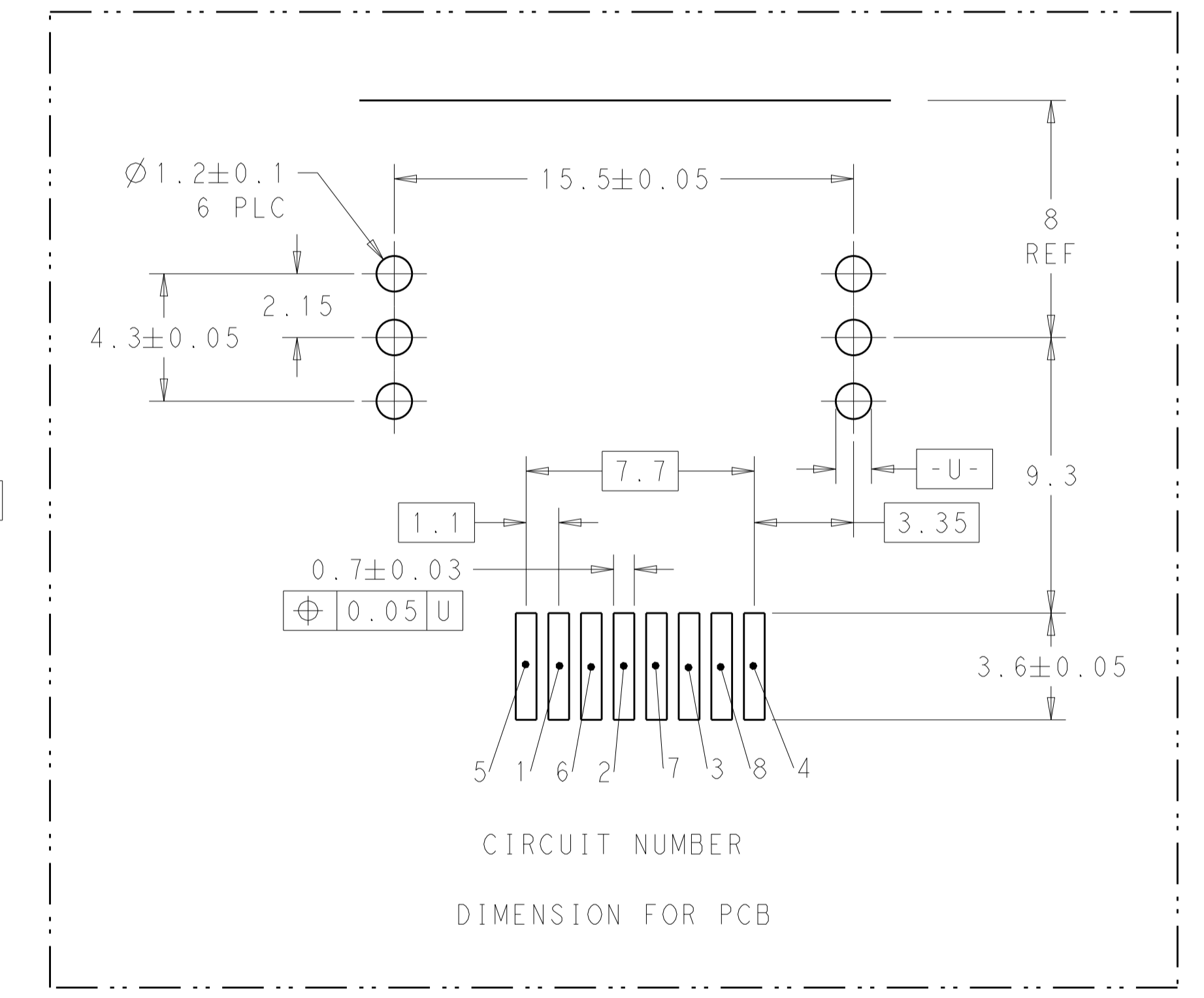
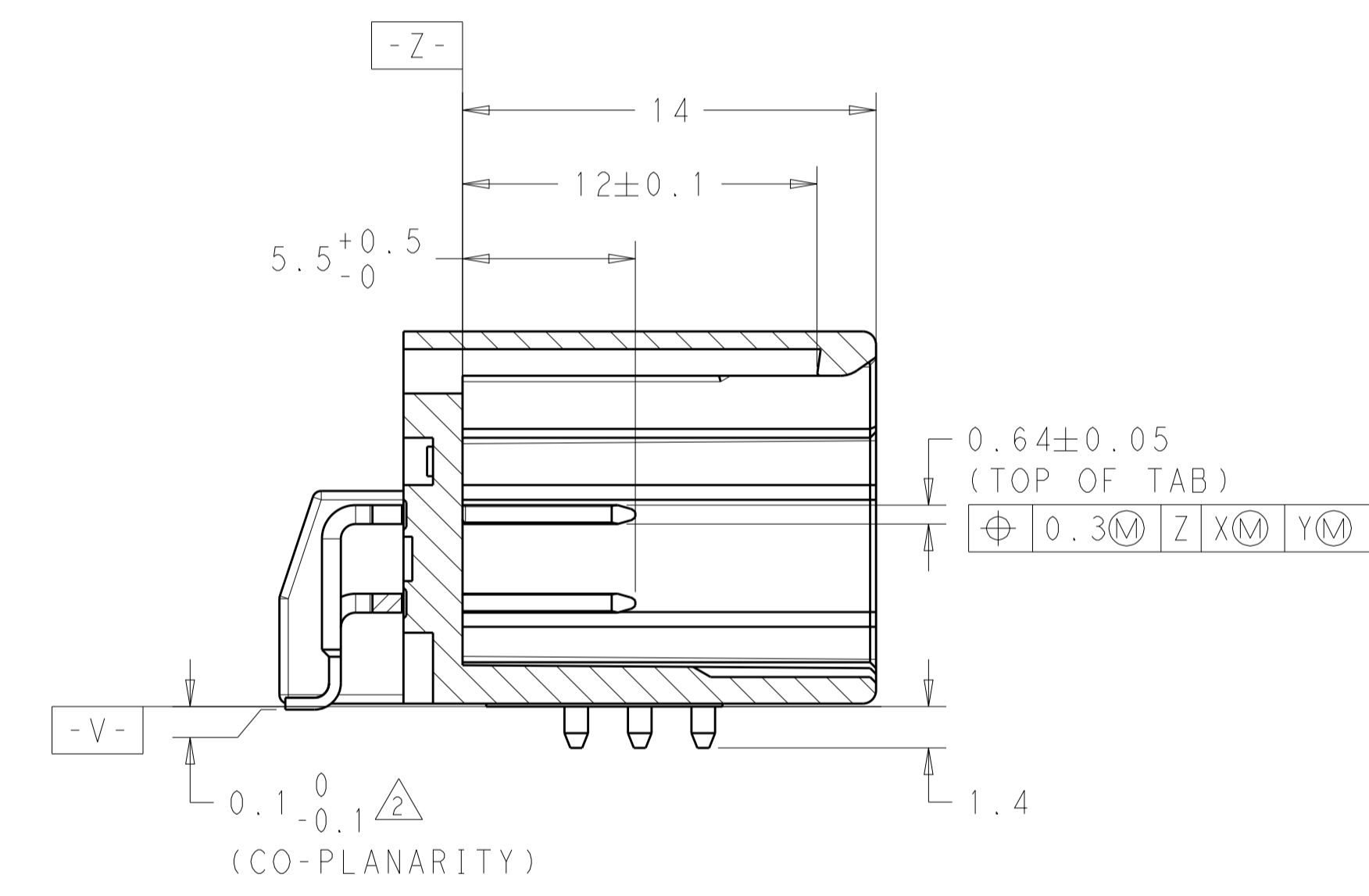
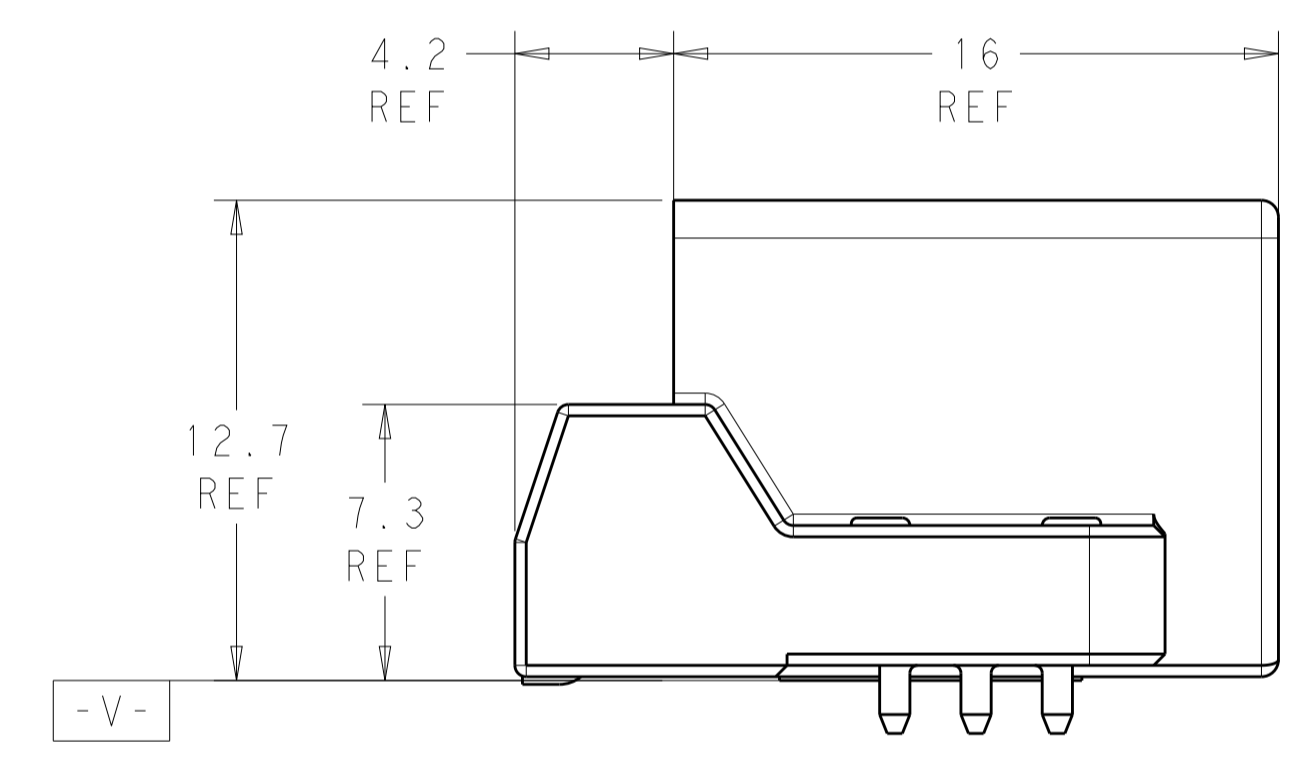
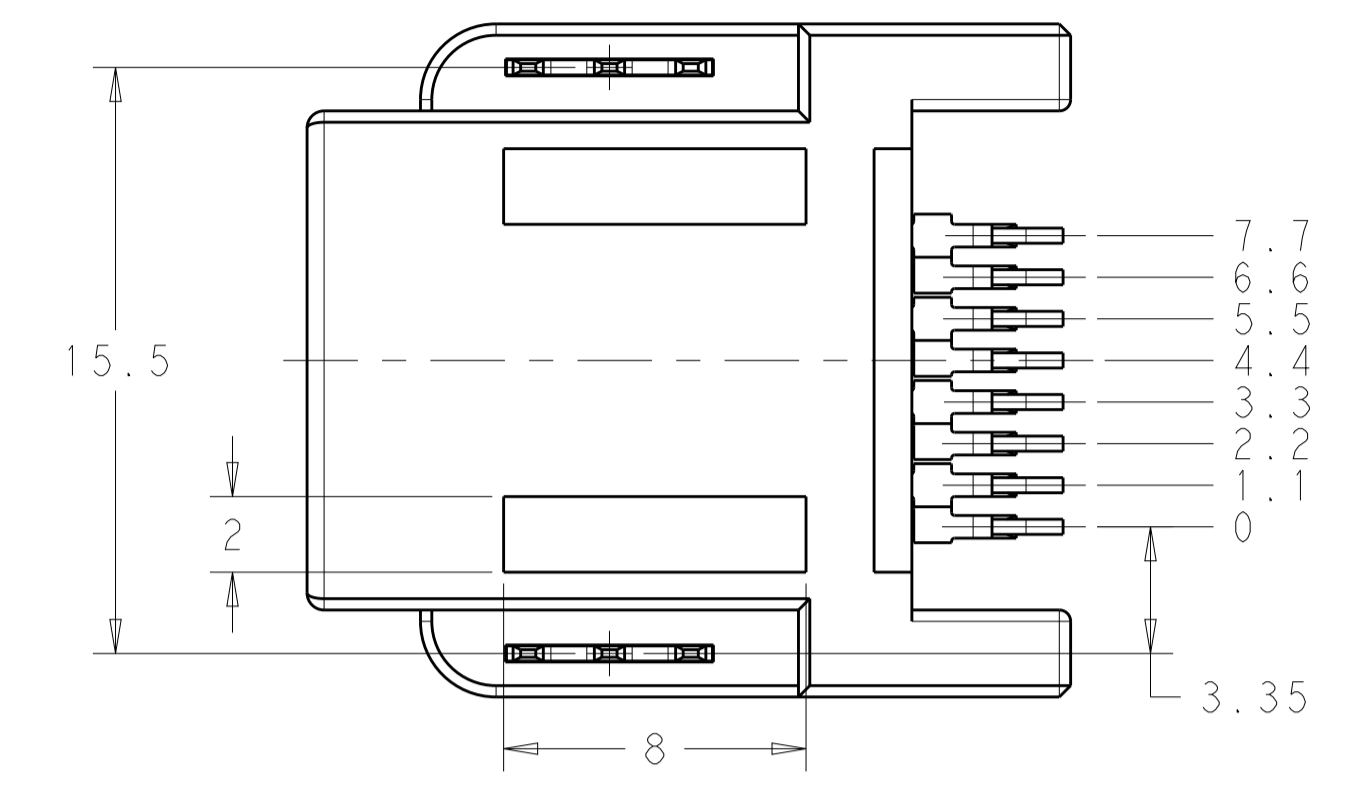
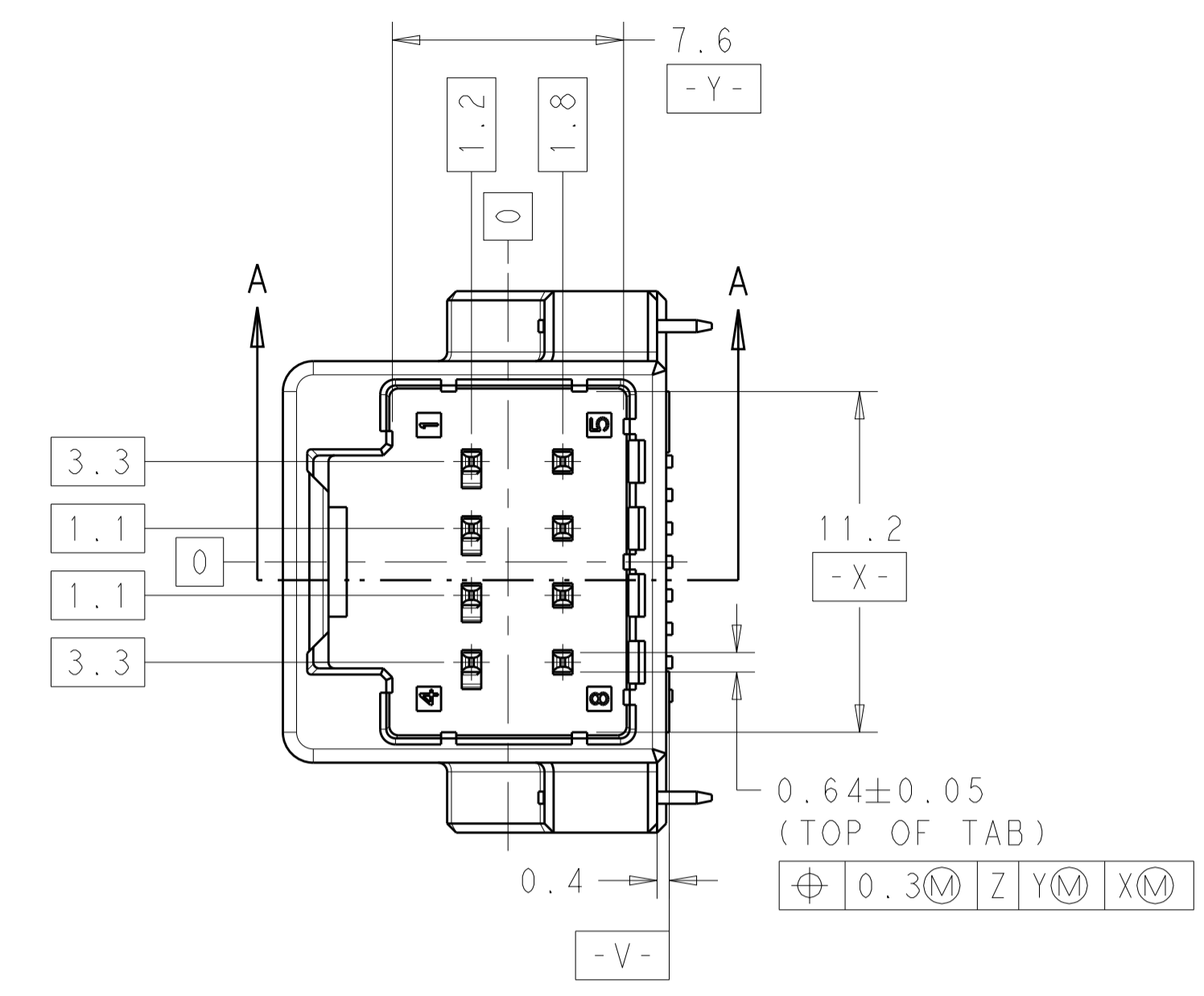
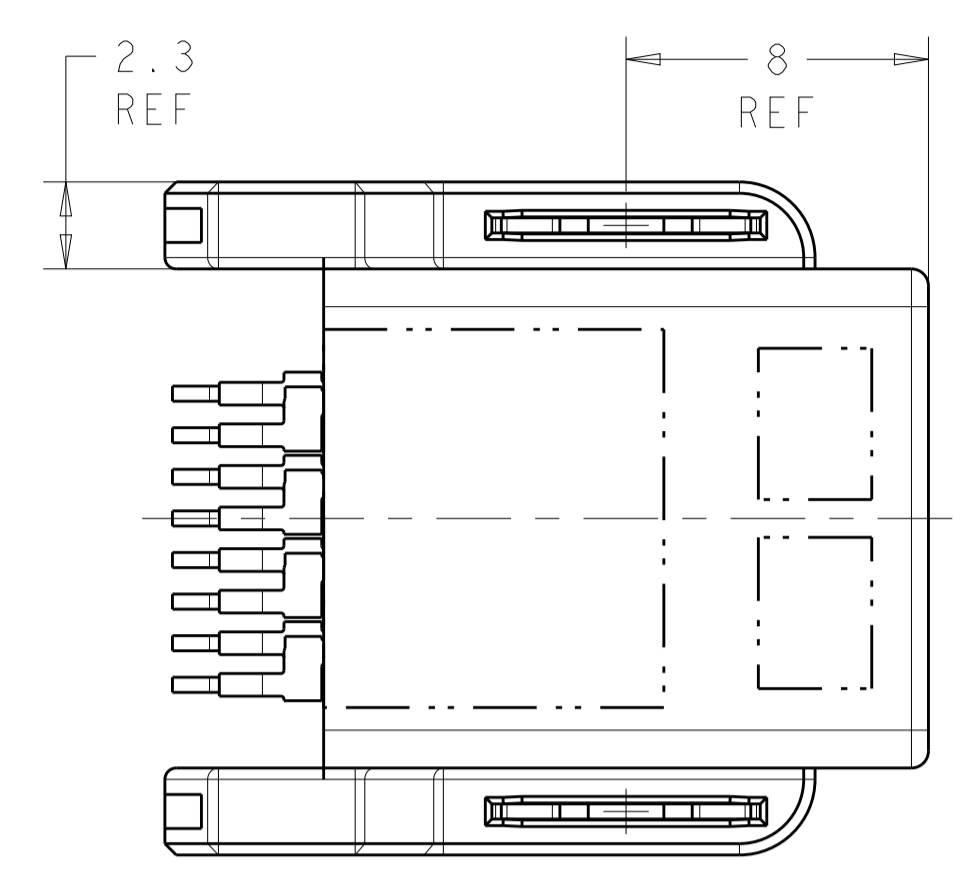
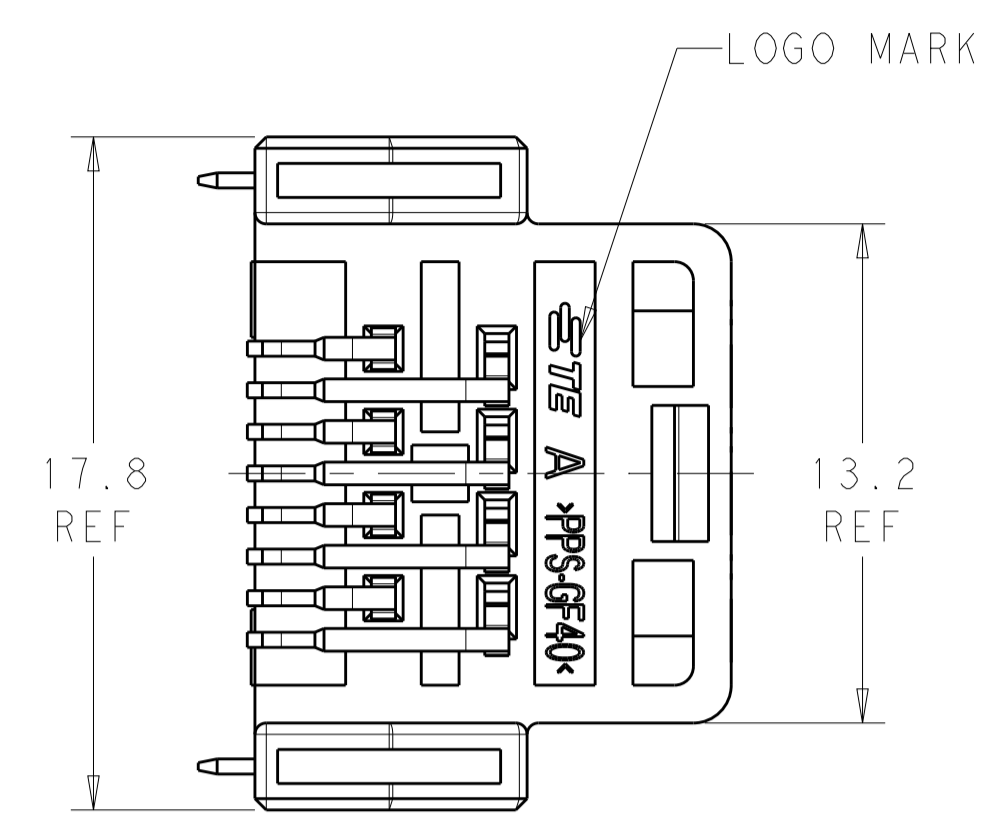
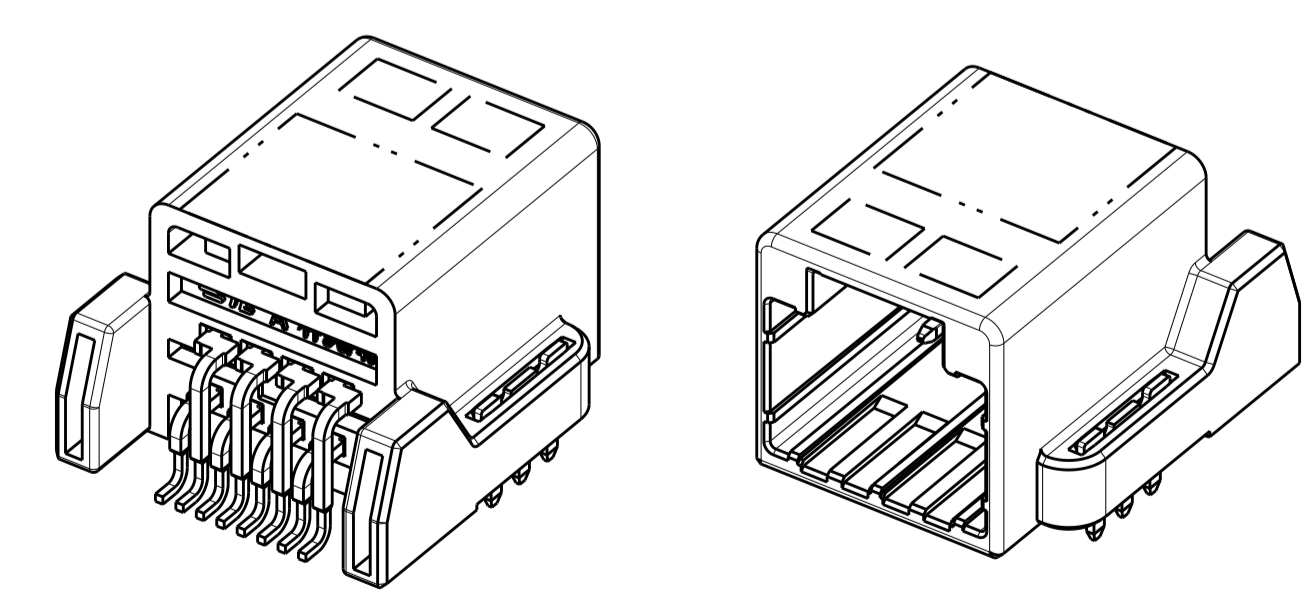
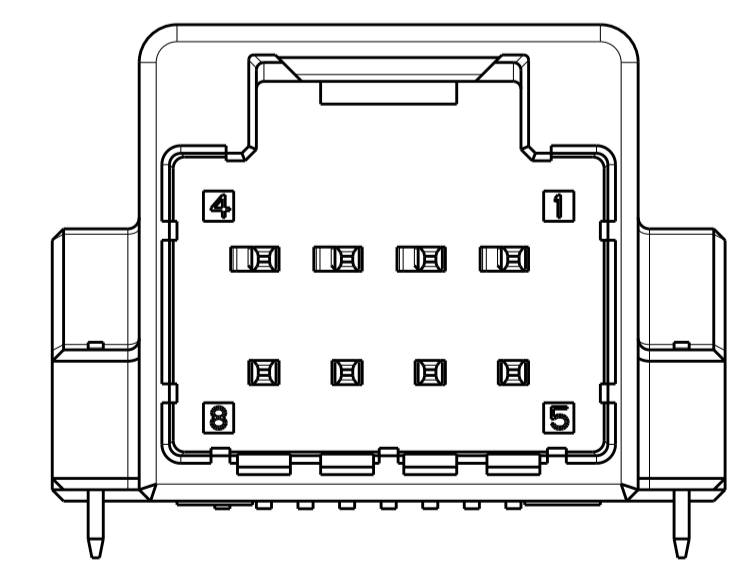


REVISIONS				
P.	LTM	DESCRIPTION	DATE	APPROV
A		NPR ECO-16-009835	29JUN2016	JC JL
A1		REVISED ECR-16-012540	01SEP2016	JC LSF

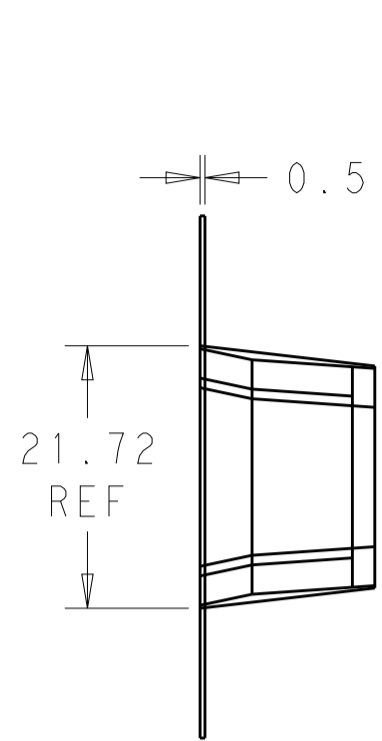


NOTE:  
1. PACKAGING : 15" TAPE & REEL  
THIS DIMENSION IS MEASURED FROM LOWEST PIN TO HIGHEST PIN ALL PINS TO BE BELOW DATUM V

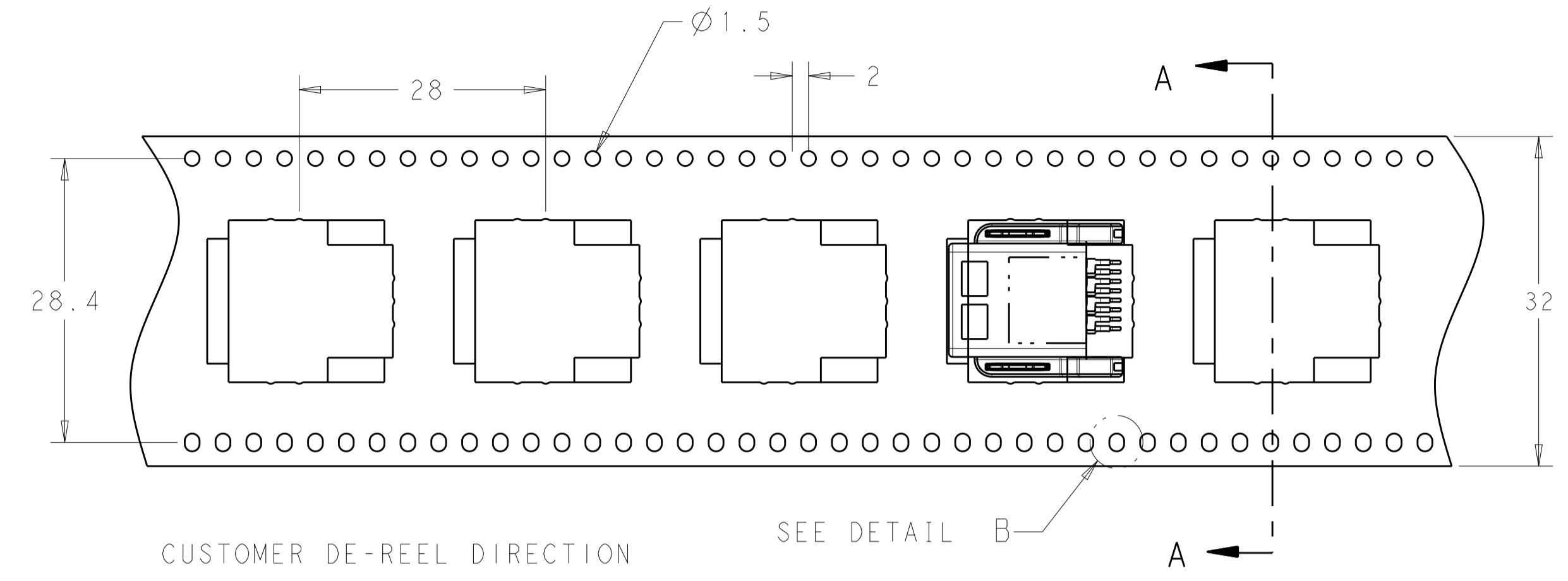


BRASS	POST TIN OVER NI	BRASS	POST TIN OVER NI	PPS	BLACK	2291172-1
MATERIAL	PLATING	MATERIAL	PLATING	MATERIAL	COLOR	PART NUMBER
SOLDER PEG		CONTACT		HOUSING		
THIS DRAWING IS A CONTROLLED DOCUMENT.				DWN: JASON CHOW 29JUN2016		TE Connectivity NAME: 8 POSITION CAP ASSEMBLY
DIMENSIONS: mm		TOLERANCES UNLESS OTHERWISE SPECIFIED:		CNY: JIL LIM 29JUN2016		
0 PLC ±0.3 1 PLC ±0.3 2 PLC ±0.3 3 PLC ±0.3 4 PLC ±0.3 ANGLES ±0.3°		FINISH: SEE TABLE		PRODUCT SPEC: - APPLICATION SPEC: - WEIGHT: 2.8g CUSTOMER DRAWING: -		
MATERIAL: SEE TABLE		FINISH: SEE TABLE		SCALE: 5:1		SHEET 1 OF 2 REV A1

REVISIONS				
P.	LTN	DESCRIPTION	DATE	APP'D
-	-	SEE SHEET 1	-	-

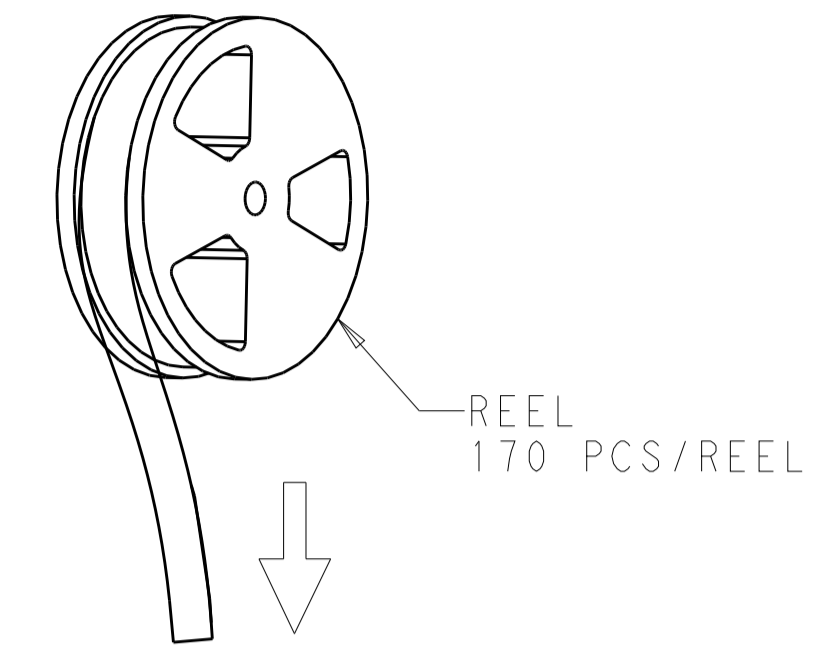
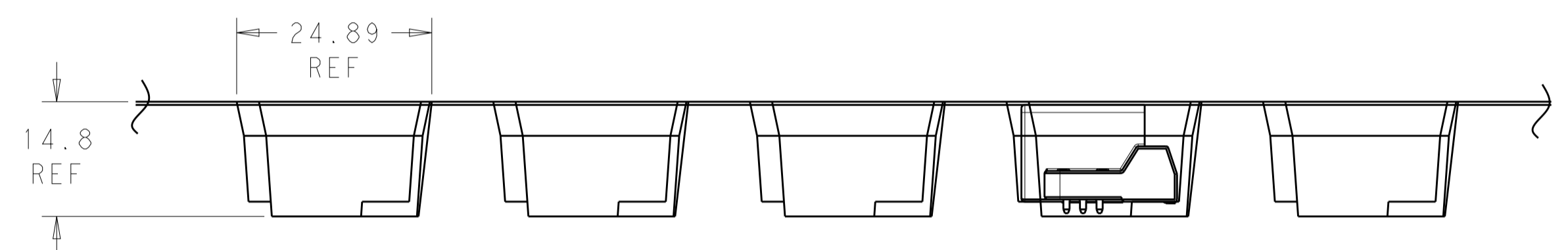


SECTION A-A

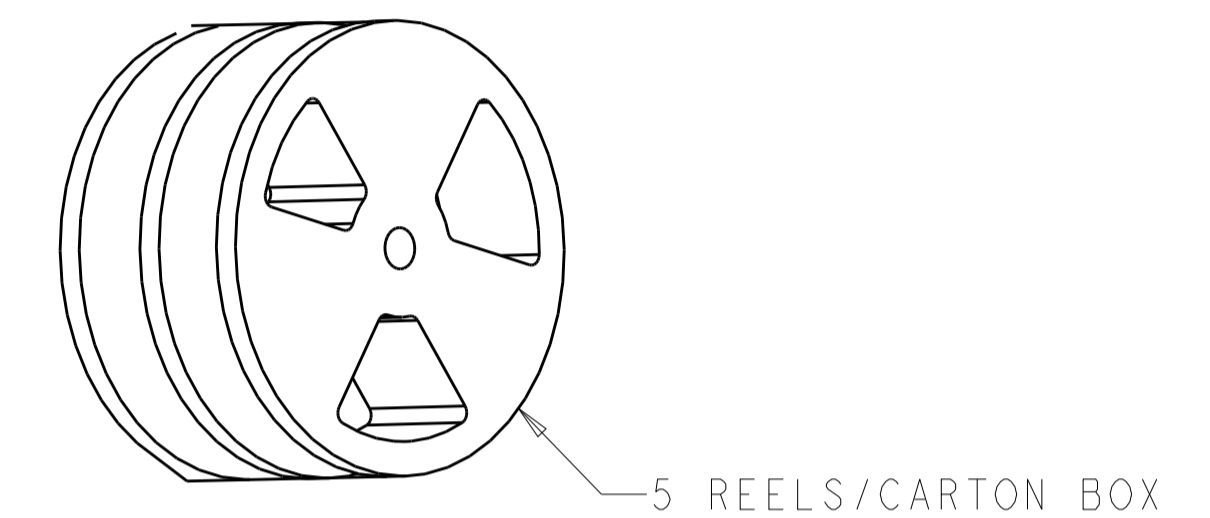


CUSTOMER DE-REEL DIRECTION

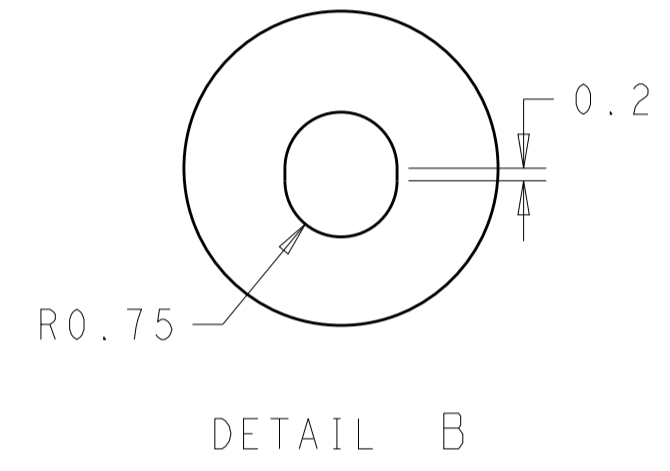
SEE DETAIL B



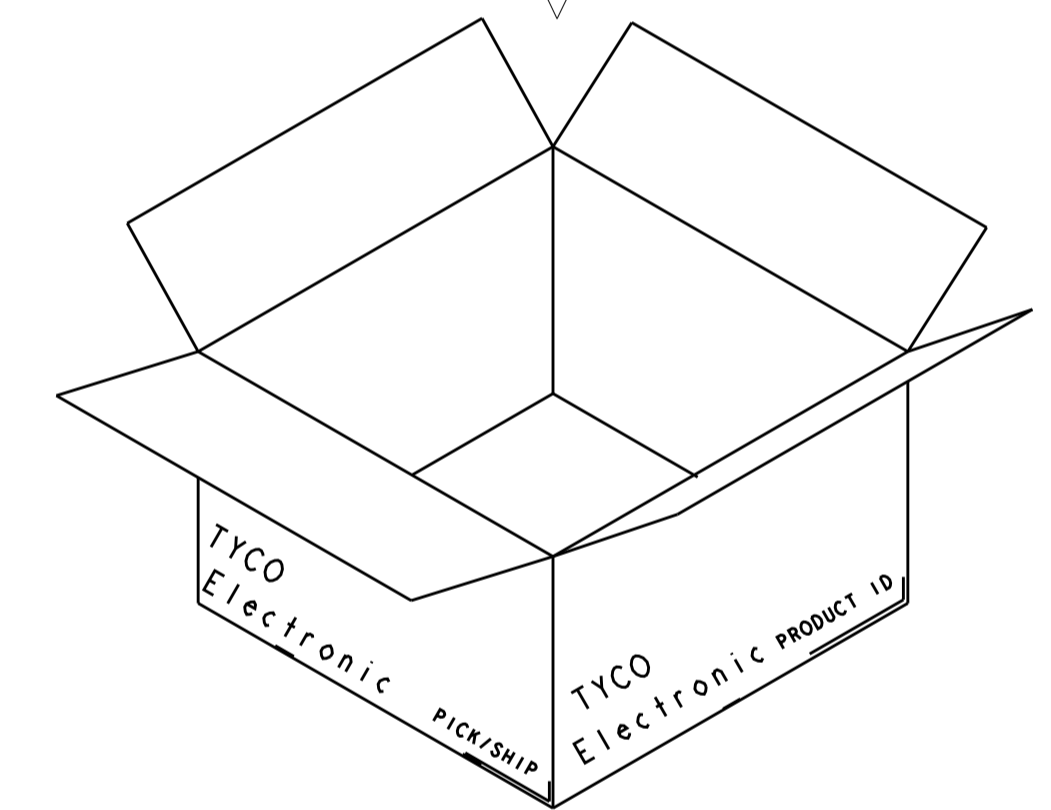
REEL  
170 PCS/REEL



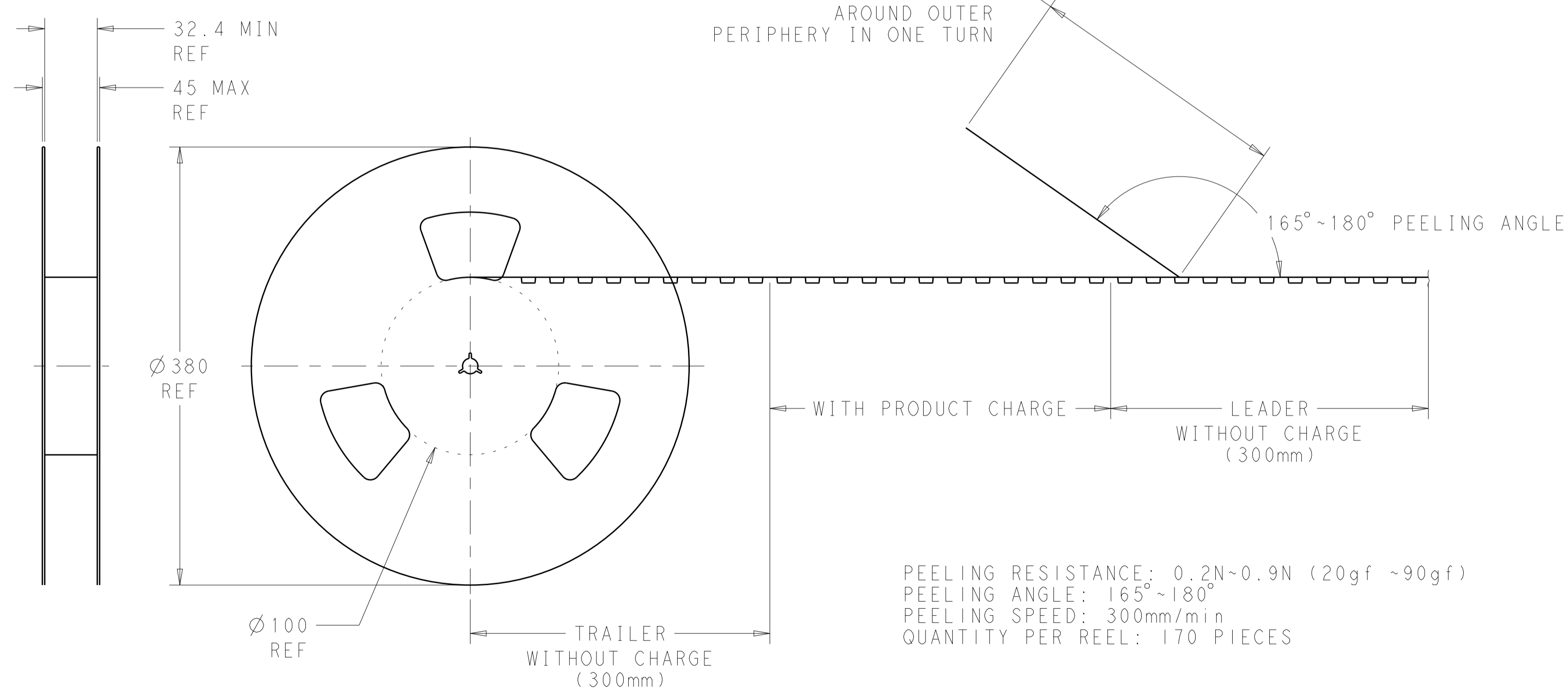
5 REELS/CARTON BOX



DETAIL B



CARTON BOX  
850 PCS/BOX



PEELING RESISTANCE: 0.2N~0.9N (20gf ~90gf)  
PEELING ANGLE: 165°~180°  
PEELING SPEED: 300mm/min  
QUANTITY PER REEL: 170 PIECES

THIS DRAWING IS A CONTROLLED DOCUMENT.		OWN: JASON CHOW 29JUN2016	TE Connectivity
DIMENSIONS: mm		CHK: JI LIM 29JUN2016	
TOLERANCES UNLESS OTHERWISE SPECIFIED:		APP'D: SE LEONG 29JUN2016	NAME: 8 POSITION CAP ASSEMBLY
0 PLC	±0.3	PRODUCT SPEC	SIZE: CAGE CODE DRAWING NO
1 PLC	±0.3	APPLICATION SPEC	RESTRICTED TO
2 PLC	±0.3		A100779C=2291172
3 PLC	±0.3		SCALE NTS SHEET 2 OF 2 REV A1
4 PLC	±0.3		
ANGLES	±0.3		
MATERIAL	FINISH	WEIGHT	
CUSTOMER DRAWING		SCALE	