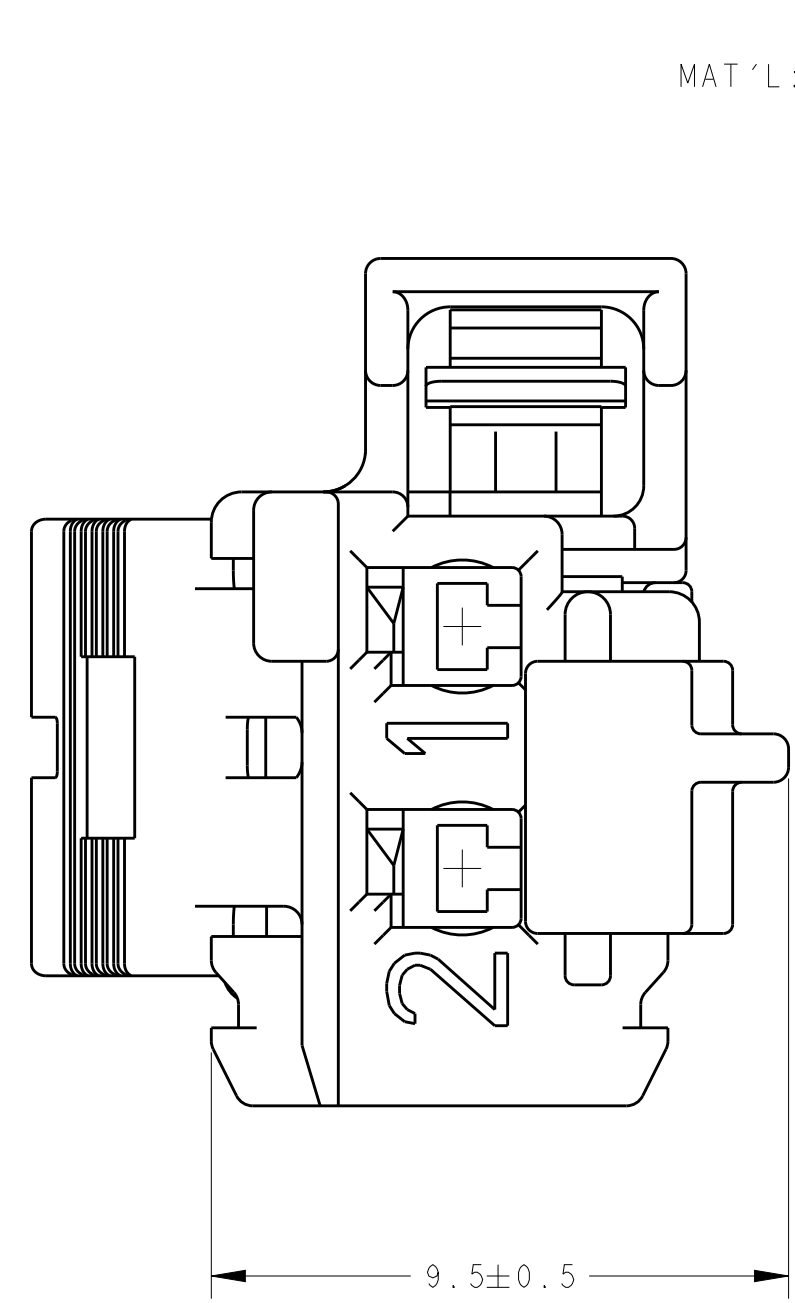
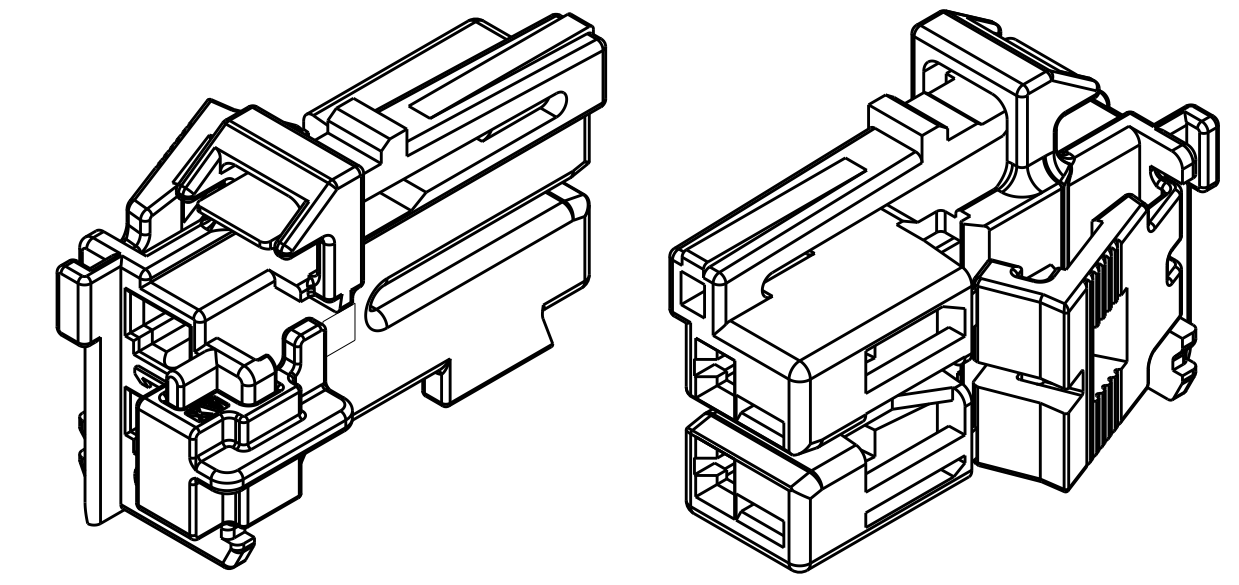
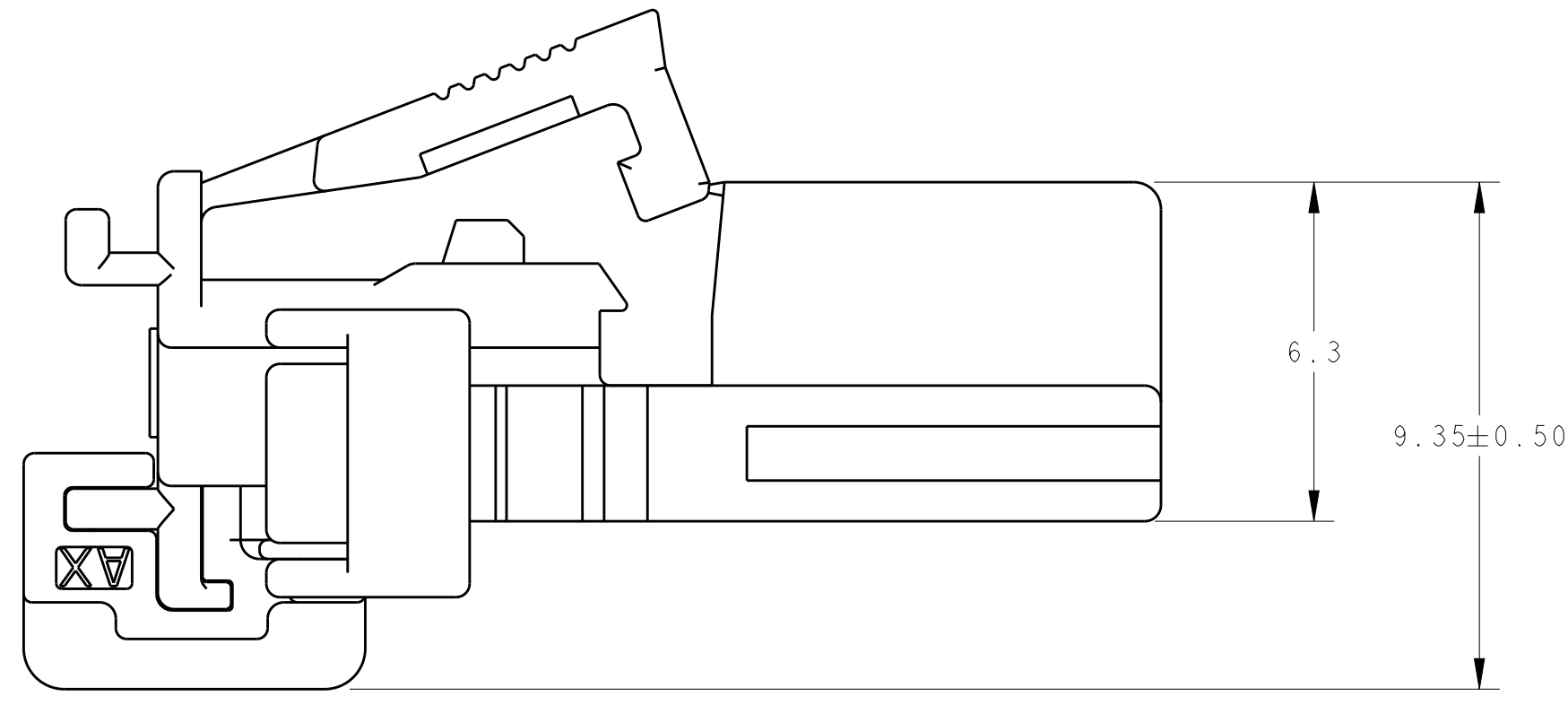
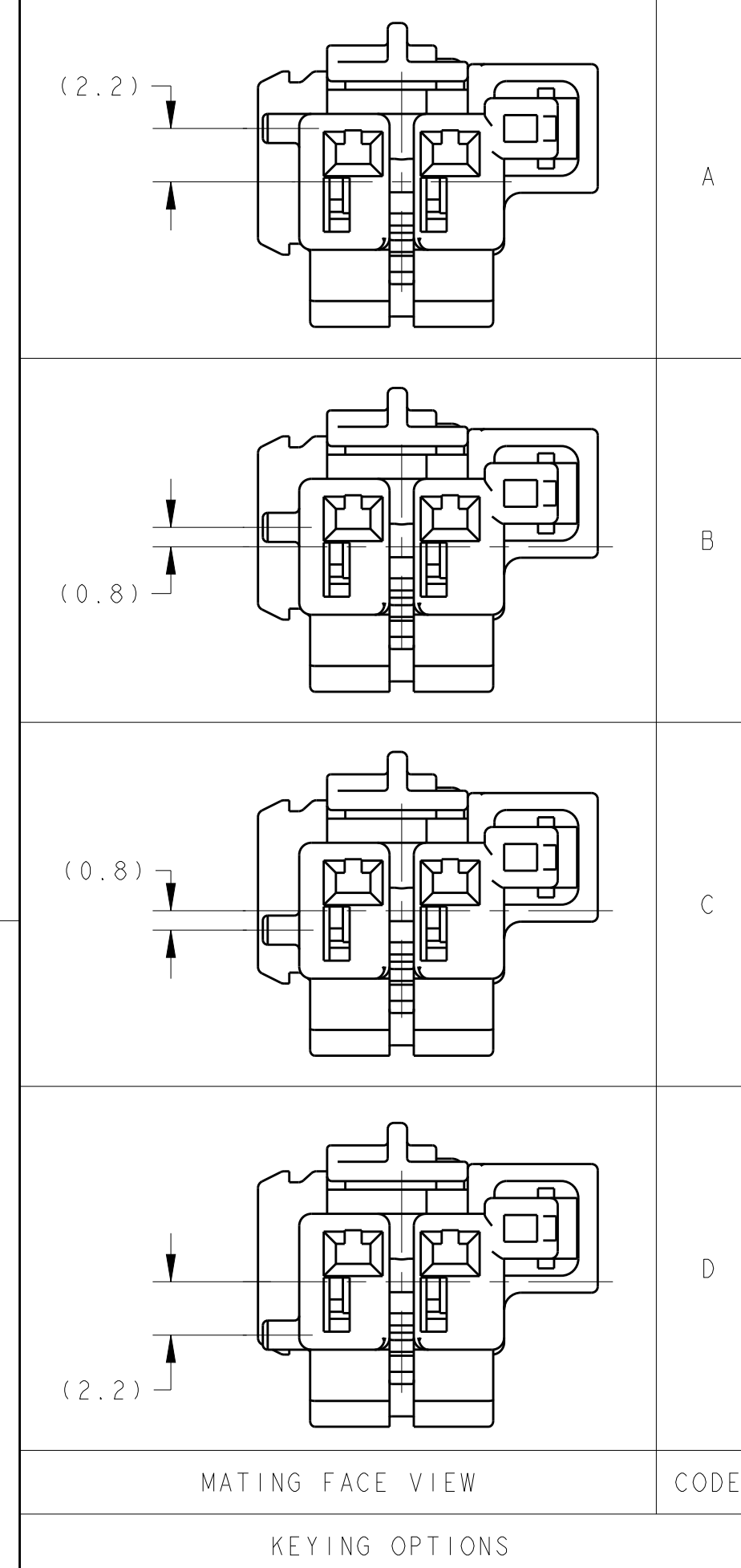
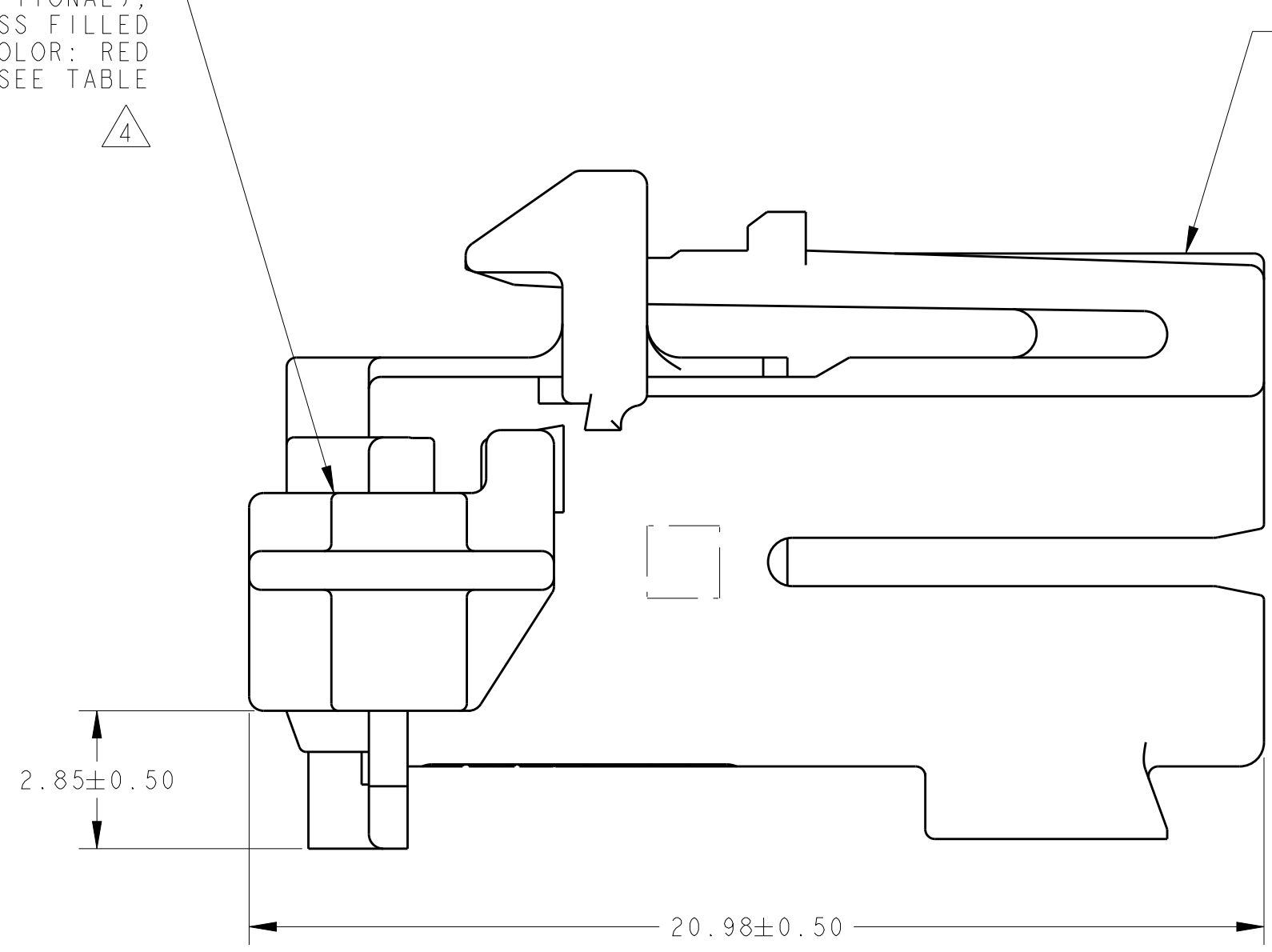


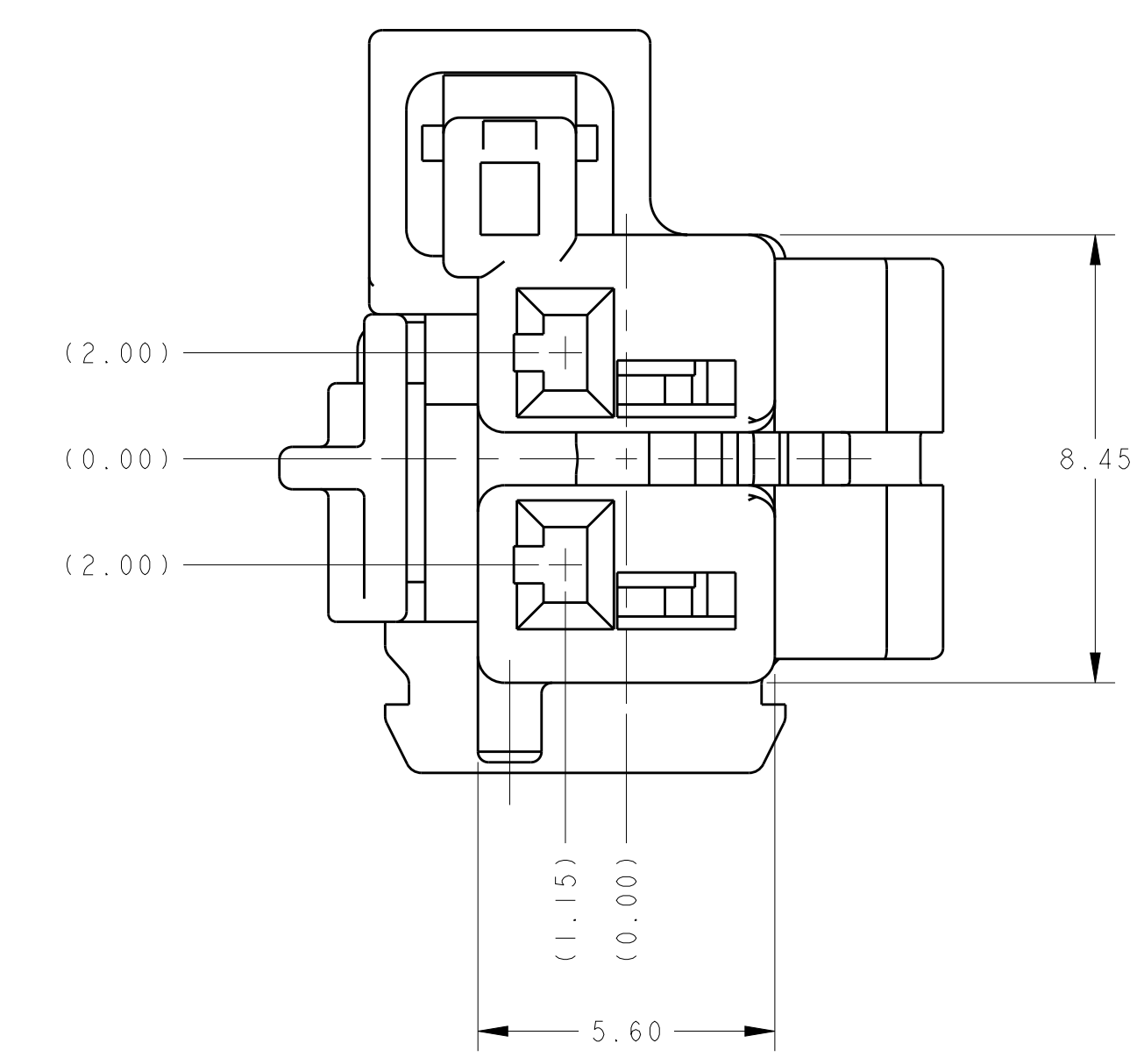
LOC	DIST	REVISIONS					
		P	LTN	DESCRIPTION	DATE	DWN	APVD
1	N	I		PROPOSED	29DEC2014	JRS	PDR
		A		UPDATED PRELIMINARY TO RELEASED STATUS	02DEC2015	PR	PR



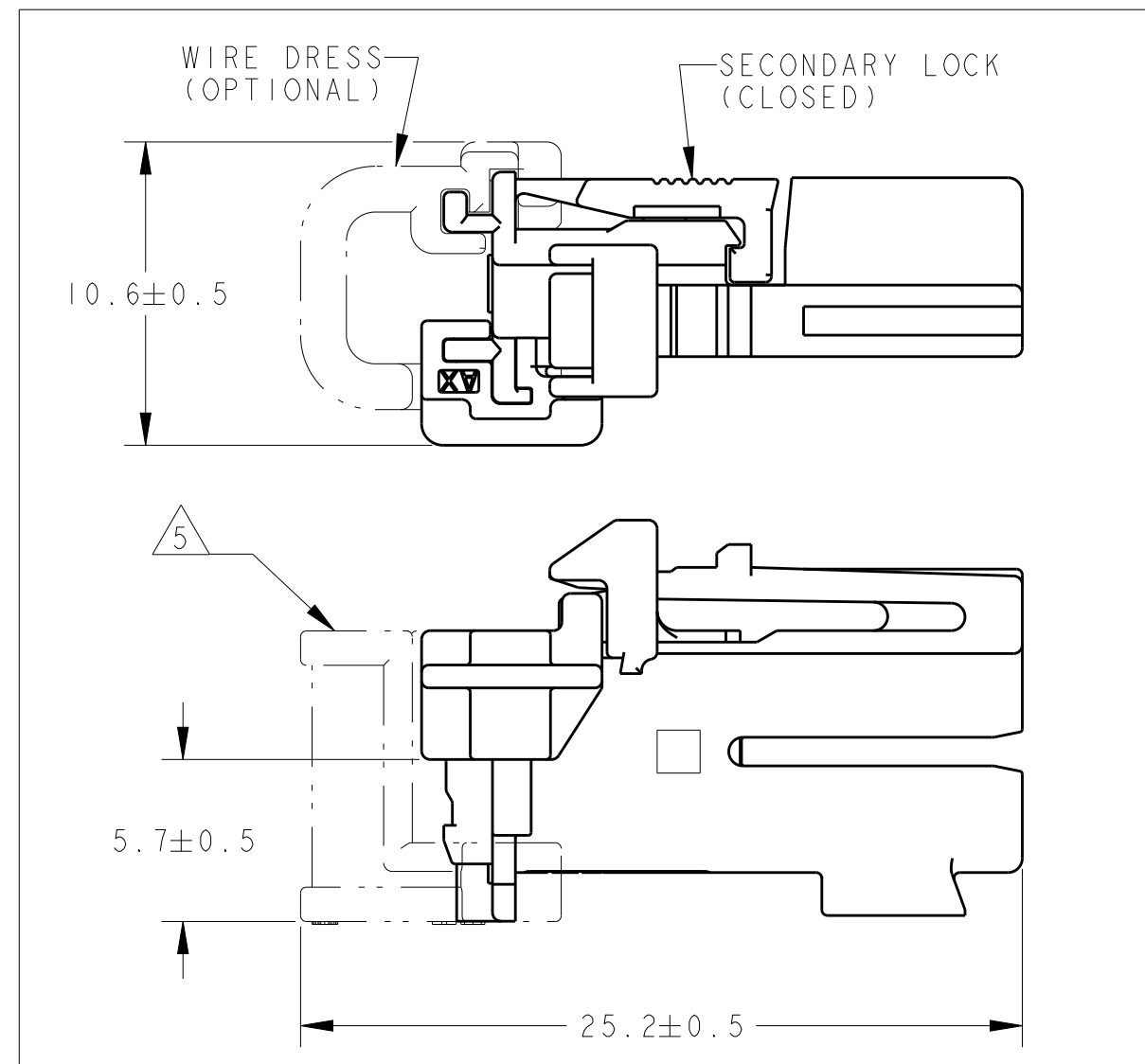
CPA (OPTIONAL),
 MAT'L: PA66, 10% GLASS FILLED
 COLOR: RED
 QTY: SEE TABLE



PLUG HOUSING,
 MAT'L: PA66, 10% GLASS FILLED
 COLOR: SEE TABLE
 QTY: 1



- 2289523-1 SHOWN IN GENERAL VIEWS.
 - PLUG ASSEMBLY WILL ACCEPT THE FOLLOWING TERMINAL PART NUMBERS: 1670144-1 (TIN PLATED) 0.50-0.75mm²
 - ASSEMBLY IS SHIPPED WITH SECONDARY LOCK IN THE PRE-LOCK POSITION AS SHOWN, SECONDARY LOCK MAY CLOSE INADVERTENTLY DURING SHIPPING IF THIS OCCURS, RELOCATE SECONDARY LOCK TO THE OPEN POSITION PRIOR TO INSERTION OF TERMINALS.
- 4 CPA SHOWN IN PRE-STAGED, AS SHIPPED, POSITION.
- 5 WIRE DRESS COVER IS NOT PART OF ASSEMBLY. IT IS SOLD AS A SEPARATE SALEABLE ITEM AS PART NUMBER 2203698-1.



CPA AND SECONDARY LOCK IN CLOSED POSITION WITH OPTIONAL WIRE DRESS (P/N 2203698-1)
 SCALE 4:1

HOUSING COLOR	CPA QTY	KEYING OPTION	PART NUMBER
GRAY	NA	D	2289523-8
GREEN	NA	C	2289523-7
BLUE	NA	B	2289523-6
NATURAL (BROWN)	NA	A	2289523-5
GRAY	I	D	2289523-4
GREEN	I	C	2289523-3
BLUE	I	B	2289523-2
NATURAL (BROWN)	I	A	2289523-1

THIS DRAWING IS A CONTROLLED DOCUMENT.

DIMENSIONS: mm

TOLERANCES UNLESS OTHERWISE SPECIFIED:

0 PLC	±
1 PLC	±0.3
2 PLC	±0.15
3 PLC	±
4 PLC	±
ANGLES	±

MATERIAL: SEE CALLOUT

FINISH: -

WEIGHT: -

Customer Drawing

DWN: J. R. SHUEY 29DEC2014
 CHK: P. D. ROMAN 29DEC2014
 APVD: P. D. ROMAN 29DEC2014

NAME: PLUG ASSEMBLY 2 POSN, 1.2mm MCON

SIZE: A1

SCALE: 8:1

SHEET 1 OF 1

REV A

TE Connectivity