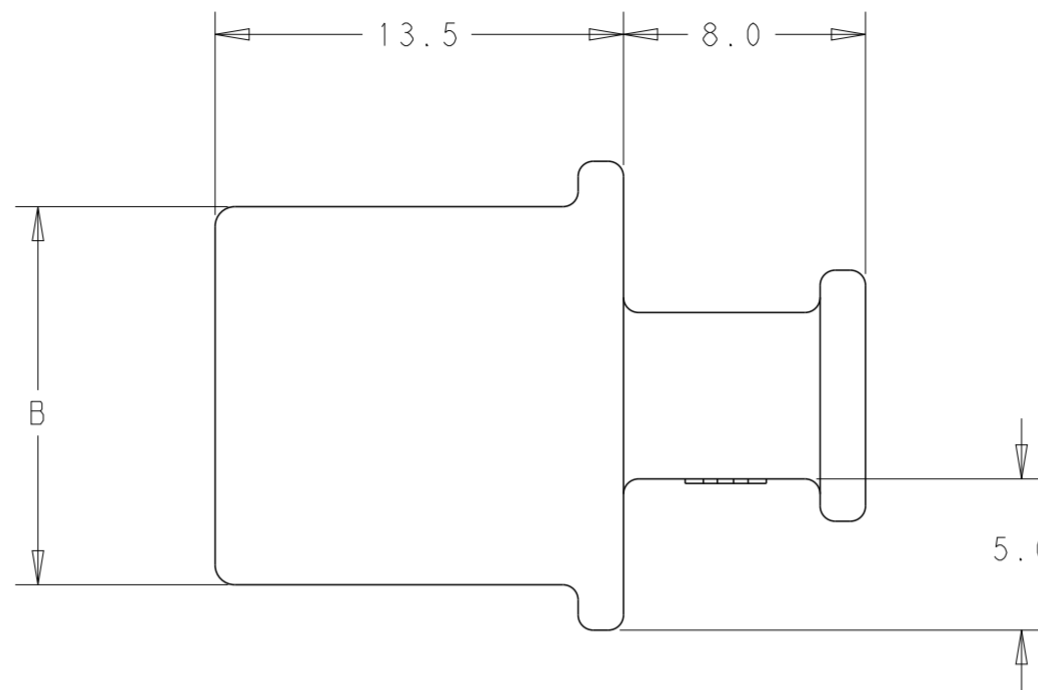
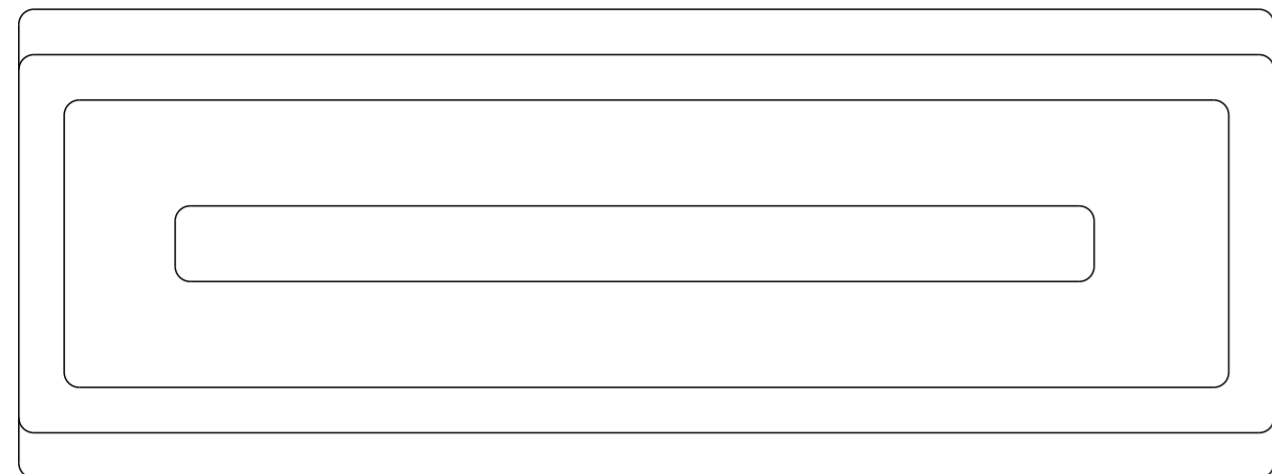
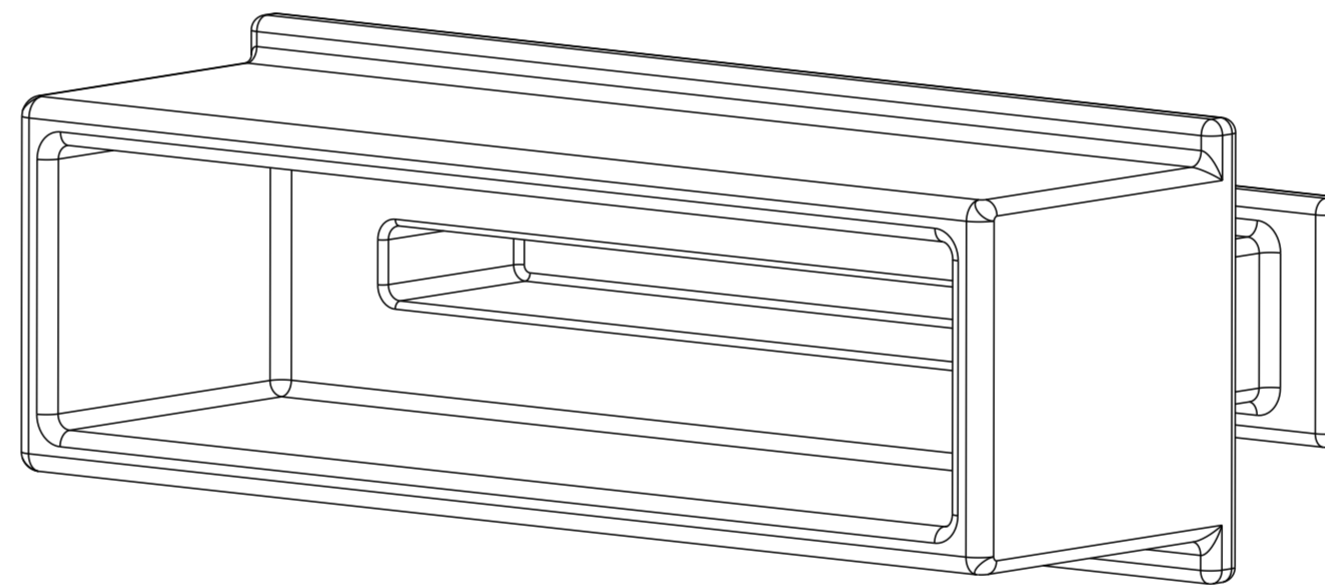
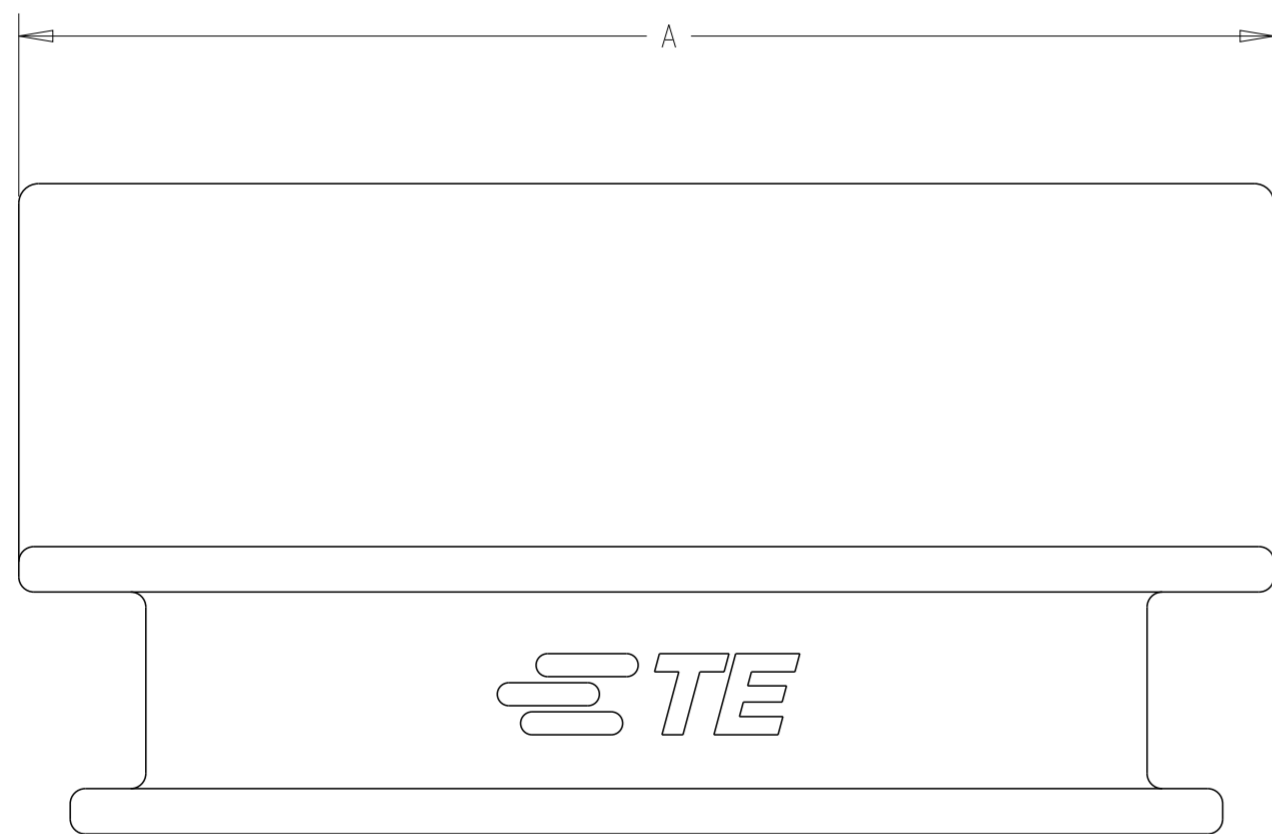


THIS DRAWING IS UNPUBLISHED. RELEASED FOR PUBLICATION 20  
 © COPYRIGHT 20 BY - ALL RIGHTS RESERVED.

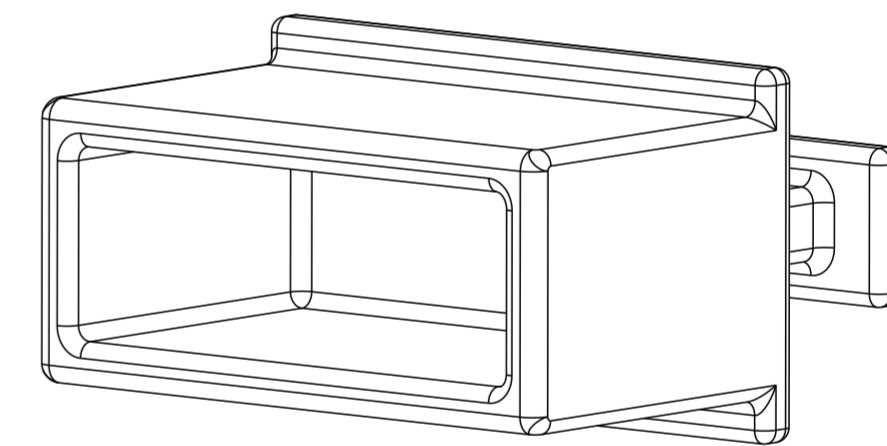
REVISIONS				
P	LTR	DESCRIPTION	DATE	APVD
A		INITIAL RELEASE	02MAY2018	AD SH
A1		REVISED PER ECN-22-166973	01AUG2022	AK SZ



- 1 MATERIAL: ZINC ALLOY;
- 2 PLATING: 1.27um MIN. NICKEL PLATING OVER COPPER UNDER PLATED.



2288221-1  
(FOR CFP2)



2288221-3  
(FOR CFP4)

OBSOLETE	9.5±0.10	21.5±0.10	2288221-3
	12.5±0.10	41.5±0.10	2288221-1
	B	A	PART NUMBER

THIS DRAWING IS A CONTROLLED DOCUMENT.		DWN ANDY.XIE 24NOV2015	TE Connectivity	
DIMENSIONS: mm		CHK - 24NOV2015		
TOLERANCES UNLESS OTHERWISE SPECIFIED:		APVD SEAN.HAN 24NOV2015	NAME EMI/DUST COVER, CFP2 AND CFP4	
0 PLC ± 1 PLC ±0.25 2 PLC ±0.13 3 PLC ±0.10 4 PLC ± ANGLES ±1 FINISH		PRODUCT SPEC -	SIZE A2	RESTRICTED TO -
MATERIAL -		APPLICATION SPEC -	CAGE CODE -	DRAWING NO G-2288221
		WEIGHT -	SCALE 2:1	SHEET 1 OF 1
		CUSTOMER DRAWING	REV A1	