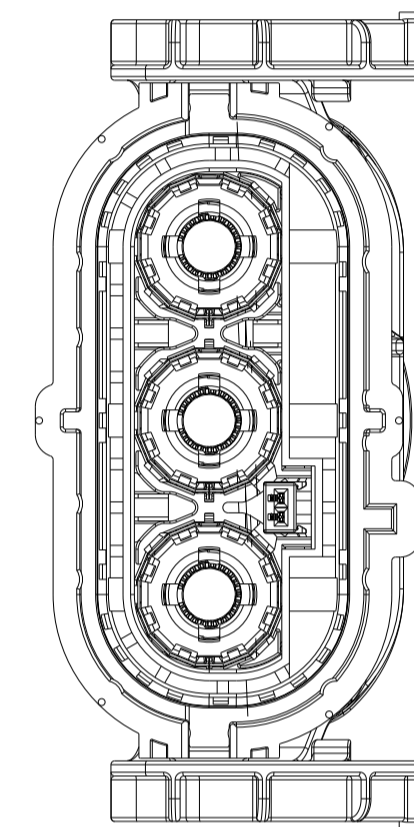
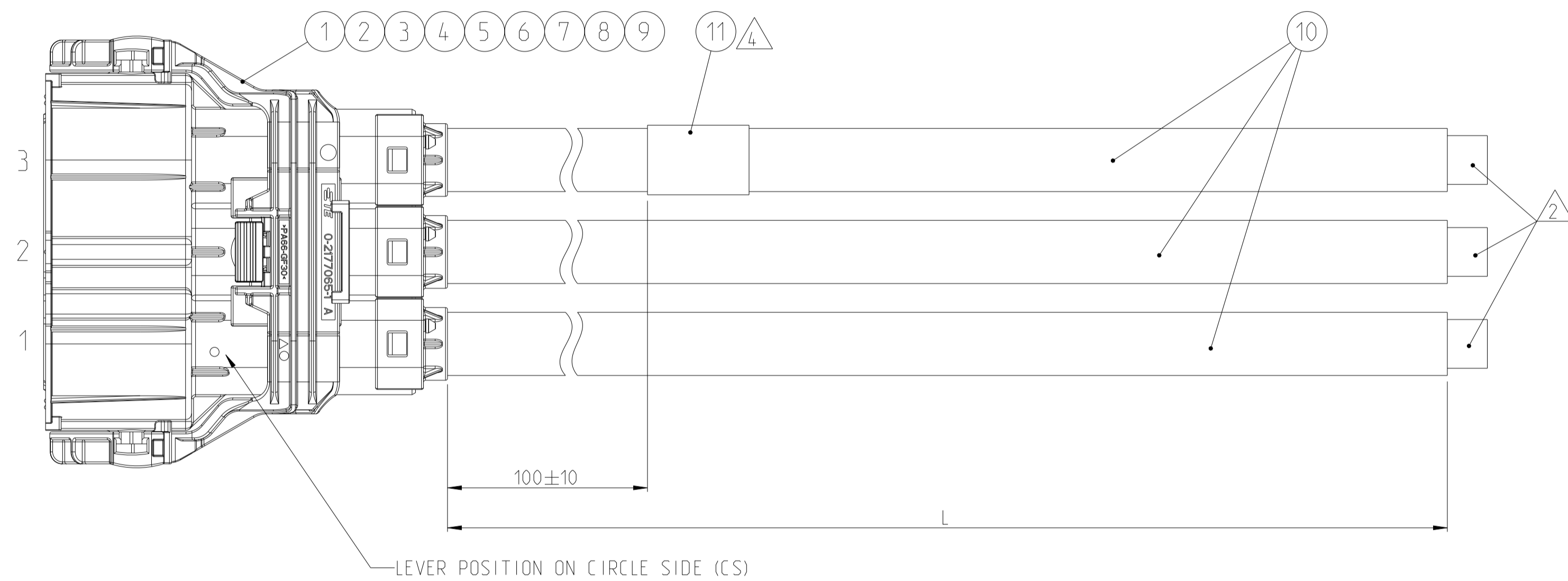
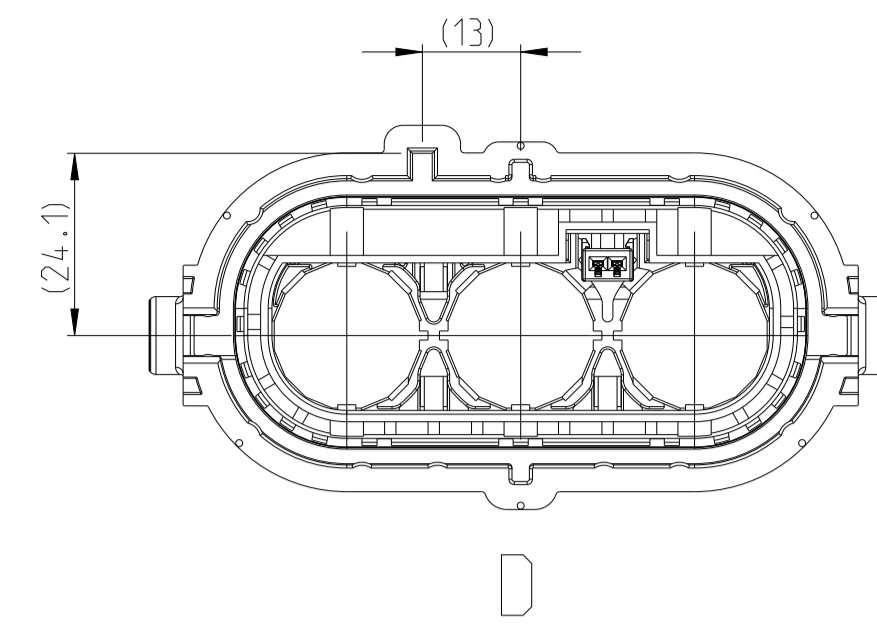
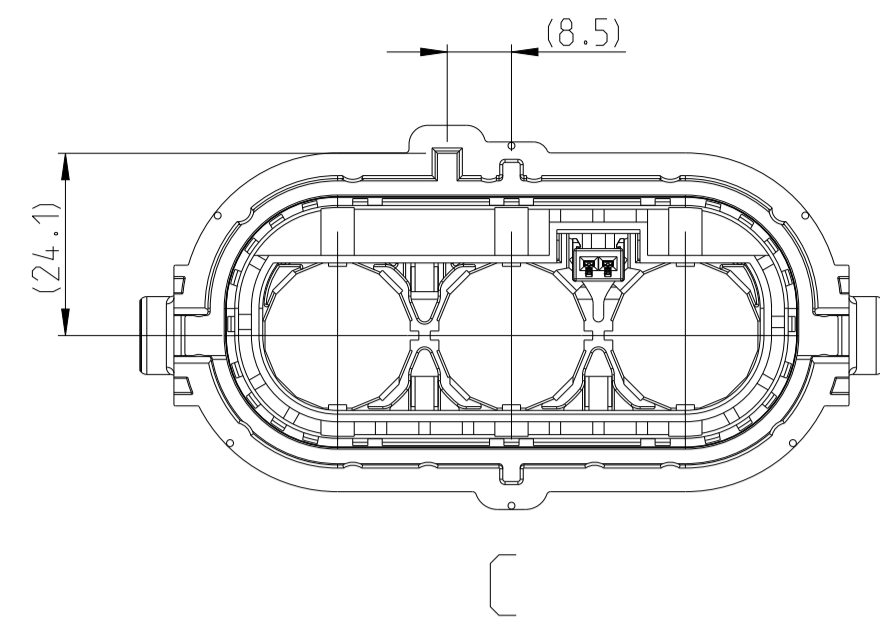
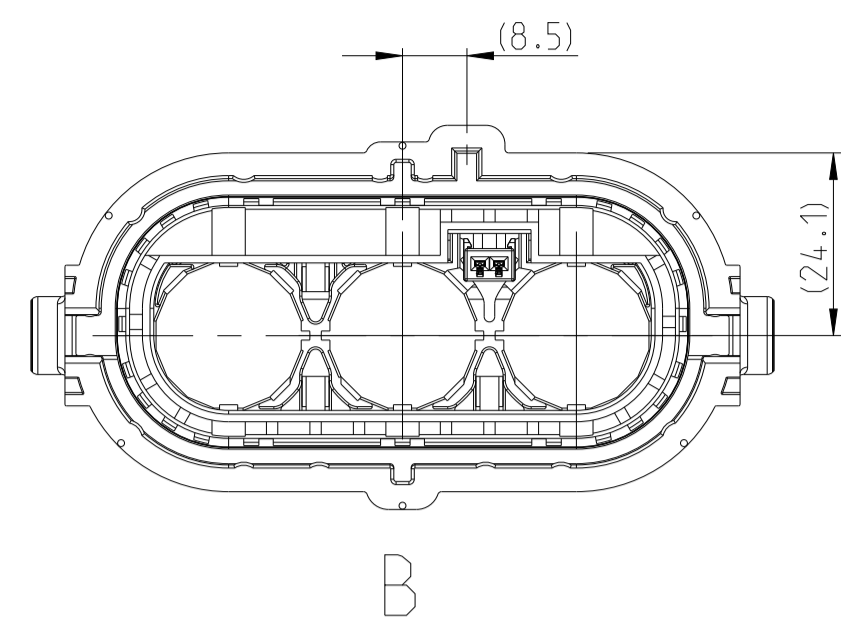
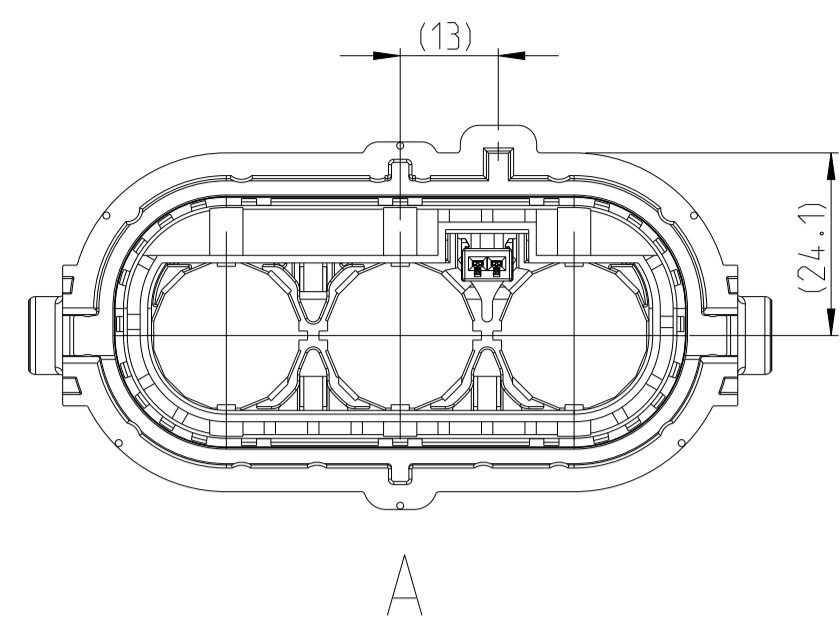


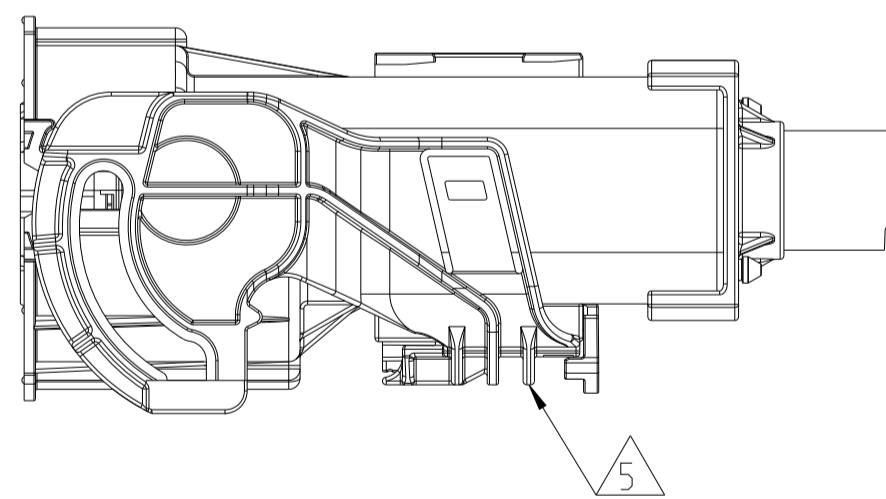
CODINGS - 1:1

THE DRAWING SHOWS THE 2-DIMENSIONAL REFERENCE COMPONENT CONDITION OF THE ASSEMBLY TO IDENTIFY AND SPECIFY THE NECESSARY DIMENSIONS ONLY. THE DELIVERED PARTS MAY DEVIATE FROM THE DRAWING REGARDING THE ORIENTATION AND POSITION OF EACH COMPONENT (e.g. SLACK CABLE), SO FAR THE FUNCTIONALITY IS NOT CONCERNED.

REVISIONS				
P	LTN	DESCRIPTION	DATE	APVD
F		SHIELDING SLEEVE CHANGED	26 JUN 2018	JM JF
F1		OBSOLETE PN	31 AUG 2022	OS JK



	TE PART NO.	REV.	LENGTH L [mm]	TOL. [mm]	CODING	LEVER POSITION	
	OBSOLETE	1-2286935-0	F	500	+30		
	-	1-2286935-1	F	1000	+30		
	OBSOLETE	1-2286935-2	F	2000	+35	A	CS
	-	1-2286935-3	F	3000	+40		
	OBSOLETE	1-2286935-4	F	4000	+50		
	-	1-2286935-5	F	5000	+60		
	OBSOLETE	2-2286935-0	F	500	+30		
	-	2-2286935-1	F	1000	+30	B	CS
	OBSOLETE	2-2286935-2	F	2000	+35		
	-	2-2286935-3	F	3000	+40		
	OBSOLETE	2-2286935-4	F	4000	+50		
	-	2-2286935-5	F	5000	+60		
	OBSOLETE	3-2286935-0	D	500	+30		
	OBSOLETE	3-2286935-1	D	1000	+30	C	CS
	OBSOLETE	3-2286935-2	D	2000	+35		
	OBSOLETE	3-2286935-3	D	3000	+40		
	OBSOLETE	3-2286935-4	D	4000	+50		
	OBSOLETE	3-2286935-5	D	5000	+60		
	OBSOLETE	4-2286935-0	D	500	+30		
	OBSOLETE	4-2286935-1	D	1000	+30	D	CS
	OBSOLETE	4-2286935-2	D	2000	+35		
	OBSOLETE	4-2286935-3	D	3000	+40		
	-	4-2286935-4	D	4000	+50		
	OBSOLETE	4-2286935-5	D	5000	+60		



4 LABEL LEGEND:

TE PN: X-2286935-Y Rev. **CURRENT REV.**
 DD/MM/YY **DATE CODE**
 2.7 kV DC TEST PASSED

NOTES

- 1 PACKAGING:
HOUSING WRAPPED IN FOAM AND FIXED WITH RUBBER BAND.
CABLE ASSEMBLY PROTECTED BY PAPER CUSHIONS INSIDE OF STANDARD BOX ACCORDING TE SPEC. 107-18087, 107-18064. DAMAGED TO BE AVOIDED.
- ⚠ ELECTRICAL TEST ACCORDING TE SPECIFICATION 108-18857. USE CURRENT REVISION ALWAYS.
MIN. 10 mm STRIPPING OF OUTER JACKET AND BRAID FOR ELECTRICAL TEST PURPOSE.
- ⚠ PRODUCT SPECIFICATION: 108-94297, 108-94451
APPLICATION SPECIFICATION: 114-94130, 114-94325
- ⚠ MANUFACTURING CODE:
TE PART NO., CURRENT REV. LEVEL AND DATE CODE (DD.MM.YY), TO BE PRINTED ON LABEL (ITEM 11).
LABEL TO BE APPLIED TO THE CABLE AFTER SUCCESSFUL ELECTRICAL TEST.
- ⚠ LEVER POSITION: CLOSED ON DELIVERY

QTY	QTY	QTY	QTY	DESCRIPTION	ITEM NO.
4-x	3-x	2-x	1-x		
1	1	1	1	LABEL, HELL, TYP 323, 25.4 x 95.25	11
see table	see table	see table	see table	1 POS. POWER CABLE, 25 SQMM	10
3	3	3	3	SHIELDING SLEEVE, 180 DEG	9
3	3	3	3	INSULATION INSERT, 180 DEG	8
3	3	3	3	8 MM HV. CONTACT, ASSY	7
3	3	3	3	PROTEC. COVER 8 MM HV, 90 DEG, 25 SQMM	6
3	3	3	3	SINGLE WIRE SEAL, 8 MM HV, 90 DEG, 25 SQMM	5
3	3	3	3	SHIELDING CRIMP FERRULE, 180 DEG OUTER	4
3	3	3	3	PROTECTION CAP, 180 DEG	3
3	3	3	3	SHIELD CRIMP FERRULE, 180 DEG INNER	2
1	-	-	-	3 POS, 8 MM HV, REC HSG, 180 DEG, ASSY, SEALED, COD D (CS)	1
-	1	-	-	3 POS, 8 MM HV, REC HSG, 180 DEG, ASSY, SEALED, COD C (CS)	
-	-	1	-	3 POS, 8 MM HV, REC HSG, 180 DEG, ASSY, SEALED, COD B (CS)	
-	-	-	1	3 POS, 8 MM HV, REC HSG, 180 DEG, ASSY, SEALED, COD A (CS)	

TOLERANCING EN ISO 8015
TOLERIERUNG EN ISO 8015

DIESE ZEICHNUNG IST EIN KONTROLLIERTES DOKUMENT.
BEMASSUNGEN UND TOLERANZEN GEMAESS GPS (ISO STANDARDS).

THIS DRAWING IS A CONTROLLED DOCUMENT.
DIMENSIONING AND TOLERANCING PER GPS (ISO STANDARDS)

APVD: M. Kluszkova 07APR2015
J. Janecka 07APR2015

TE Connectivity

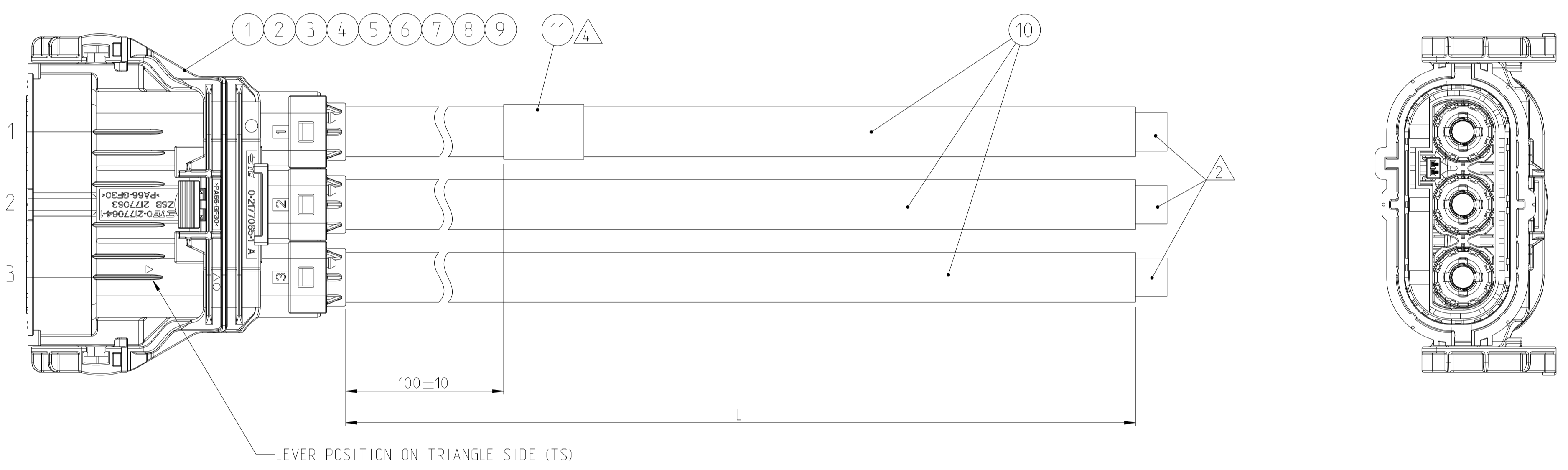
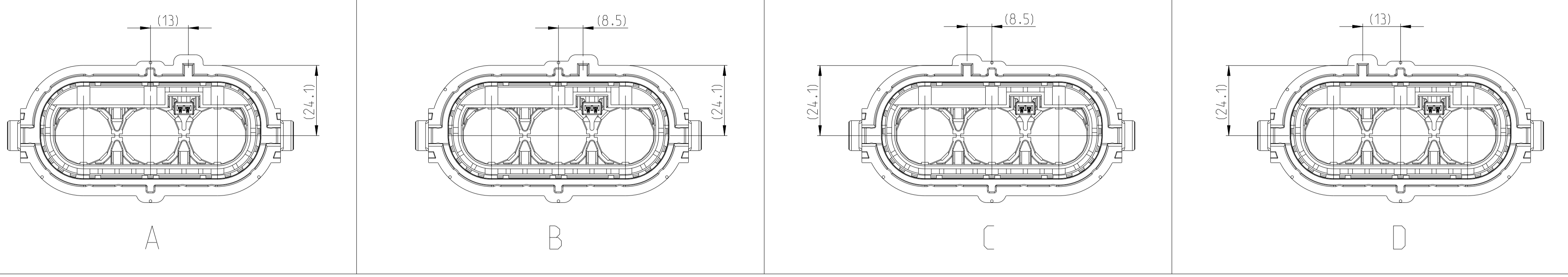
NAME: 3 POS. HVP800, 180, 25 SQMM CABLE ASSY

SIZE: A1 CAGE CODE: - DRAWING NO: - RESTRICTED TO: -
 SCALE: 1:1 SHEET 1 OF 2 REV: F1

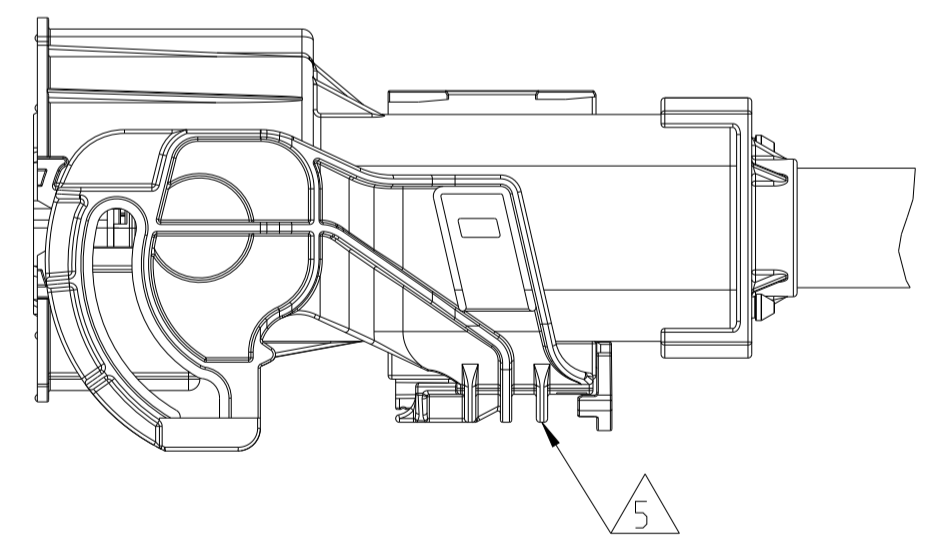
CODINGS - 1:1

THE DRAWING SHOWS THE 2-DIMENSIONAL REFERENCE COMPONENT CONDITION OF THE ASSEMBLY TO IDENTIFY AND SPECIFY THE NECESSARY DIMENSIONS ONLY. THE DELIVERED PARTS MAY DEVIATE FROM THE DRAWING REGARDING THE ORIENTATION AND POSITION OF EACH COMPONENT (e.g. SLACK CABLE), SO FAR THE FUNCTIONALITY IS NOT CONCERNED.

REVISIONS				
P	LTN	DESCRIPTION	DATE	APVD
-		SEE SHEET 1	-	-



	TE PART NO.	REV.	LENGTH L [mm]	TOL. [mm]	CODING	LEVER POSITION
-	5-2286935-0	F	500	+30		
OBSOLETE	5-2286935-1	F	1000	+30		
OBSOLETE	5-2286935-2	F	2000	+35	A	TS
OBSOLETE	5-2286935-3	F	3000	+40		
OBSOLETE	5-2286935-4	F	4000	+50		
OBSOLETE	5-2286935-5	F	5000	+60		
OBSOLETE	6-2286935-0	F	500	+30		
OBSOLETE	6-2286935-1	F	1000	+30		
OBSOLETE	6-2286935-2	F	2000	+35	B	TS
OBSOLETE	6-2286935-3	F	3000	+40		
OBSOLETE	6-2286935-4	F	4000	+50		
OBSOLETE	6-2286935-5	F	5000	+60		
OBSOLETE	7-2286935-0	D	500	+30		
OBSOLETE	7-2286935-1	D	1000	+30		
OBSOLETE	7-2286935-2	D	2000	+35	C	TS
OBSOLETE	7-2286935-3	D	3000	+40		
OBSOLETE	7-2286935-4	D	4000	+50		
OBSOLETE	7-2286935-5	D	5000	+60		
OBSOLETE	8-2286935-0	D	500	+30		
OBSOLETE	8-2286935-1	D	1000	+30		
OBSOLETE	8-2286935-2	D	2000	+35	D	TS
OBSOLETE	8-2286935-3	D	3000	+40		
OBSOLETE	8-2286935-4	D	4000	+50		
OBSOLETE	8-2286935-5	D	5000	+60		



△ LABEL LEGEND:

STE — CURRENT REV.

TE PN: X-2286935-Y Rev. — DATE CODE

DD/MM/YY — DATE CODE

2.7 kV DC TEST PASSED

NOTES

- 1 PACKAGING:
HOUSING WRAPPED IN FOAM AND FIXED WITH RUBBER BAND.
CABLE ASSEMBLY PROTECTED BY PAPER CUSHIONS INSIDE OF STANDARD BOX ACCORDING TE SPEC. 107-18087, 107-18064. DAMAGED TO BE AVOIDED.
- △ ELECTRICAL TEST ACCORDING TE SPECIFICATION 108-18857. USE CURRENT REVISION ALWAYS.
MIN. 10 mm STRIPPING OF OUTER JACKET AND BRAID FOR ELECTRICAL TEST PURPOSE.
- △ PRODUCT SPECIFICATION: 108-94297, 108-94451
APPLICATION SPECIFICATION: 114-94130, 114-94325
- △ MANUFACTURING CODE:
TE PART NO., CURRENT REV. LEVEL AND DATE CODE (DD.MM.YY). TO BE PRINTED ON LABEL (ITEM 11).
LABEL TO BE APPLIED TO THE CABLE AFTER SUCCESSFUL ELECTRICAL TEST.
- △ LEVER POSITION: CLOSED ON DELIVERY

QTY	QTY	QTY	QTY	DESCRIPTION	ITEM NO.
8-x	7-x	6-x	5-x		
1	1	1	1	LABEL, HELL, TYP 323, 25.4 x 95.25	11
see table	see table	see table	see table	1 POS. POWER CABLE, 25 SQMM	10
3	3	3	3	SHIELDING SLEEVE, 180 DEG	9
3	3	3	3	INSULATION INSERT, 180 DEG	8
3	3	3	3	8 MM HV. CONTACT, ASSY	7
3	3	3	3	PROTEC. COVER 8 MM HV, 90 DEG, 25 SQMM	6
3	3	3	3	SINGLE WIRE SEAL, 8 MM HV, 90 DEG, 25 SQMM	5
3	3	3	3	SHIELDING CRIMP FERRULE, 180 DEG OUTER	4
3	3	3	3	PROTECTION CAP, 180 DEG	3
3	3	3	3	SHIELD CRIMP FERRULE, 180 DEG INNER	2
1	-	-	-	3 POS, 8 MM HV, REC HSG, 180 DEG, ASSY, SEALED, COD D (TS)	
-	1	-	-	3 POS, 8 MM HV, REC HSG, 180 DEG, ASSY, SEALED, COD C (TS)	
-	-	1	-	3 POS, 8 MM HV, REC HSG, 180 DEG, ASSY, SEALED, COD B (TS)	
-	-	-	1	3 POS, 8 MM HV, REC HSG, 180 DEG, ASSY, SEALED, COD A (TS)	

TOLERANCING EN ISO 8015
TOLERIERUNG EN ISO 8015

DIESE ZEICHNUNG IST EIN KONTROLLIERTES DOKUMENT.
BEMASSUNGEN UND TOLERANZEN GEMAESS GPS (ISO STANDARDS).

THIS DRAWING IS A CONTROLLED DOCUMENT.
DIMENSIONING AND TOLERANCING PER GPS (ISO STANDARDS)

APVD: M. Kluszkova 07APR2015
CHK: J. Jancek 07APR2015

APVD: B. Hort 07APR2015

PRODUCT SPEC: 3
APPLICATION SPEC: 3

NAME: 3 POS. HVP800, 180, 25 SQMM CABLE ASSY

SIZE: A1 CAGE CODE: - DRAWING NO: - RESTRICTED TO: -

SCALE: 1:1 SHEET 2 OF 2 REV: F1

CUSTOMER DRAWING