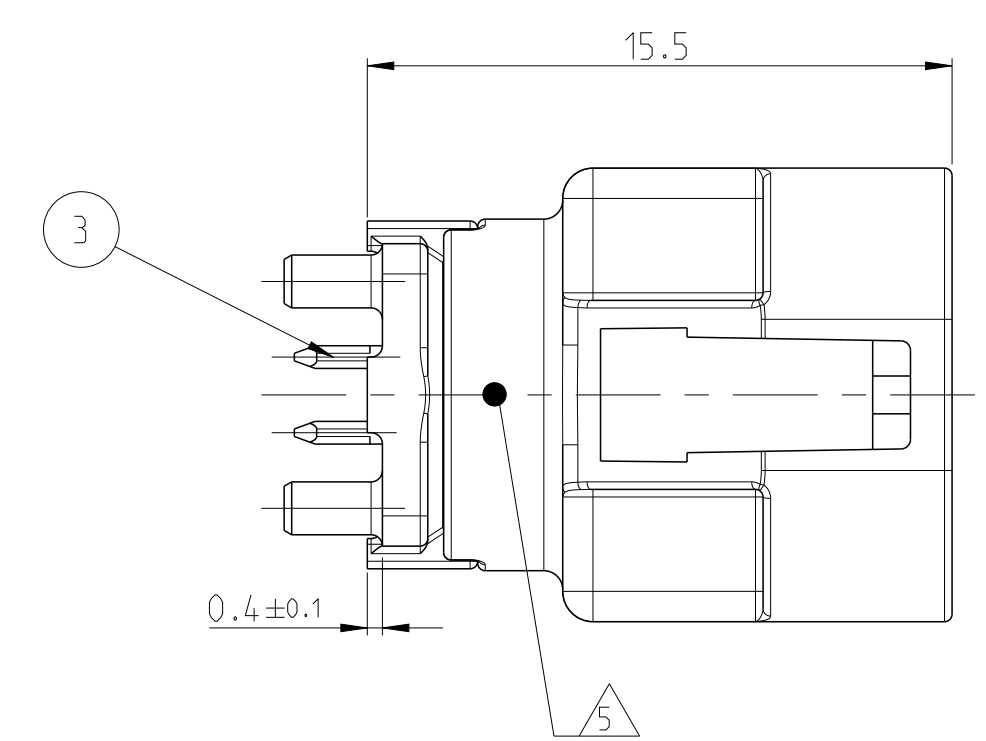
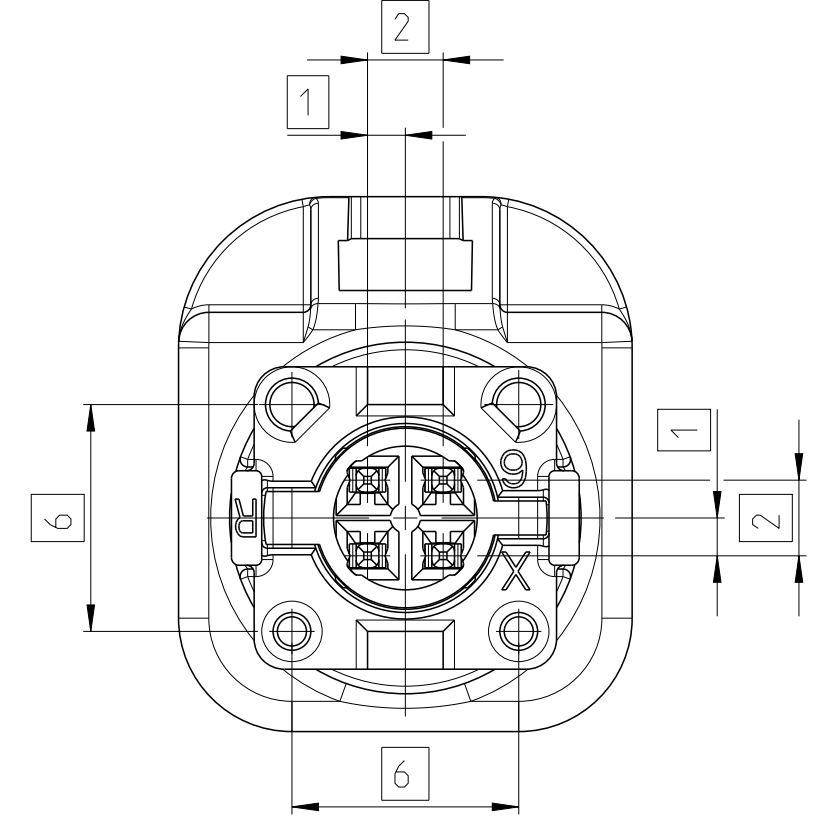
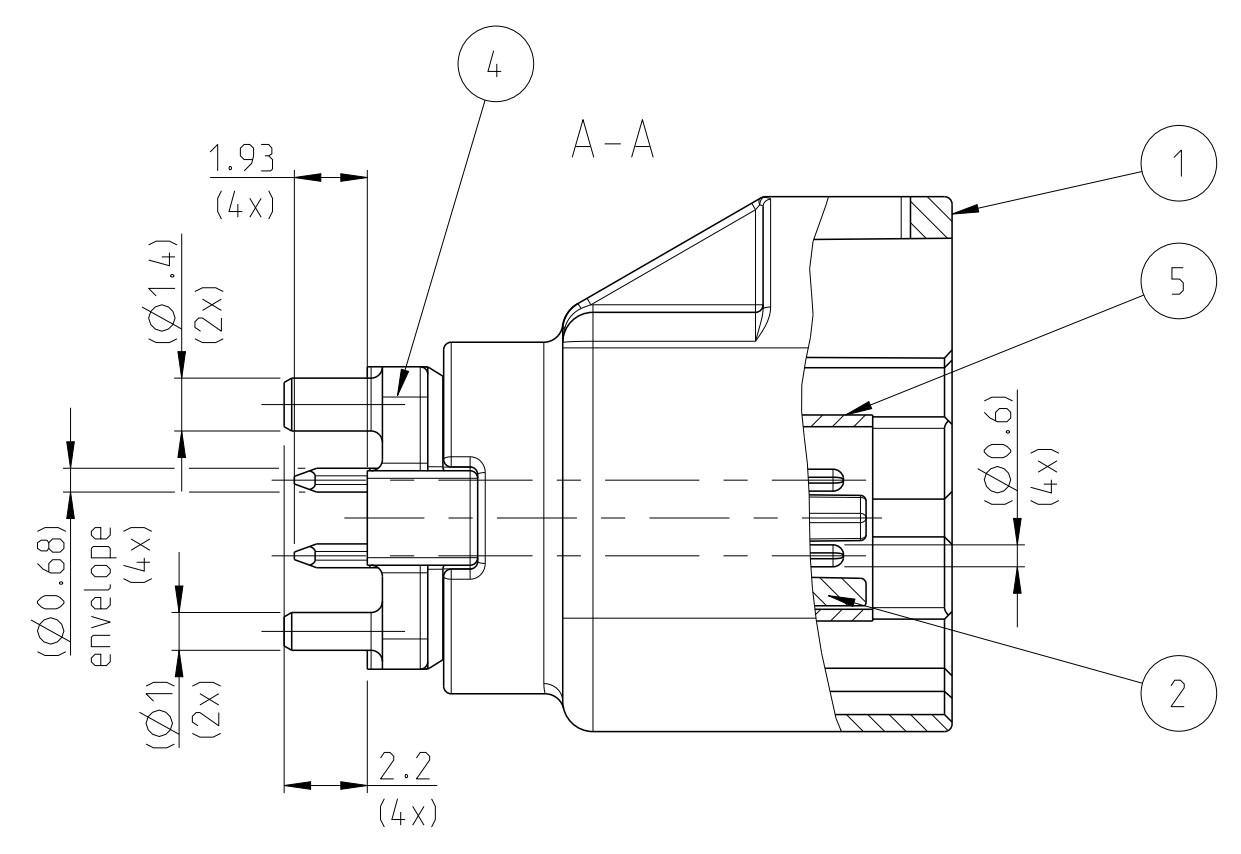
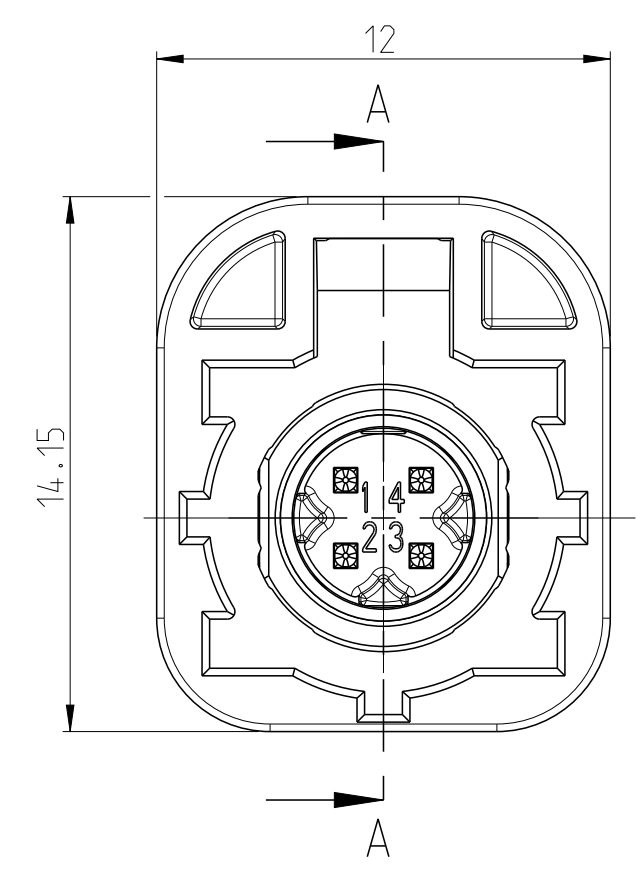
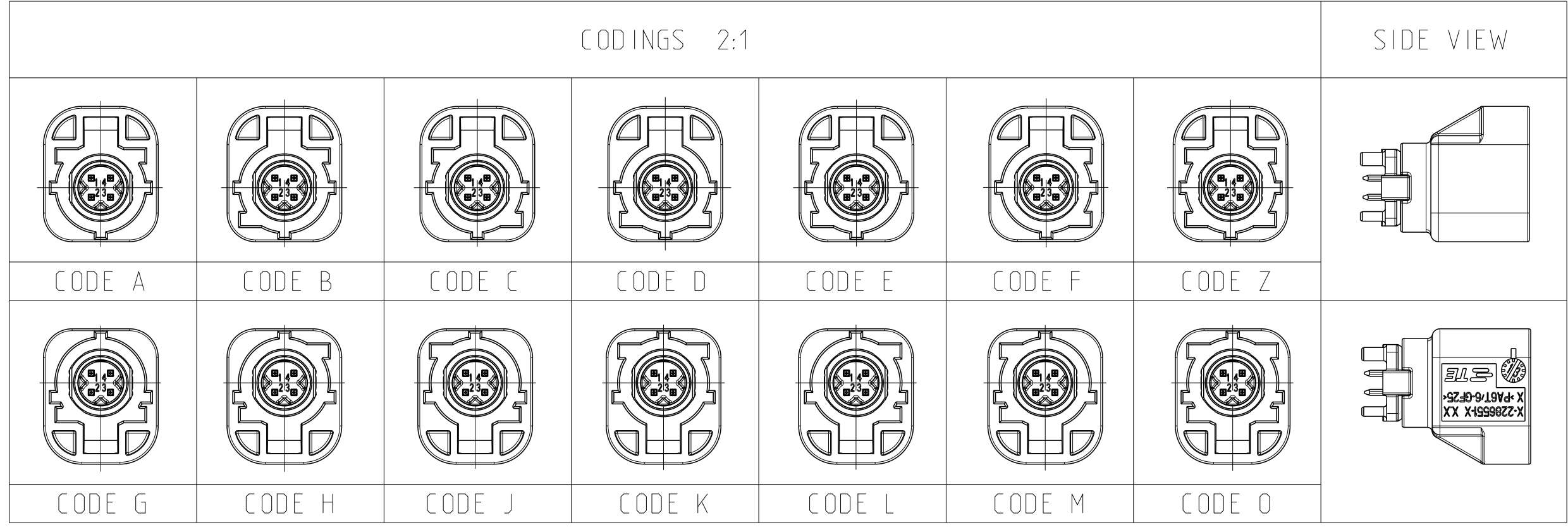


LOC	DIST	REV	DATE	BY	CHK
-	-	C1	23AUG2017	AW	MR
-	-	D	11JUN2018	MW	MR
-	-	E	19MAR2019	AW	MR
-	-	E1	26AUG2019	YC	DF



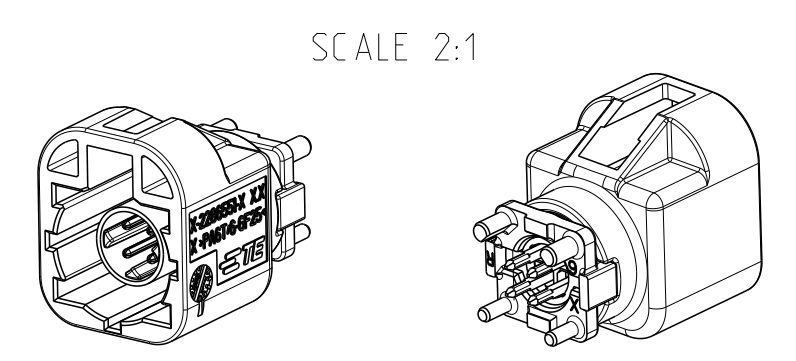
NOTES
Bemerkung

- ONLY THE GERMAN LANGUAGE SHALL BE BINDING
Massgebend ist der deutsche Text
- DETAILS OF DESIGN ARE LEFT TO TE CONNECTIVITY
Einzelheiten der Ausfuehrung bleiben TE CONNECTIVITY ueberlassen
- HSD INTERFACE ACC. TO TE SPEC. 114-18950
HSD Schnittstelle nach TE-Spez. 114-18950
- PACKAGING TAPE AND REEL
Verpackung Blistergurt
- MARKING OF 100% TEST PASSED
Gutteilmarkierung nach bestandener 100% Pruefung
- FOR FITTING HSD CONNECTOR PLEASE CONTACT TE CONNECTIVITY.
Fuer passenden Gegenstecker bitte TE Connectivity kontaktieren.
- ALL DIMENSIONS IN BRACKETS () FOR INFORMATION ONLY
Alle Masse in Klammern () nur zur Information
- PCB LAYOUT ACCORDING TO TE SPEC. 114-94381
Platinenlayout nach TE-Spez. 114-94381

WEIGHT [g]: 2.73
Gewicht [g]: 2.73

AS SHOWN /
wie gezeigt Codierung Z

QTY	DESCRIPTION	MATERIAL	FINISH COLOUR, SIMILAR RAL	ITEM NO																																																						
1	SHIELDING TUBE Schirmrohr	Cu-DHP	INTERFACE SIDE: NICKEL PLATING MIN. 3-6 µm Steckseite: Vernickelung min. 3-6 µm	5																																																						
1	SCHIELDING BODY Schirmgehäuse	ZnAl4Cu1	SOLDER SIDE: TIN PLATING Lotseite: Verzinnung	4																																																						
4	CONTACT PIN Kontaktpin	CuSn4	SOLDER SIDE: TIN PLATING MIN 3µm Lotseite: Verzinnung min. 3µm INTERFACE SIDE: GOLD PLATING Steckseite: Vergoldet	3																																																						
1	CAVITY BLOCK Kontaktraeger	PA4T-GF30 or alternative	BLACK	2																																																						
1	CODING COVER Kodierkappe	PA6T/6-GF25	LIGHT GREEN. 6027	1																																																						
1			PASTEL ORANGE. 2003																																																							
1			YELLOW GREEN. 6018																																																							
1			CURRY. 1027																																																							
1			BEIGE. 1001																																																							
1			HEATHER VIOLET. 4003																																																							
1			BLuish GREY. 7031																																																							
1			WATER BLUE. 5021																																																							
1			NUT BROWN. 8011																																																							
1			LEAF GREEN. 6002																																																							
1			CLARET VIOLET. 4004																																																							
1			SIGNAL BLUE. 5005																																																							
1			CREAM WHITE. 9001																																																							
1			JET BLACK. 9005																																																							
<table border="1"> <thead> <tr> <th>QTY</th> <th>CODE</th> <th>DESCRIPTION</th> <th>MATERIAL</th> <th>FINISH COLOUR, SIMILAR RAL</th> <th>ITEM NO</th> </tr> </thead> <tbody> <tr> <td>0-1</td> <td>0-2</td> <td>0-3</td> <td>0-4</td> <td>0-5</td> <td>0-6</td> <td>0-9</td> <td>1-1</td> <td>1-2</td> <td>1-3</td> <td>1-4</td> <td>1-5</td> <td>1-6</td> <td>1-9</td> <td colspan="2">ASSY NO. X-2286547-Y</td> </tr> <tr> <td>A</td> <td>B</td> <td>C</td> <td>D</td> <td>E</td> <td>F</td> <td>Z</td> <td>G</td> <td>H</td> <td>J</td> <td>K</td> <td>L</td> <td>M</td> <td>O</td> <td colspan="2">ASSY CODE</td> </tr> <tr> <td>E</td> <td>E</td> <td>E</td> <td>E</td> <td>E</td> <td>E</td> <td>E</td> <td>E</td> <td>E</td> <td>E</td> <td>E</td> <td>E</td> <td>E</td> <td>E</td> <td colspan="2">REVISION</td> </tr> </tbody> </table>					QTY	CODE	DESCRIPTION	MATERIAL	FINISH COLOUR, SIMILAR RAL	ITEM NO	0-1	0-2	0-3	0-4	0-5	0-6	0-9	1-1	1-2	1-3	1-4	1-5	1-6	1-9	ASSY NO. X-2286547-Y		A	B	C	D	E	F	Z	G	H	J	K	L	M	O	ASSY CODE		E	E	E	E	E	E	E	E	E	E	E	E	E	E	REVISION	
QTY	CODE	DESCRIPTION	MATERIAL	FINISH COLOUR, SIMILAR RAL	ITEM NO																																																					
0-1	0-2	0-3	0-4	0-5	0-6	0-9	1-1	1-2	1-3	1-4	1-5	1-6	1-9	ASSY NO. X-2286547-Y																																												
A	B	C	D	E	F	Z	G	H	J	K	L	M	O	ASSY CODE																																												
E	E	E	E	E	E	E	E	E	E	E	E	E	E	REVISION																																												



THIS DRAWING IS A CONTROLLED DOCUMENT.

DIMENSIONS: mm

TOLERANCES UNLESS OTHERWISE SPECIFIED:

0 PLC	±0.3
1 PLC	±0.3
2 PLC	±0.3
3 PLC	±0.3
4 PLC	±0.3
ANGLES	±0.5

MATERIAL: - FINISH: -

Customer Drawing

OWN: A. Weiss 14 JUL 2014
 CHK: M. Reinhardt 14 JUL 2014
 APVD: M. Reinhardt 14 JUL 2014

NAME: 4 POS. HSD 180 HEADER ASSY
 4 Pol. HSD 180 Stifteleiste Assy

SIZE: A1 CAGE CODE: 00779 DRAWING NO: 114-94381 WEIGHT: -
 SCALE: 5:1 SHEET: 1 OF 2 REV: E1

RESTRICTED TO: -

