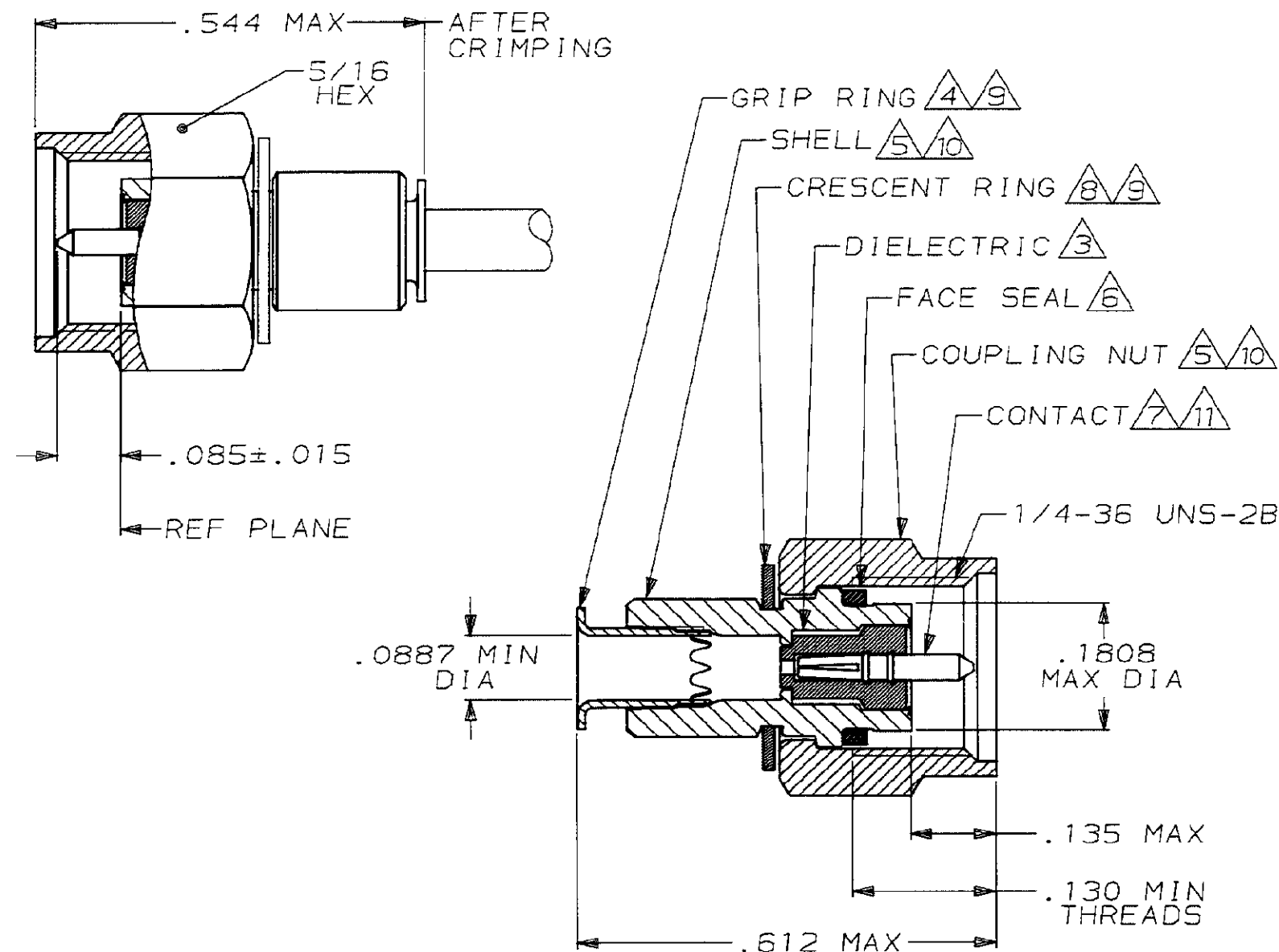


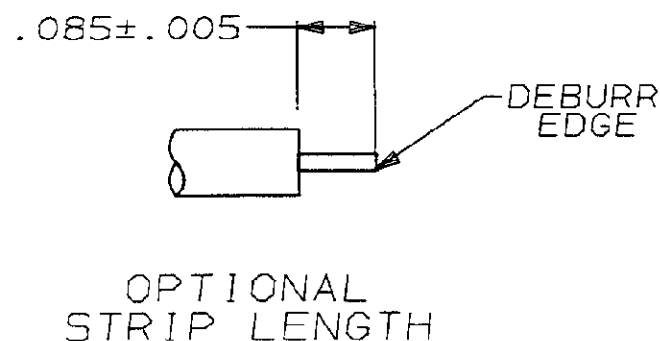
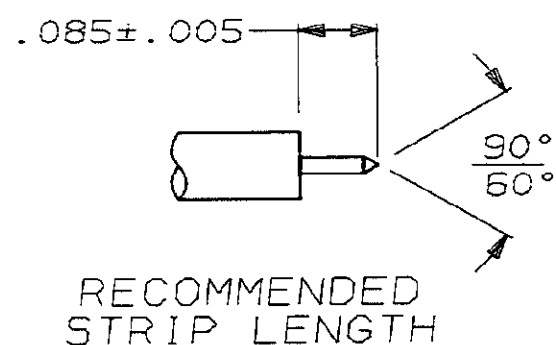
DRAWING MADE IN THIRD ANGLE PROJECTION

THIS DRAWING IS UNPUBLISHED. RELEASED FOR PUBLICATION  
 © COPYRIGHT 19 BY AMP INCORPORATED, HARRISBURG, PA. ALL INTERNATIONAL RIGHTS RESERVED. AMP PRODUCTS MAY BE COVERED BY U.S. AND FOREIGN PATENTS AND/OR PATENTS PENDING.

LOC	DIST	P	F	ZONE	LTR	DESCRIPTION	DATE	APPROVED
AJ	16	✓	✓		G	REDWN & REV PER AJ-2377	5-19-87	MS/DH
		✓	✓		H	REV PER AJ-3182	7-13-88	MS
					J	REV PER AJ-3649	2-9-89	CB



- FOR USE WITH: RG-405/U, .086 SEMI-RIGID CABLE
- SEE I.S. 6788
- PTFE PER MIL-P-19468
- BRASS PER MIL-C-50
- STAINLESS STEEL PER ASTM-A-582
- SILICONE RUBBER PER ZZ-R-765
- BERYLLIUM COPPER PER QQ-C-530
- BERYLLIUM COPPER, ALLOY #25
- NICKEL PL PER QQ-N-290
- PASSIVATION PER QQ-P-35
- GOLD PL PER MIL-G-45204
- M39012/79B3103
- .500 MIN LENGTH OF STRAIGHT CABLE REQUIRED TO APPLY THE CONNECTOR



		227868-1	
		PART NO	
UNLESS OTHERWISE SPECIFIED DIMENSIONS ARE IN INCHES TOLERANCES ON:		<b>AMP</b> AMP INCORPORATED Harrisburg, Pa. 17105	
2 PL DEC ± _____ 3 PL DEC ± _____ ANGLES * _____		NAME	
MATERIAL		DR M. SNEED 5-19-87 CHK D. HEIDE 5-19-87 APPD M. WALMSLEY 5-19-87 APPD M. SNEED 5-19-87	
3 THRU 8		PRODUCT SPEC 108-12055	
FINISH		APPLICATION SPEC	
9 THRU 11		SIZE <b>B</b> FSCM NO 00779 DRAWING NO 227868-1	
WEIGHT .093 OZ		SCALE 5:1 SHEET 1 OF 1	