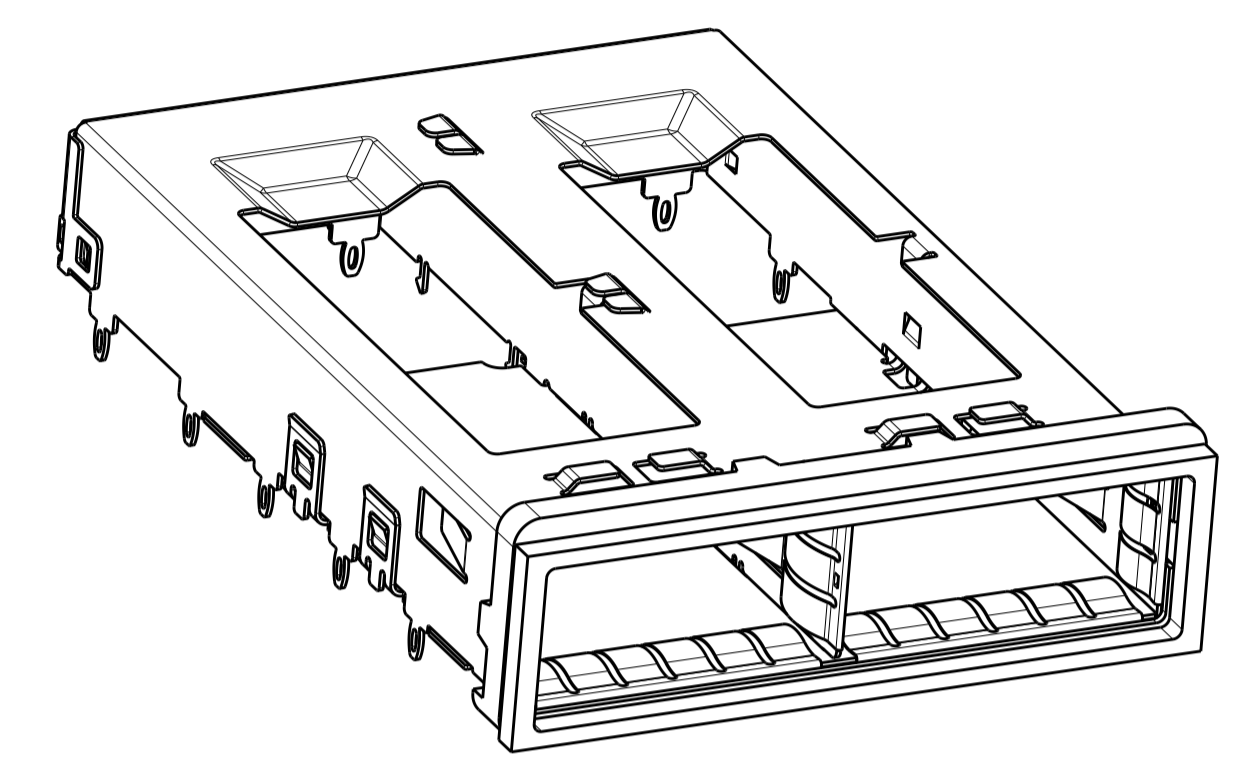
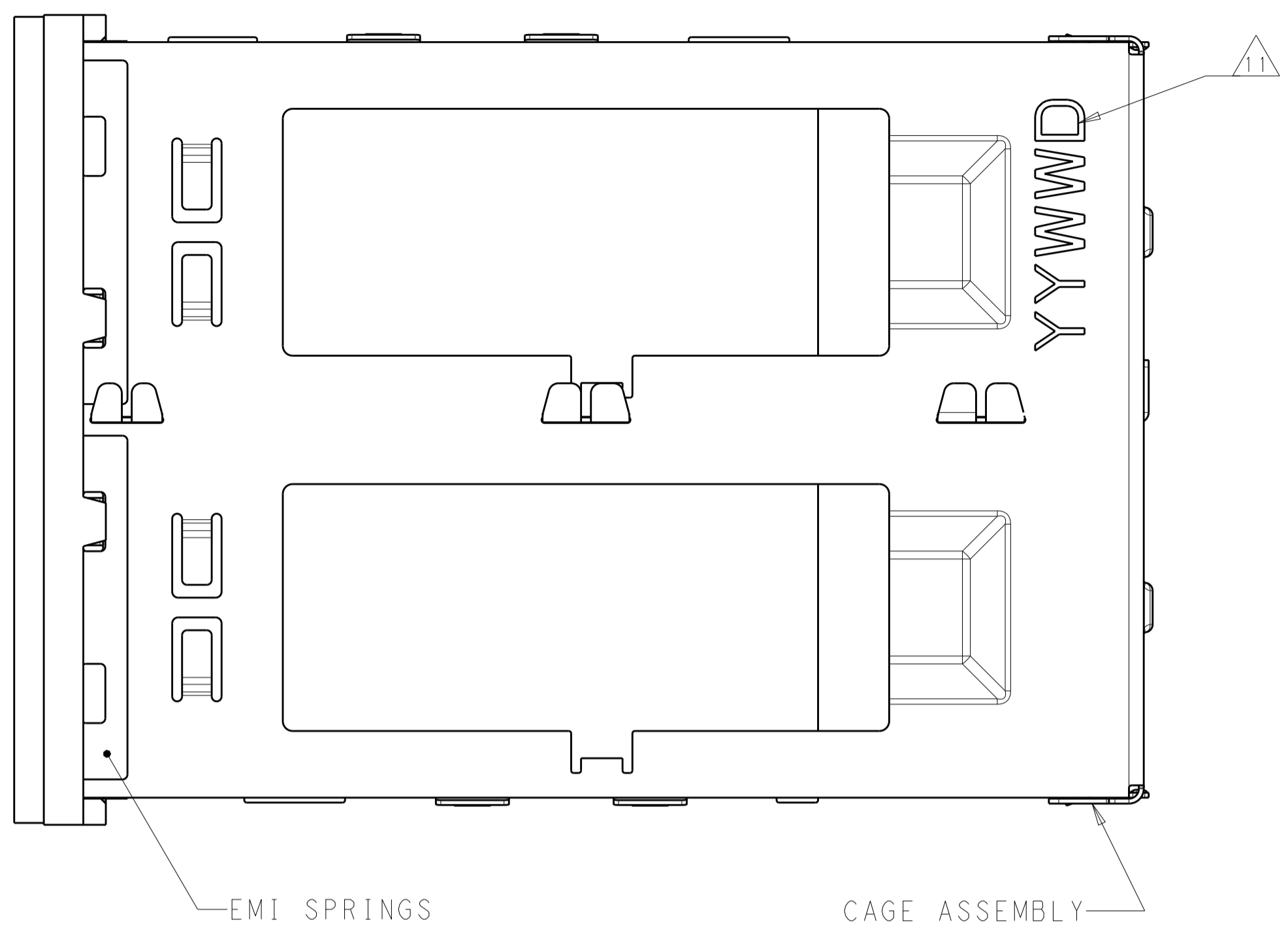
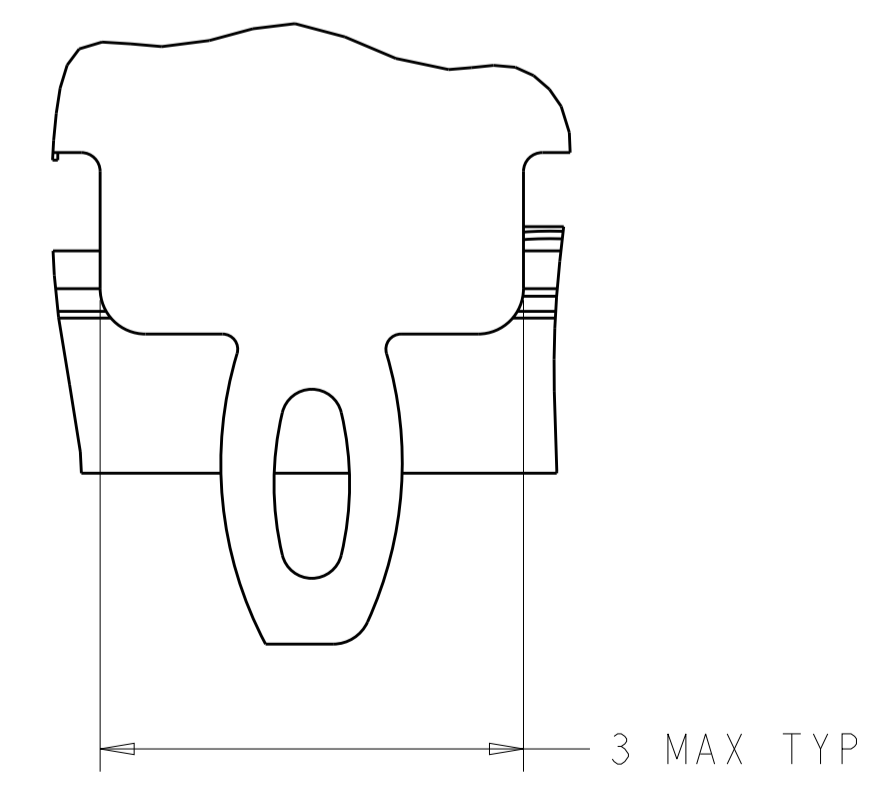
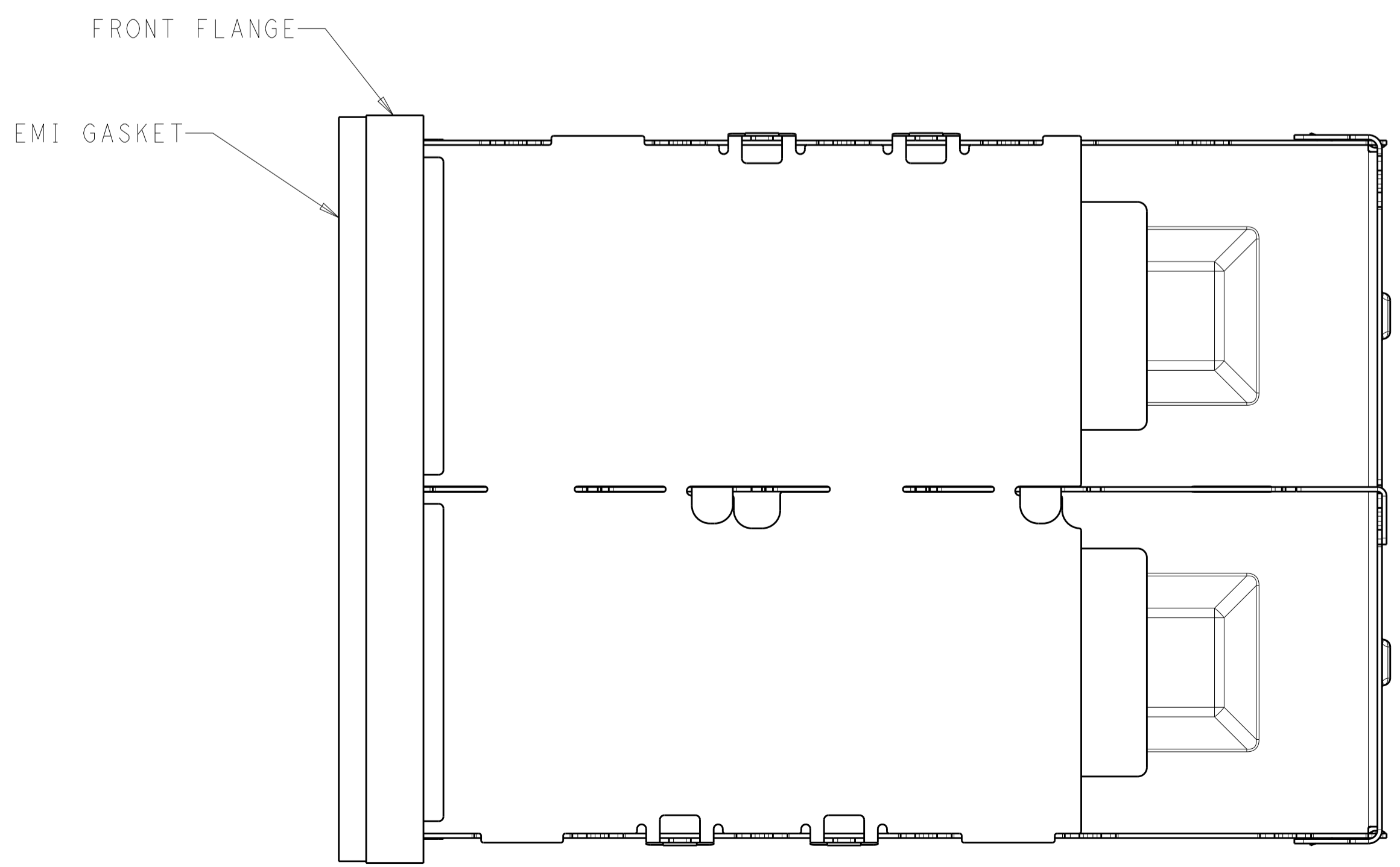
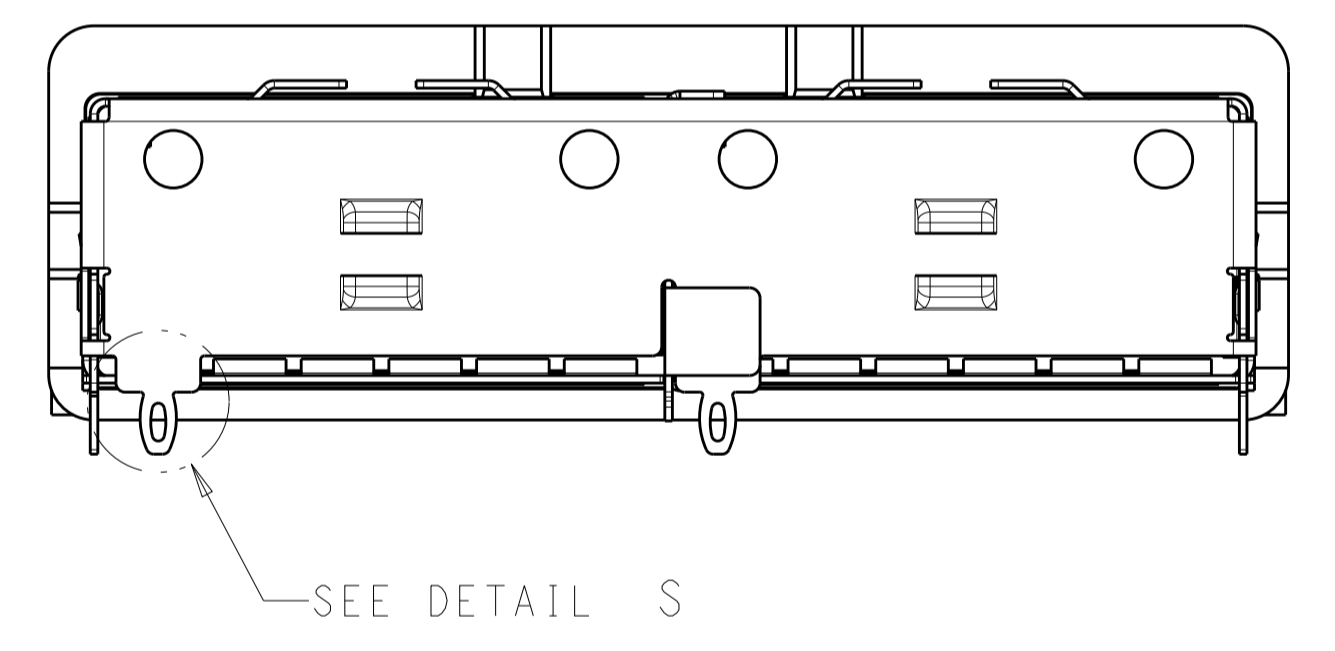
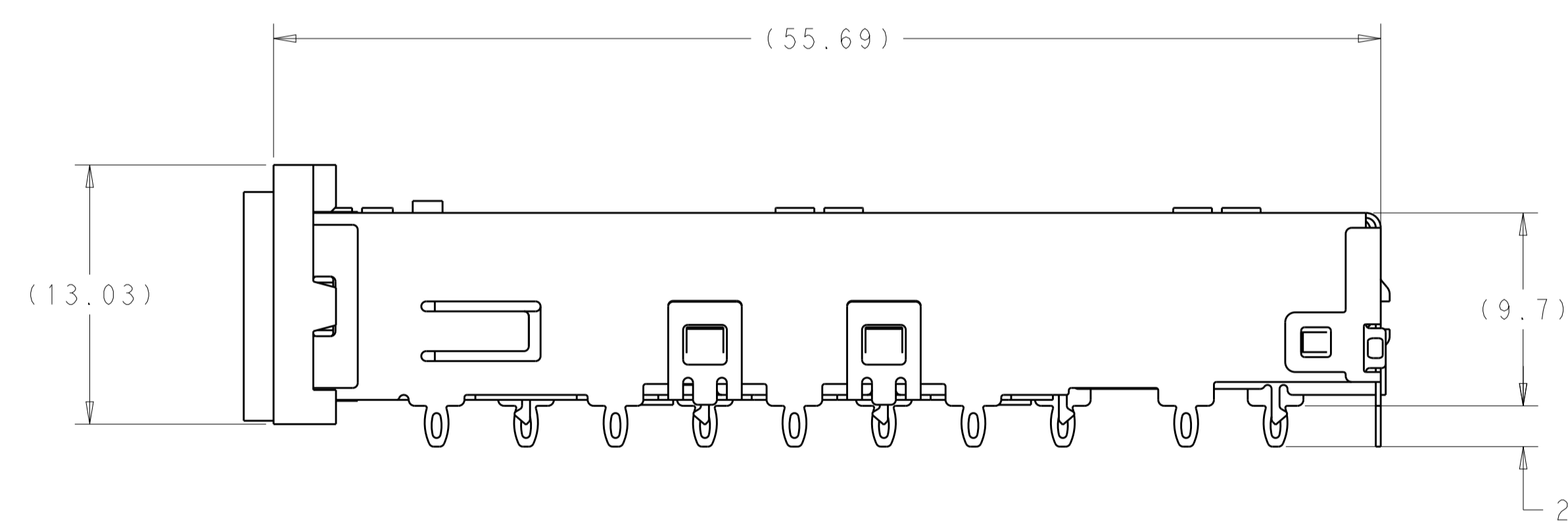
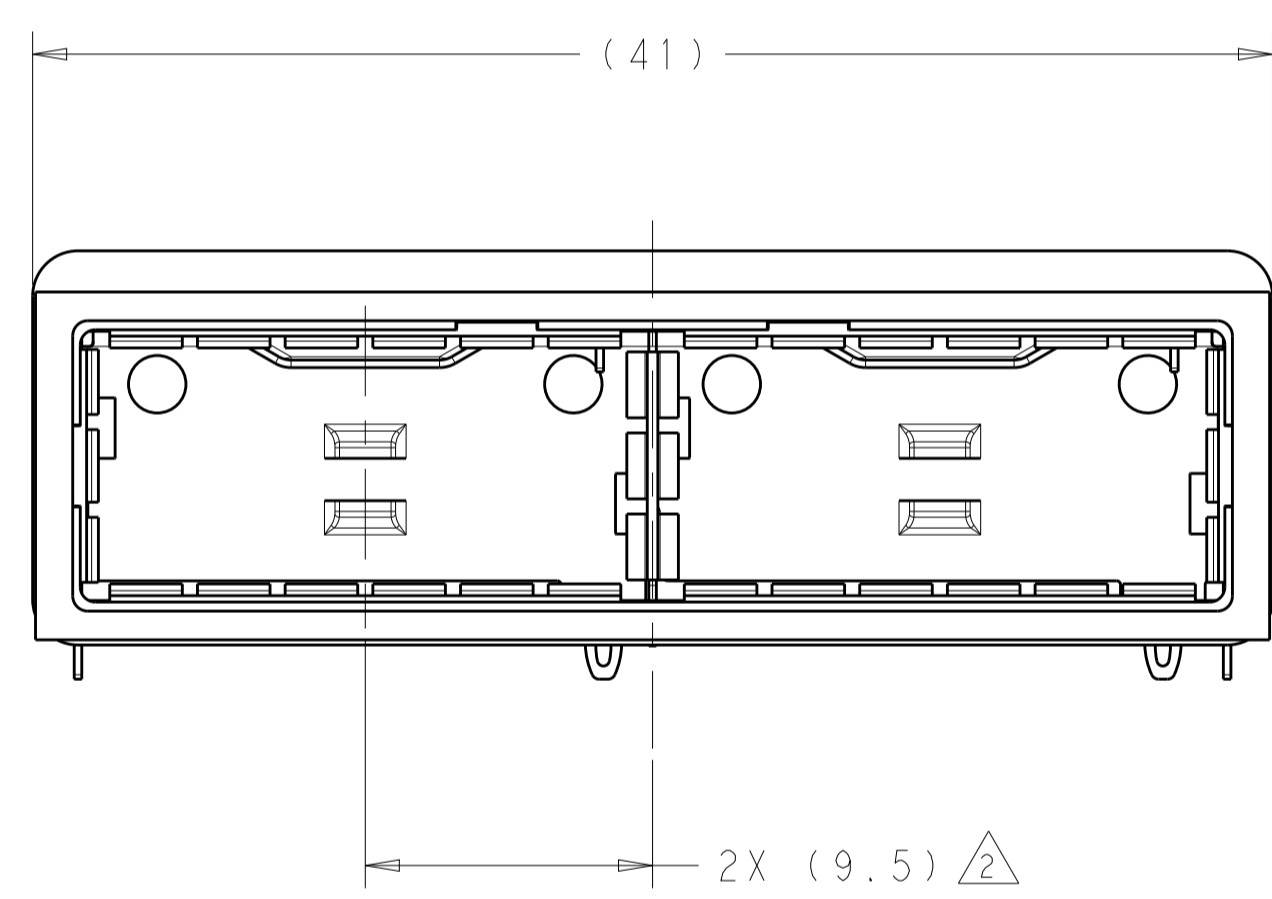


LOC	DIST	REVISIONS			
P	LTN	DESCRIPTION	DATE	DMN	APVD
GP	00	A	RELEASE	29FEB2016	JY SH

- △ SURFACE TRACES PERMITTED WITHIN THIS AREA EXCEPT WHERE CAGE STANDOFFS, SHOWN IN DETAIL S, CONTACT PC BOARD.
- △ PITCH BETWEEN PORTS OF ONE 1X2 CAGE ASSEMBLY.
- △ SPACING BETWEEN CAGES ON THE SAME PC BOARD, TO BE SPECIFIED BY CUSTOMER, MUST COMPLY WITH MINIMUM DIMENSIONS SHOWN.
- △ REFERENCE APPLICATION SPEC 114-32023 FOR RECOMMENDED DRILL HOLE DIAMETER AND PLATING THICKNESS.
- △ UNPLATED THRU HOLE.
- △ DATUMS AND BASIC DIMENSIONS ESTABLISHED BY CUSTOMER.
- △ DATUM A IS TOP SURFACE OF PC BOARD.
- △ DIMENSION C IS THE NOMINAL THICKNESS OF CUSTOMER SUPPLIED PC BOARD.
- MINIMUM PC BOARD THICKNESS:  
 SINGLE SIDED = 1.45mm  
 DOUBLE SIDED = 2.2mm
- ⊕ MATES WITH QSFP MSA COMPATIBLE TRANSCEIVER.
- △ BASELINE FOR THESE DIMENSIONS IS THE CENTER OF COMPLIANT PIN HOLE.
- △ DATE CODE (YYWWD) MARKED APPROXIMATELY AS SHOWN.
- △ MATERIAL/FINISH:  
 CAGE ASSEMBLY: NICKEL SILVER, 0.25 THICK  
 EMI SPRINGS: COPPER ALLOY/TIN  
 FRONT FLANGE: ZINC ALLOY/TIN OVER NICKEL AND COPPER  
 EMI GASKET: BURRER FOAM



ISOMETRIC VIEW  
SCALE 5:2

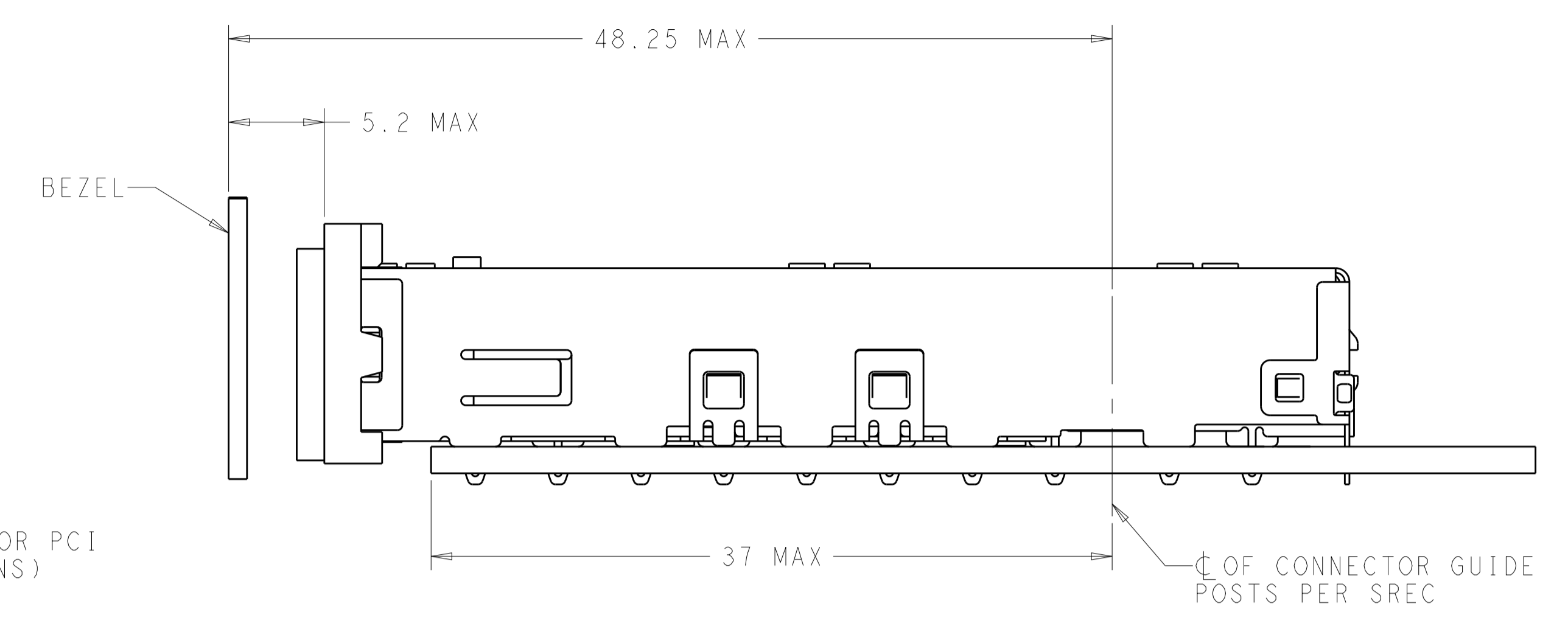
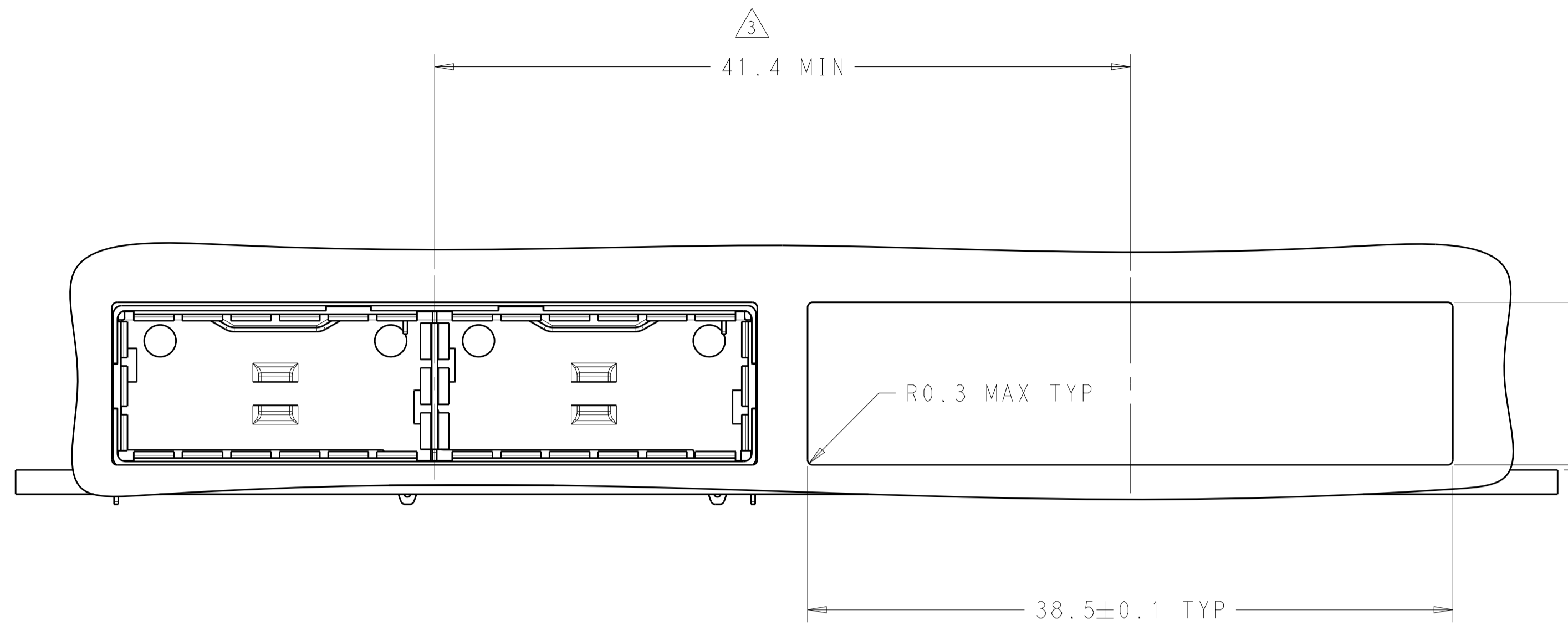


DETAIL S  
SCALE 20:1

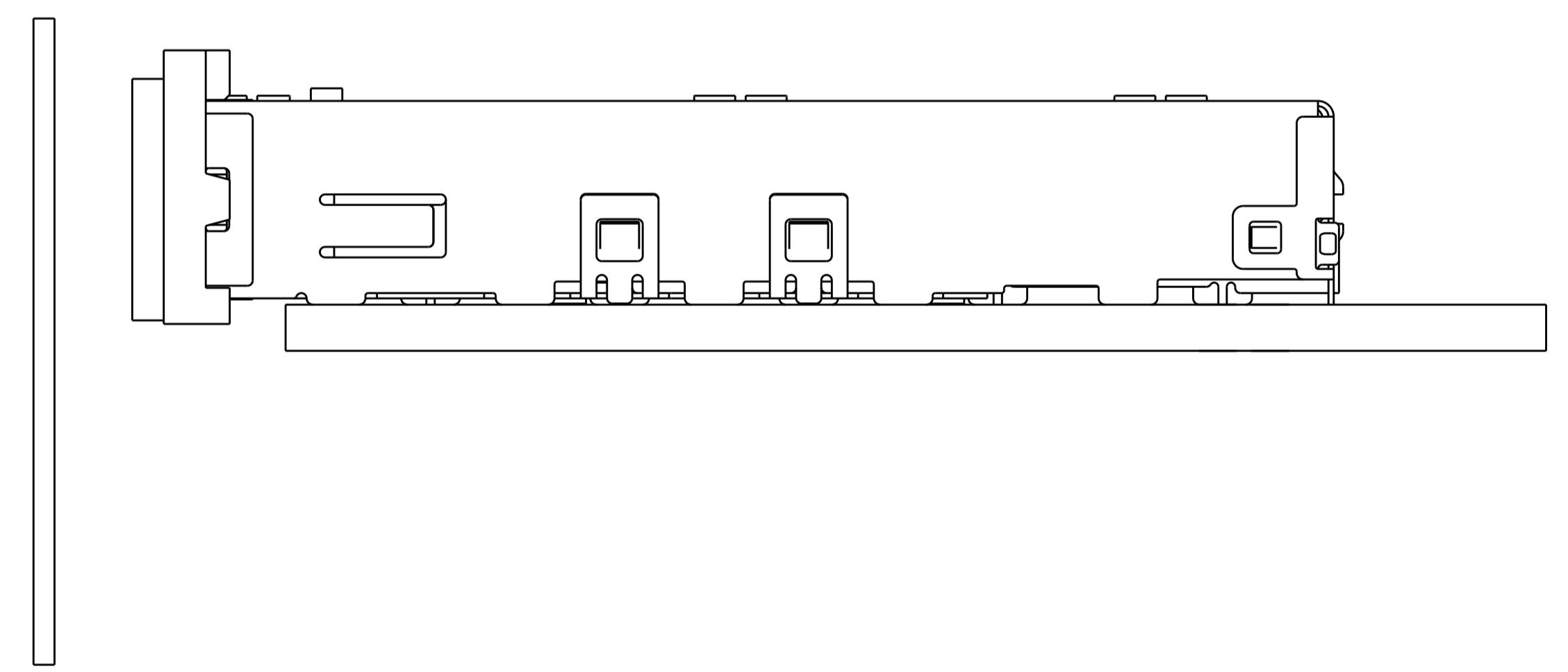
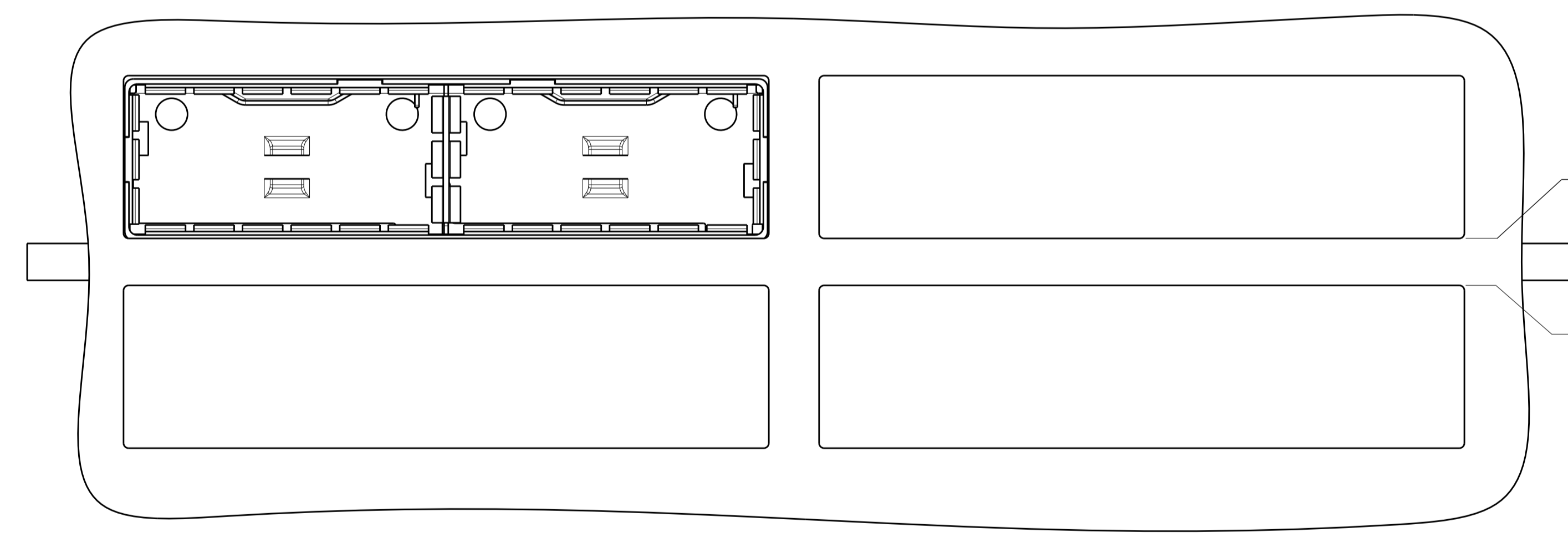
2274086-1  
PART NUMBER

THIS DRAWING IS A CONTROLLED DOCUMENT. DIMENSIONING AND TOLERANCING PER ASME Y14.5M-2009.		DMN: C. VALENTINI 27JUN2013 CHK: E. BRIANT 27JUN2013 APVD: E. BRIANT 27JUN2013	NAME: 1X2 CAGE ASSEMBLY, BEHIND BEZEL, CONDUCTIVE GASKET, zQSFP+
DIMENSIONS:	TOLERANCES UNLESS OTHERWISE SPECIFIED:	PRODUCT SPEC: 108-19428	APPLICATION SPEC: 114-32023
mm	0 PLC ± 1 PLC ±0.5 2 PLC ±0.13 3 PLC ± 4 PLC ±	SIZE: A1	CAGE CODE: 00779
MATERIAL:	FINISH:	WEIGHT:	SCALE: 4:1
CUSTOMER DRAWING		SHEET 1 OF 4	REV A

LOC	DIST	REV	DATE	BY	APPD
		1			
		2			
		3			
		4			
		5			
		6			
		7			
		8			



ONE-SIDED CONFIGURATION



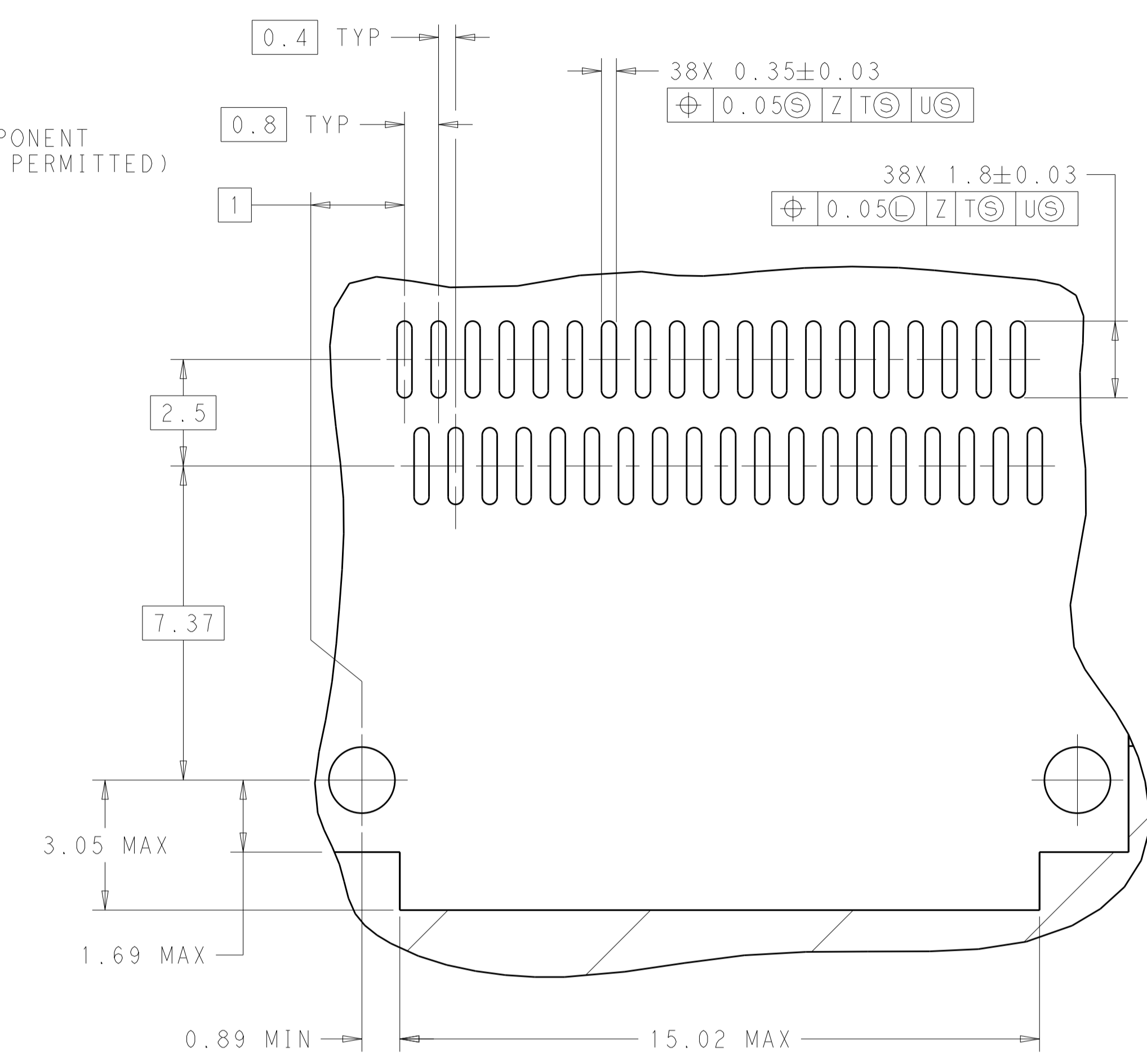
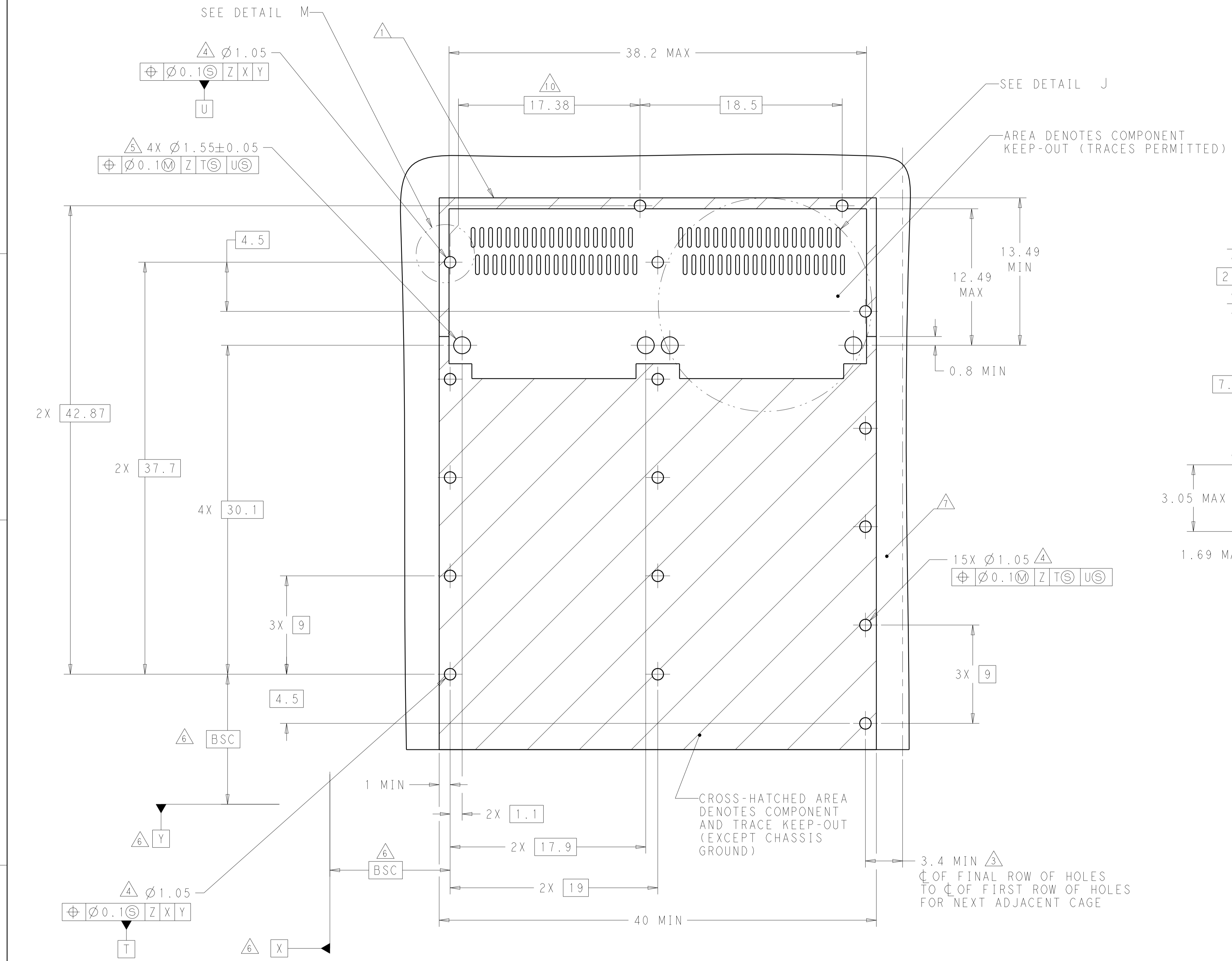
BELLY TO BELLY CONFIGURATION SIMILAR TO ONE SIDED EXCEPT WHERE NOTED

THIS DRAWING IS A CONTROLLED DOCUMENT. DIMENSIONING AND TOLERANCING PER ASME Y14.5M-2009		DWN: C. VALENTINE 27JUN2013 CHK: E. BRIANT 27JUN2013 APVD: E. BRIANT 27JUN2013	NAME: 1X2 CAGE ASSEMBLY, BEHIND BEZEL, CONDUCTIVE GASKET, ZQSFP+ PRODUCT SPEC: 108-19428 APPLICATION SPEC: 114-32023	SIZE: A CAGE CODE: 100779 DRAWING NO: C=2274086	RESTRICTED TO: - SCALE: 4:1 SHEET: 2 OF 4 REV: A
DIMENSIONS: mm TOLERANCES UNLESS OTHERWISE SPECIFIED: 0 PLC ± 1 PLC ±0.5 2 PLC ±0.13 3 PLC ± 4 PLC ± ANGLES ± FINISH		MATERIAL: CUSTOMER DRAWING			

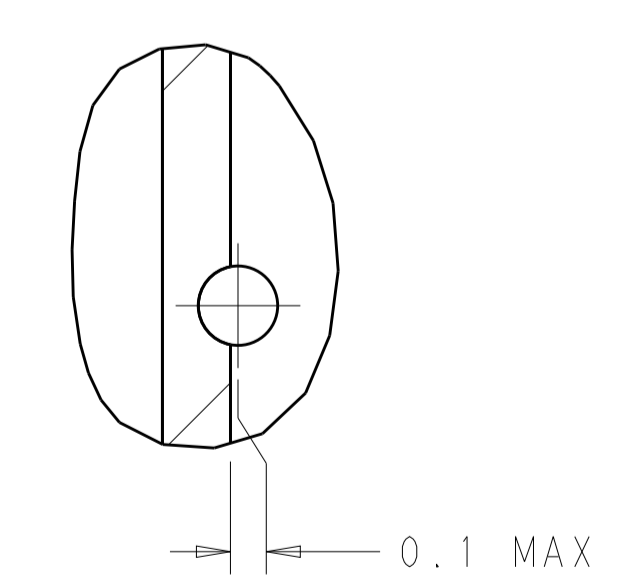
LOC	DIST	REV	DATE	BY	APPD
		1			

REVISIONS		DATE	BY	APPD
P. LTH	DESCRIPTION			
-	SEE SHEET 1	-	-	-



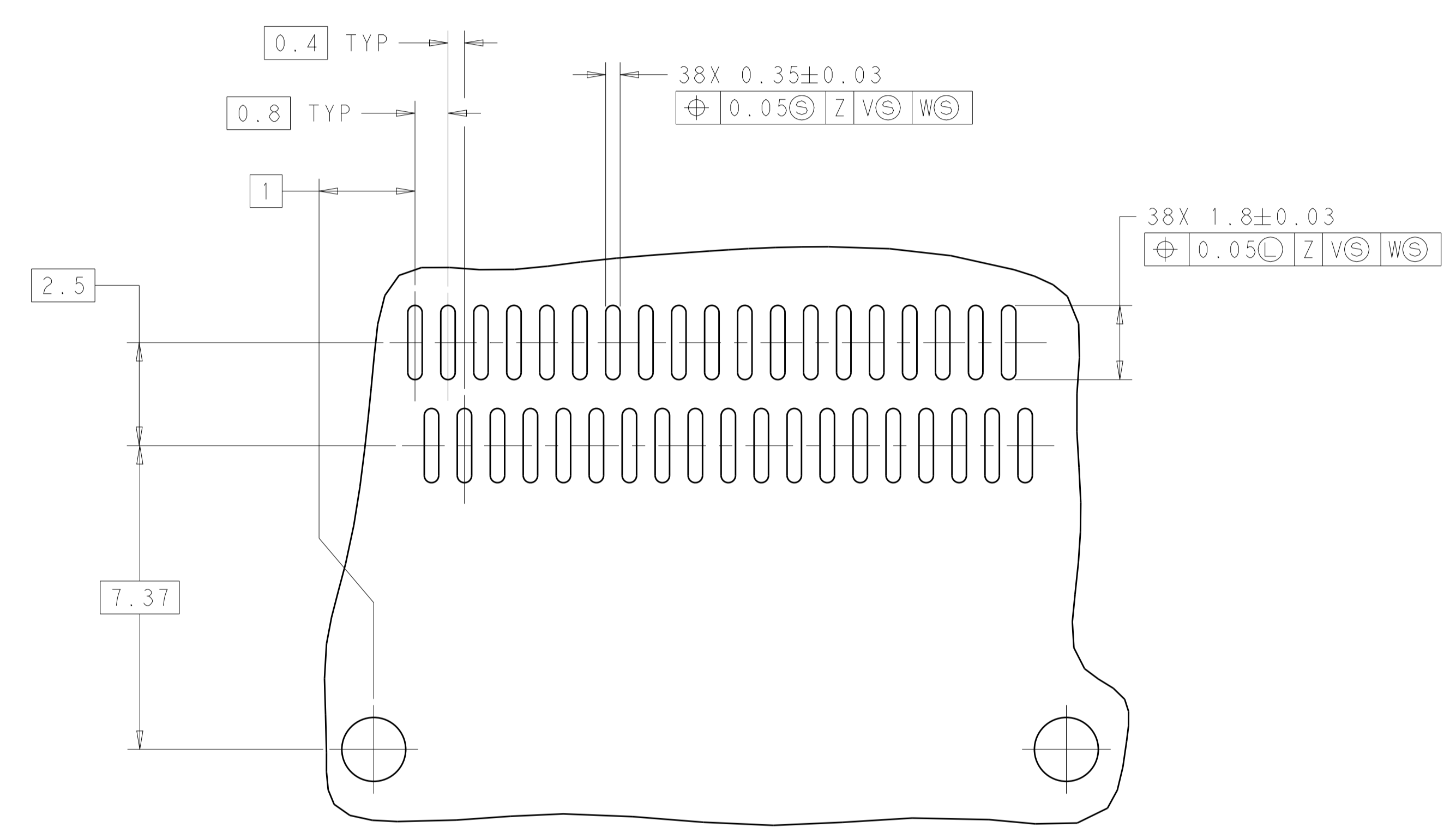
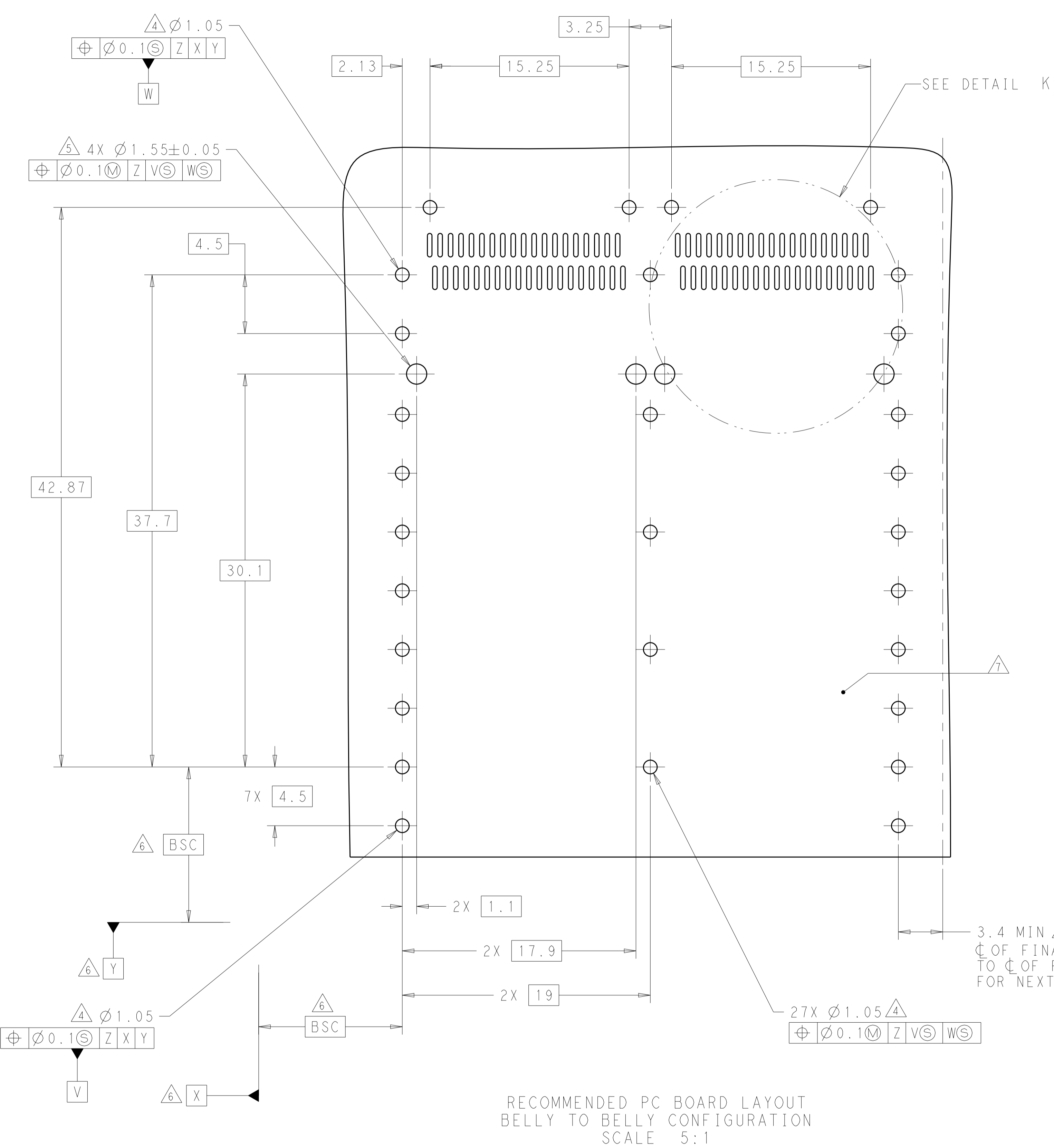
DETAIL J  
2 PLACES  
SCALE 10:1



DETAIL M  
SCALE 10:1

THIS DRAWING IS A CONTROLLED DOCUMENT. DIMENSIONING AND TOLERANCING PER ASME Y14.5M-2009.		DWN C. VALENTINE 27JUN2013	 TE Connectivity
DIMENSIONS: mm		CHK E. BRIANT 27JUN2013	
TOLERANCES UNLESS OTHERWISE SPECIFIED:		APVD E. BRIANT 27JUN2013	NAME 1X2 CAGE ASSEMBLY, BEHIND BEZEL, CONDUCTIVE GASKET, ZQSFP+
0 PLC	±0.5	PRODUCT SPEC	108-19428
1 PLC	±0.13	APPLICATION SPEC	114-32023
2 PLC	±0.13	SIZE	CAGE CODE DRAWING NO
3 PLC	±0.13	WEIGHT	A100779C=2274086
4 PLC	±0.13	CUSTOMER DRAWING	SCALE 4:1 SHEET 3 OF 4 REV A
ANGLES	±0.13		
FINISH			

LOC		DIST		REVISIONS			
P	LTN	DESCRIPTION	DATE	DMN	APVD		
-	-	SEE SHEET 1	-	-	-	-	-



THIS DRAWING IS A CONTROLLED DOCUMENT. DIMENSIONING AND TOLERANCING PER: ASME Y14.5M-2009		DMN C. VALENTIN 27JUN2013 CHK E. BRIANT 27JUN2013 APVD E. BRIANT 27JUN2013	TE Connectivity NAME 1X2 CAGE ASSEMBLY, BEHIND BEZEL, CONDUCTIVE GASKET, ZQSFP+ PRODUCT SPEC 108-19428 APPLICATION SPEC - SIZE CAGE CODE DRAWING NO. 114-32023 WEIGHT - CUSTOMER DRAWING	
DIMENSIONS: mm	TOLERANCES UNLESS OTHERWISE SPECIFIED:	0 PLC $\pm$	1 PLC $\pm$ 0.5	2 PLC $\pm$ 0.13
		3 PLC $\pm$	4 PLC $\pm$	ANGLES $\pm$
MATERIAL	FINISH	SCALE 4:1	SHEET 4 OF 4	REV A