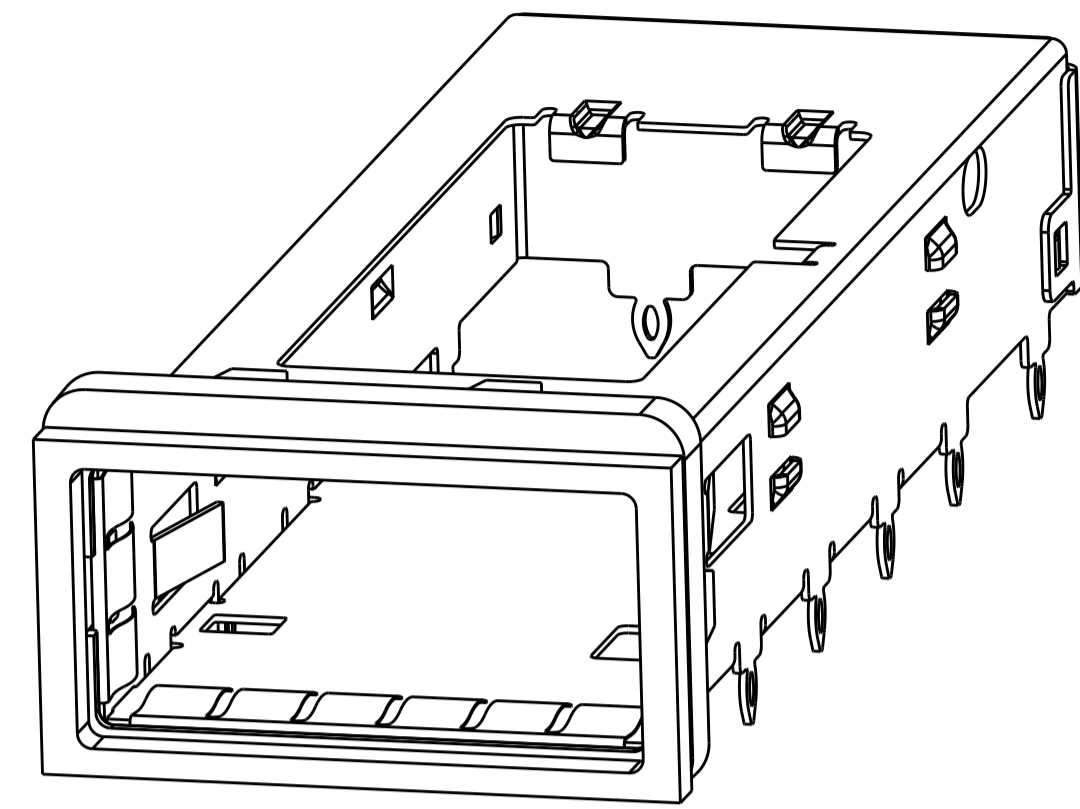
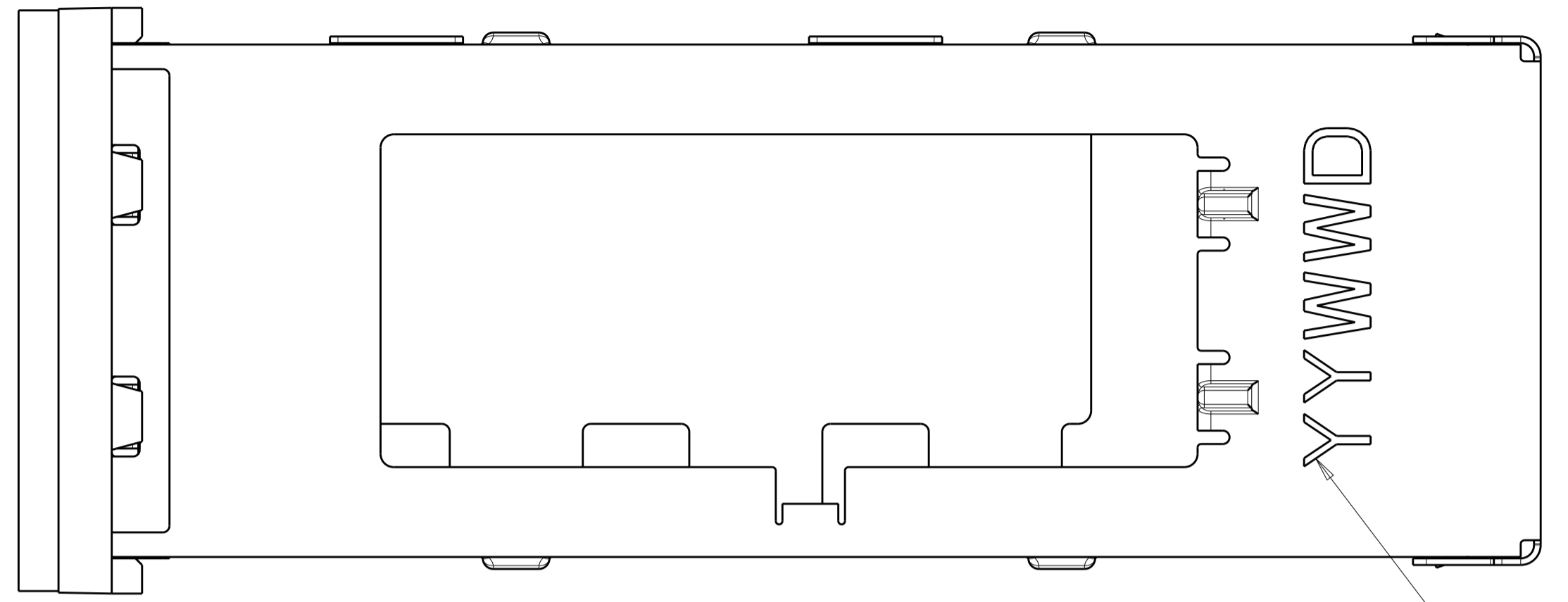


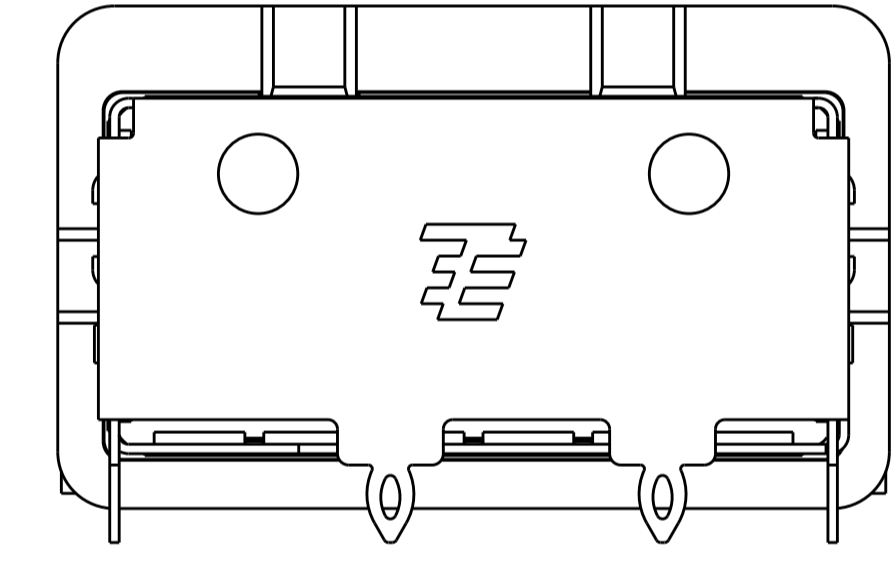
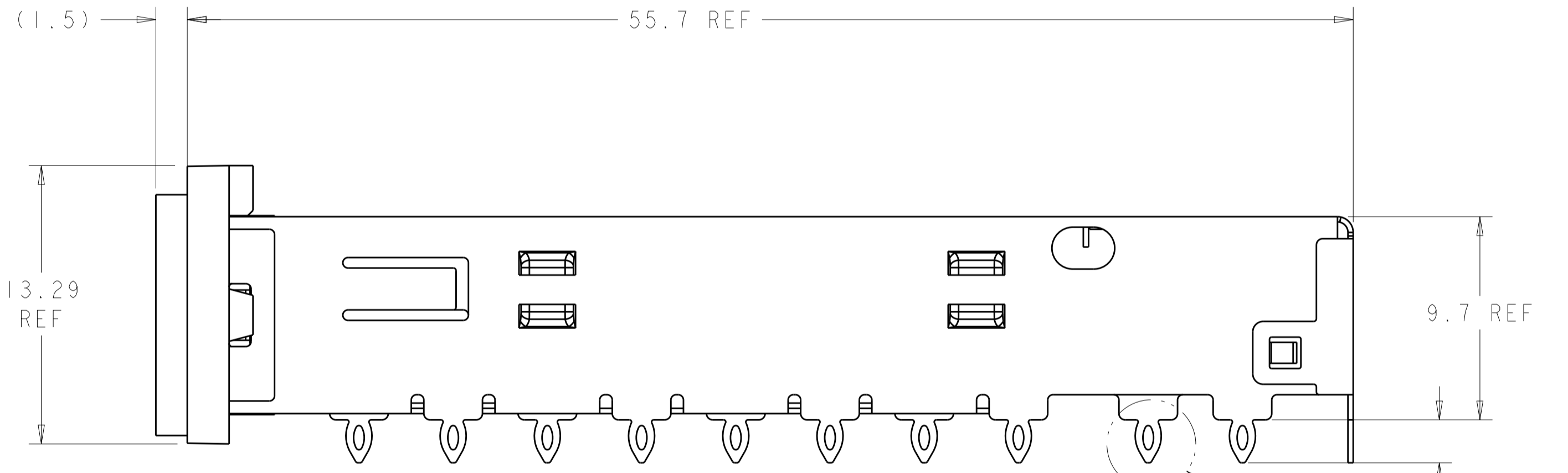
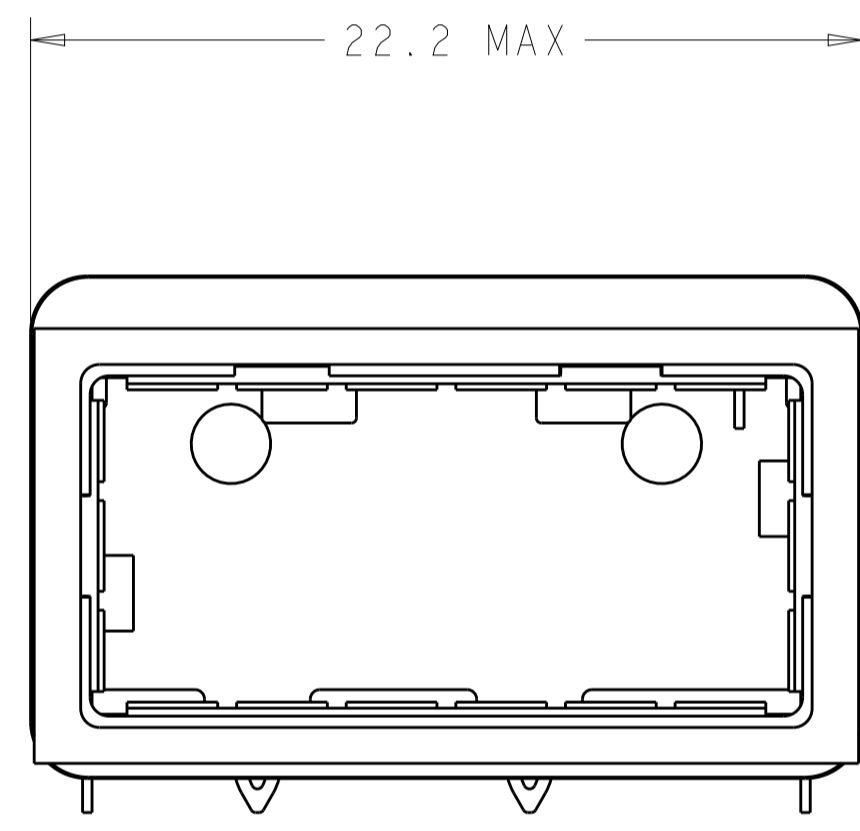
LOC	DIST	REVISIONS			
P	LTN	DESCRIPTION	DATE	DWN	APVD
I		ORIGINAL	27JUN2013	CJV	EDB



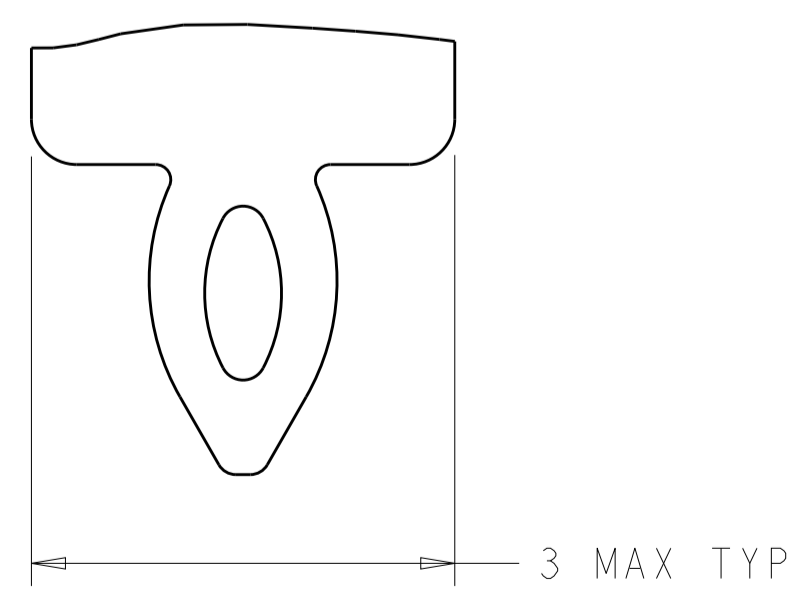
ISOMETRIC VIEW  
SCALE 4:1



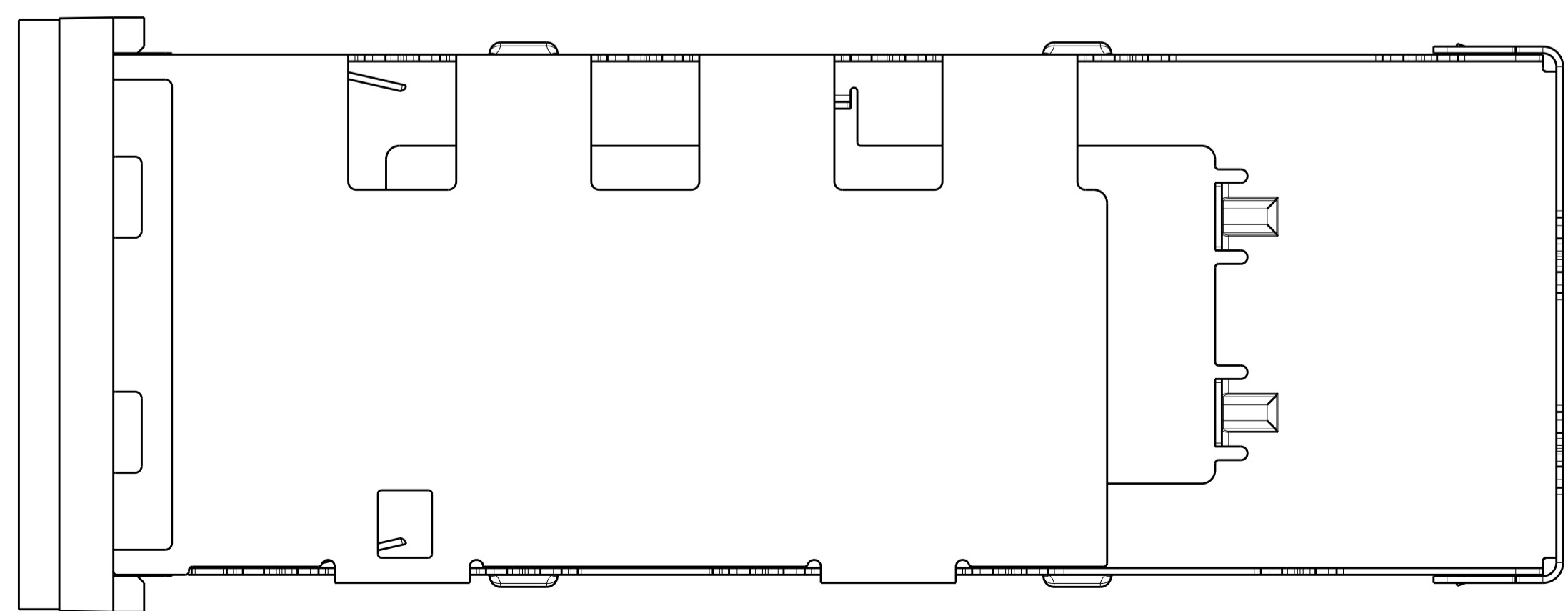
- 1. SURFACE TRACES PERMITTED WITHIN THIS LENGTH EXCEPT WHERE CAGE STANDOFFS, SHOWN IN DETAIL J, CONTACT PC BOARD.
- 2. MINIMUM PITCH DIMENSION.
- 3. MATES WITH QSFP MSA COMPATIBLE TRANSCEIVER.
- 4. REFERENCE APPLICATION SPEC 114-13218 FOR RECOMMENDED DRILL HOLE DIAMETER AND PLATING THICKNESS.
- 5. DATUM AND BASIC DIMENSIONS ESTABLISHED BY CUSTOMERS.
- 6. DIMENSION C IS THE NOMINAL THICKNESS OF CUSTOMER SUPPLIED PC BOARD,  
SINGLE SIDED PC BOARD MINIMUM THICKNESS: 1.45  
DOUBLE SIDED PC BOARD MINIMUM THICKNESS: 2.7.
- 7. DATUM A IS TOP SURFACE OF THE HOST BOARD.
- 8. DATE CODE (YYWW) MARKED APPROXIMATELY AS SHOWN.
- 9. CAGE MATERIAL: 0.25 THICK NICKEL SILVER  
EMI SPRING MATERIAL: COPPER ALLOY  
FRONT FLANGE MATERIAL: ZINC ALLOY.  
EMI GASKET: BURRER FOAM.
- 10. EMI SPRING FINISH: 2µm MIN TIN  
FRONT FLANGE FINISH: 3µm MIN THICK TIN OVER 1.27µm  
MIN THICK NICKEL OVER 5.08µm  
MIN THICK COPPER.



SEE DETAIL J



DETAIL J  
SCALE 20:1

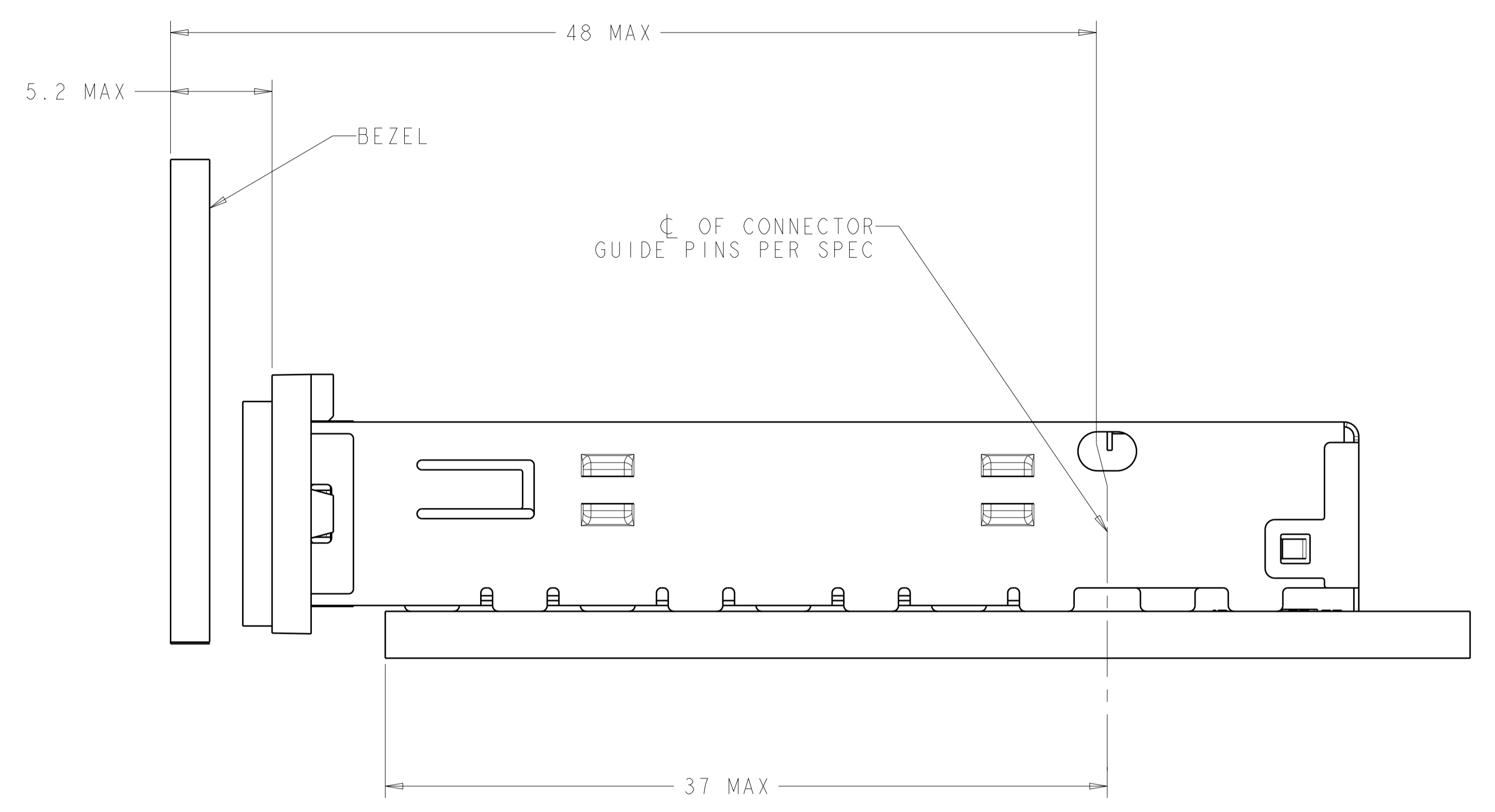
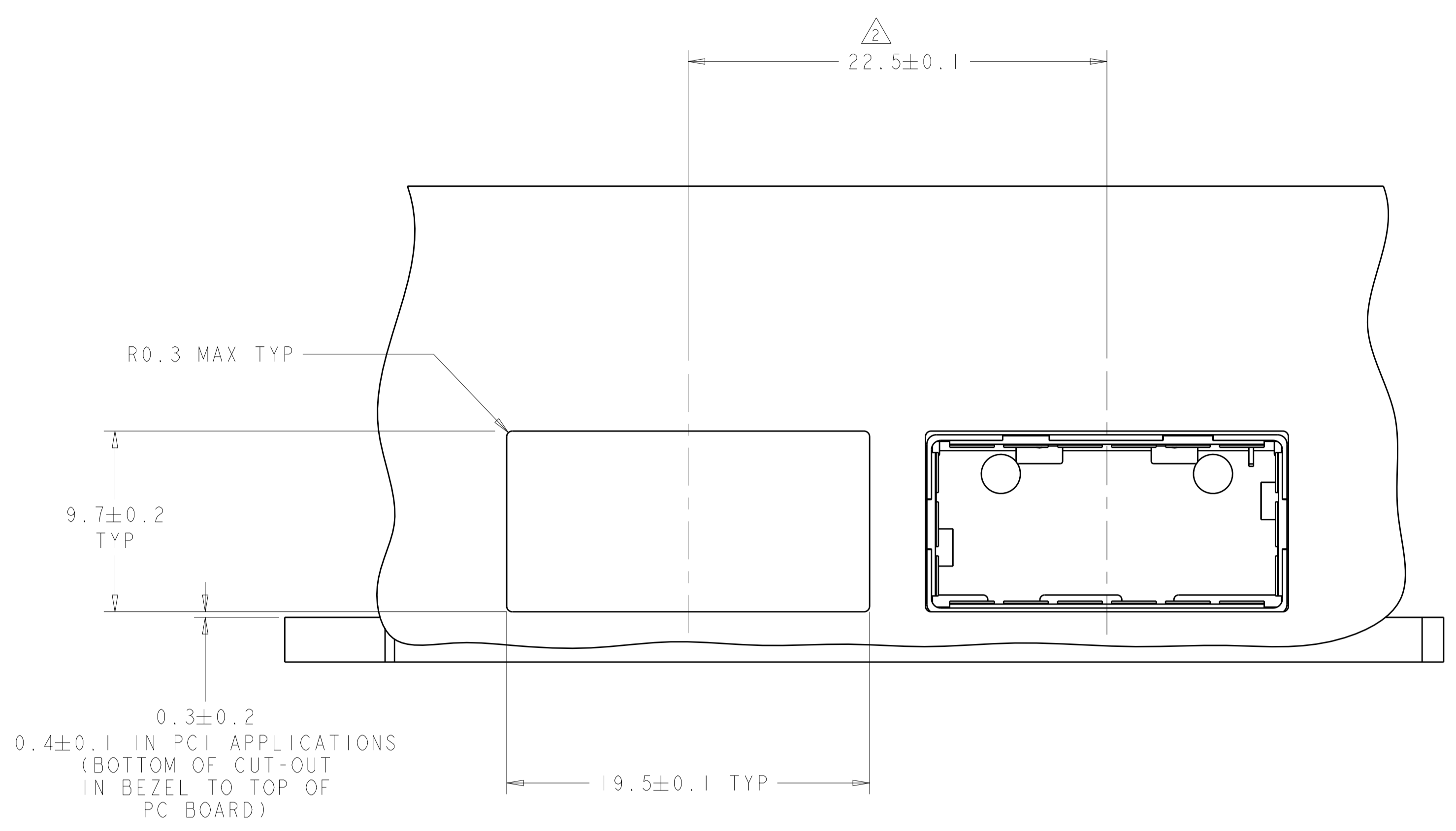


THIS PRINT IS  
**PRELIMINARY**  
UNQUALIFIED PRODUCT  
CONTACT PRODUCT ENGINEERING  
BEFORE USING THIS PRINT

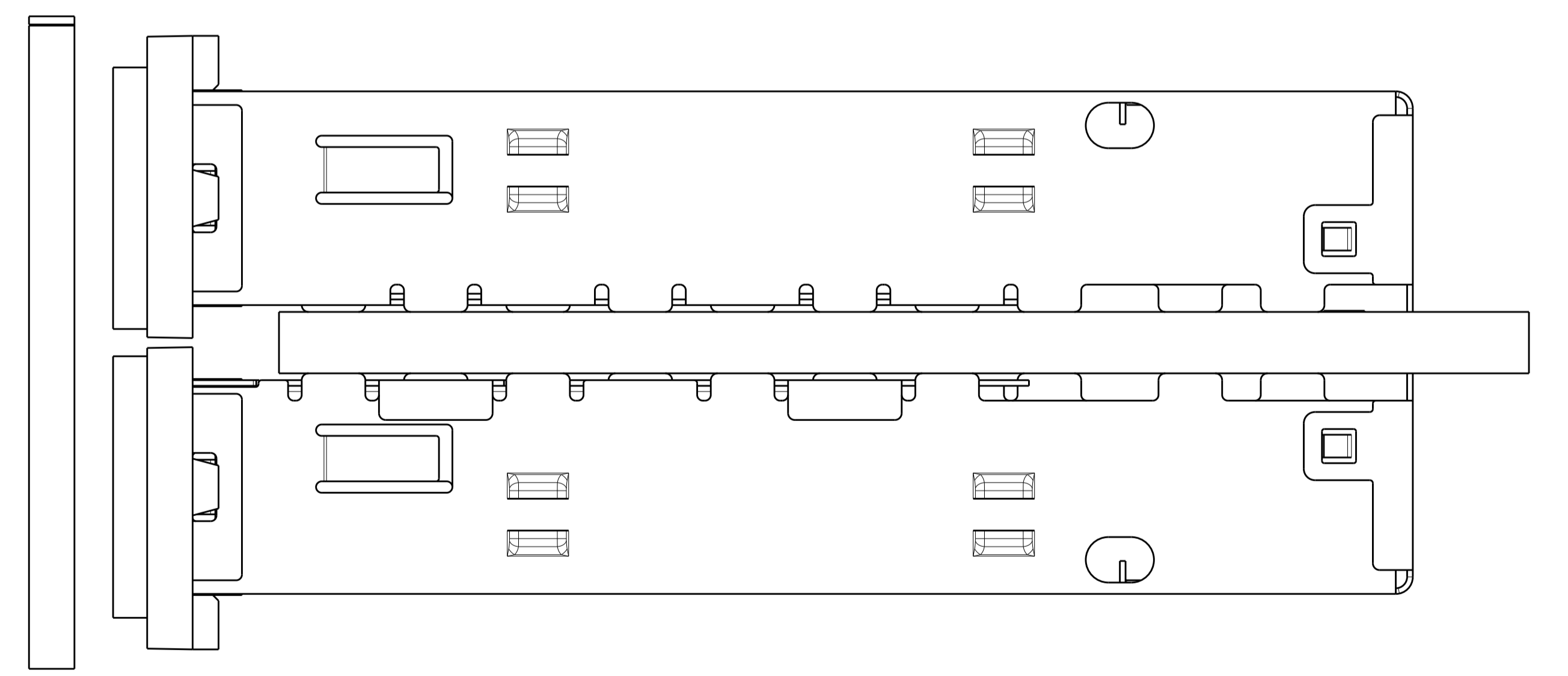
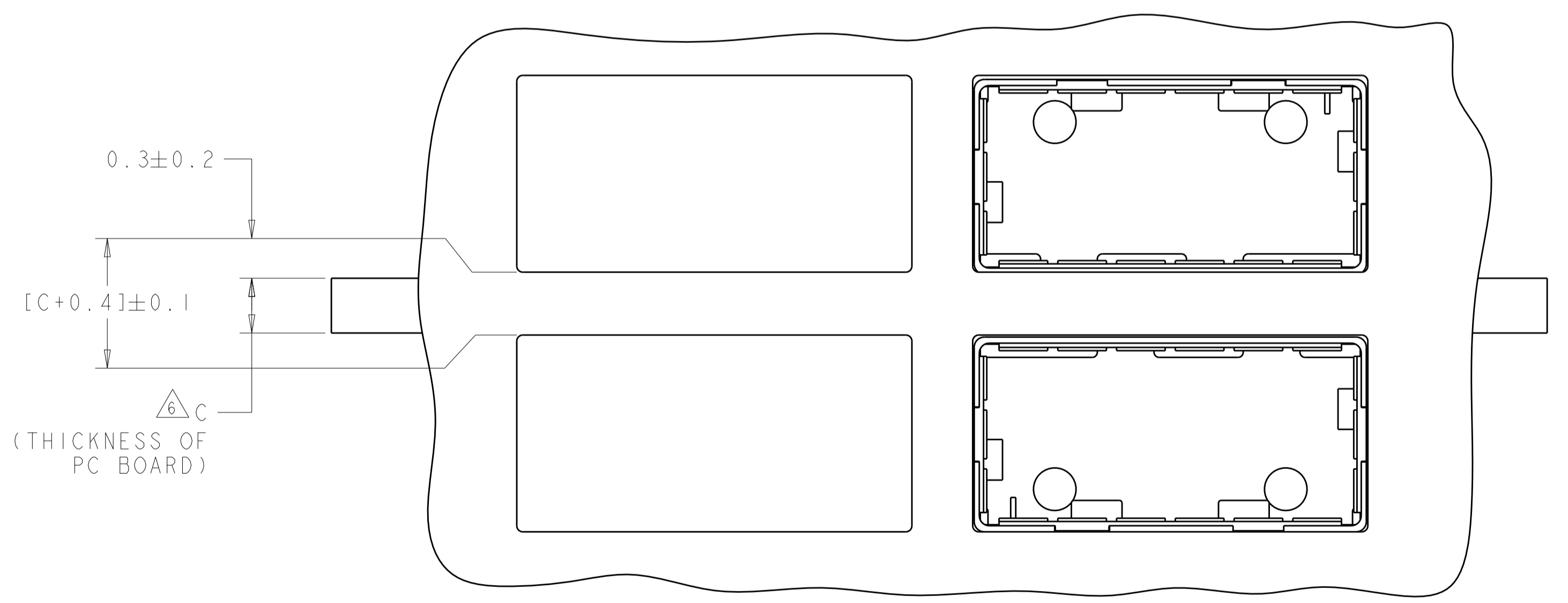
2274085-1  
PART  
NUMBER

THIS DRAWING IS A CONTROLLED DOCUMENT. DIMENSIONING AND TOLERANCING PER ASME Y14.5M-2009.		DWN C. VALENTINE CHK E. BRIANT APVD E. BRIANT	27JUN2013 27JUN2013 27JUN2013	TE Connectivity NAME CAGE ASSEMBLY, BEHIND BEZEL, CONDUCTIVE GASKET, QSFP	RESTRICTED TO		
DIMENSIONS:	TOLERANCES UNLESS OTHERWISE SPECIFIED:	PRODUCT SPEC	APPLICATION SPEC		SIZE A1	CAGE CODE 00779	DRAWING NO C=2274085
mm	0 PLC ±0.13 1 PLC ±0.13 2 PLC ±0.13 3 PLC ±0.13 4 PLC ±0.13 ANGLES ±0.13	WEIGHT	CUSTOMER DRAWING	SCALE 5:1	SHEET 1	OF 4	REV

LOC		DIST		REVISIONS			
GP	00	P	LTN	DESCRIPTION	DATE	DMN	APVD
-	-	-	-	SEE SHEET 1	-	-	-



ONE SIDED CONFIGURATION

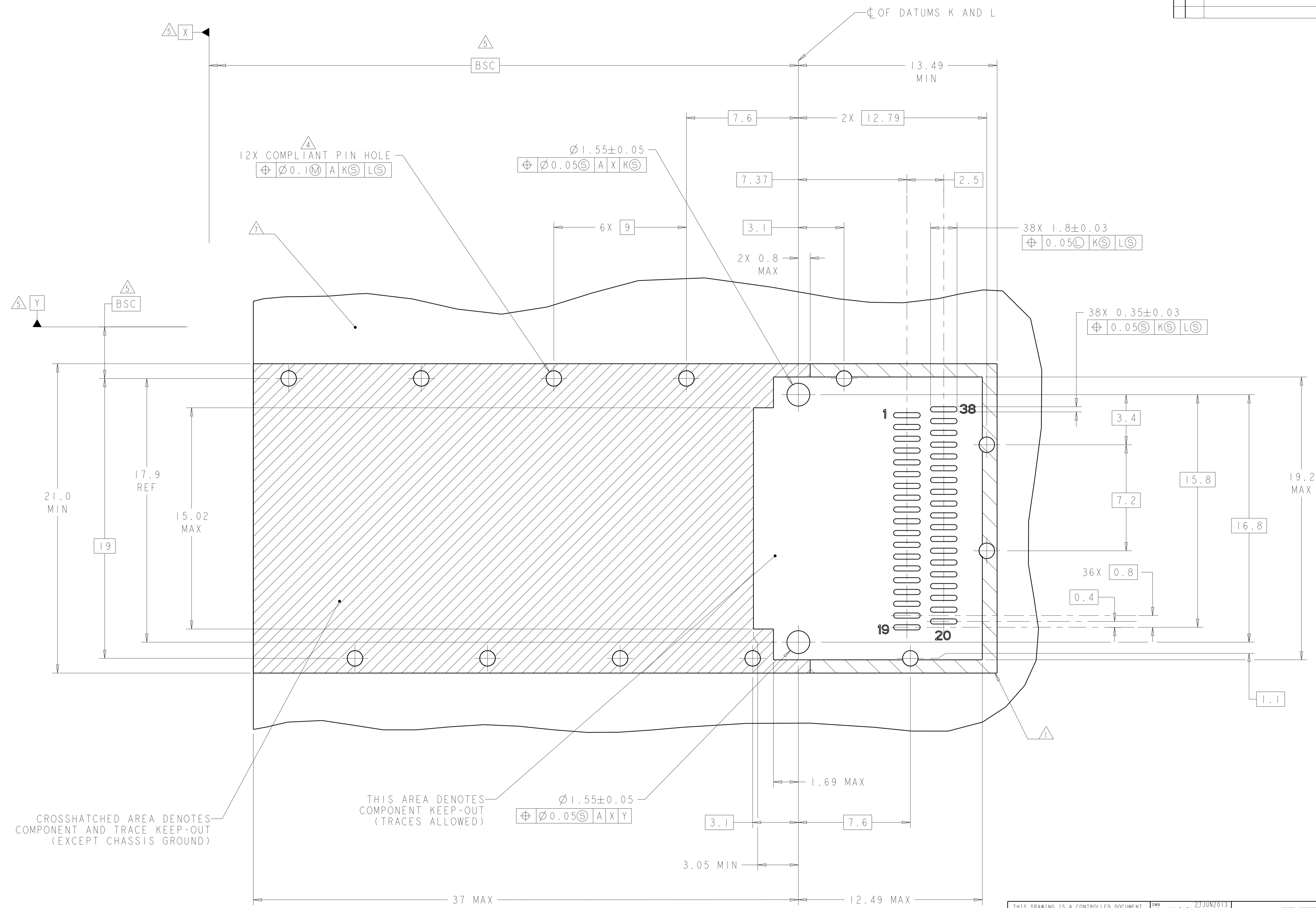


BELLY TO BELLY CONFIGURATION  
 SIMILAR TO ONE SIDED EXCEPT  
 WHERE NOTED

THIS PRINT IS  
**PRELIMINARY**  
 UNQUALIFIED PRODUCT  
 CONTACT PRODUCT ENGINEERING  
 BEFORE USING THIS PRINT

THIS DRAWING IS A CONTROLLED DOCUMENT. DIMENSIONING AND TOLERANCING PER ASME Y14.5M-2009.		DMN C. VALENTINE 27JUN2013	NAME CAGE ASSEMBLY, BEHIND BEZEL, CONDUCTIVE GASKET, ZQSFP
DIMENSIONS:	TOLERANCES UNLESS OTHERWISE SPECIFIED:	CHK E. BRIANT 27JUN2013	PRODUCT SPEC
mm	0 PLC ±0.13 1 PLC ±0.13 2 PLC ±0.13 3 PLC ±0.13 4 PLC ±0.13	APVD E. BRIANT 27JUN2013	APPLICATION SPEC
MATERIAL		FINISH	RESTRICTED TO
CUSTOMER DRAWING		SCALE 5:1	SHEET 2 OF 4

LOC		DIST		REVISIONS			
GP	00	P	LTN	DESCRIPTION	DATE	DMN	APVD
		-		SEE SHEET 1			



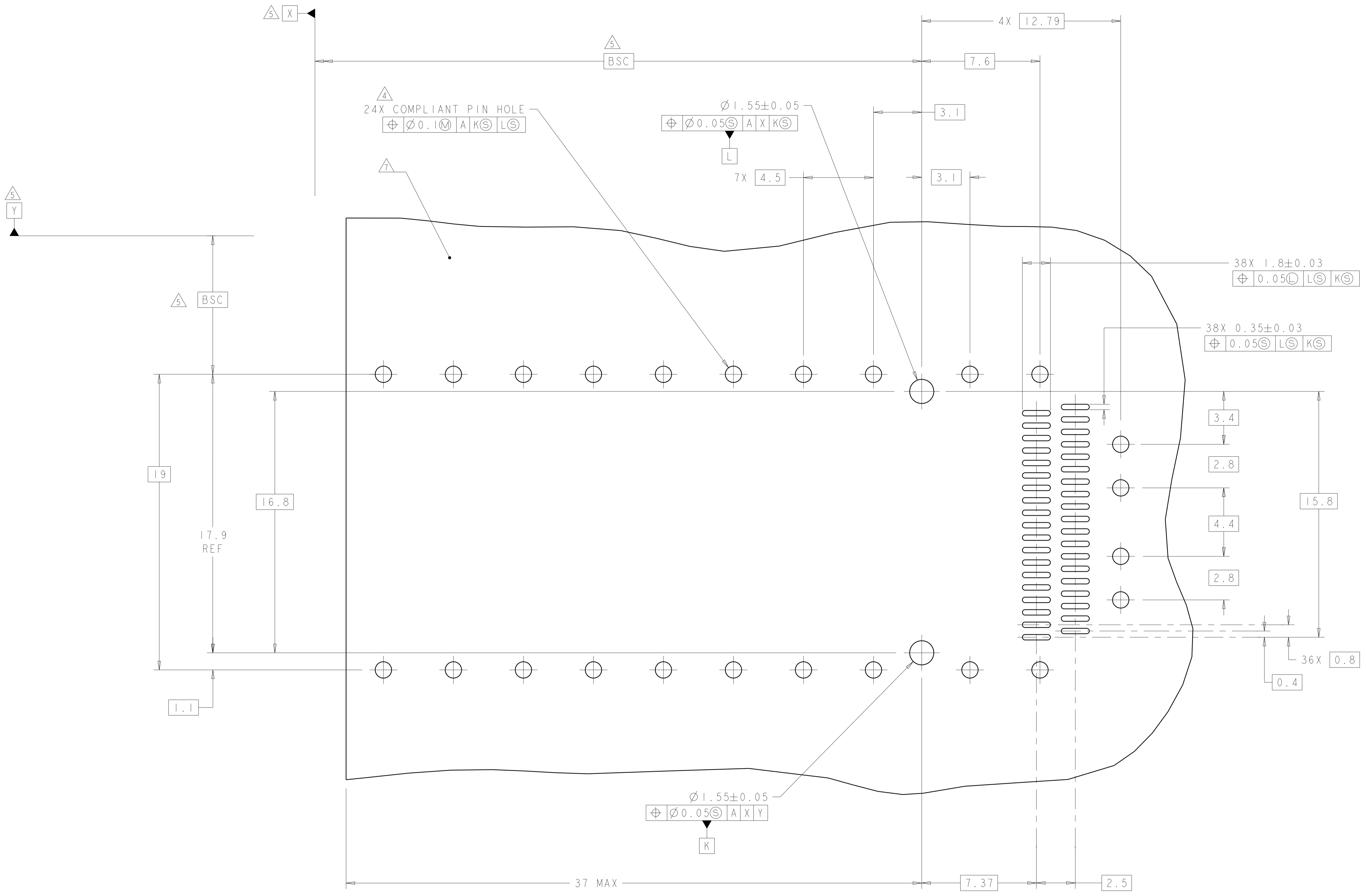
CROSSHATCHED AREA DENOTES COMPONENT AND TRACE KEEP-OUT (EXCEPT CHASSIS GROUND)

THIS AREA DENOTES COMPONENT KEEP-OUT (TRACES ALLOWED)

RECOMMENDED SINGLE-SIDE PC BOARD LAYOUT  
 SCALE 8:1

THIS DRAWING IS A CONTROLLED DOCUMENT. DIMENSIONING AND TOLERANCING PER ASME Y14.5M-2009		DMN C. VALENTINE 27JUN2013	TE Connectivity NAME CAGE ASSEMBLY, BEHIND BEZEL, CONDUCTIVE GASKET, ZQSFP
DIMENSIONS: mm		CHK E. BRIANT 27JUN2013	
TOLERANCES UNLESS OTHERWISE SPECIFIED:		APVD E. BRIANT 27JUN2013	PRODUCT SPEC
0 PLC ±0.13			APPLICATION SPEC
1 PLC ±0.13			SIZE CAGE CODE DRAWING NO
2 PLC ±0.13			A100779C=2274085
3 PLC ±0.13			RESTRICTED TO
4 PLC ±0.13			
ANGLES ±0.13			
MATERIAL FINISH		WEIGHT	
		CUSTOMER DRAWING	SCALE 5:1 SHEET 3 OF 4 REV 1

LOC		DIST		REVISIONS			
P	LTN	DESCRIPTION	DATE	DMN	APVD		
-	-	SEE SHEET 1	-	-	-	-	-



RECOMMENDED PCB LAYOUT  
 BELLY TO BELLY CONFIGURATION  
 SEE SHEET 3 FOR KEEP OUT AREAS  
 SCALE 8:1

THIS DRAWING IS A CONTROLLED DOCUMENT. DIMENSIONING AND TOLERANCING PER ASME Y14.5M-2009		DMN: C. VALENTINE 27JUN2013 CHK: E. BRIANT 27JUN2013 APVD: E. BRIANT 27JUN2013	NAME: CAGE ASSEMBLY, BEHIND BEZEL, CONDUCTIVE GASKET, ZOSFP
DIMENSIONS: mm	TOLERANCES UNLESS OTHERWISE SPECIFIED:	PRODUCT SPEC	SIZE: A100779C=2274085
0 PLC ±0.13 1 PLC ±0.13 2 PLC ±0.13 3 PLC ±0.13 4 PLC ±0.13 ANGLES ±0.13	FINISH	APPLICATION SPEC	RESTRICTED TO
MATERIAL		WEIGHT	SCALE 5:1 SHEET 4 OF 4 REV
CUSTOMER DRAWING			