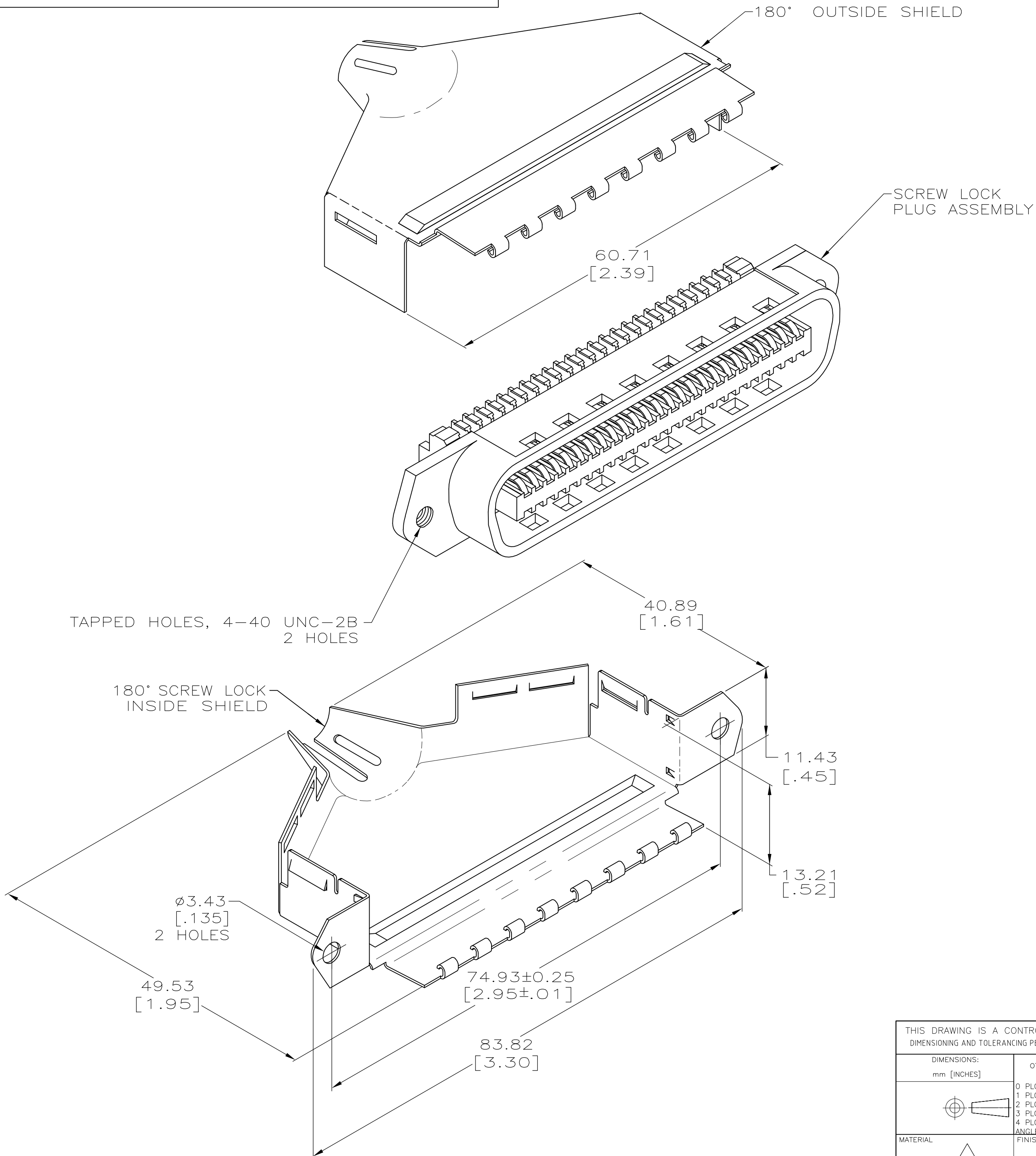


THIS DRAWING IS UNPUBLISHED. RELEASED FOR PUBLICATION  
 © COPYRIGHT - By - ALL RIGHTS RESERVED.

LOC	DIST	REVISIONS					
GP	00	P	LTR	DESCRIPTION	DATE	DWN	APVD
		A		RELEASED	06JUN2013	CJV	PAR



- THIS KIT SHIPPED NOT ASSEMBLED.
- MATERIAL:**  
 SHIELDS - BRIGHT NICKEL PLATED CARBON STEEL.  
 PLUG HOUSING - POLYPHENYLENE OXIDE, BLACK.  
 TERMINAL - HIGH STRENGTH COPPER ALLOY PLATED WITH 0.76µm [.000030] MIN GOLD ON MATING SURFACE. 1.27µm [.000050] MIN NICKEL UNDERPLATE OVER ENTIRE TERMINAL.
- CABLE RANGE:  $\phi$ 8.89-15.88 [.350-.625].
- CENTER-TO-CENTER SPACING OF TERMINALS 2.16 [.085] NOMINAL.
- WIRE SIZE: 24 OR 26 AWG SOLID OR 24 AWG 7 STRANDS OF COPPER CONDUCTORS. MAXIMUM INSULATION DIAMETER OF 1.14 [.045] IS ACCEPTABLE FOR MOST APPLICATIONS.
- DIMENSIONS ARE MAXIMUM UNLESS OTHERWISE SPECIFIED.
- PACKAGED 1 KIT PER POLYBAG.

B	2274027-1
SLOT SIZE	PART NUMBER

THIS DRAWING IS A CONTROLLED DOCUMENT. DIMENSIONING AND TOLERANCING PER ASME Y14.5M-2009		DWN C. VALENTINE 06JUN2013	TE Connectivity	
DIMENSIONS: mm [INCHES]		CHK P. RECCE 06JUN2013	NAME PLUG KIT, 50 POSITION, SCREW LOCK, WITH 4-40 HOLES, SHIELDED CHAMP	
TOLERANCES UNLESS OTHERWISE SPECIFIED:		APVD P. RECCE 06JUN2013	PRODUCT SPEC	
0 PLC ± -		APPLICATION SPEC		
1 PLC ± -		WEIGHT		
2 PLC ± -		SCALE		
3 PLC ± -		SHEET		
4 PLC ± -		REV		
ANGLES ± -		CUSTOMER DRAWING		
FINISH		SCALE 2:1 SHEET 1 of 1 REV A		