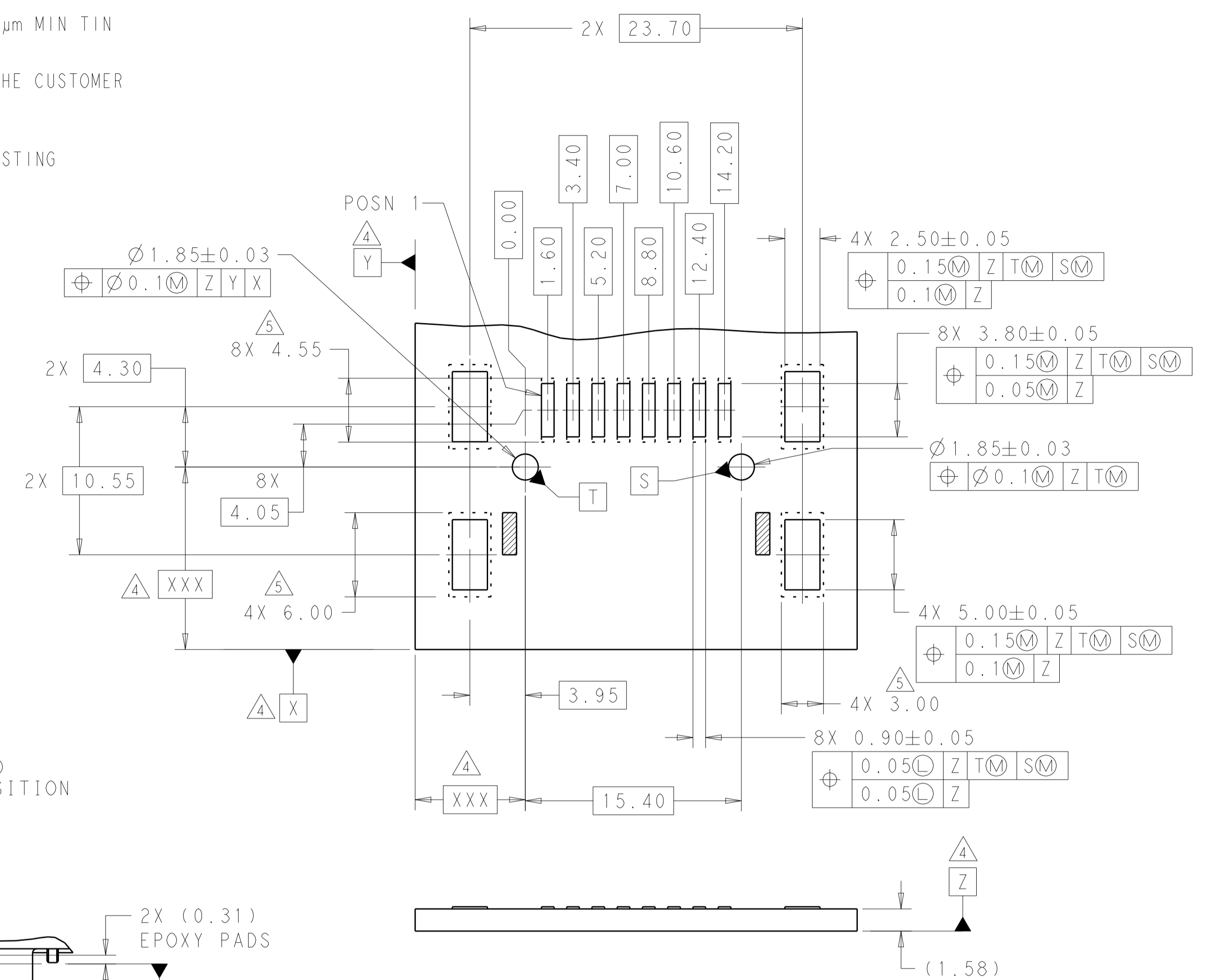
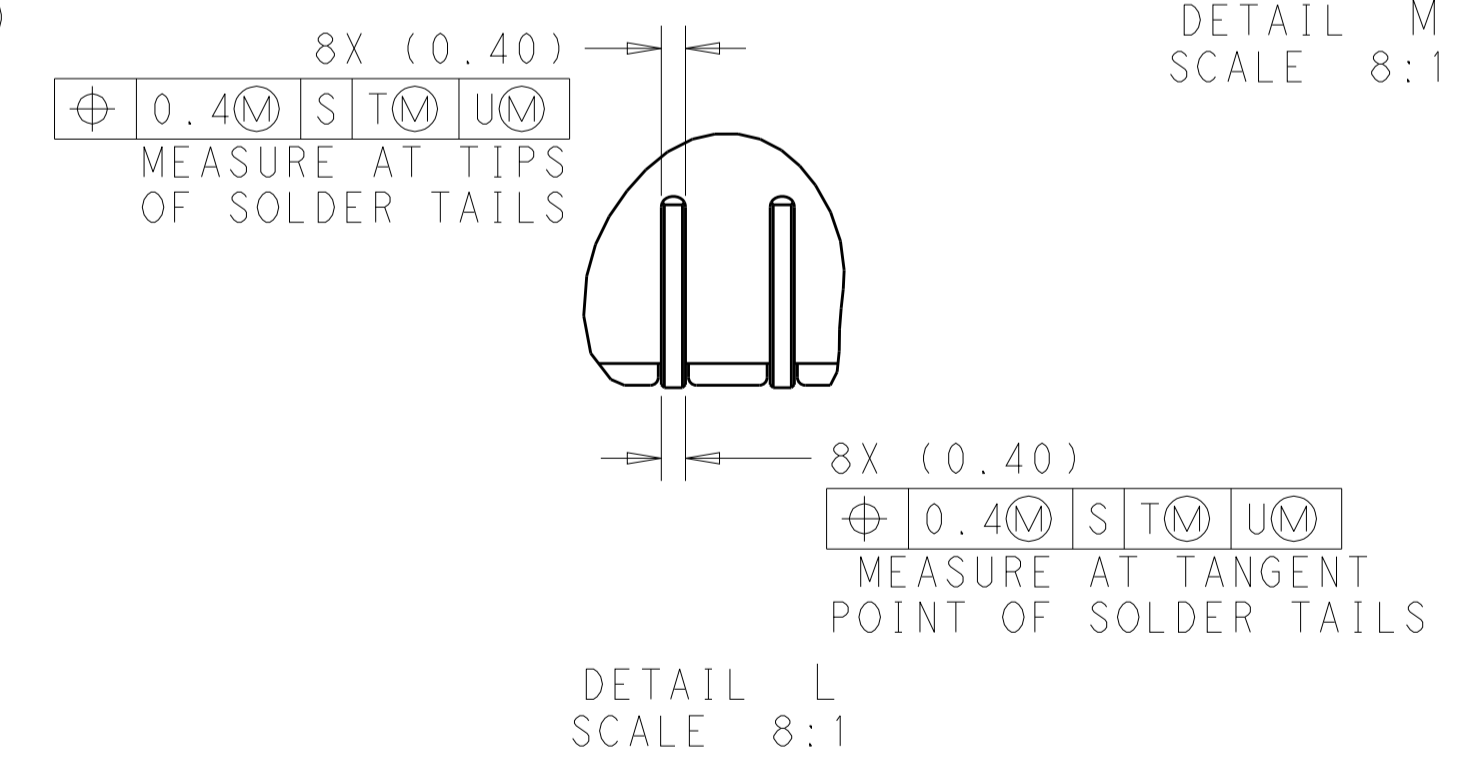
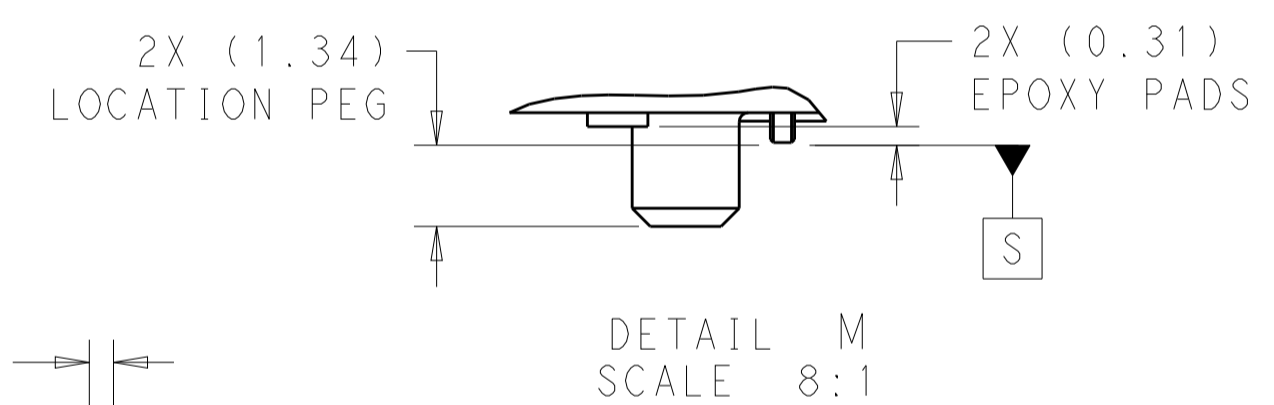
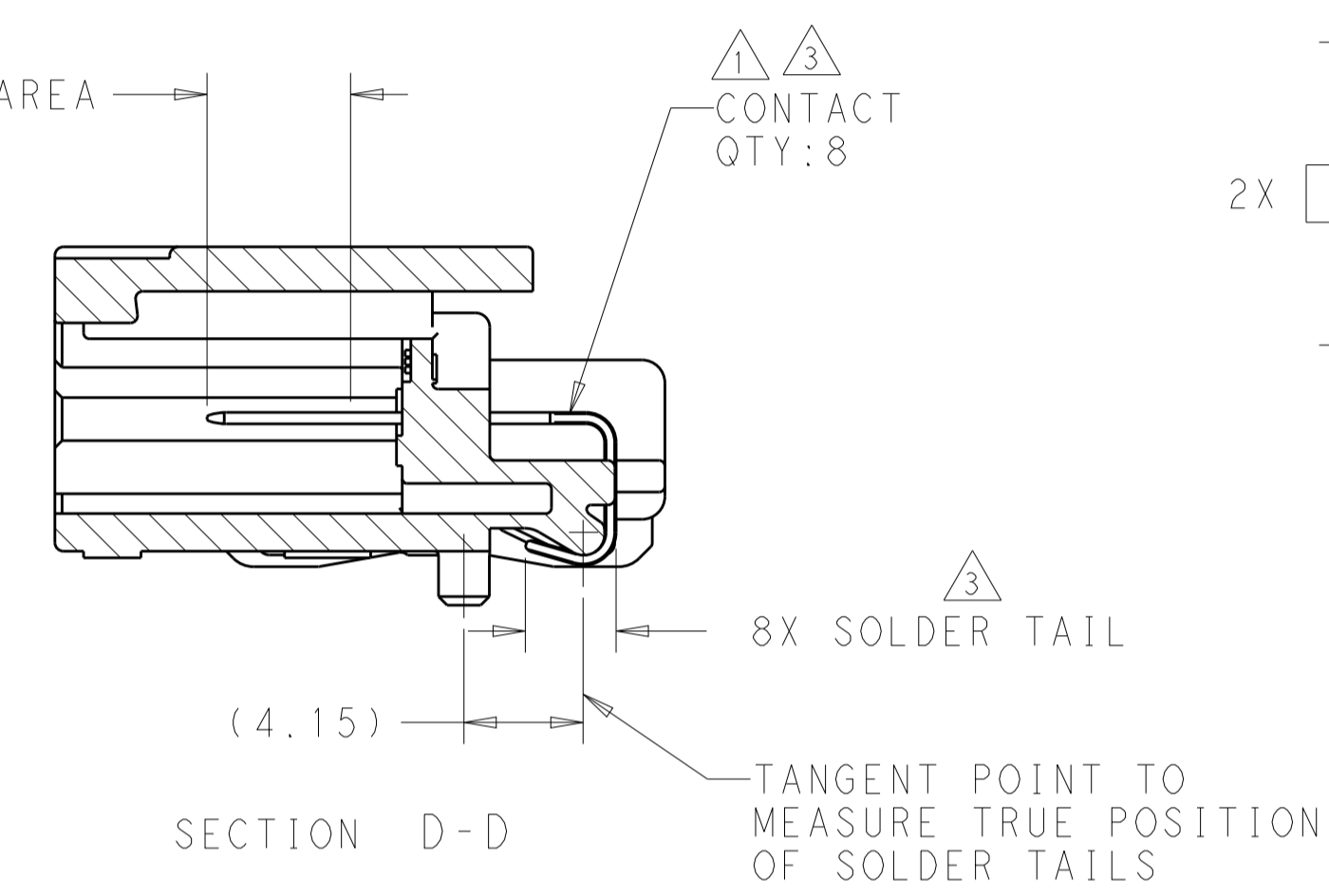
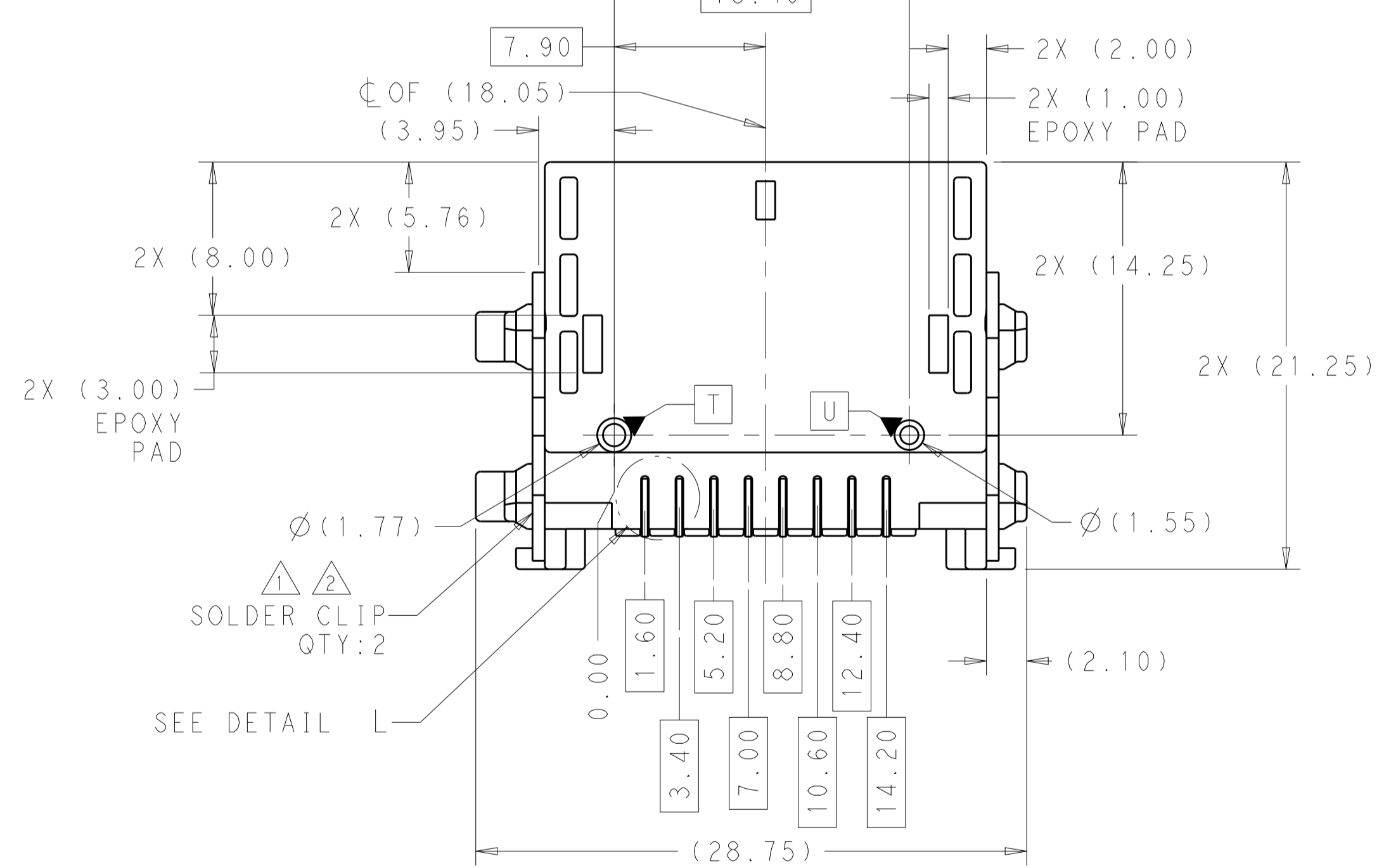
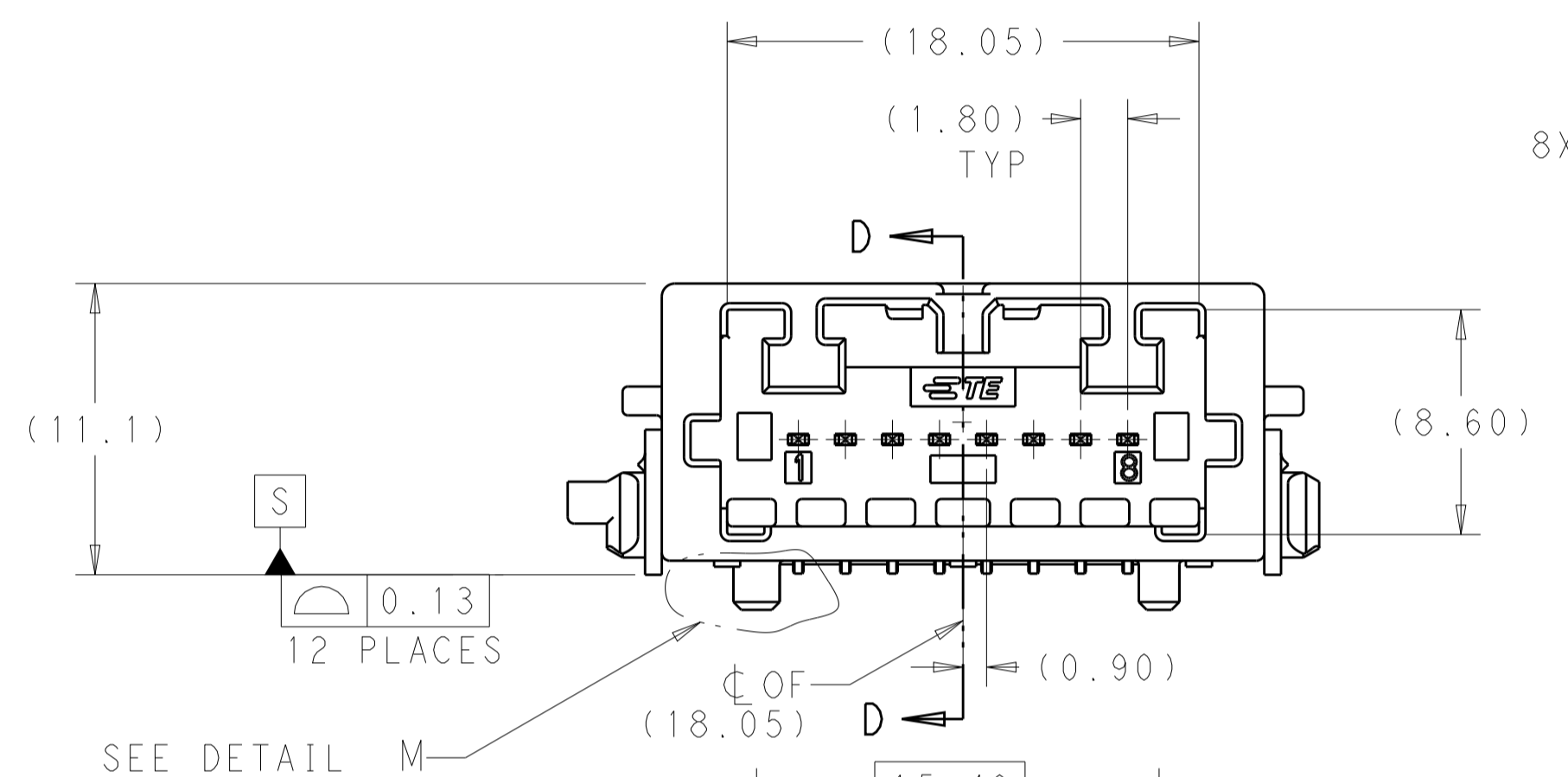
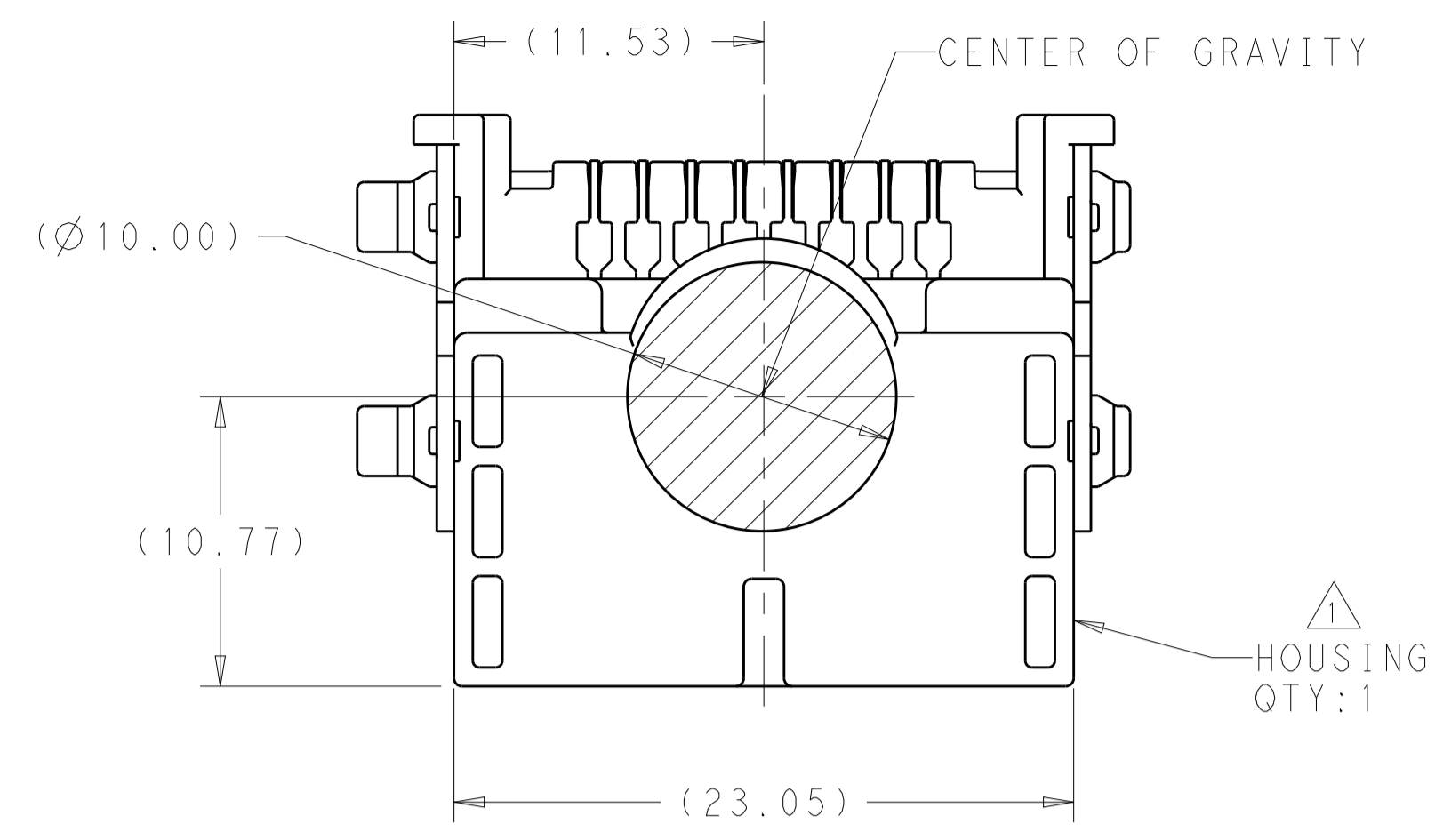


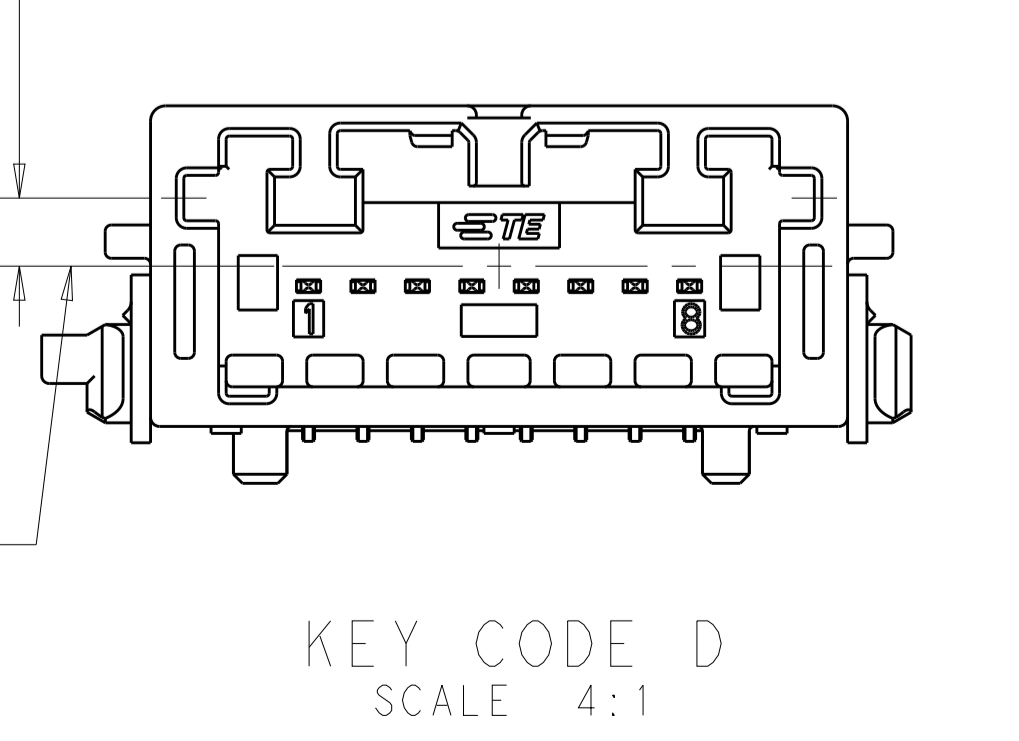
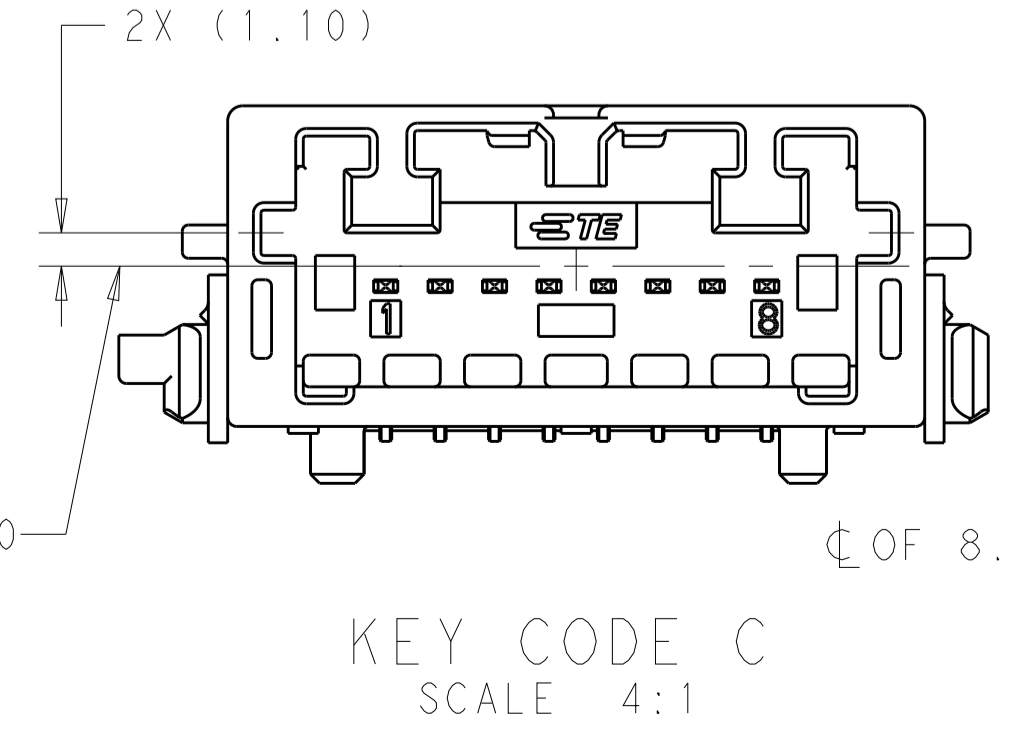
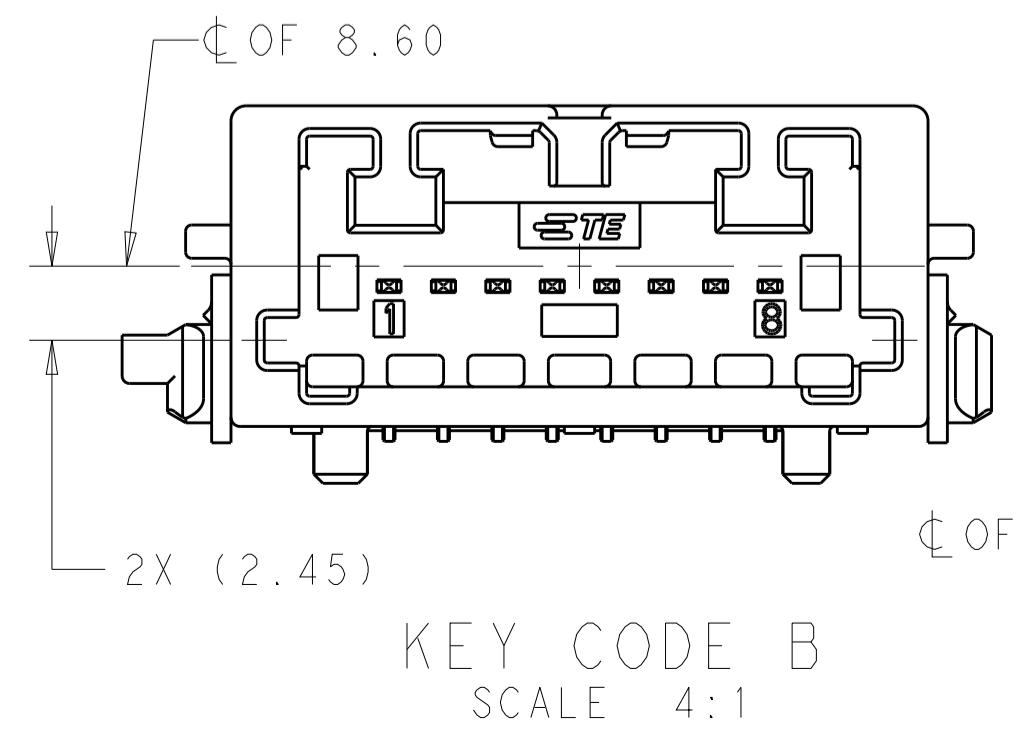
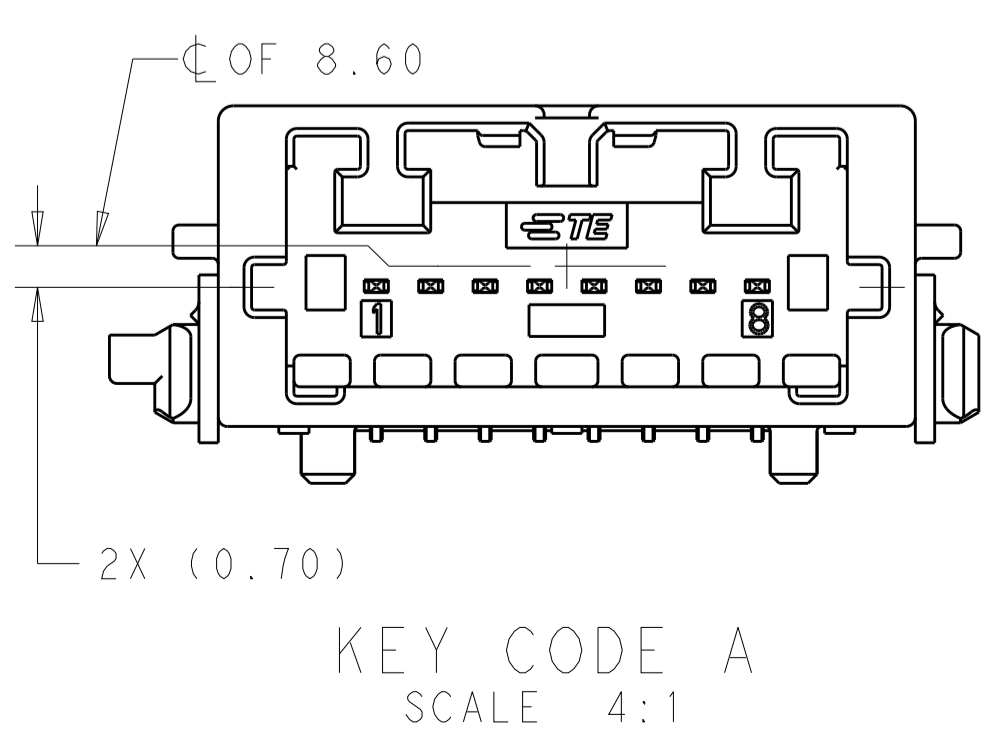
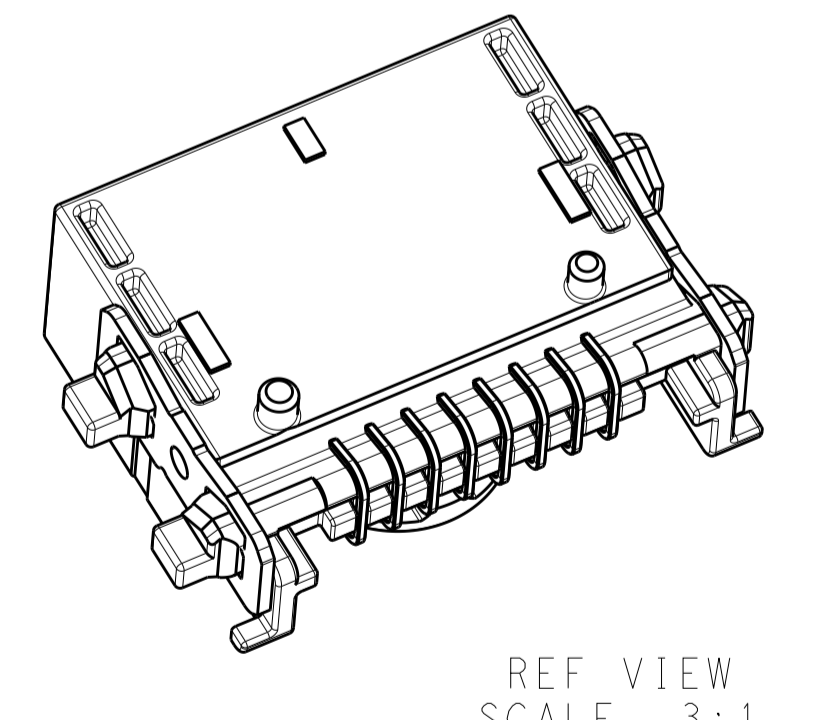
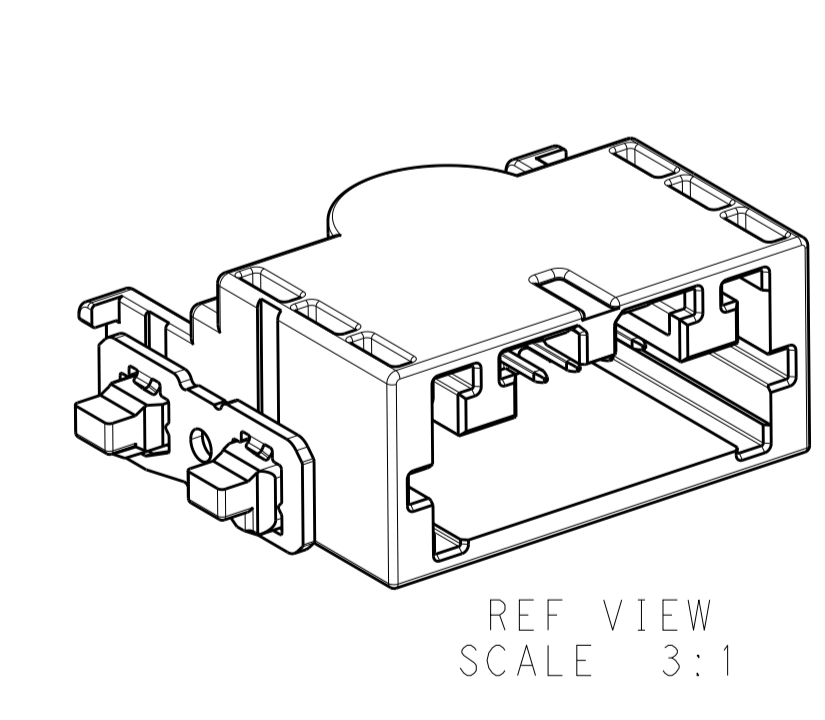
LOC		DIST		REVISIONS			
IN	00	P	LTN	DESCRIPTION	DATE	DMN	APVD
		3		REV PER ECO-14-018781	15DEC2014	HM	DF
		4		REV PER ECO-16-010492	19JUL2016	HM	DF

**PRELIMINARY**  
 NOT RELEASED FOR PRODUCTION

- 1 HOUSING: PCT, COLOR - BLACK  
 CONTACTS: BRASS  
 SOLDER CLIP: BRASS
- 2 SOLDER CLIP: 3.8µm MIN TIN OVER 1.27µm MIN NICKEL
- 3 CONTACT: 0.8µm MIN TIN IN MATING AREA AND 2.5µm MIN TIN IN SOLDER TAIL ALL OVER 2.00µm MIN NICKEL
- 4 DATUMS AND BASIC DIMENSIONS ESTABLISHED BY THE CUSTOMER
- 5 ALLOW FOR OVER PRINTING ON PC BOARD
- 6 THIS PRODUCT HAS NOT COMPLETED VALIDATION TESTING
- 7 PRELIMINARY - NOT FOR PRODUCTION



RECOMMENDED PC BOARD LAYOUT  
 CONNECTOR SIDE OF BOARD  
 SCALE 4:1



KEY CODE D	2272919-4
KEY CODE C	2272919-3
KEY CODE B	2272919-2
KEY CODE A	2272919-1
KEY CODE	PART NUMBER

THIS DRAWING IS A CONTROLLED DOCUMENT.		OWN: MOLL 23JUL2014	TE Connectivity
DIMENSIONS: mm		CHK: D. FRY 24JUL2014	NAME: HEADER ASSEMBLY, 1x8, 1.80 CENTERLINE, SMT, UNSEALED, GENERATION 50
TOLERANCES UNLESS OTHERWISE SPECIFIED:		APVD: D. FRY 24JUL2014	
0 PLC	±	PRODUCT SPEC	SIZE: CAGE CODE DRAWING NO. RESTRICTED TO
1 PLC	±0.10	APPLICATION SPEC	A100779C=2272919
2 PLC	±	WEIGHT: 3.6 g	SCALE: 4:1 SHEET 1 OF 1 REV 4
3 PLC	±	CUSTOMER DRAWING	
4 PLC	±		
ANGLES	#1		
MATERIAL:	FINISH:		