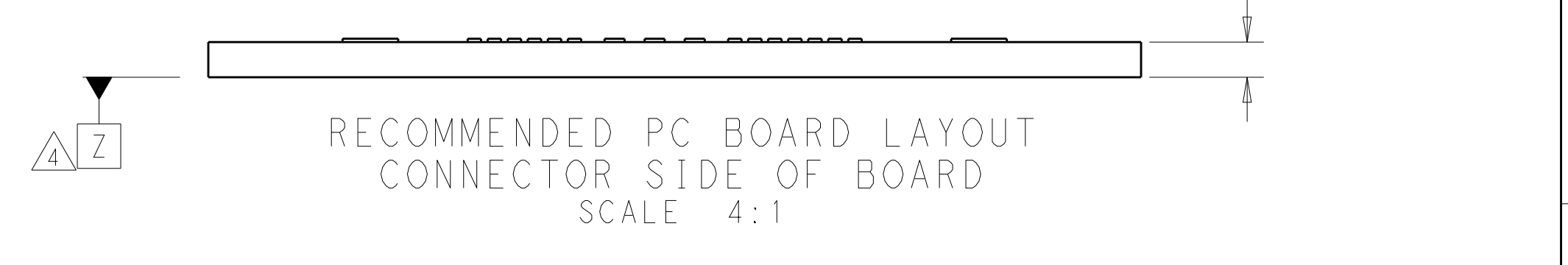
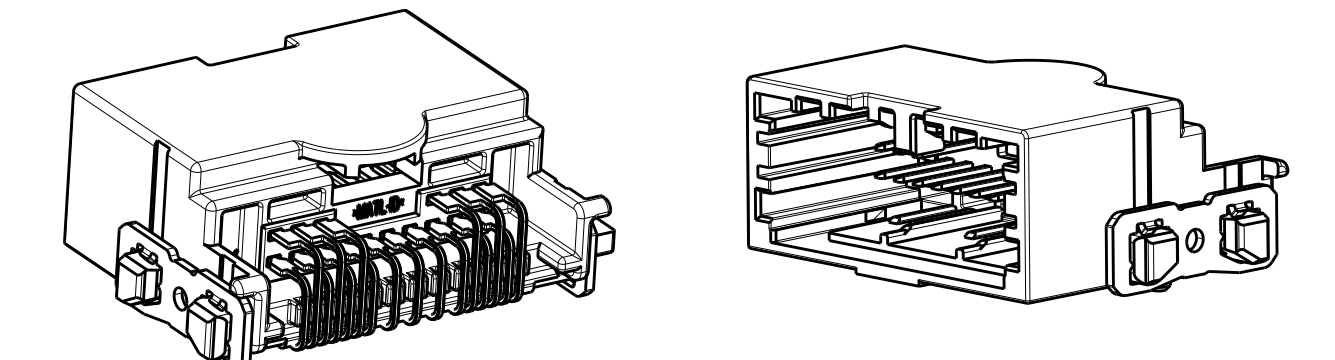
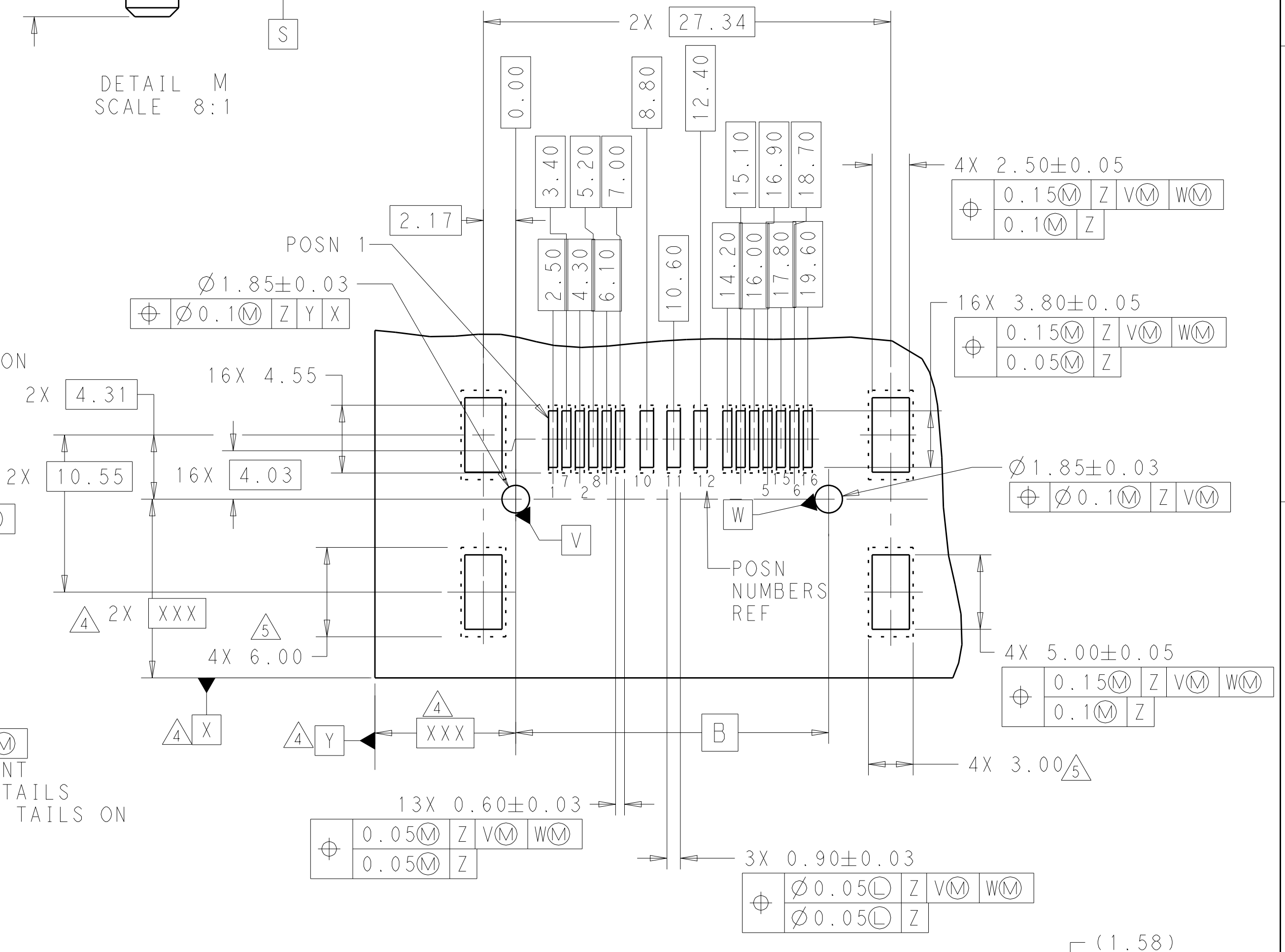
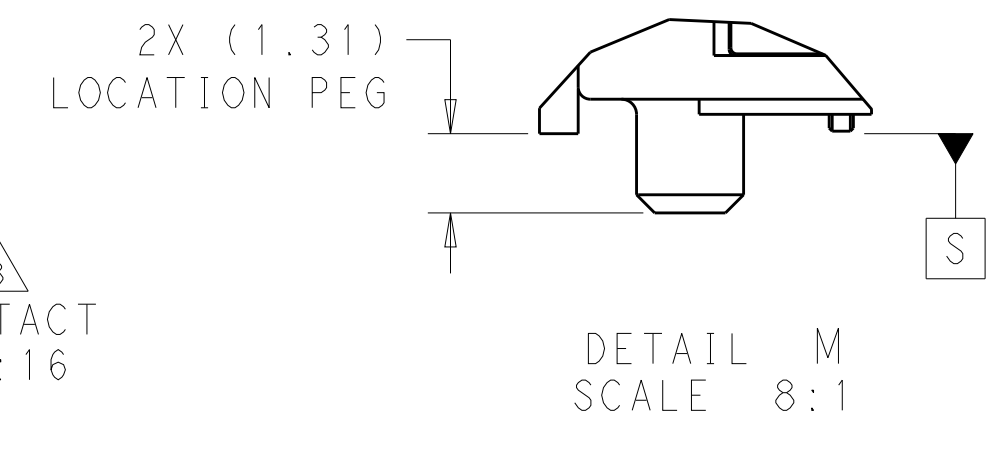
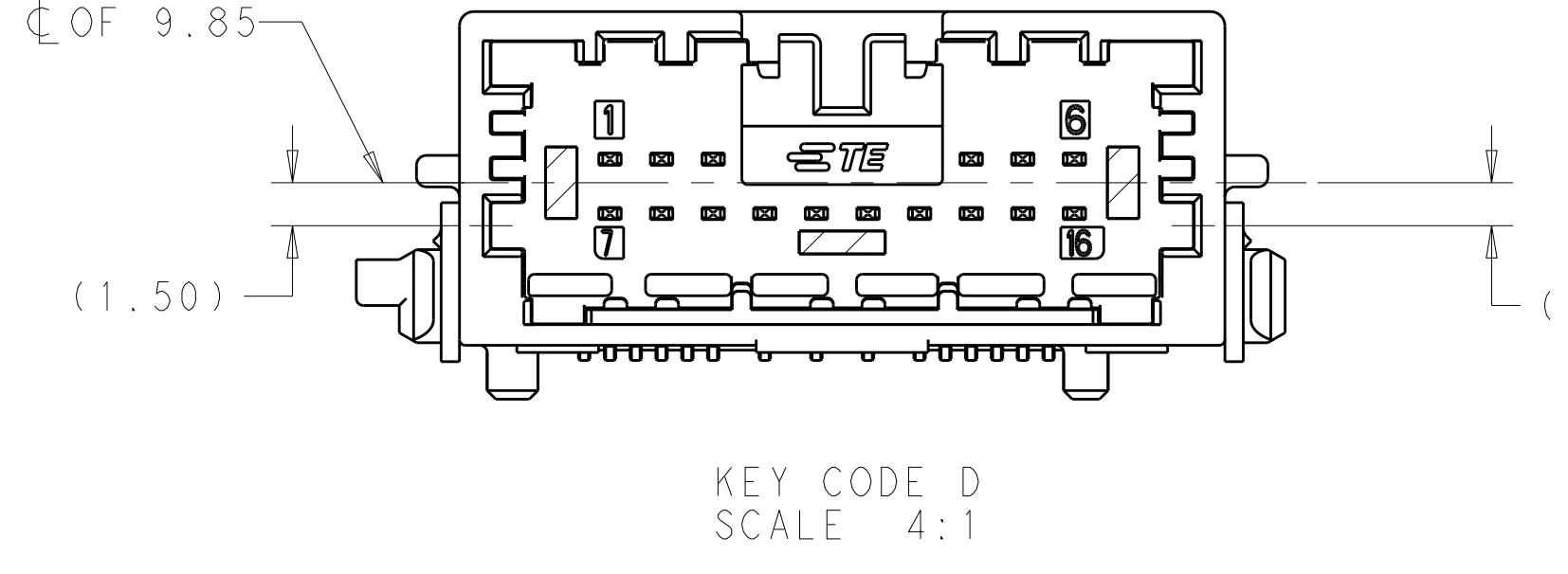
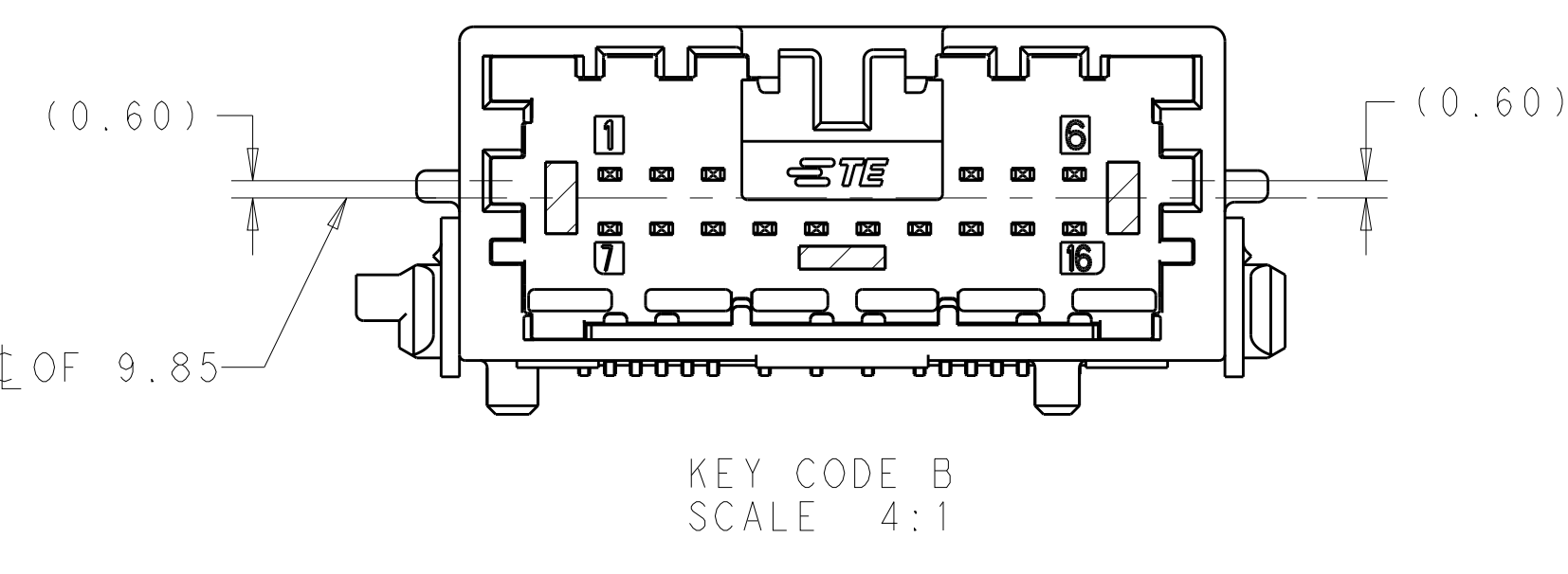
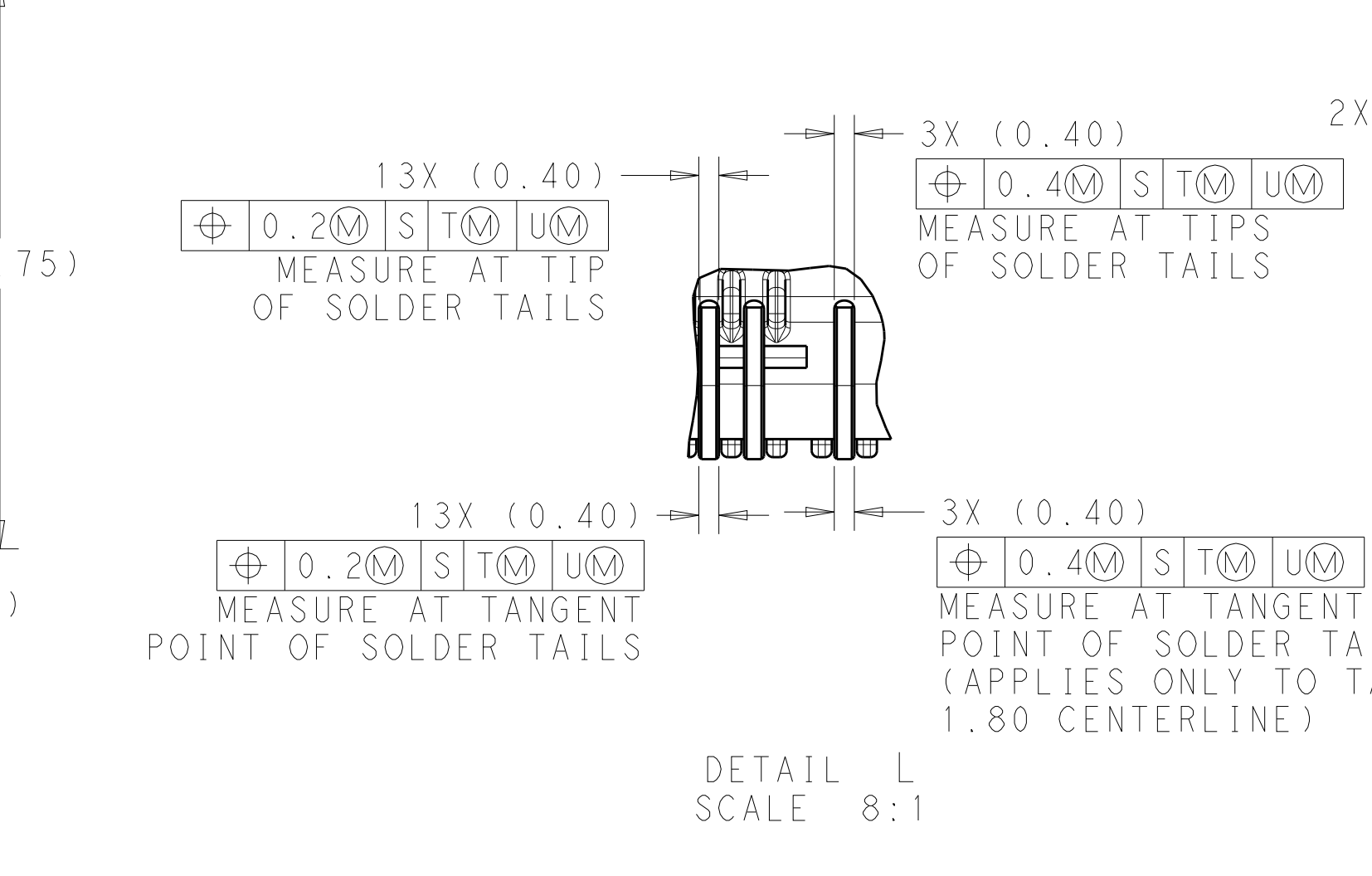
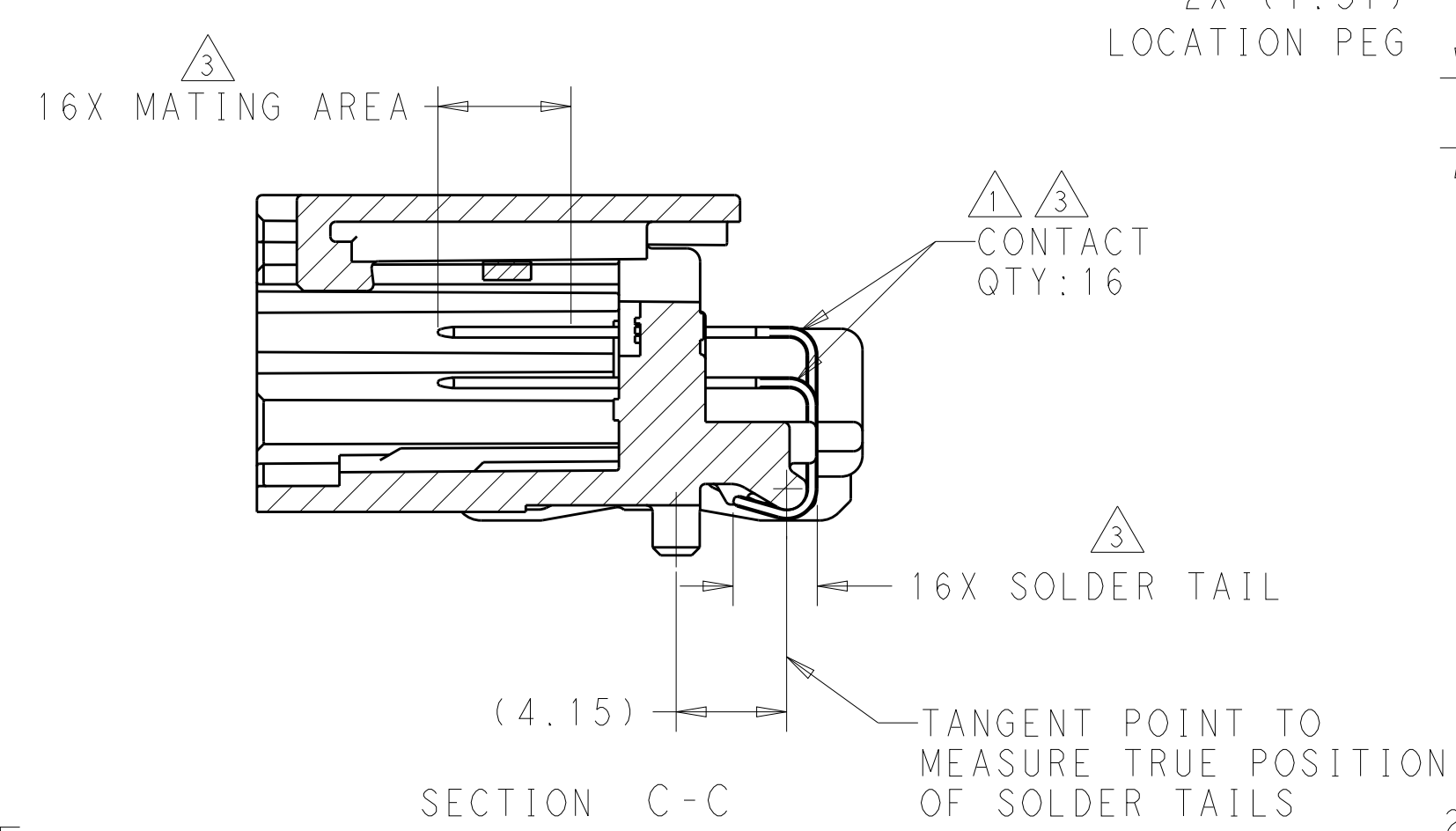
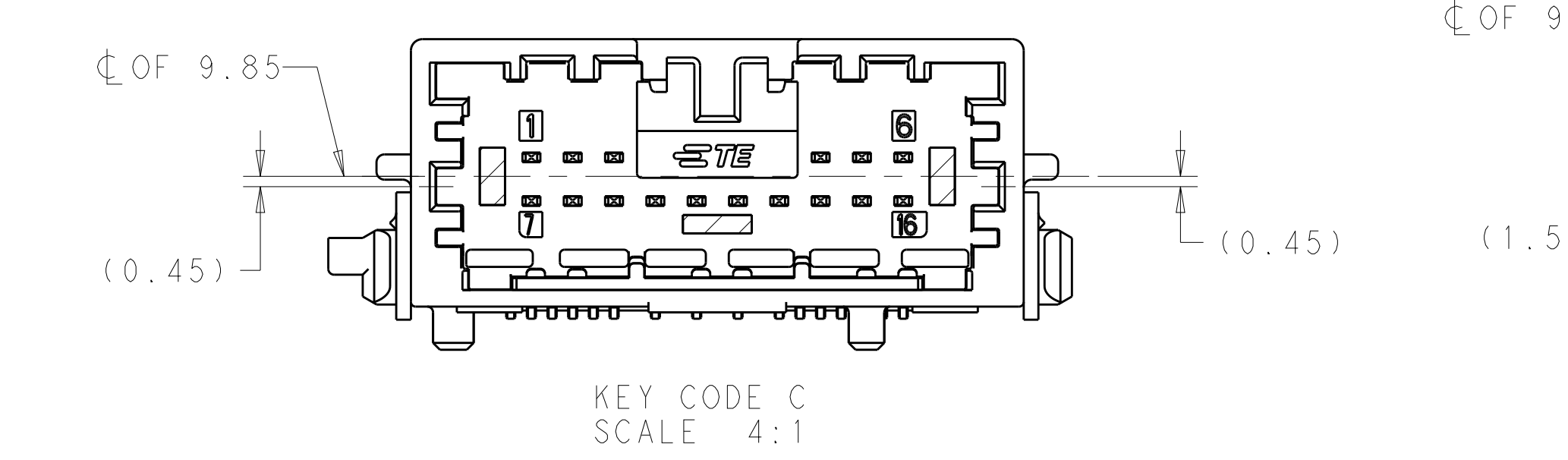
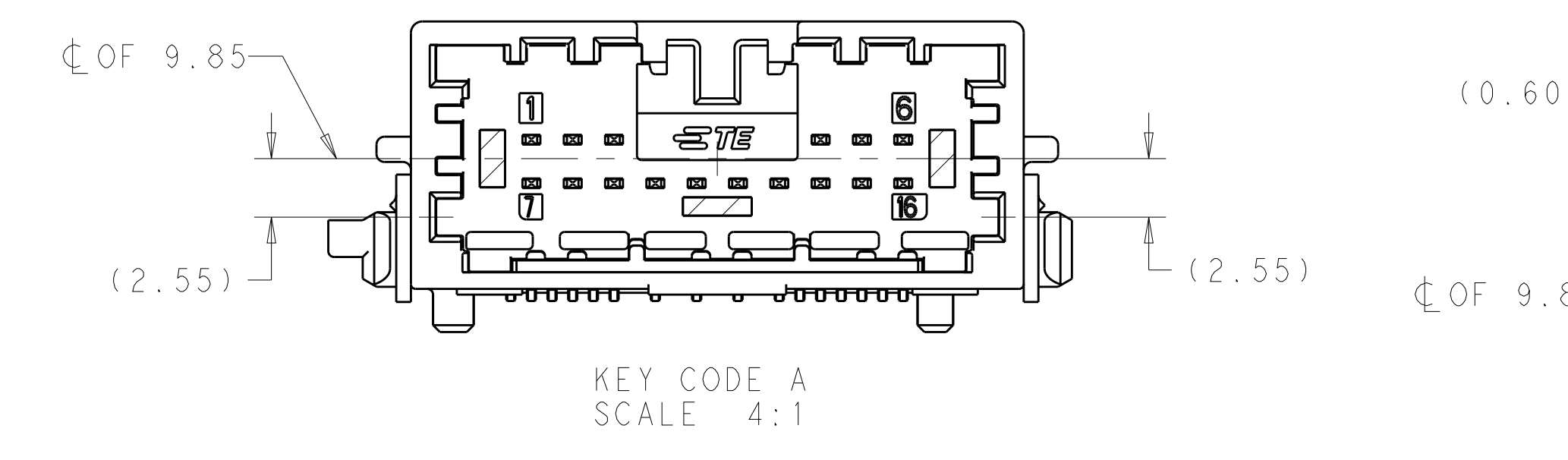
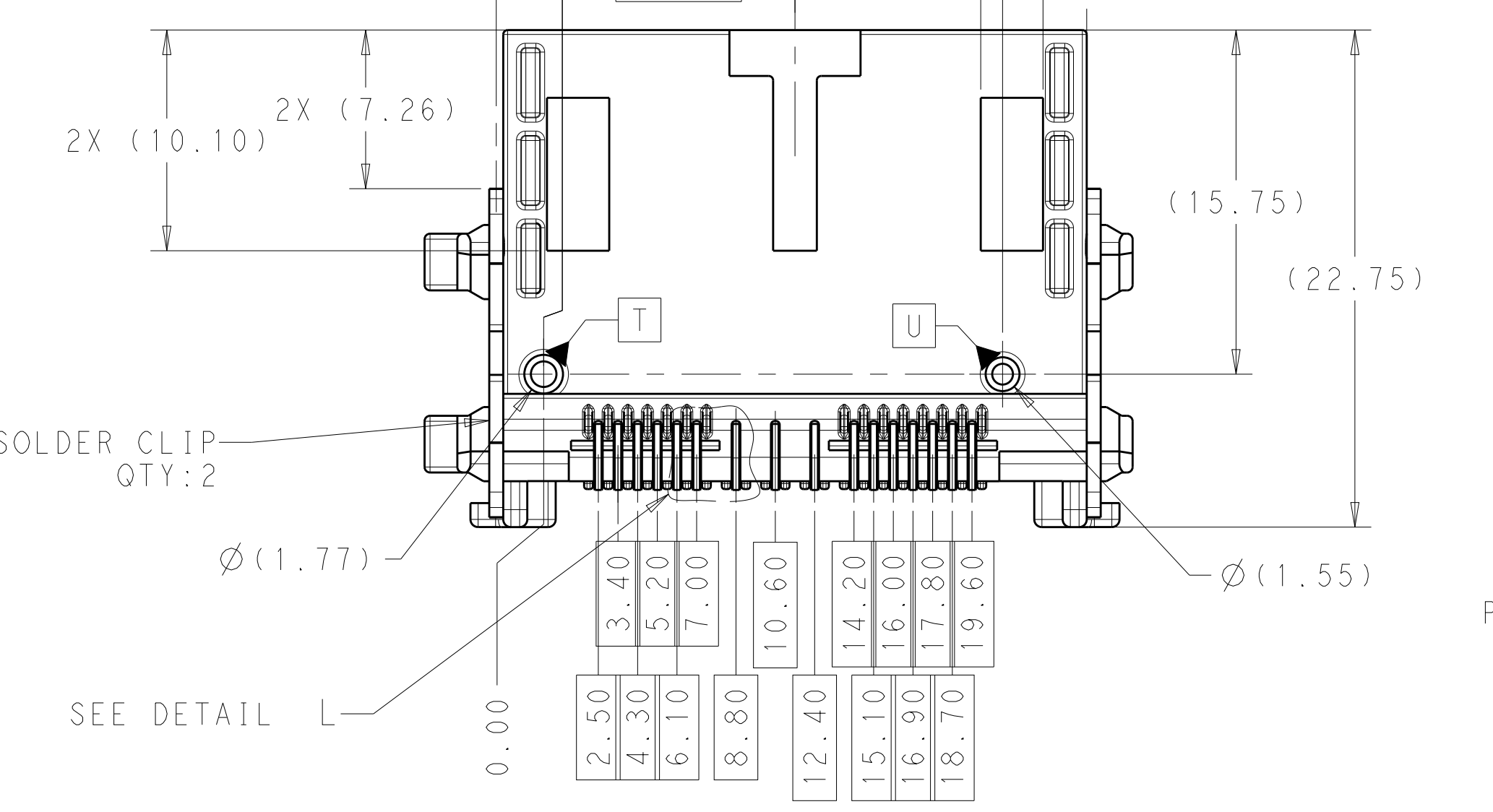
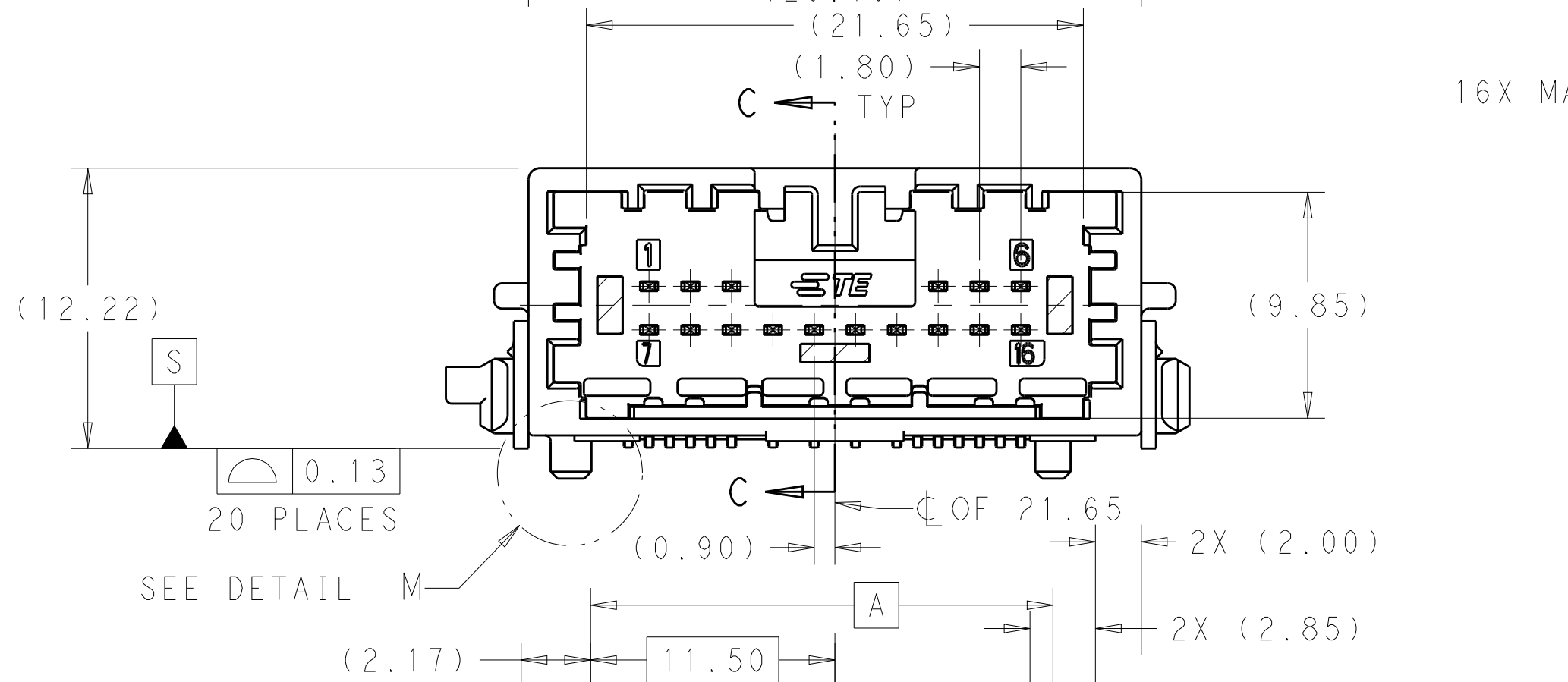
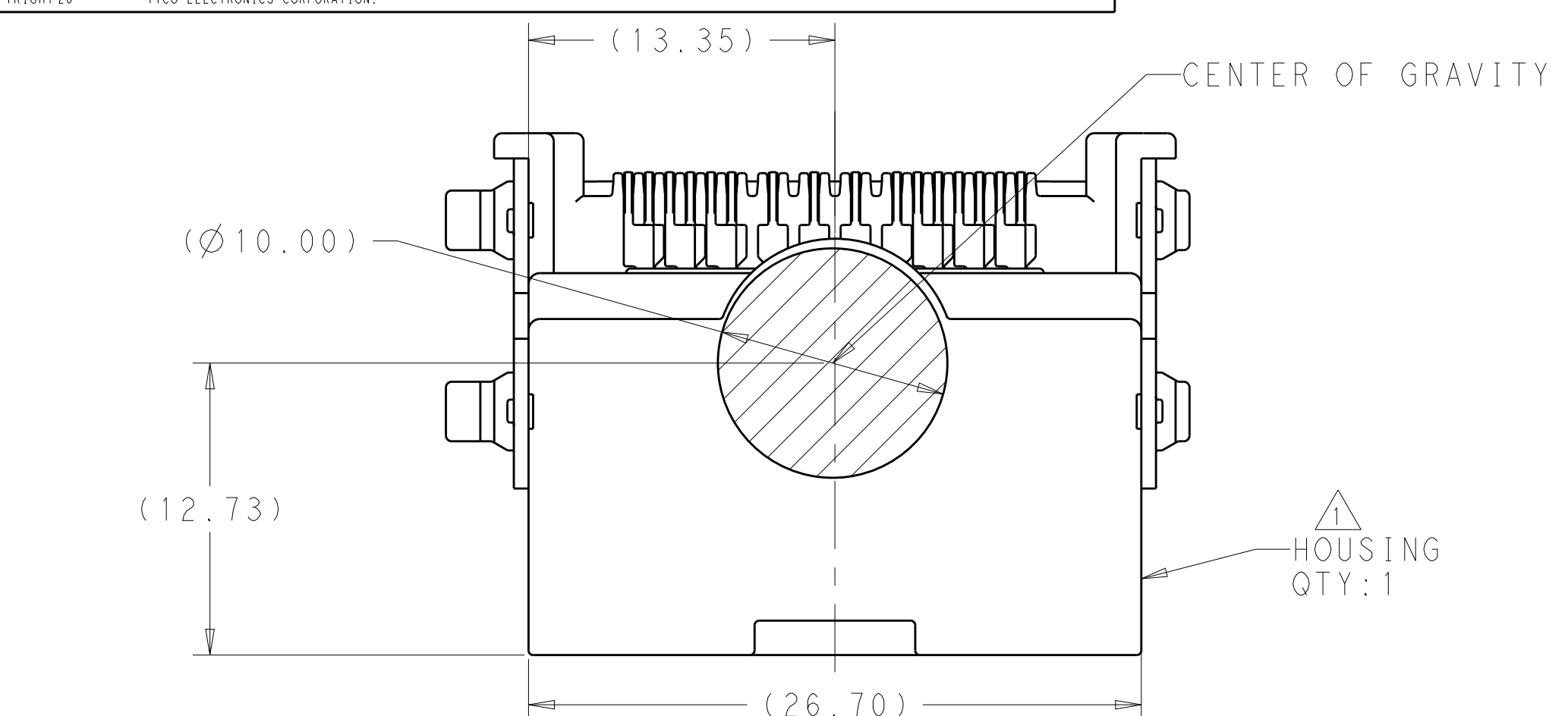


LOC		DIST		REVISIONS			
IN	00	P	LTN	DESCRIPTION	DATE	DWN	APVD
		4		REV PER ECO-15-008086	01JUN2015	HM	DF
		5		REV PER ECO-16-010491	18JUL2016	HM	DF
		6		REV PER ECR-XX-XXXXXX	01SEP2017	SS	DS
		7		ADDED 1.5mm TO SHROUD	15MAR2018	SS	DS

PRELIMINARY
NOT RELEASED FOR PRODUCTION

- △ HOUSING: PCT, COLOR - BLACK
- CONTACTS: BRASS
- SOLDER CLIP: BRASS
- △ SOLDER CLIP: 3.8µm MIN TIN OVER 1.27µm MIN NICKEL
- △ CONTACT: 0.8µm MIN TIN IN MATING AREA AND 2.5µm MIN TIN IN SOLDER TAIL ALL OVER 2.00µm MIN NICKEL
- △ DATUMS AND BASIC DIMENSIONS ESTABLISHED BY THE CUSTOMER
- △ ALLOW FOR OVER PRINTING ON PC BOARD
- 6. THIS PRODUCT HAS NOT COMPLETED VALIDATION TESTING
- 7. PRELIMINARY - NOT FOR PRODUCTION



KEY CODE	PART NUMBER
KEY CODE D	2272388-4
KEY CODE C	2272388-3
KEY CODE B	2272388-2
KEY CODE A	2272388-1

THIS DRAWING IS A CONTROLLED DOCUMENT. DWN: H. MOLL 07MAR2014. CHK: D. FRY 20JUN2014. APVD: D. FRY 20JUN2014.

STE TE Connectivity

NAME: HEADER ASSEMBLY, 16 POSN, 2 ROW, SMT, 1.80 CENTERLINE, UNSEALED, GENERATION 50

SIZE: A1 00779 C=2272388

WEIGHT: 4.4 g

CUSTOMER DRAWING

SCALE: 4:1 SHEET 1 OF 1 REV 7