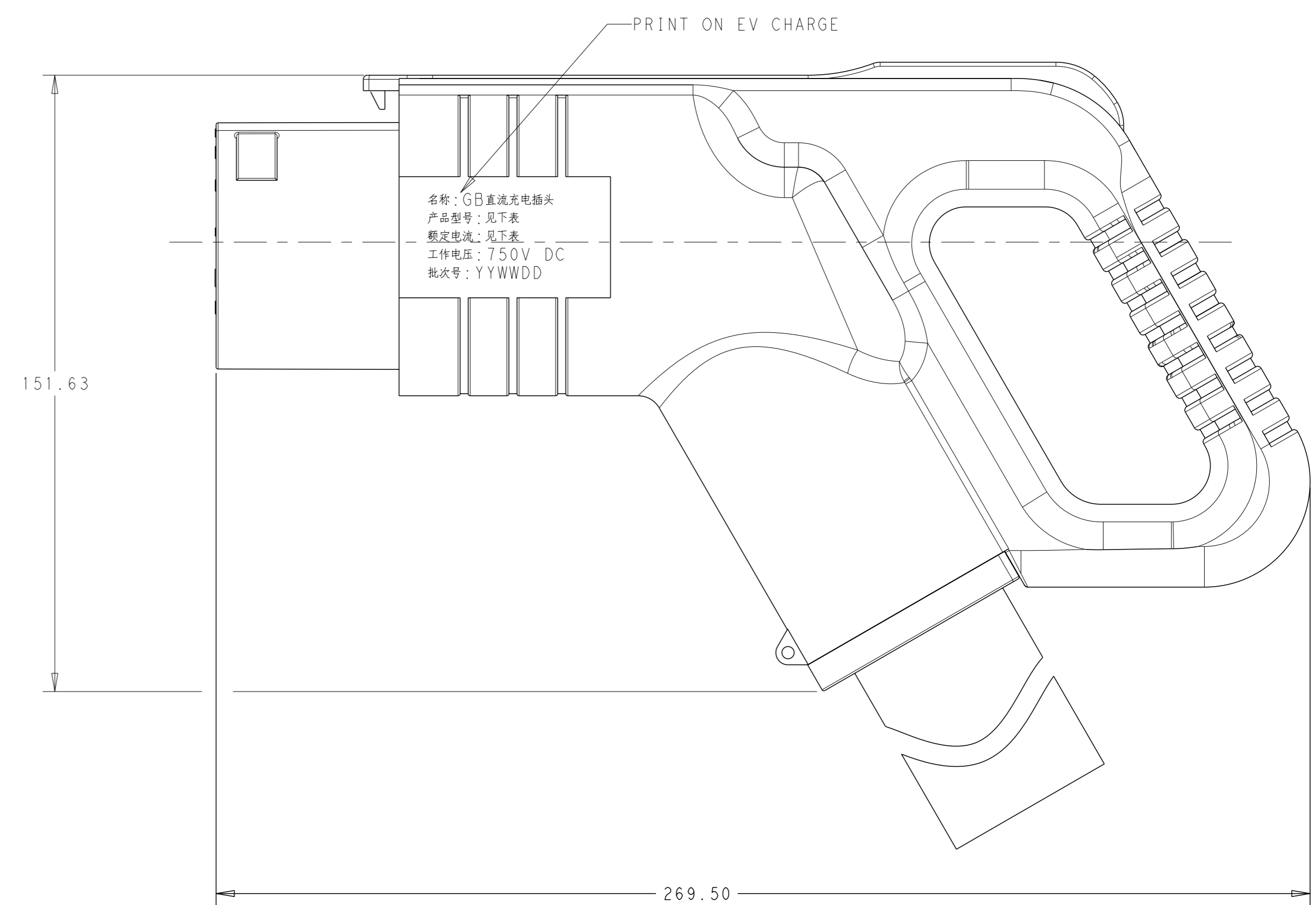
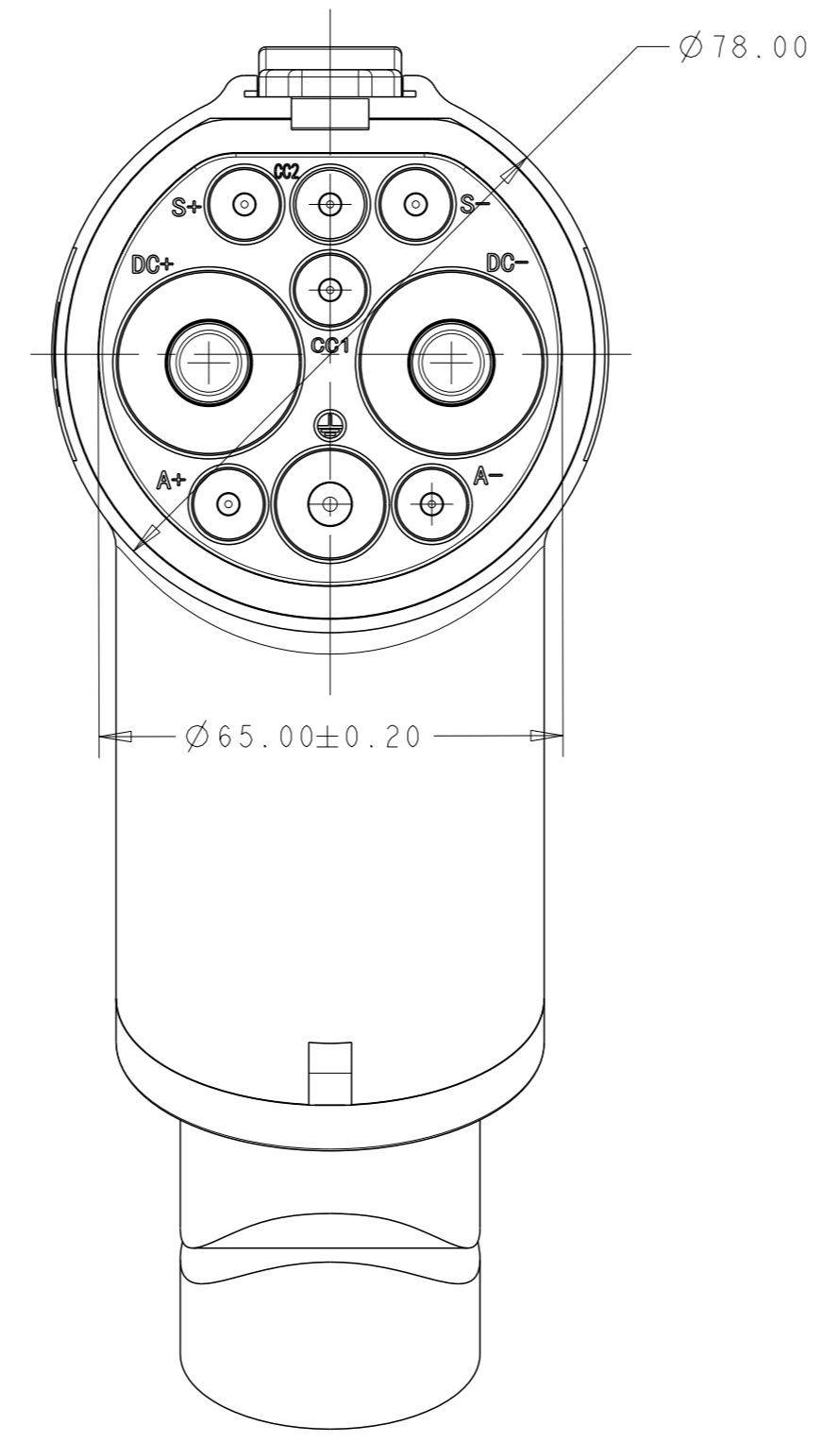
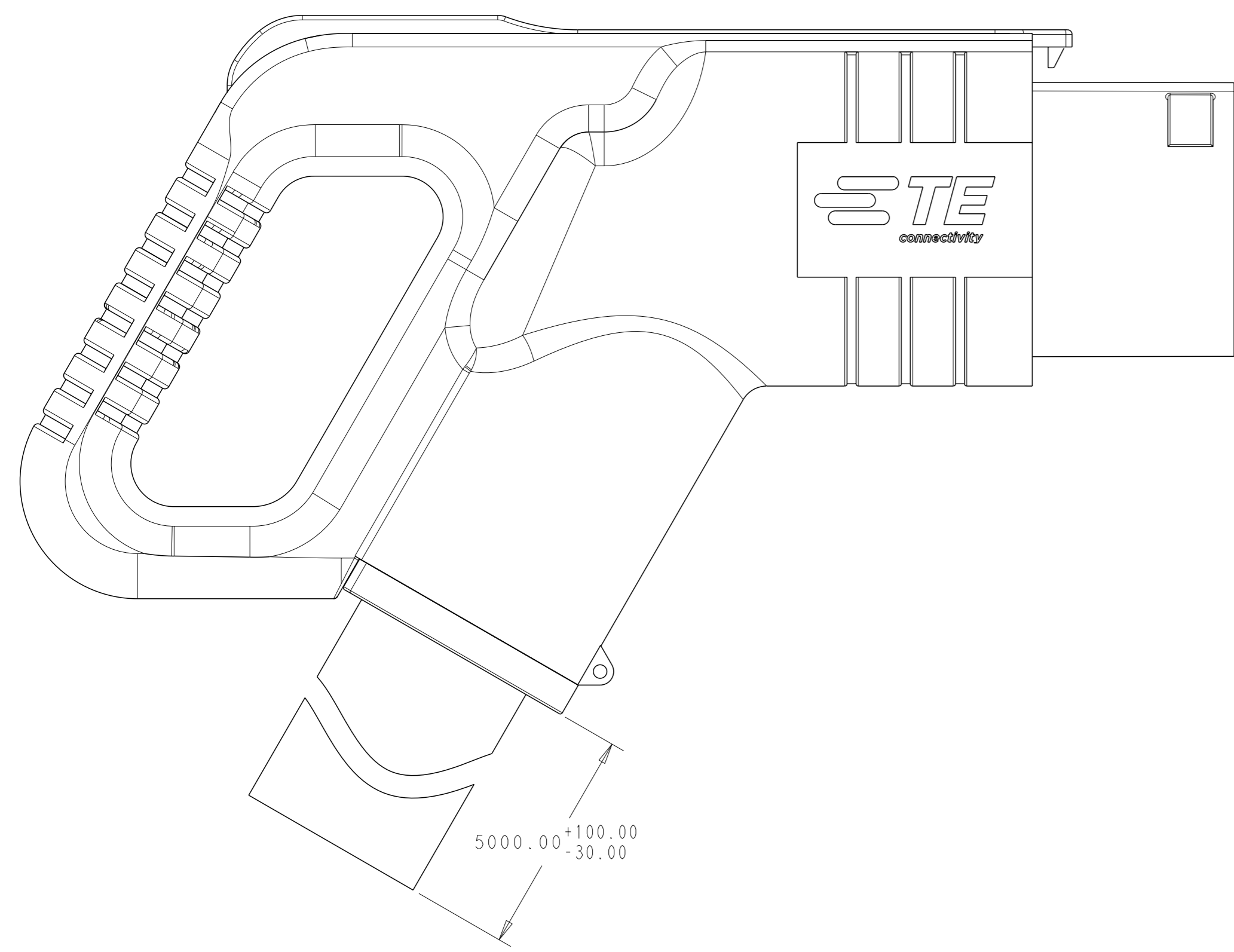
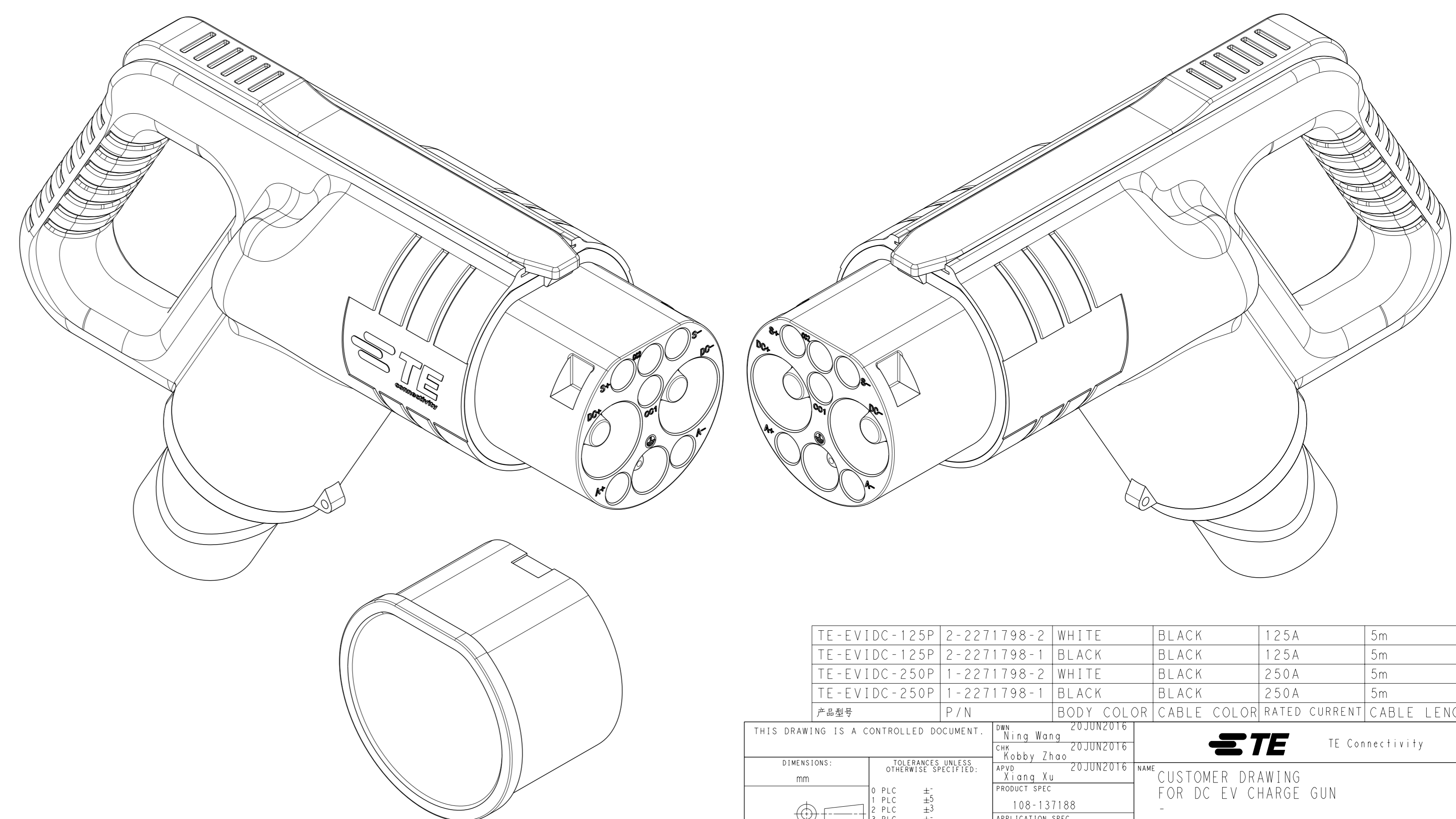
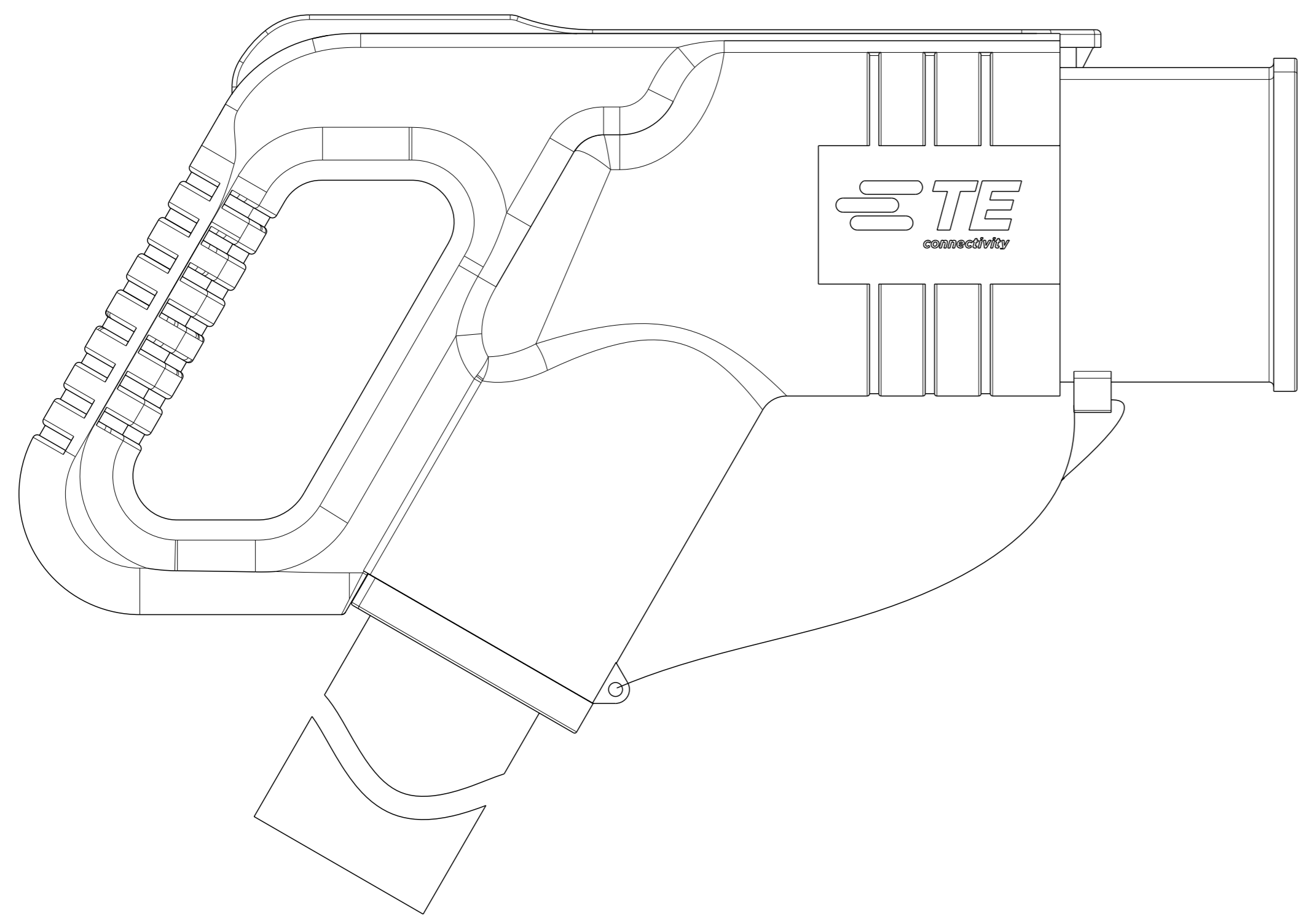


REVISIONS				
#	LY#	DESCRIPTION	DATE	OWN APVD
A2		增加CABLE COLOR	26Apr2017	N, W, X, X



EV CHARGE GUN W/O DUST CAP

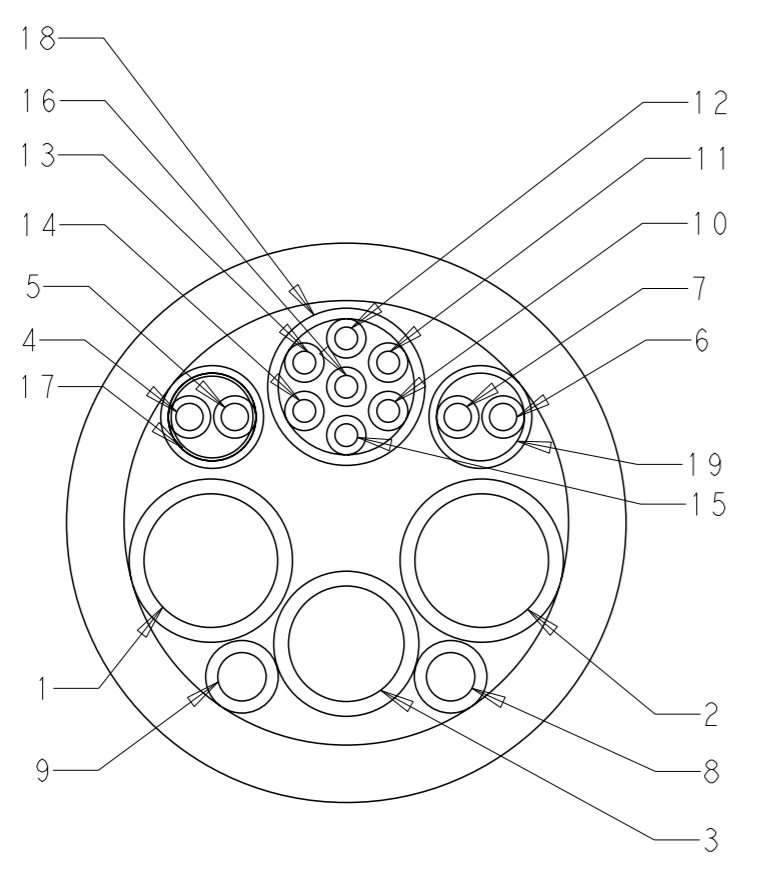


WITH DUST CAP

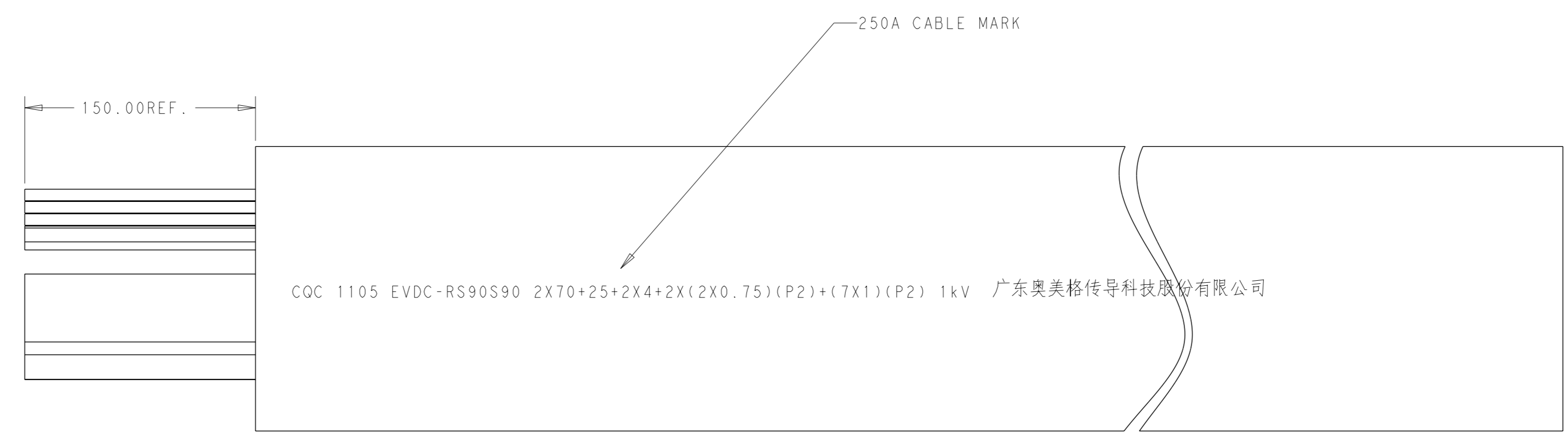
产品型号	P/N	BODY COLOR	CABLE COLOR	RATED CURRENT	CABLE LENGTH
TE-EVIDC-125P	2-2271798-2	WHITE	BLACK	125A	5m
TE-EVIDC-125P	2-2271798-1	BLACK	BLACK	125A	5m
TE-EVIDC-250P	1-2271798-2	WHITE	BLACK	250A	5m
TE-EVIDC-250P	1-2271798-1	BLACK	BLACK	250A	5m

THIS DRAWING IS A CONTROLLED DOCUMENT.		OWN: Ning Wang 20JUN2016	TE Connectivity CUSTOMER DRAWING FOR DC EV CHARGE GUN
DIMENSIONS: mm		CHK: Robby Zhao	
TOLERANCES UNLESS OTHERWISE SPECIFIED:		APVD: Xiang Xu 20JUN2016	NAME: CUSTOMER DRAWING FOR DC EV CHARGE GUN
0 PLC	±	PRODUCT SPEC	108-137188
1 PLC	±5	APPLICATION SPEC	
2 PLC	±3		
3 PLC	±		
4 PLC	±		
ANGLES	*		
MATERIAL: TBD		WEIGHT: -	SIZE: A1
		FINISH: -	CAGE CODE: -
			DRAWING NO: C=2271798
			RESTRICTED TO: -
			SCALE: 1:1
			SHEET 1 OF 2
			REV: A2

REVISIONS				
#	DATE	DESCRIPTION	DATE	APPROV



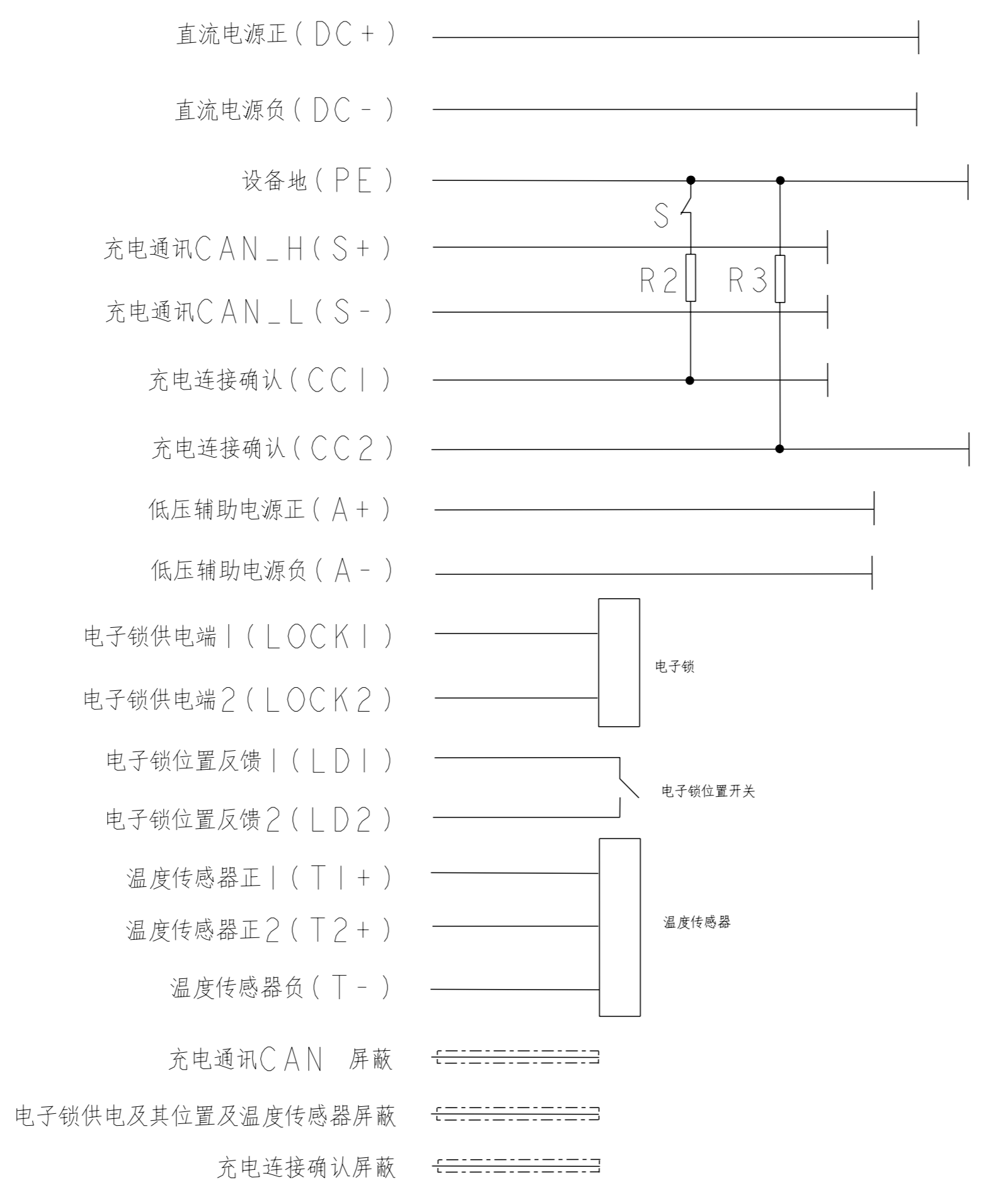
RAW CABLE / 线截面示意图



NOTE: 125A CABLE MARK IS ONLY CHANGED FROM 250A'S 70 TO 35.

CABLE

ITEM	功能 / FUNCTION	颜色 / COLOR
1	直流电源正 (DC+)	棕色 / BROWN
2	直流电源负 (DC-)	蓝色 / BLUE
3	设备地 (PE)	黄绿色 / YELLOW/GREEN
4	充电通讯CAN_H (S+)	红色 / RED
5	充电通讯CAN_L (S-)	白色 / WHITE
6	充电连接确认 (CC1)	灰色 / GRAY
7	充电连接确认 (CC2)	黑色 / BLACK
8	低压辅助电源正 (A+)	红色 / RED
9	低压辅助电源负 (A-)	白色 / WHITE
10	电子锁供电端1 (LOCK1)	红色 / RED
11	电子锁供电端2 (LOCK2)	黑色 / BLACK
12	电子锁位置反馈1 (LD1)	棕色 / BROWN
13	电子锁位置反馈2 (LD2)	白色 / WHITE
14	温度传感器正1 (T1+)	橙色 / ORANGE
15	温度传感器正2 (T2+)	蓝色 / BLUE
16	温度传感器负 (T-)	灰色 / GRAY
17	充电通讯CAN 屏蔽	黑色 / BLACK
18	电子锁供电及其位置及温度传感器屏蔽	黑色 / BLACK
19	充电连接确认屏蔽	黑色 / BLACK

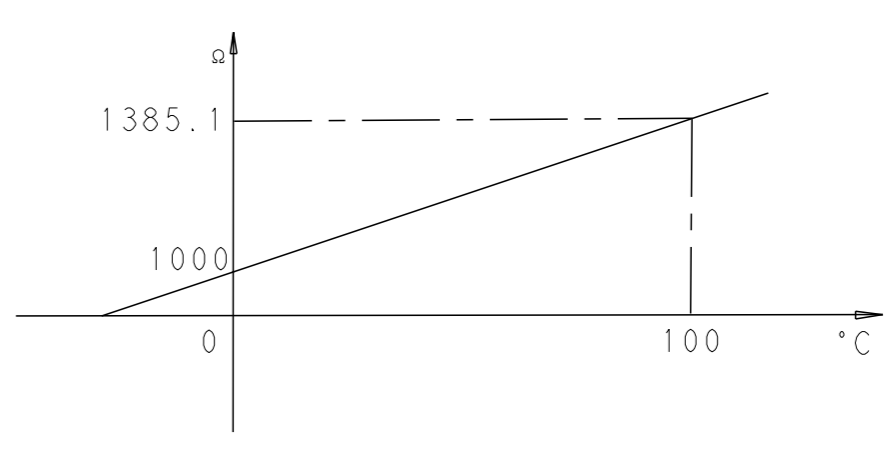


充电枪电气示意图

NOTES (备注)

- RATED VOLTAGE: 750VDC, 额定电压: 750VDC
- RATED CURRENT: 125A, 250A. 额定电流: 125A, 250A
- OPERATING TEMPERATURE: -30°C~50°C, 操作温度: -30°C~50°C
- PROTECTED DEGREE: IP55 (MATED WITH REC. SIDE) 防护等级: IP55 (公母配合)
- DIELECTRIC WITHSTANDING VOLTAGE: 3000V AC FOR 1 MIN. 耐压 3000V AC 一分钟
- DURABILITY: 10000 CYCLES 寿命: 10000次
- MATING&UNMATING FORCE: 140N Max. 插拔力: 140N Max.
- PERFORMANCE MEET GB/T 20234.1-2015. 产品性能符合GB/T20234.1-2015要求
- BIDIRECTIONAL SELF HOLDING ELECTTROMAGNET RATED VOLTAGE: 12VDC 自保持式电磁铁工作电压: 12VDC
- TEMPERATURE SENSOR CHARACTERITICS 温度传感器特性如下

描述	0°阻值	100°时阻值
温度传感器型号	1000Ω	1385.1Ω



THIS DRAWING IS A CONTROLLED DOCUMENT.		OWN: Ning Wang 20JUN2016	 TE Connectivity
DIMENSIONS: mm		CHK: Kobby Zhao 20JUN2016	
TOLERANCES UNLESS OTHERWISE SPECIFIED:		APPR: Xiang Xu 20JUN2016	NAME: CUSTOMER DRAWING FOR DC EV CHARGE GUN
MATERIAL: TBD		FINISH: -	SIZE: A1
CUSTOMER DRAWING		SCALE: 1:1	SHEET 2 OF 2 REV A2