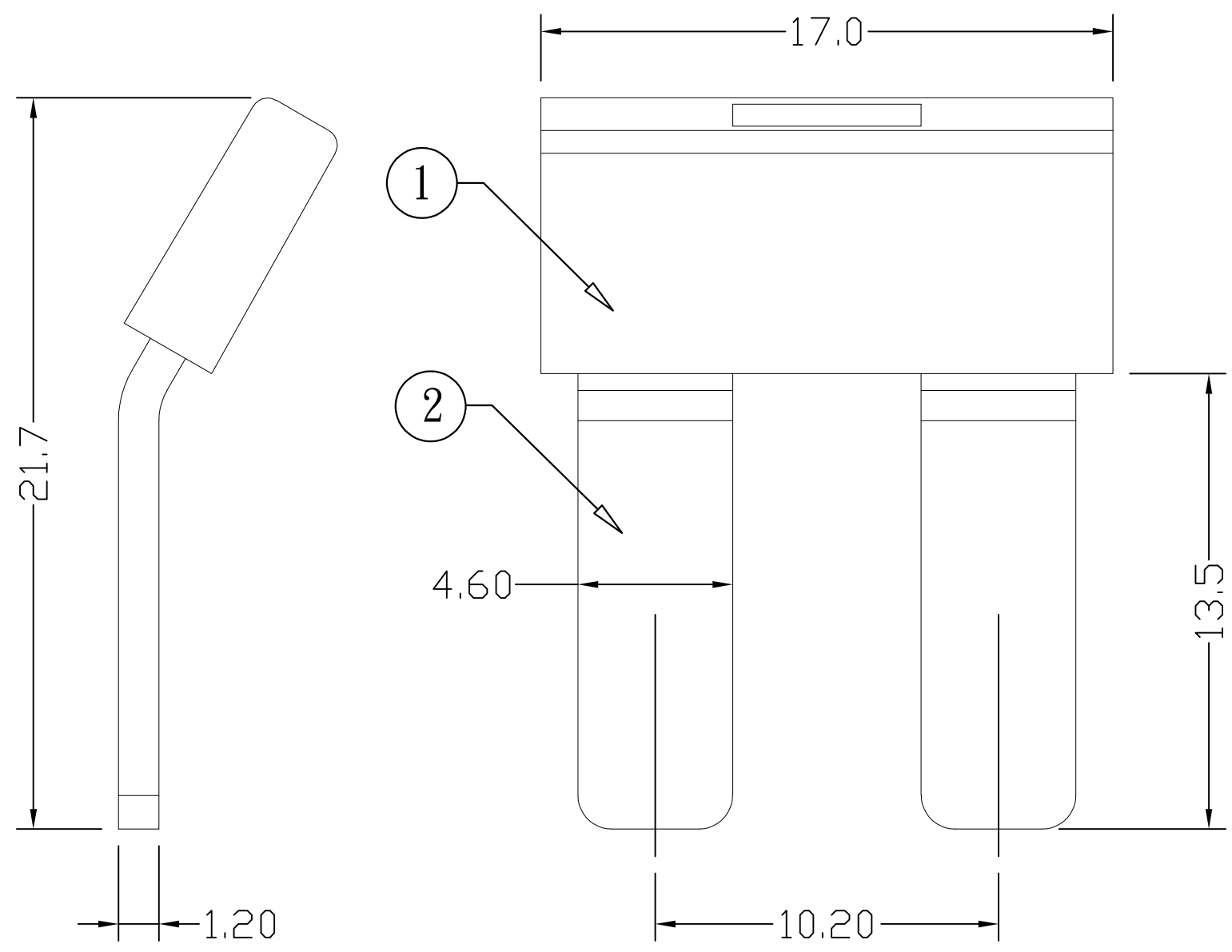


THIS DRAWING IS UNPUBLISHED. RELEASED FOR PUBLICATION
 © COPYRIGHT - By - ALL RIGHTS RESERVED.


REVISIONS				
P	LTR	DESCRIPTION	DATE	APVD
	A	OFFICIAL VERSION RELEASE	25DEC2016	F.Y X.X



NOTES:
 1. MATERIAL:SEE TABLE
 2. APPLICABLE TO PRODUCT SERIES: 10mm² SERIES;
 3. CONTINUOUS CURRENT: 57A/57A
 4. REQUIREMENT FOR ENVIRONMENTAL SUBSTANCES MUST BE COMPLIANCE WITH ROHS AND REACH.

ITEM	COMPONENTS	MATERIAL	Q'TY	PLATING
2	TERMINAL	COPPER	1	Tin Plated
1	HOUSING	THERMOPLASTIC	1	

TFBCS 2-10	2271748-1
TE SERIES No.	PART NUMBER

THIS DRAWING IS A CONTROLLED DOCUMENT.		DWN FENCER YU 25DEC2016	 TE Connectivity		
DIMENSIONS: mm		CHK KOBBY ZHAO 25DEC2016			
TOLERANCES UNLESS OTHERWISE SPECIFIED:		APVD XIANG XU 25DEC2016	NAME SIDE PLUG BRIDGE FOR 10MM ² SCREW TYPE TERMINAL BLOCK		
0 PLC ± - 1 PLC ± 0.50 2 PLC ± 0.40 3 PLC ± 0.30 4 PLC ± - ANGLES ± -		PRODUCT SPEC -	APPLICATION SPEC -		
MATERIAL -		FINISH -	114-137172	SIZE A3	CAGE CODE 00779
		WEIGHT 2.7 g	DRAWING NO C-2271748		RESTRICTED TO -
CUSTOMER DRAWING			SCALE 1:1	SHEET 1 OF 1	REV A