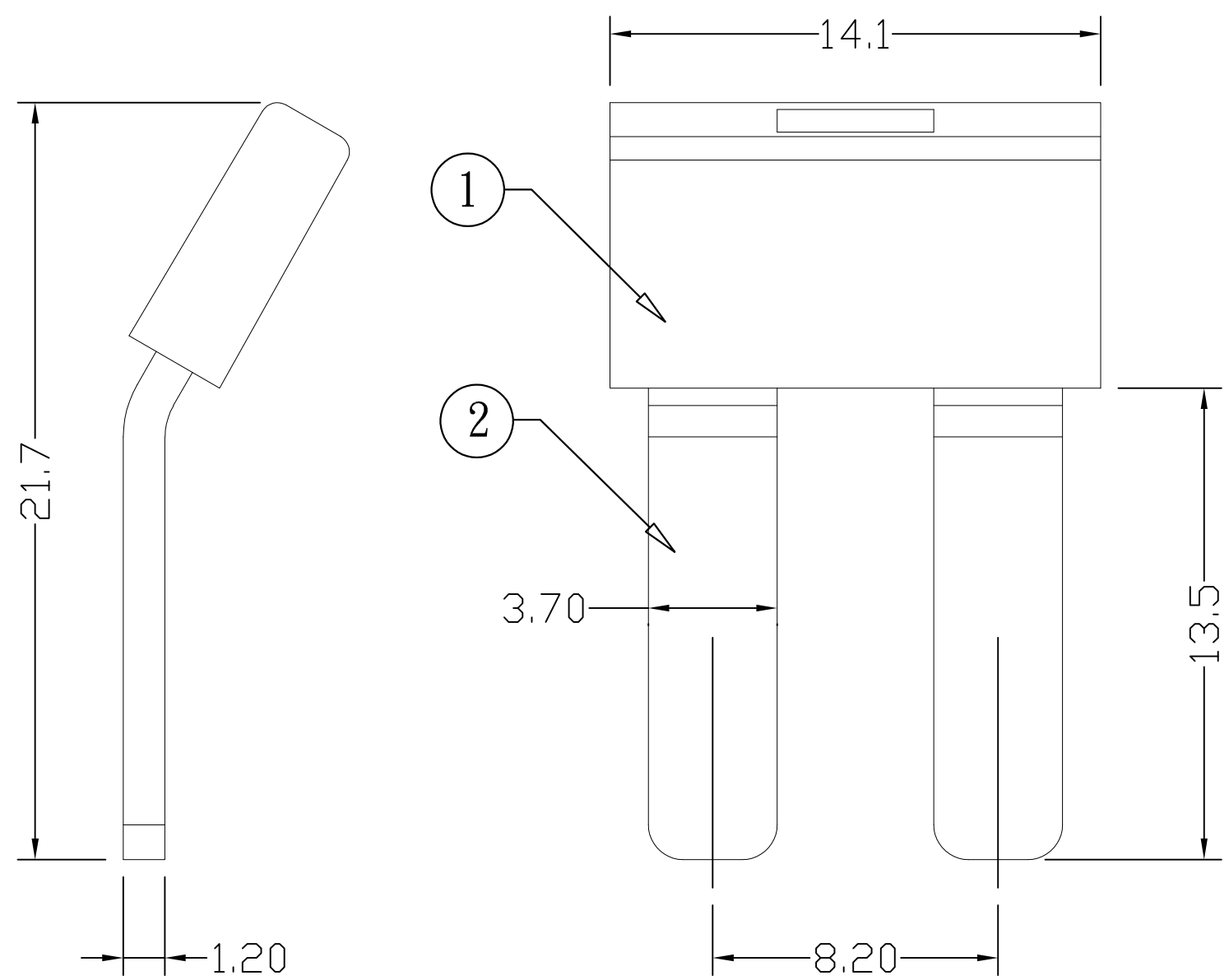


THIS DRAWING IS UNPUBLISHED. RELEASED FOR PUBLICATION  
 © COPYRIGHT - By - ALL RIGHTS RESERVED.


REVISIONS				
P	LTR	DESCRIPTION	DATE	APVD
	A	OFFICIAL VERSION RELEASE	25DEC2016	F.Y X.X



- NOTES:**
1. MATERIAL:SEE TABLE
  2. APPLICABLE TO PRODUCT SERIES: 6mm<sup>2</sup> SERIES;
  3. CONTINUOUS CURRENT: 41A/41A
  4. REQUIREMENT FOR ENVIRONMENTAL SUBSTANCES MUST BE COMPLIANCE WITH ROHS AND REACH.

ITEM	COMPONENTS	MATERIAL	Q'TY	PLATING
2	TERMINAL	COPPER	1	Tin Plated
1	HOUSING	THERMOPLASTIC	1	

TFBCS 2-8	2271747-1
TE SERIES No.	PART NUMBER

THIS DRAWING IS A CONTROLLED DOCUMENT.		DWN FENCER YU 25DEC2016	 TE Connectivity	
DIMENSIONS: mm		CHK KOBBY ZHAO 25DEC2016		
TOLERANCES UNLESS OTHERWISE SPECIFIED:		APVD XIANG XU 25DEC2016	NAME SIDE PLUG BRIDGE FOR 6MM <sup>2</sup> SCREW TYPE TERMINAL BLOCK	
0 PLC ± - 1 PLC ± 0.50 2 PLC ± 0.40 3 PLC ± 0.30 4 PLC ± - ANGLES ± -		PRODUCT SPEC -	-	
MATERIAL -		FINISH -	APPLICATION SPEC 114-137172	RESTRICTED TO -
		WEIGHT 2.1 g	SIZE A3	CAGE CODE 00779
		CUSTOMER DRAWING	DRAWING NO C-2271747	SCALE 1:1
			SHEET 1 OF 1	REV A