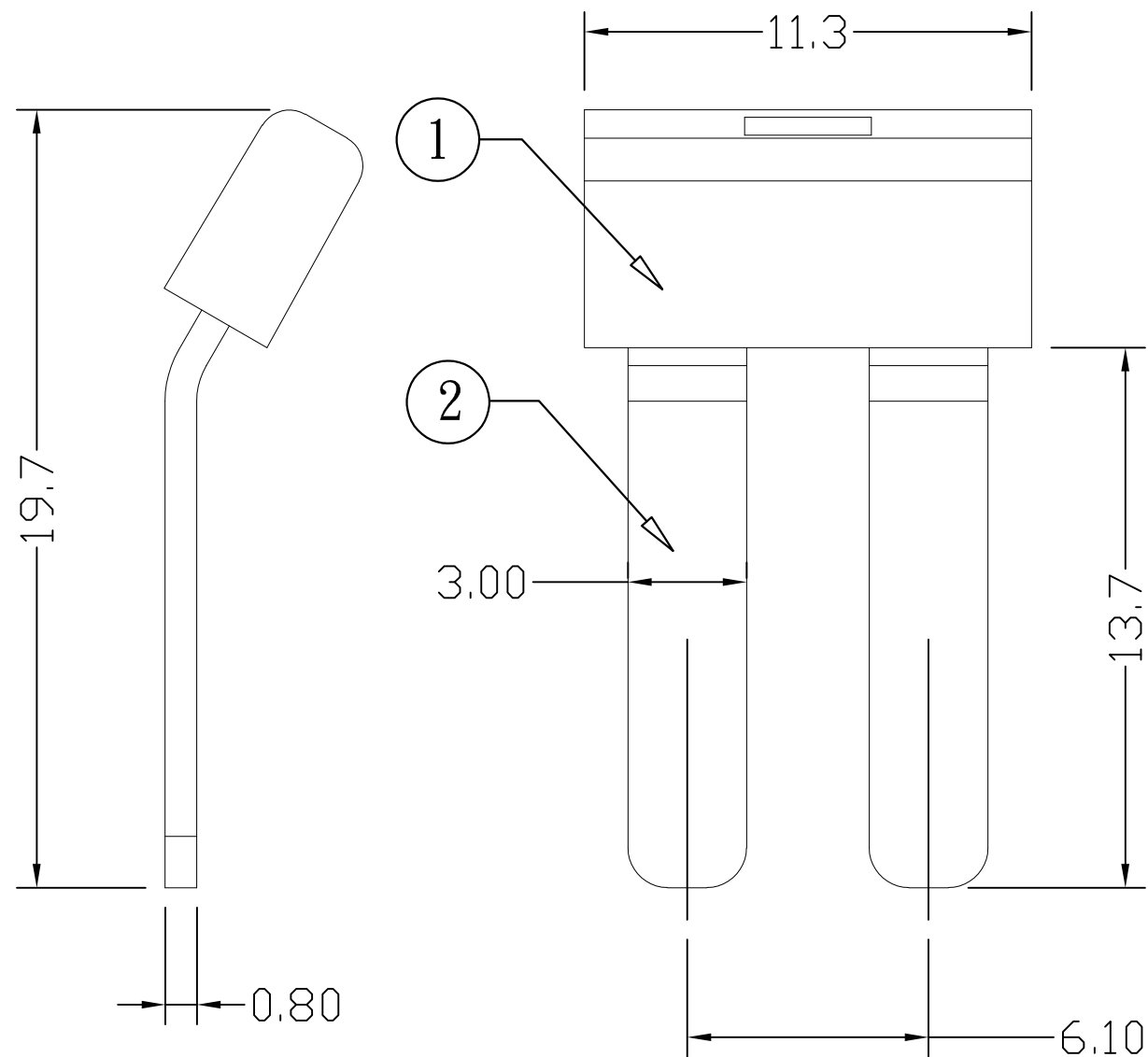


THIS DRAWING IS UNPUBLISHED. RELEASED FOR PUBLICATION  
 © COPYRIGHT - By - ALL RIGHTS RESERVED.

REVISIONS				
P	LTR	DESCRIPTION	DATE	APVD
	A	OFFICIAL VERSION RELEASE	25DEC2016	F.Y X.X



- NOTES:**
1. MATERIAL:SEE TABLE
  2. APPLICABLE TO PRODUCT SERIES:4mm^2 SERIES;
  3. CONTINUOUS CURRENT: 32A/32A
  4. REQUIREMENT FOR ENVIRONMENTAL SUBSTANCES MUST BE COMPLIANCE WITH ROHS AND REACH.

ITEM	COMPONENTS	MATERIAL	Q'TY	PLATING
2	TERMINAL	COPPER	1	Tin Plated
1	HOUSING	THERMOPLASTIC	1	

TFBCS 2-6	2271746-1
TE SERIES No.	PART NUMBER

THIS DRAWING IS A CONTROLLED DOCUMENT.		DWN FENCER YU 25DEC2016	<b>STE</b> TE Connectivity	
DIMENSIONS: mm		CHK KOBBY ZHAO 25DEC2016		
TOLERANCES UNLESS OTHERWISE SPECIFIED:		APVD XIANG XU 25DEC2016	NAME SIDE PLUG BRIDGE FOR 4MM <sup>2</sup> SCREW TYPE TERMINAL BLOCK	
0 PLC ± -		PRODUCT SPEC -	APPLICATION SPEC -	
1 PLC ± 0.50		114-137172	SIZE A3	CAGE CODE 00779
2 PLC ± 0.40		WEIGHT 1.1 g	DRAWING NO C-2271746	RESTRICTED TO -
3 PLC ± 0.30		CUSTOMER DRAWING	SCALE 1:1	SHEET 1 OF 1
4 PLC ± -			REV A	
ANGLES ± -				
FINISH -				