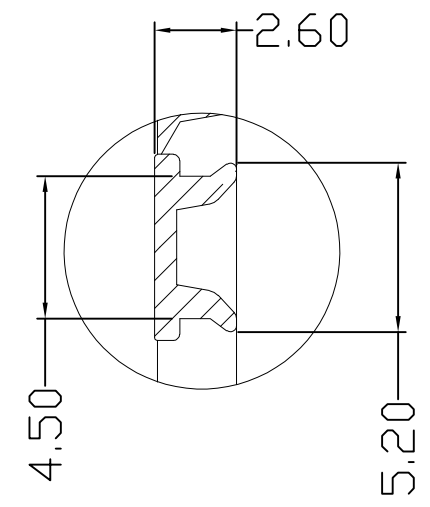
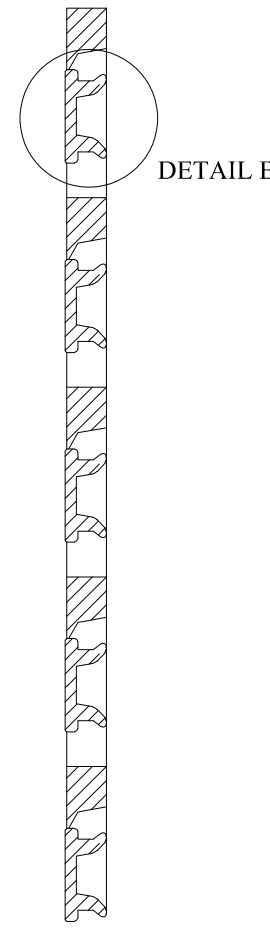
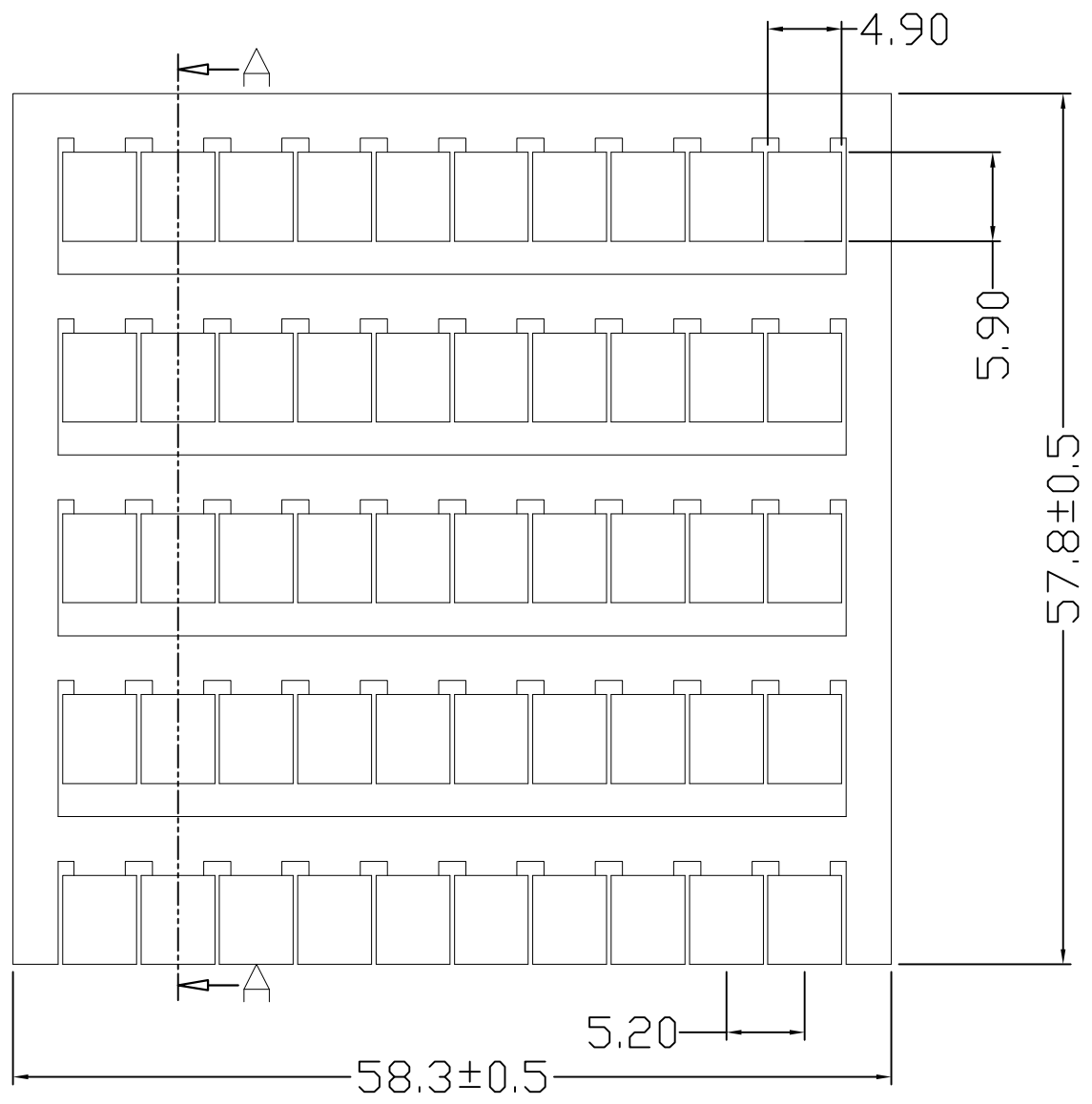


THIS DRAWING IS UNPUBLISHED. RELEASED FOR PUBLICATION
 © COPYRIGHT - By - ALL RIGHTS RESERVED.

REVISIONS				
P	LTR	DESCRIPTION	DATE	APVD
	A	OFFICIAL VERSION RELEASE	25DEC2016	F.Y X.X



TU-TM 5	2271724-1	50
TE SERIES No.	PART NUMBER	POLES/PC

NOTES:

1. MATERIAL:

HOUSING:TERMOPLASTIC,UL94 V-0,COLOR:WHITE ,

2. REQUIREMENT FOR ENVIRONMENTAL SUBSTANCES

MUST BE COMPLIANCE WITH ROHS AND REACH.

THIS DRAWING IS A CONTROLLED DOCUMENT.		DWN FENCER YU 25DEC2016	STE TE Connectivity	
DIMENSIONS: mm		CHK KOBBY ZHAO 25DEC2016		
TOLERANCES UNLESS OTHERWISE SPECIFIED:		APVD XIANG XU 25DEC2016	NAME MARKING LABEL FOR SCREW TYPE TERMINAL BLOCK	
0 PLC ± 0.50		PRODUCT SPEC	-	
1 PLC ± 0.30		APPLICATION SPEC	-	
2 PLC ± 0.20		114-137172	SIZE A3	CAGE CODE 00779
3 PLC ± -		WEIGHT 4.0 g	DRAWING NO C-2271724	RESTRICTED TO -
4 PLC ± -		CUSTOMER DRAWING	SCALE 1:1	SHEET 1 OF 1
ANGLES ± -				REV A
FINISH -				