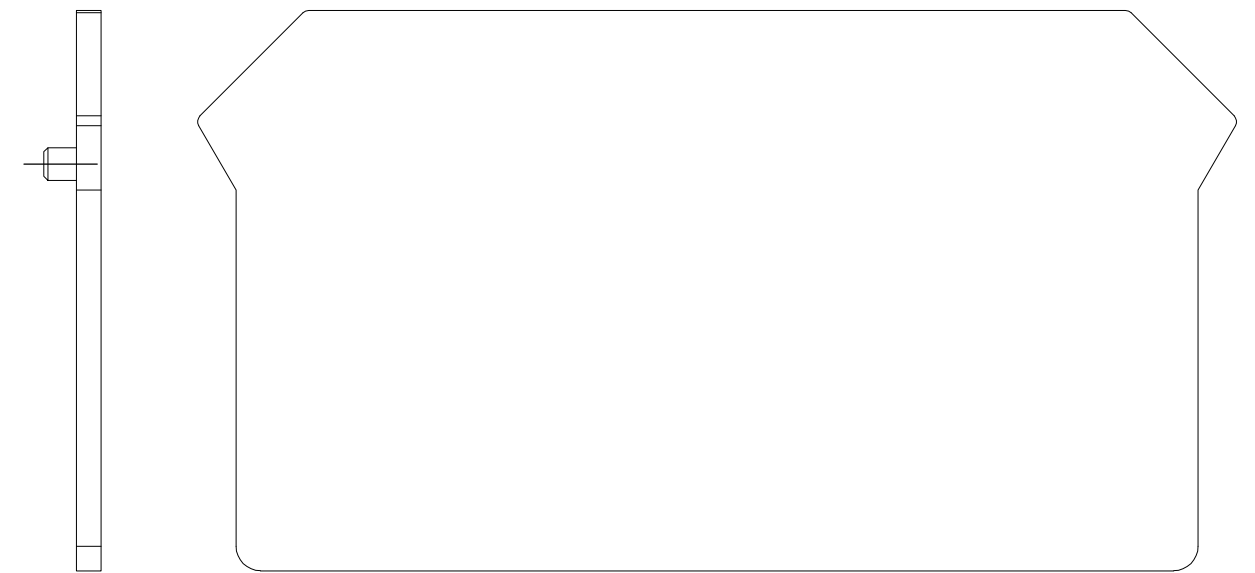
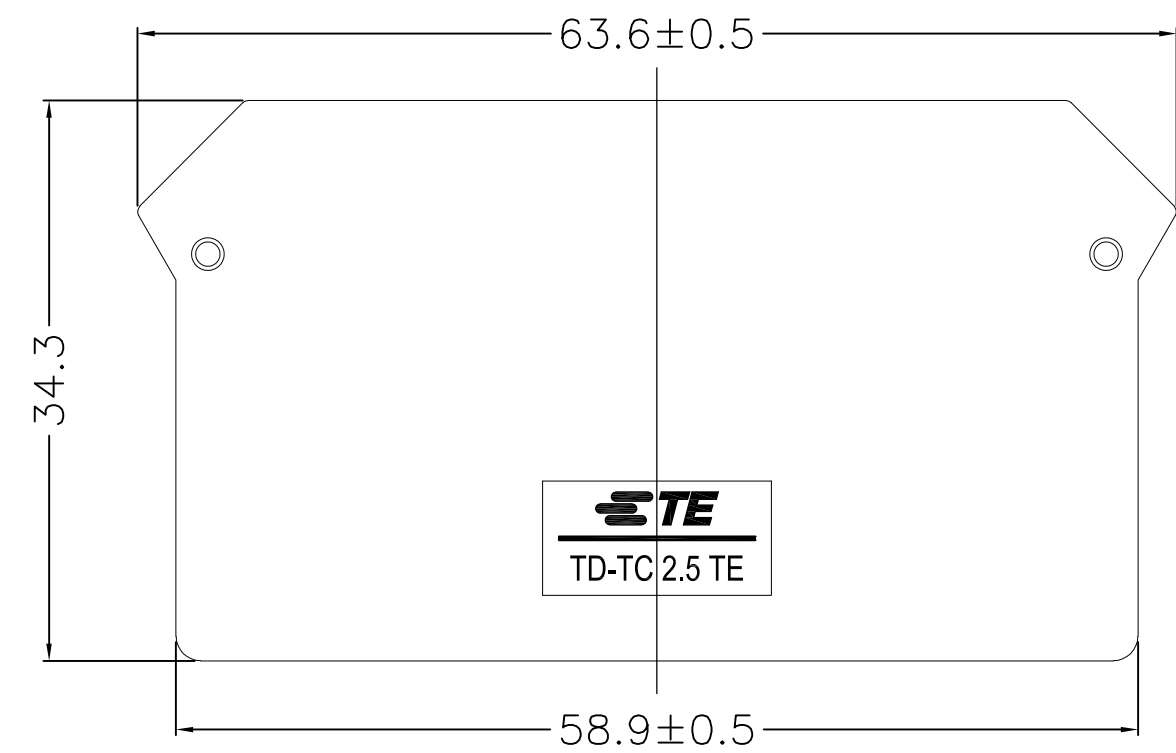
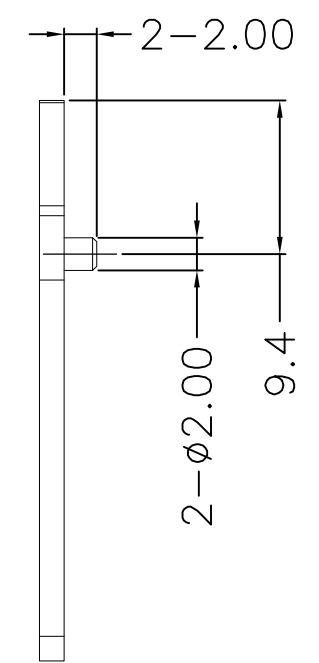
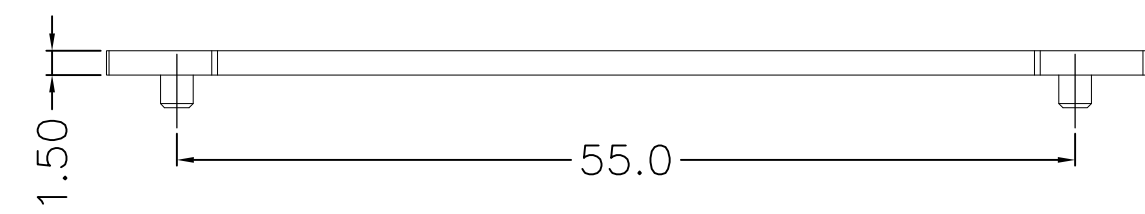


THIS DRAWING IS UNPUBLISHED. RELEASED FOR PUBLICATION
 © COPYRIGHT - By - ALL RIGHTS RESERVED.

REVISIONS					
P	LTR	DESCRIPTION	DATE	DWN	APVD
	A	OFFICIAL VERSION RELEASE	25MAR2017	F.Y	X.X



NOTES:

1. Material: Thermoplastic, UL94 V-0, Color: Gray
2. Requirement for environmental substance must be compliance with ROHS and REACH.

TD-TC 2.5 TE	2271712-1
TE SERIES No.	PART NUMBER

THIS DRAWING IS A CONTROLLED DOCUMENT.		DWN FENCER YU 25MAR2017	TE Connectivity														
DIMENSIONS: mm		CHK XIANG XU 25MAR2017															
TOLERANCES UNLESS OTHERWISE SPECIFIED:		APVD XIANG XU 25MAR2017	NAME														
<table border="0"> <tr><td>0 PLC</td><td>± 0.50</td></tr> <tr><td>1 PLC</td><td>± 0.40</td></tr> <tr><td>2 PLC</td><td>± 0.30</td></tr> <tr><td>3 PLC</td><td>± -</td></tr> <tr><td>4 PLC</td><td>± -</td></tr> <tr><td>ANGLES</td><td>± 3°</td></tr> </table>		0 PLC	± 0.50	1 PLC	± 0.40	2 PLC	± 0.30	3 PLC	± -	4 PLC	± -	ANGLES	± 3°	PRODUCT SPEC	END COVER FOR SCREW CLAMP TYPE TERMINAL BLOCK		
0 PLC	± 0.50																
1 PLC	± 0.40																
2 PLC	± 0.30																
3 PLC	± -																
4 PLC	± -																
ANGLES	± 3°																
MATERIAL		APPLICATION SPEC	SIZE	CAGE CODE	DRAWING NO	RESTRICTED TO											
-		114-137172	A3	00779	C-2271712	-											
FINISH		WEIGHT	CUSTOMER DRAWING		SCALE	SHEET	REV										
-		3.4 g	-		1:1	1 OF 1	A										