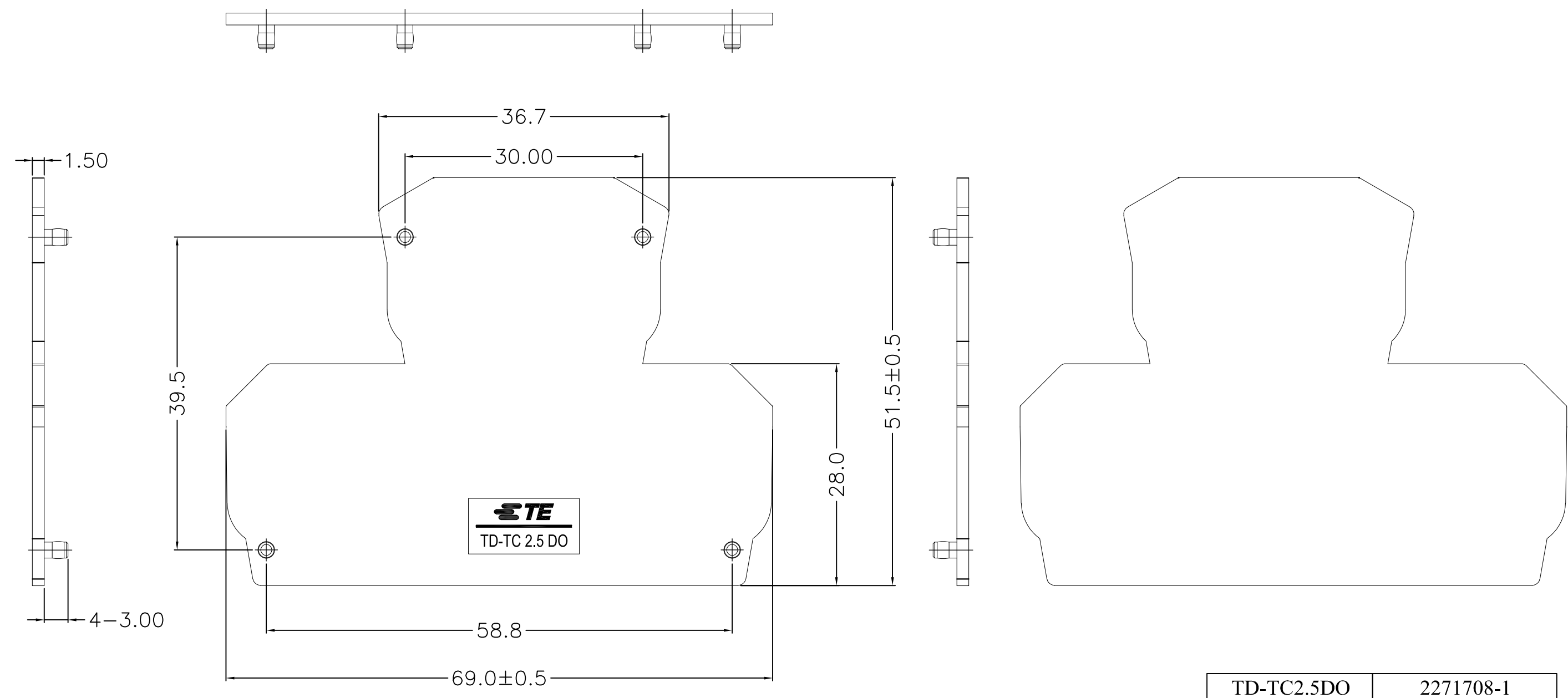


THIS DRAWING IS UNPUBLISHED. RELEASED FOR PUBLICATION
 © COPYRIGHT - By - ALL RIGHTS RESERVED.

REVISIONS					
P	LTR	DESCRIPTION	DATE	DWN	APVD
	A	OFFICIAL VERSION RELEASE	25DEC2016	F.Y	X.X



TD-TC2.5DO	2271708-1
TE SERIES No.	PART NUMBER

- NOTES:**
1. Material:Thermoplastic, UL94 V-0, Color:Gray
 2. Requirement for environmental substance must be compliance with ROHS and REACH.

THIS DRAWING IS A CONTROLLED DOCUMENT.		DWN	FENCER YU	25DEC2016	TE Connectivity END COVER FOR SCREW CLAMP TYPE TERMINAL BLOCK					
DIMENSIONS: mm		CHK	KOBBY ZHAO	25DEC2016				NAME		
		APVD	XIANG XU	25DEC2016				PRODUCT SPEC		
TOLERANCES UNLESS OTHERWISE SPECIFIED: 0 PLC ± 0.50 1 PLC ± 0.40 2 PLC ± 0.30 3 PLC ± - 4 PLC ± - ANGLES ± 3°		APPLICATION SPEC						RESTRICTED TO		
MATERIAL		WEIGHT		114-137172	SIZE	CAGE CODE	DRAWING NO	A3 00779 C-2271708		
FINISH		CUSTOMER DRAWING		SCALE		SHEET		REV		
				1:1		1 OF 1		A		