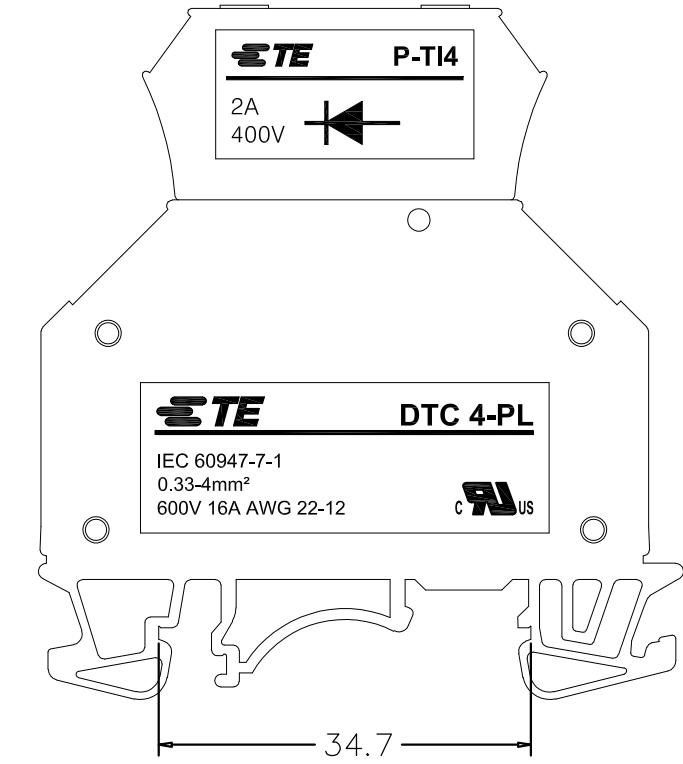
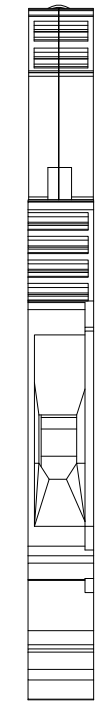
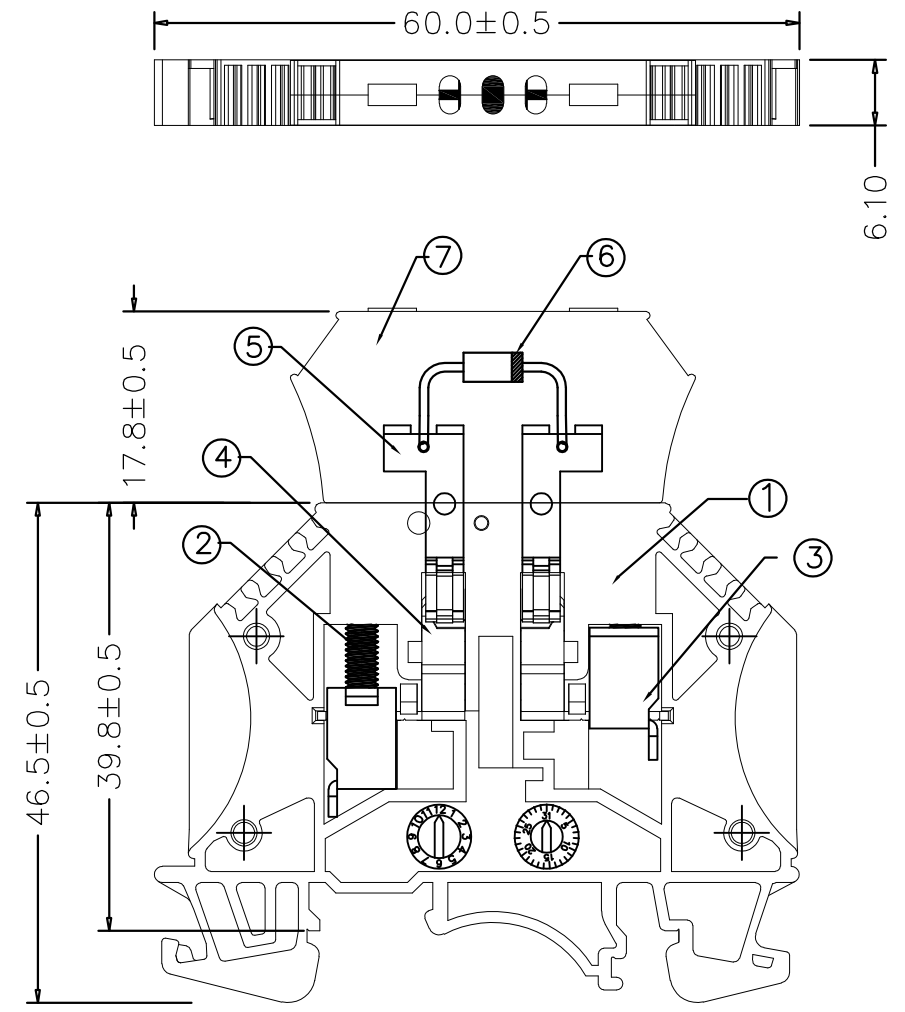


THIS DRAWING IS UNPUBLISHED. RELEASED FOR PUBLICATION  
 © COPYRIGHT - By - ALL RIGHTS RESERVED.

REVISIONS					
P	LTR	DESCRIPTION	DATE	DWN	APVD
	A	OFFICIAL VERSION RELEASE	25MAR2017	F.Y	X.X



**NOTES:**

1. Material: See table
2. Diode Rated current & voltage :2Amp 400V
3. Rated current & voltage :(UL)16Amp 600V , (IEC)20Amp 800V,
4. Impulse withstand voltage: 8KV
5. Screw Size torque:M3 , 6 lbs-in(0.69Nm)
6. Wire strip length: 10-12mm
7. Suitable wire size : (UL)22 - 12 AWG ,(IEC)0.33-4mm<sup>2</sup>
8. Plug operation cycles: 50times
9. Requirement for environmental substance must be compliance with ROHS and REACH.

TE SERIES No.	PART NUMBER	COLOR
	2271699-5	BLACK
	2271699-4	ORANGE
	2271699-3	RED
	2271699-2	BLUE
	2271699-1	GRAY

ITEM	COMPONENTS	MATERIAL	QTY	PLATING
7	HOUSING 2	THERMOPLASTIC	1	
6	DIODE		1	
5	TERMINAL 2	COPPER ALLOY	2	Tin Plated
4	TERMINAL 1	COPPER ALLOY	2	Tin Plated
3	CLAMP	STEEL	2	Zinc Plated
2	SCREW	STEEL	2	Zinc Plated
1	HOUSING 1	THERMOPLASTIC	1	

THIS DRAWING IS A CONTROLLED DOCUMENT.		DWN FENCER YU 25MAR2017		TE Connectivity NAME: 4mm <sup>2</sup> WIRE 1 IN 1 OUT SCREW FEATURES OF DISCONNECT TYPE TERMINAL BLOCK	
DIMENSIONS: mm		TOLERANCES UNLESS OTHERWISE SPECIFIED:			
		0 PLC ± 0.50 1 PLC ± 0.40 2 PLC ± 0.30 3 PLC ± - 4 PLC ± - ANGLES ± ±3°		CHK XIANG XU 25MAR2017 APVD XIANG XU 25MAR2017 PRODUCT SPEC 108-137172 APPLICATION SPEC 114-137172	
MATERIAL SEE TABLE		FINISH -		WEIGHT 14 g SIZE A3 CAGE CODE 00779 DRAWING NO C-2271699 RESTRICTED TO -	
CUSTOMER DRAWING				SCALE 1:1 SHEET 1 OF 1 REV A	