

4

3

2

1

THIS DRAWING IS UNPUBLISHED.

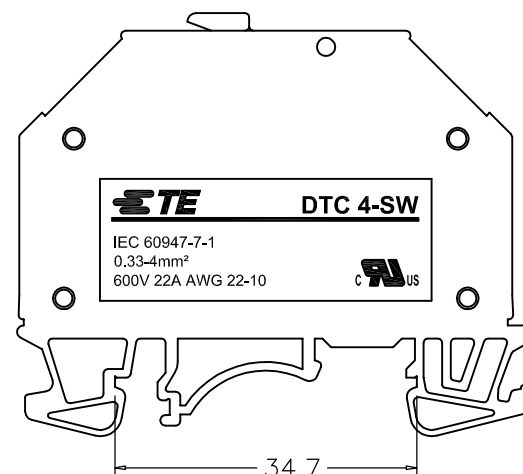
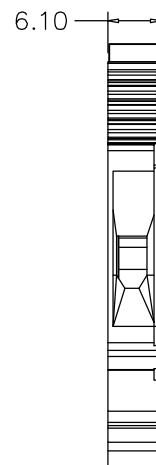
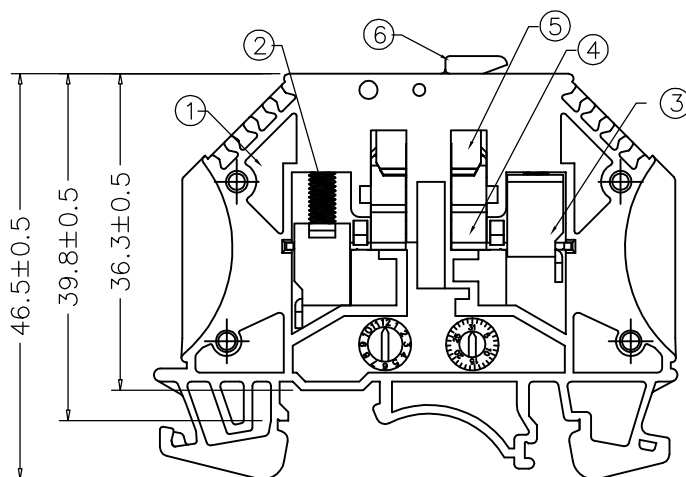
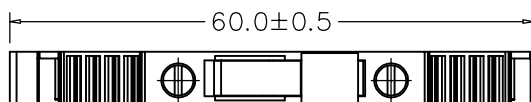
RELEASED FOR PUBLICATION

ALL RIGHTS RESERVED.

© COPYRIGHT - By -

REVISIONS

P	LTR	DESCRIPTION	DATE	DWN	APVD
	A	OFFICIAL VERSION RELEASE	25MAR2017	F.Y	X.X



NOTES:

1. Material: See table
2. Rated current & voltage : (UL)22Amp 600V , (IEC)22Amp 800V,
3. Impulse withstand voltage: 8KV
4. Screw Size torque: M3 , 6 lbs-in(0.69Nm)
5. Wire strip length: 10-12mm
6. Suitable wire size : (UL)22 - 10 AWG ,(IEC)0.33-4mm²
7. Switch operation cycles: 50times
8. Requirement for environmental substance must be compliance with ROHS and REACH.

ITEM	COMPONENTS	MATERIAL	Q'TY	PLATING
6	HOUSING 2	THERMOPLASTIC	1	
5	TERMINAL 2	COPPER ALLOY	1	Tin Plated
4	TERMINAL 1	COPPER ALLOY	2	Tin Plated
3	CLAMP	STEEL	2	Zinc Plated
2	SCREW	STEEL	2	Zinc Plated
1	HOUSING 1	THERMOPLASTIC	1	

DTC 4-SW	2271698-5	BLACK
	2271698-4	ORANGE
	2271698-3	RED
	2271698-2	BLUE
	2271698-1	GRAY
TE SERIES No.	PART NUMBER	COLOR

THIS DRAWING IS A CONTROLLED DOCUMENT.		DWN FENCER YU 25MAR2017	TE Connectivity	
		CHK XIANG XU 25MAR2017		
DIMENSIONS: mm		APVD XIANG XU 25MAR2017	NAME 4mm ² WIRE 1 IN 1 OUT SCREW FEATURES OF DISCONNECT TYPE TERMINAL BLOCK	
		PRODUCT SPEC 108-137172	-	
TOLERANCES UNLESS OTHERWISE SPECIFIED:		APPLICATION SPEC 114-137172	SIZE A3	
0 PLC ± 0.50 1 PLC ± 0.40 2 PLC ± 0.30 3 PLC ± - 4 PLC ± - ANGLES ± ±3°		WEIGHT 10.8 g	CAGE CODE 00779	DRAWING NO C=2271698
MATERIAL SEE TABLE		FINISH -	RESTRICTED TO -	
CUSTOMER DRAWING			SCALE 1:1	SHEET 1 OF 1
			REV A	