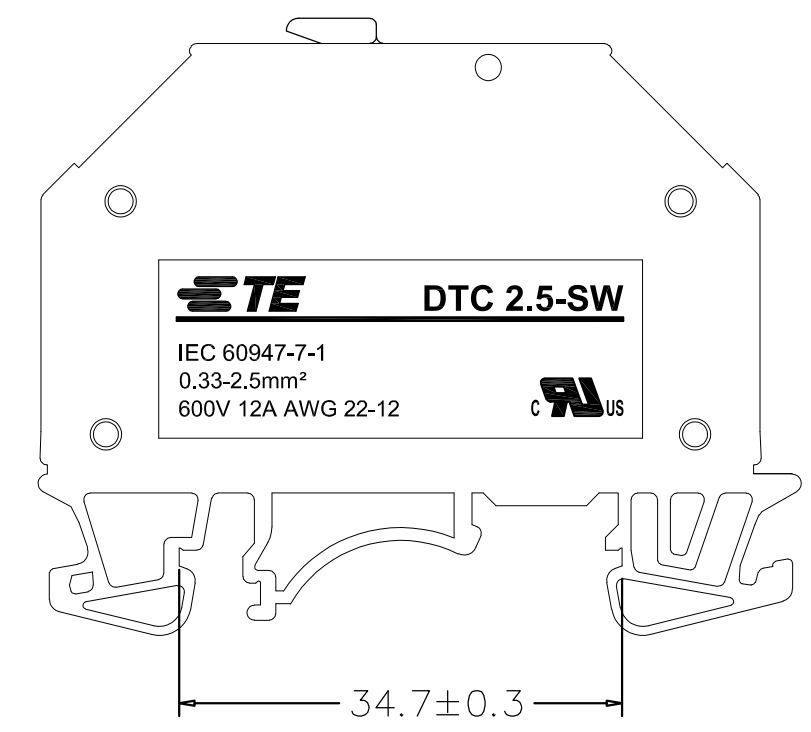
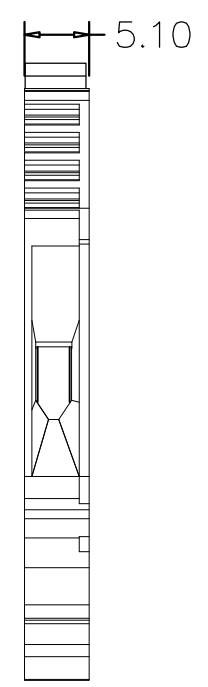
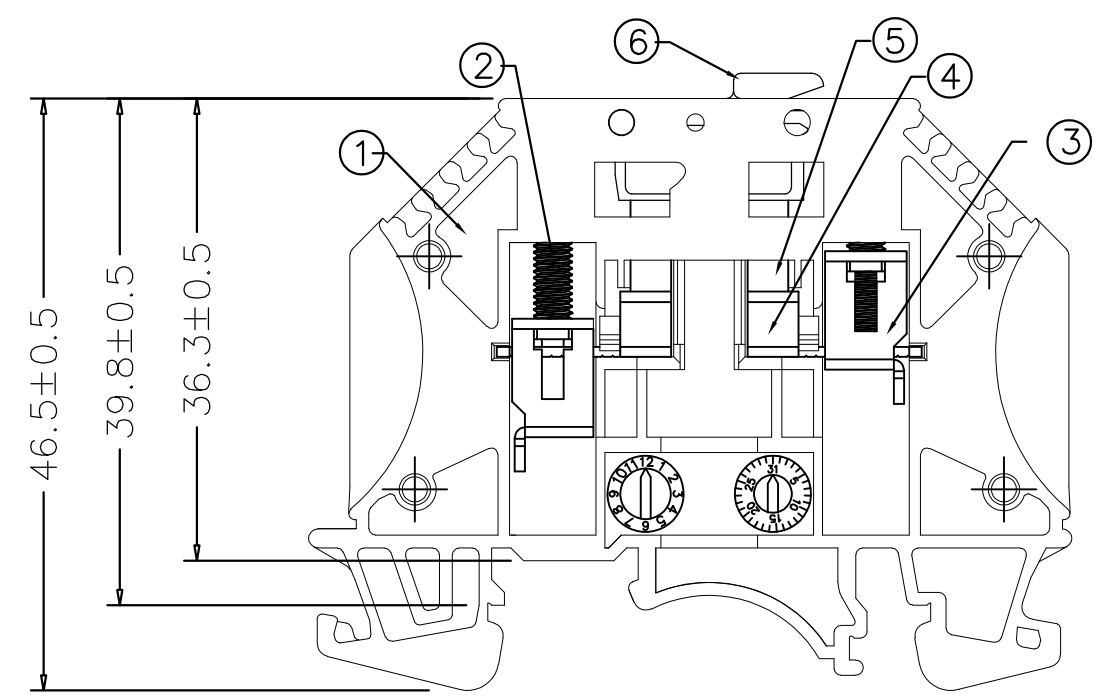
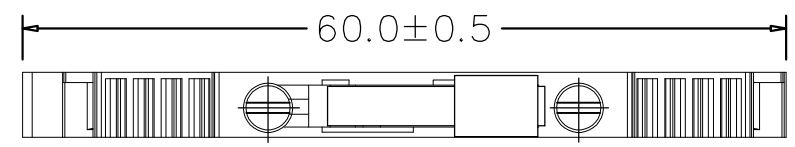


THIS DRAWING IS UNPUBLISHED. RELEASED FOR PUBLICATION
 © COPYRIGHT - By - ALL RIGHTS RESERVED.

| REVISIONS | | | | |
|-----------|-----|--------------------------|-----------|---------|
| P | LTR | DESCRIPTION | DATE | APVD |
| | A | OFFICIAL VERSION RELEASE | 25MAR2017 | F.Y X.X |



NOTES:

1. Material: See table
2. Rated current & voltage : (UL)12Amp 600V , (IEC)15Amp 800V,
3. Impulse withstand voltage: 8KV
4. Screw Size torque: M3 , 4.5 lbs-in(0.5Nm)
5. Wire strip length: 8-10mm
6. Suitable wire size : (UL)22 - 12 AWG ,(IEC)0.33-2.5mm²
7. Switch operation cycles: 50times
8. Requirement for environmental substance must be compliance with ROHS and REACH.

| ITEM | COMPONENTS | MATERIAL | Q'TY | PLATING |
|------|------------|---------------|------|-------------|
| 6 | HOUSING 2 | THERMOPLASTIC | 1 | |
| 5 | TERMINAL 2 | COPPER ALLOY | 1 | Tin Plated |
| 4 | TERMINAL 1 | COPPER ALLOY | 2 | Tin Plated |
| 3 | CLAMP | STEEL | 2 | Zinc Plated |
| 2 | SCREW | STEEL | 2 | Zinc Plated |
| 1 | HOUSING 1 | THERMOPLASTIC | 1 | |

| | | |
|---------------|-------------|--------|
| DTC 2.5-SW | 2271697-5 | BLACK |
| | 2271697-4 | ORANGE |
| | 2271697-3 | RED |
| | 2271697-2 | BLUE |
| | 2271697-1 | GRAY |
| TE SERIES No. | PART NUMBER | COLOR |

| | | | | |
|--|--|-----------------------------|--|----------------------|
| THIS DRAWING IS A CONTROLLED DOCUMENT. | | DWN FENCER YU 25MAR2017 | TE Connectivity | |
| DIMENSIONS: mm | | CHK XIANG XU 25MAR2017 | | |
| TOLERANCES UNLESS OTHERWISE SPECIFIED: | | APVD XIANG XU 25MAR2017 | NAME | |
| 0 PLC ± 0.50 1 PLC ± 0.40 2 PLC ± 0.30 3 PLC ± - 4 PLC ± - ANGLES ± ±3° | | PRODUCT SPEC 108-137172 | 2.5mm ² WIRE 1 IN 1 OUT SCREW | |
| MATERIAL SEE TABLE | | FINISH - | FEATURES OF DISCONNECT TYPE TERMINAL BLOCK | |
| | | APPLICATION SPEC 114-137172 | SIZE | RESTRICTED TO |
| | | WEIGHT 9 g | CAGE CODE A300779 | DRAWING NO C-2271697 |
| | | CUSTOMER DRAWING | SCALE 1:1 | SHEET 1 OF 1 |
| | | | | REV A |