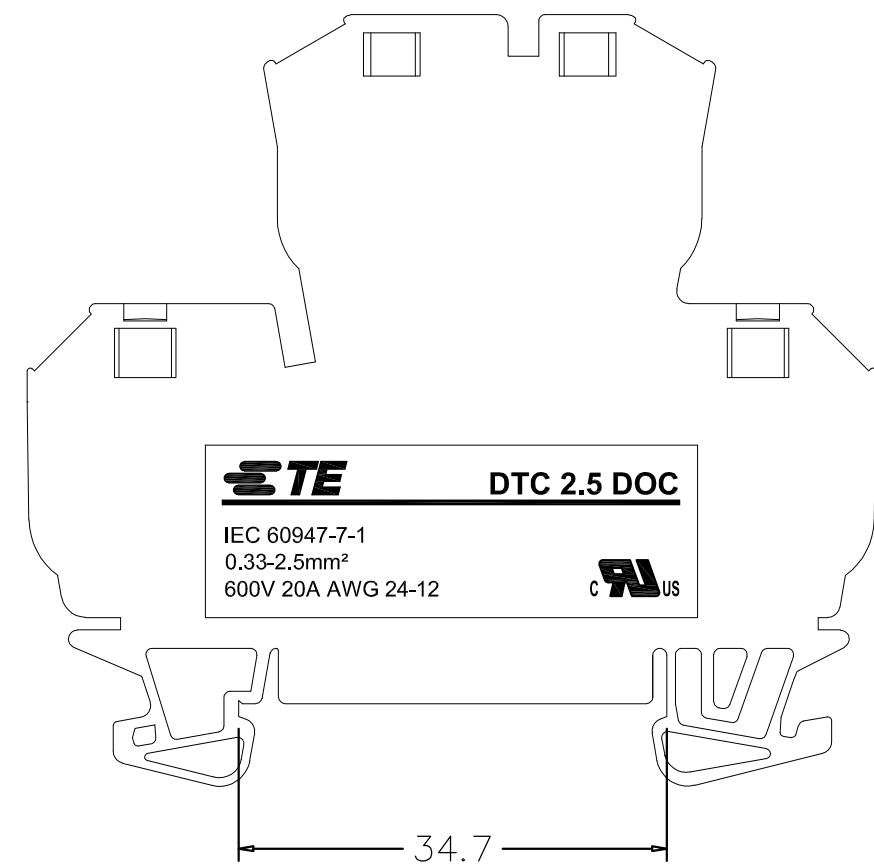
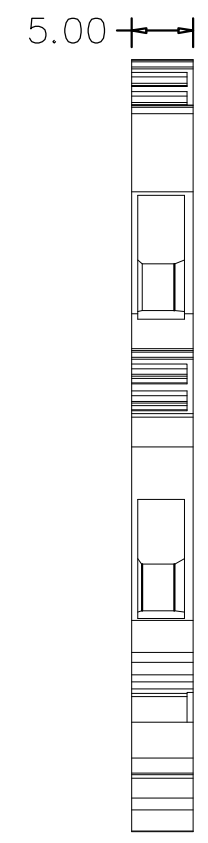
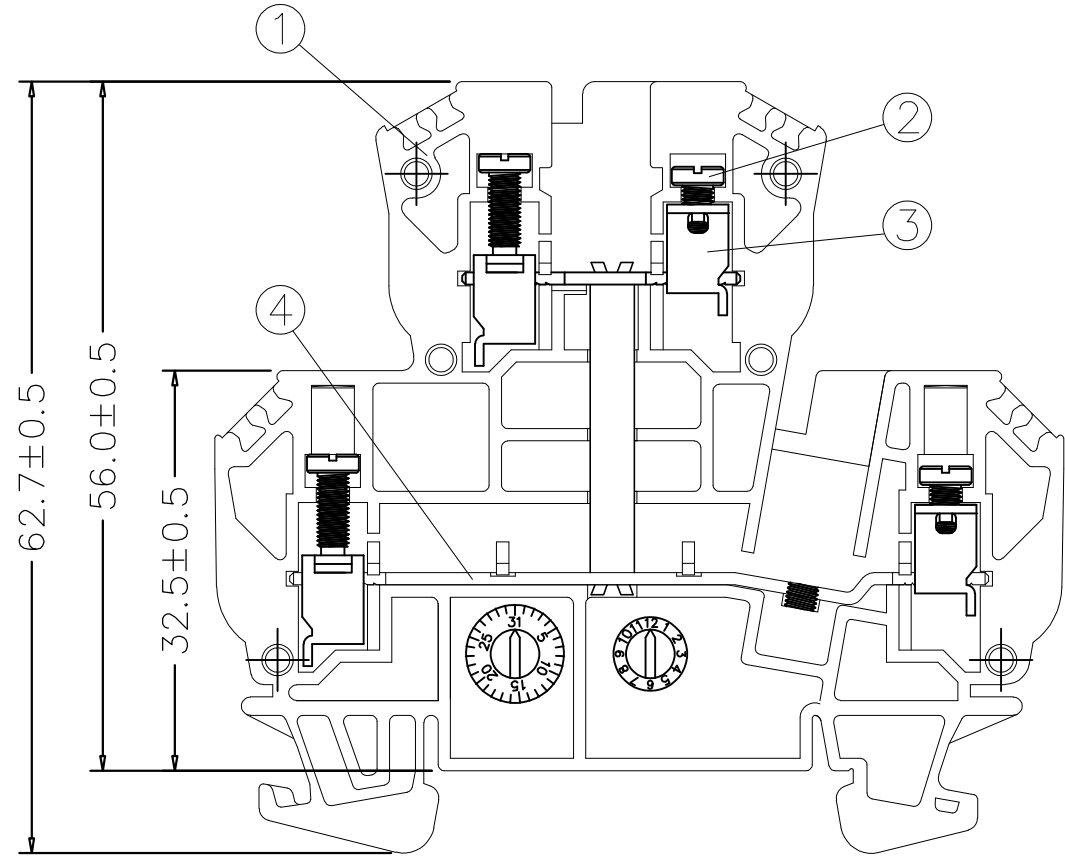
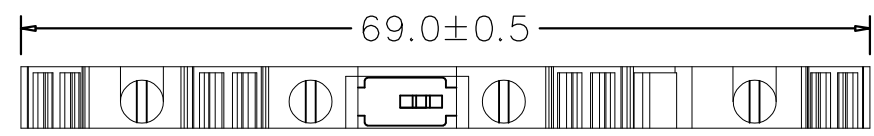


THIS DRAWING IS UNPUBLISHED. RELEASED FOR PUBLICATION
 © COPYRIGHT - By - ALL RIGHTS RESERVED.

REVISIONS					
P	LTR	DESCRIPTION	DATE	DWN	APVD
	A1	PER ECR-17-004967	25MAR2017	F.Y	X.X



NOTES:

1. Material: See table
2. Rated current & voltage : (UL)20Amp 600V , (IEC)20Amp 800V,
3. Impulse withstand voltage: 6KV
4. Screw Size torque: M2.6 , 5 lbs-in(0.57Nm)
5. Wire strip length: 8-10mm
6. Suitable wire size : (UL)24 - 12 AWG ,(IEC)0.33-2.5mm²
7. Requirement for environmental substance must be compliance with ROHS and REACH.

DTC 2.5DO	2271695-5	BLACK
	2271695-4	ORANGE
	2271695-3	RED
	2271695-2	BLUE
	2271695-1	GRAY
TE SERIES No.	PART NUMBER	COLOR

ITEM	COMPONENTS	MATERIAL	Q'TY	PLATING
4	TERMINAL	COPPER ALLOY	3	Tin Plated
3	CLAMP	STEEL	4	Zinc Plated
2	SCREW	STEEL	4	Zinc Plated
1	HOUSING	THERMOPLASTIC	1	

THIS DRAWING IS A CONTROLLED DOCUMENT.		DWN	FENCER YU	25MAR2017	TE Connectivity			
		CHK	XIANG XU	25MAR2017				
		APVD	XIANG XU	25MAR2017	NAME			
		PRODUCT SPEC			2.5mm ² WIRE 1 IN 1 OUT SCREW			
		APPLICATION SPEC			TWO LEVEL TYPE TERMINAL BLOCK ,INTER CONNECTION			
		MATERIAL			SIZE	CAGE CODE	DRAWING NO	RESTRICTED TO
		FINISH			A3	00779	C-2271695	-
		CUSTOMER DRAWING			WEIGHT	SCALE		SHEET
					12.5 g	1:1		1 OF 1
							REV	A1