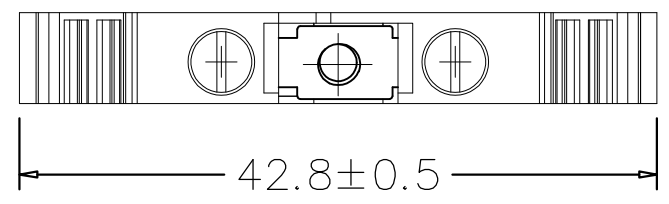
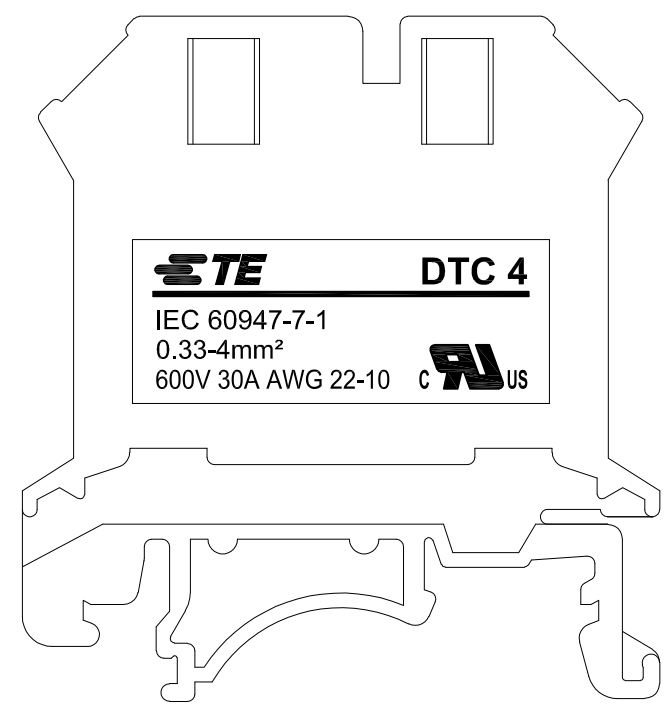
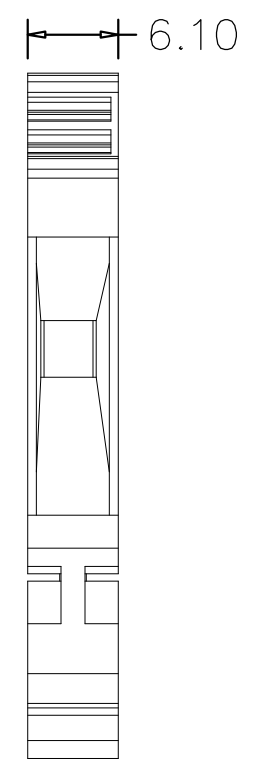
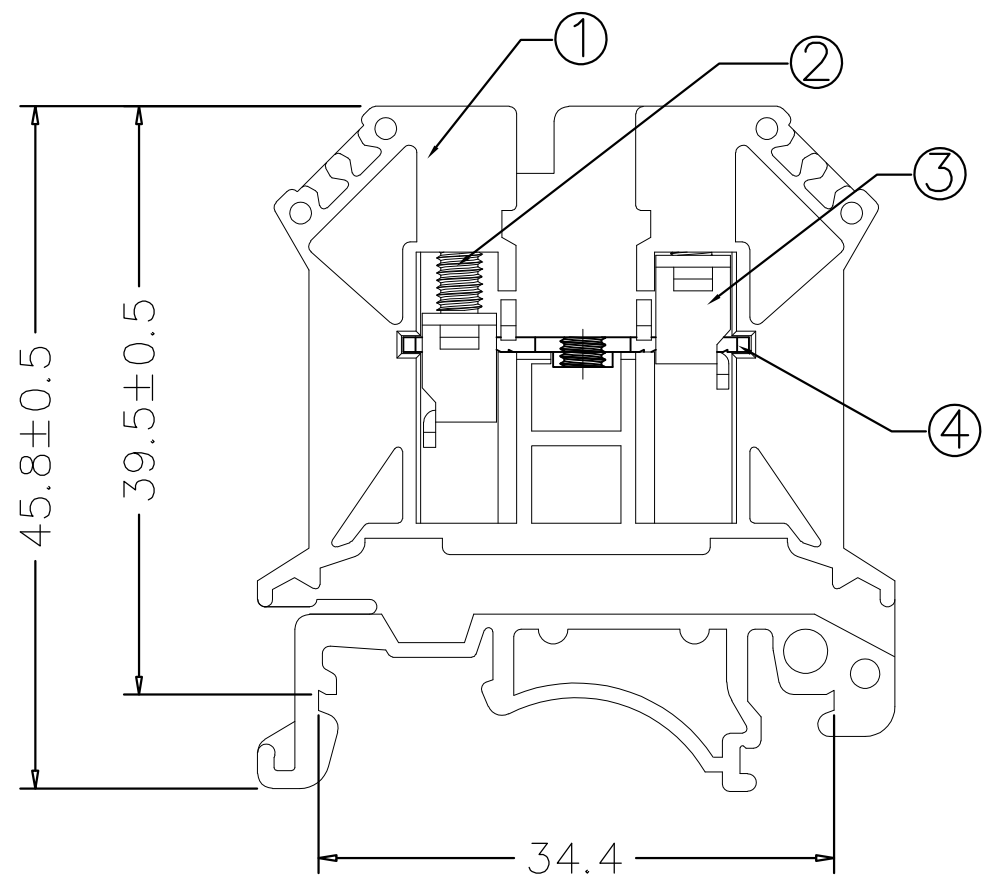


THIS DRAWING IS UNPUBLISHED. RELEASED FOR PUBLICATION
 © COPYRIGHT - By - ALL RIGHTS RESERVED.

REVISIONS				
P	LTR	DESCRIPTION	DATE	APVD
	A1	PER ECR-17-007805	7JUL2017	F.Y C.W



ITEM	COMPONENTS	MATERIAL	Q'TY	PLATING
4	TERMINAL	COPPER ALLOY	1	Tin Plated
3	CLAMP	STEEL	2	Zinc Plated
2	SCREW	STEEL	2	Zinc Plated
1	HOUSING	THERMOPLASTIC	1	



- NOTES:**
1. Material: See table
 2. Rated current & voltage : (UL)30Amp 600V , (IEC)32Amp 800V
 3. Impulse withstand voltage: 8KV
 4. Screw Size & torque: M3, 10 lbs-in(1.13Nm)
 5. Wire strip length: 8-10mm
 6. Suitable wire size : (UL)22 - 10 AWG , (IEC)0.33-4mm²
 7. Requirement for environmental substance must be compliance with ROHS and REACH.

DTC 4	2271680-5	BLACK
	2271680-4	ORANGE
	2271680-3	RED
	2271680-2	BLUE
	2271680-1	GRAY
TE SERIES No.	PART NUMBER	COLOR

THIS DRAWING IS A CONTROLLED DOCUMENT.		DWN FENCER YU 7JUL2017	TE Connectivity		
DIMENSIONS: mm		CHK CHRIS WANG 7JUL2017			
TOLERANCES UNLESS OTHERWISE SPECIFIED:		APVD CHRIS WANG 7JUL2017	NAME		
0 PLC ± 0.50 1 PLC ± 0.40 2 PLC ± 0.30 3 PLC ± - 4 PLC ± - ANGLES ± 3°		PRODUCT SPEC	4mm ² WIRE 1 IN 1 OUT SCREW TYPE TERMINAL BLOCK		
MATERIAL		APPLICATION SPEC	RESTRICTED TO		
FINISH		108-137172	SIZE	CAGE CODE	DRAWING NO
		114-137172	A3	00779	C-2271680
		WEIGHT 7.5 g	SCALE 1:1 SHEET 1 OF 1 REV A1		
		CUSTOMER DRAWING			