

4

3

2

1

THIS DRAWING IS UNPUBLISHED.

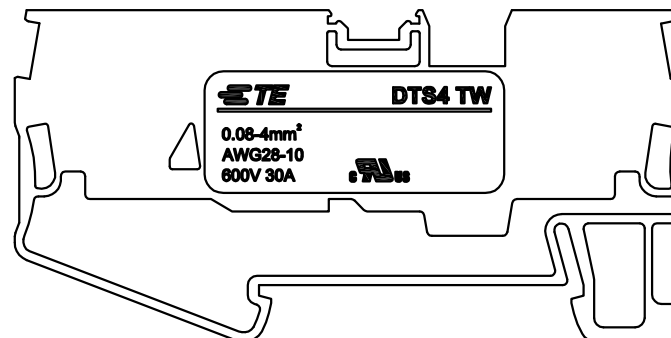
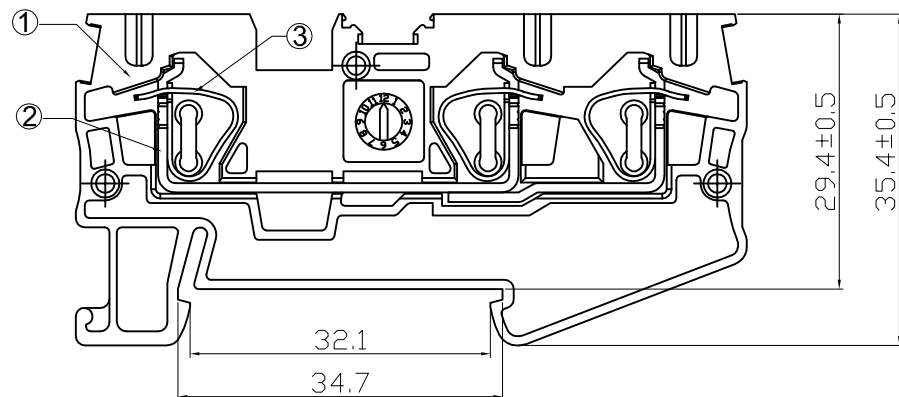
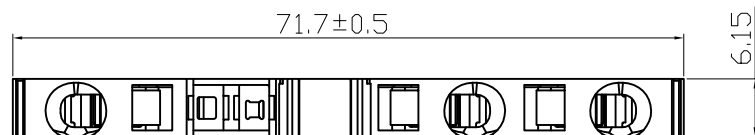
RELEASED FOR PUBLICATION

ALL RIGHTS RESERVED.

© COPYRIGHT - By -

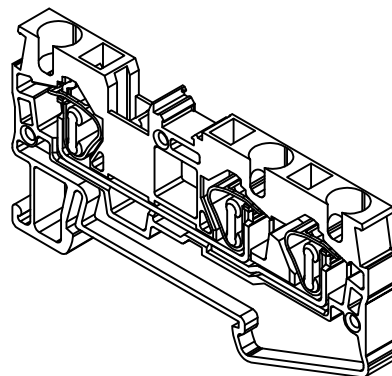
REVISIONS

P	LTR	DESCRIPTION	DATE	DWN	APVD
	A	OFFICIAL VERSION RELEASED	20SEP2015	F.Y	X.X
	A1	PER ECR-15-015708	28OCT2015	F.Y	X.X
	A2	PER ECR-16-006247	16JUN2016	F.Y	X.X



NOTE:

1. Material: See Table
2. Rated current & voltage : 30Amp 600V
3. Rated surge voltage: 8KV
4. Operation temperature : -40°C to +105°C
5. Wire strip length: 8mm -10mm
6. Suitable wire size : 28 - 10AWG
7. Requirement for environmental substance must be compliance with ROHS and REACH.
8. Recommended support rail requirements refer to 114 application specification.



DTS4 TW	2271560-5	BLACK
	2271560-4	RED
	2271560-3	ORANGE
	2271560-2	BLUE
	2271560-1	GRAY
TE SERIES No.	PART NUMBER	COLOR

ITEM	COMPONENTS	MATERIAL	QTY	PLATING
3	SPRING CLAMP	STAINLESS STEEL	3	
2	TERMINAL	COPPER	1	Tin Plated
1	HOUSING	THERMOPLASTIC	1	

DIMENSIONS:		TOLERANCES UNLESS OTHERWISE SPECIFIED:		DWN		FENCER YU		16JUN2016	
mm		0 PLC	± 0.50	CHK		KOBBY ZHAO		16JUN2016	
		1 PLC	± 0.35	APVD		XIANG XU		16JUN2016	
		2 PLC	± 0.30	PRODUCT SPEC		108-137138		NAME	
		3 PLC	± -	APPLICATION SPEC		114-137138		4mm ² WIRE 1 IN 2 OUT SPRING CLAMP TYPE TERMINAL BLOCK	
		4 PLC	± -	MATERIAL		-		SIZE	
		ANGLES	± 3°	FINISH		-		CAGE CODE	
								DRAWING NO	
								RESTRICTED TO	
								A300779	
								C=2271560	
								SCALE	
								1:1	
								SHEET	
								1 OF 1	
								REV	
								A2	
								CUSTOMER DRAWING	