

4

3

2

1

THIS DRAWING IS UNPUBLISHED.

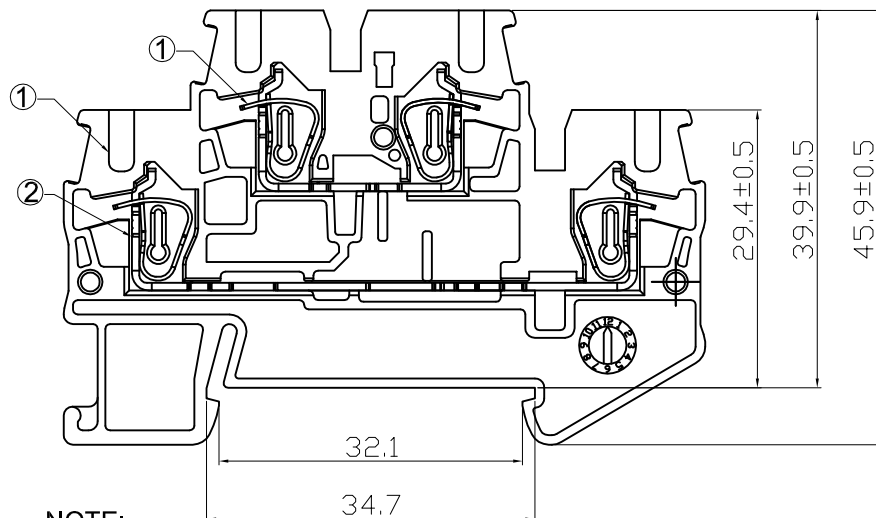
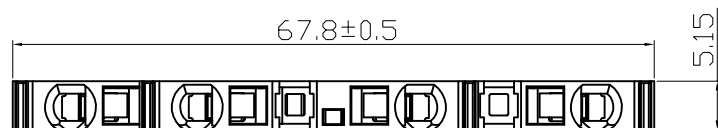
RELEASED FOR PUBLICATION

ALL RIGHTS RESERVED.

© COPYRIGHT - By -

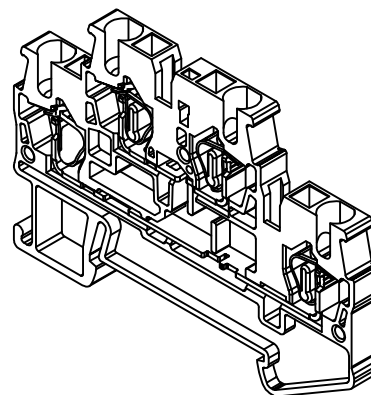
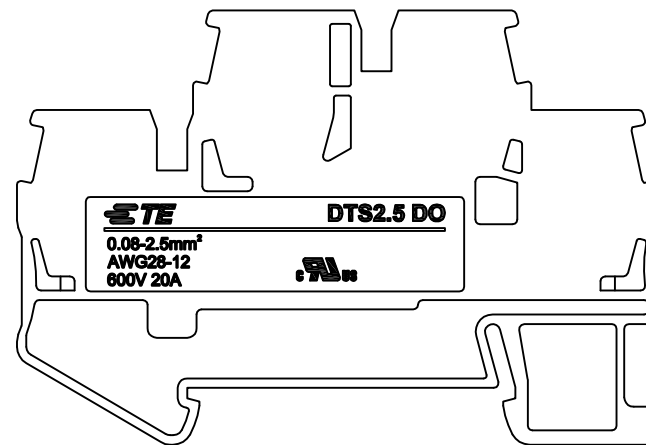
REVISIONS

P	LTR	DESCRIPTION	DATE	DWN	APVD
	A	OFFICIAL VERSION RELEASED	20SEP2015	F.Y	X.X
	A1	PER ECR-15-015708	28OCT2015	F.Y	X.X
	A2	PER ECR-16-006247	16JUN2016	F.Y	X.X



NOTE:

1. Material: See Table
2. Rated current & voltage : 20Amp 600V
3. Rated surge voltage: 6KV
4. Operation temperature : -40°C to +105°C
5. Wire strip length: 8mm -10mm
6. Suitable wire size : 28 - 12AWG
7. Requirement for environmental substance must be compliance with ROHS and REACH.
8. Recommended support rail requirements refer to 114 application specification.



DTS2.5 DO	2271558-2	BLUE
	2271558-1	GRAY
TE SERIES No.	PART NUMBER	COLOR

ITEM	COMPONENTS	MATERIAL	Q'TY	PLATING
3	SPRING CLAMP	STAINLESS STEEL	4	
2	TERMINAL	COPPER	2	Tin Plated
1	HOUSING	THERMOPLASTIC	1	

DIMENSIONS:		TOLERANCES UNLESS OTHERWISE SPECIFIED:		DWN		16JUN2016		FENCER YU	
mm		0 PLC	± 0.50	CHK		16JUN2016		KOBBOY ZHAO	
		1 PLC	± 0.35	APVD		16JUN2016		NAME	
		2 PLC	± 0.30	PRODUCT SPEC		XIANG XU		2.5mm ² WIRE TWO LEVEL 1 IN 1 OUT	
		3 PLC	±	APPLICATION SPEC		108-137138		SPRING CLAMP TYPE TERMINAL BLOCK	
		4 PLC	±			114-137138			
		ANGLES	± 3'	MATERIAL		WEIGHT		SIZE	
		FINISH		-		0.000000		A3 00779	
						CUSTOMER DRAWING		CAGE CODE	
								DRAWING NO	
								RESTRICTED TO	
								SCALE	
								SHEET	
								REV	
								A2	

2.5mm² WIRE TWO LEVEL 1 IN 1 OUT
SPRING CLAMP TYPE TERMINAL BLOCK

SIZE A3 00779 CAGE CODE C=2271558

SCALE 1:1 SHEET 1 OF 1 REV A2